

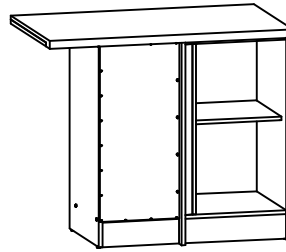
Junona Line

K22-DNW/100/82-L/P

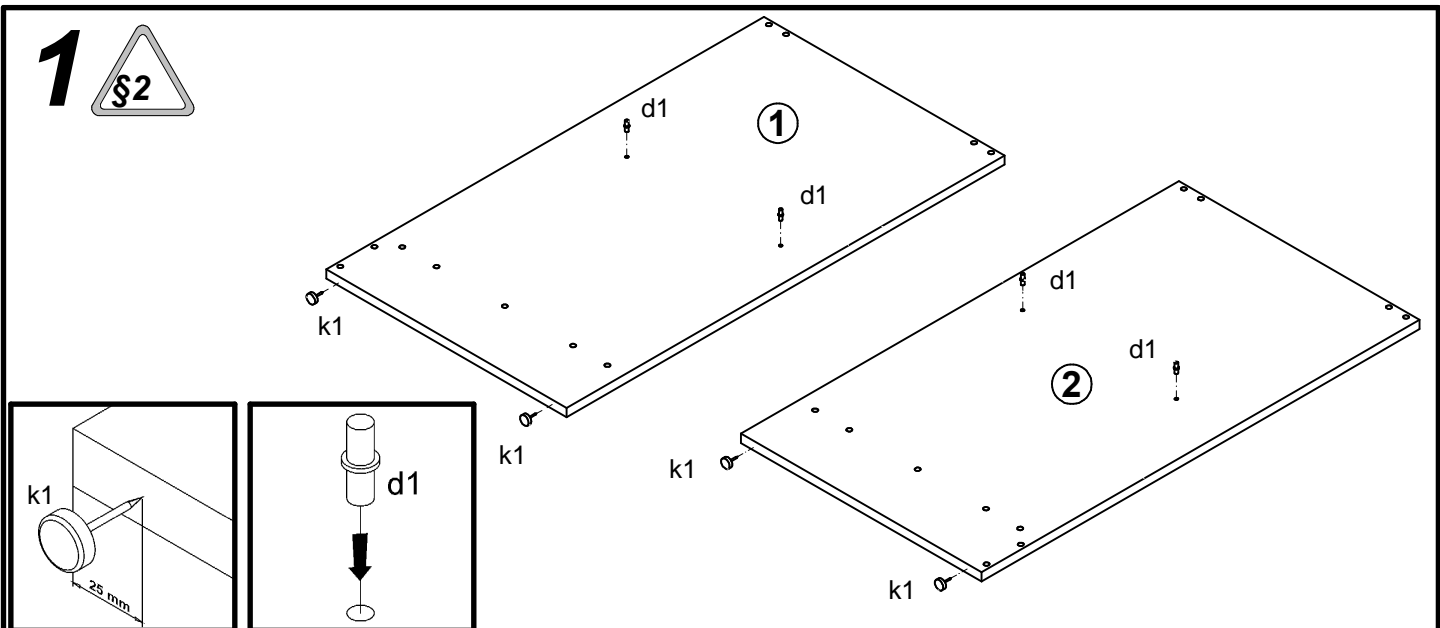
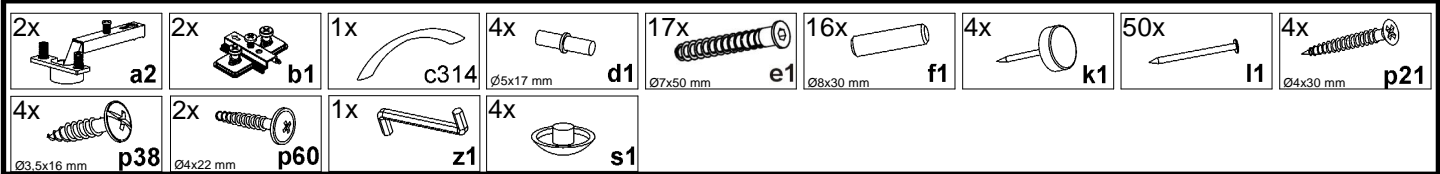
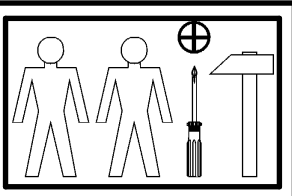
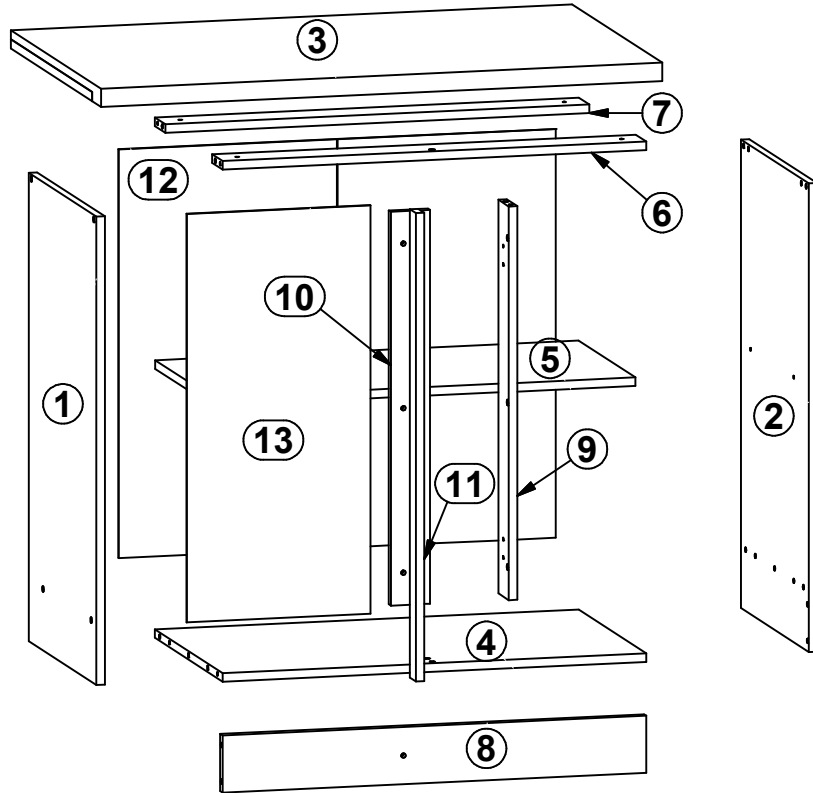
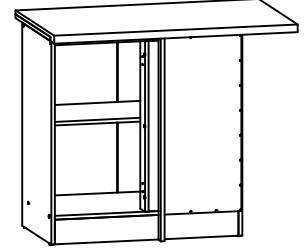
A	B	C	D	
1	K22-105	820	450	1/3
2	K22-106	820	450	1/3
3	K22-202	1000	600	2/3
4	K22-305	755	450	1/3
5	K22-306	754	378	1/3
6	K22-405	755	70	1/3
7	K22-406	755	70	1/3
8	K22-407	755	100	1/3
9	K22-408	689	70	1/3
10	K22-409	689	70	1/3
11	K22-410	820	40	1/3
12	K22-903	715	779	1/3
13	K22-905	715	327	1/3



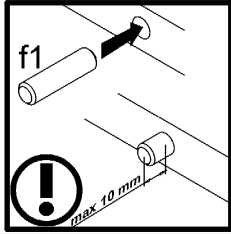
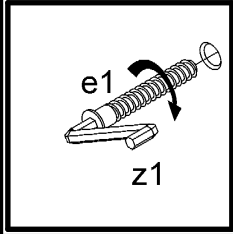
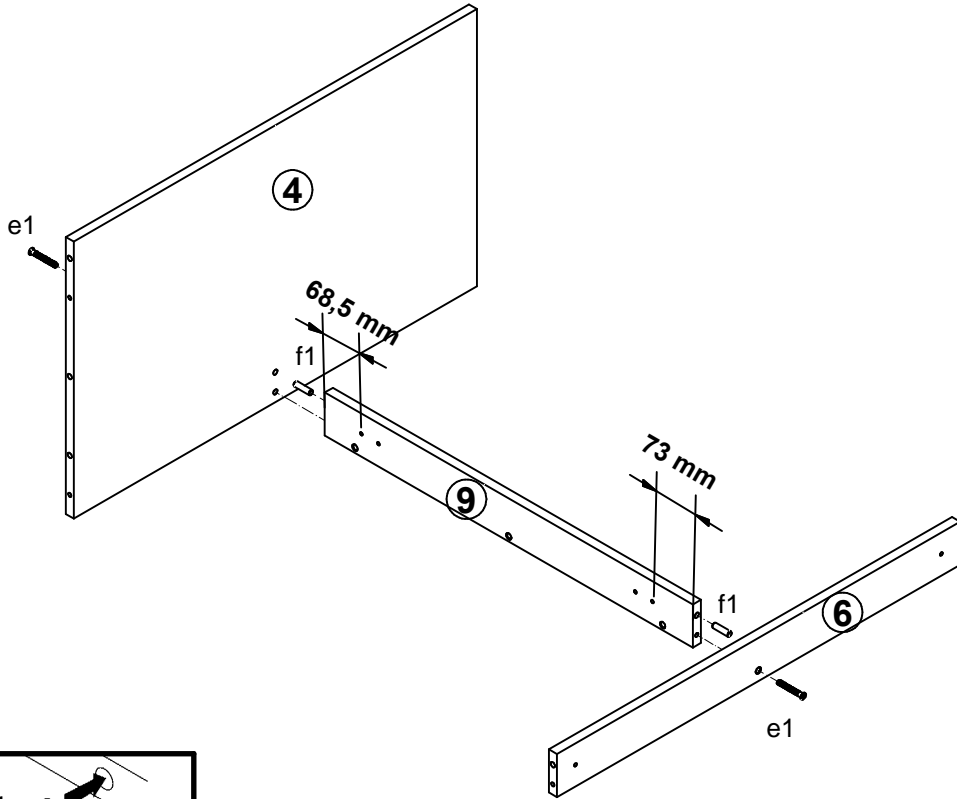
K22-DNW_100_82-L



K22-DNW_100_82-P



2



3

