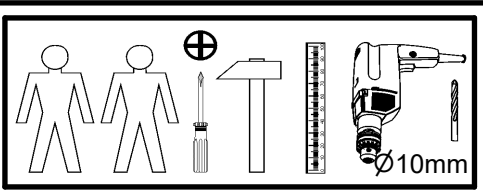
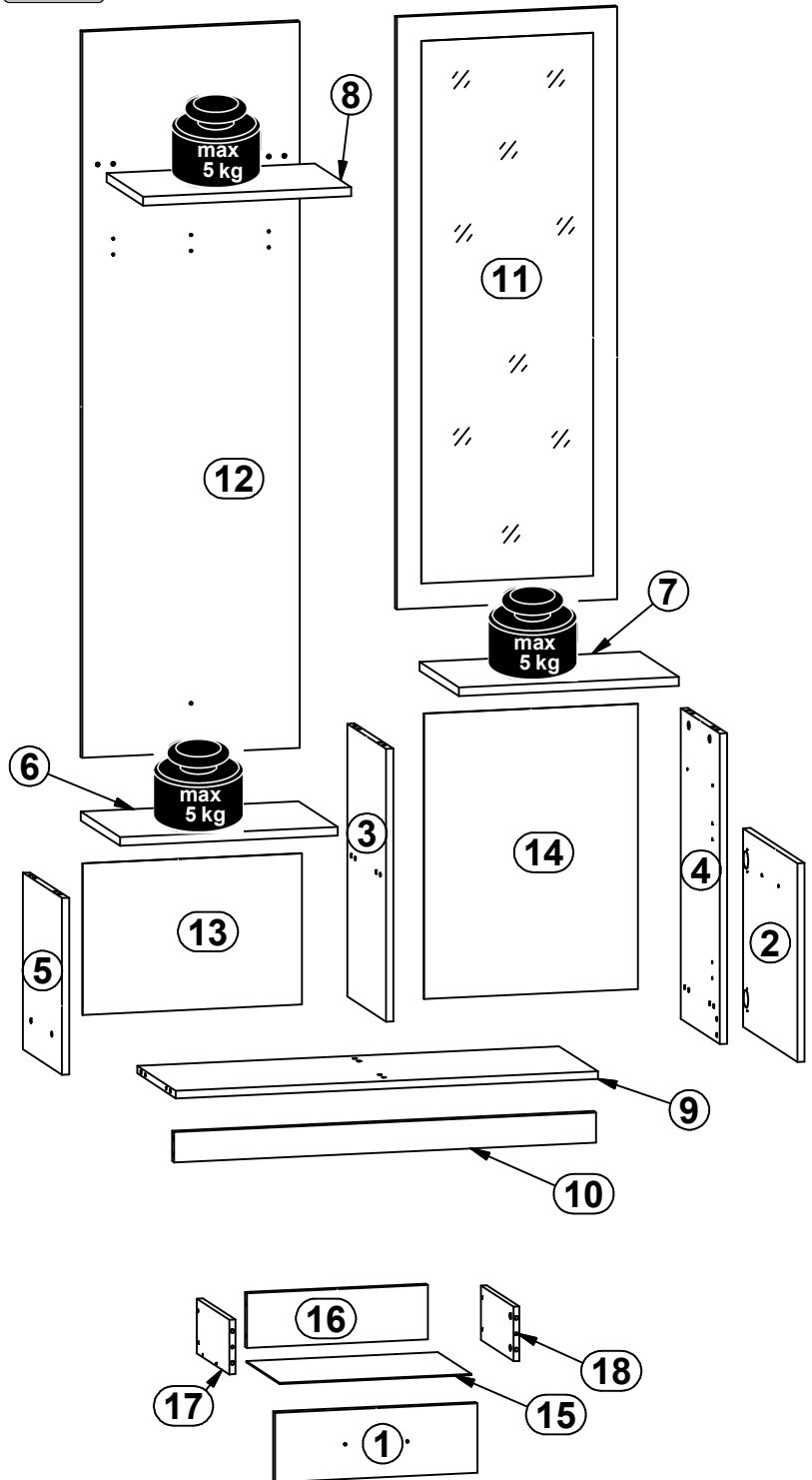
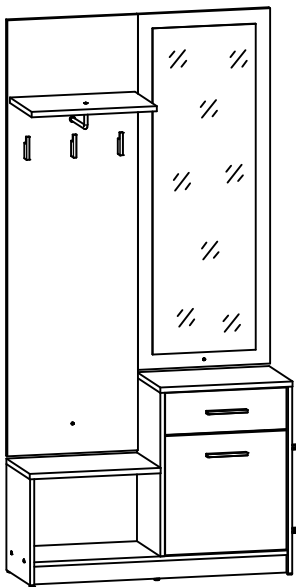
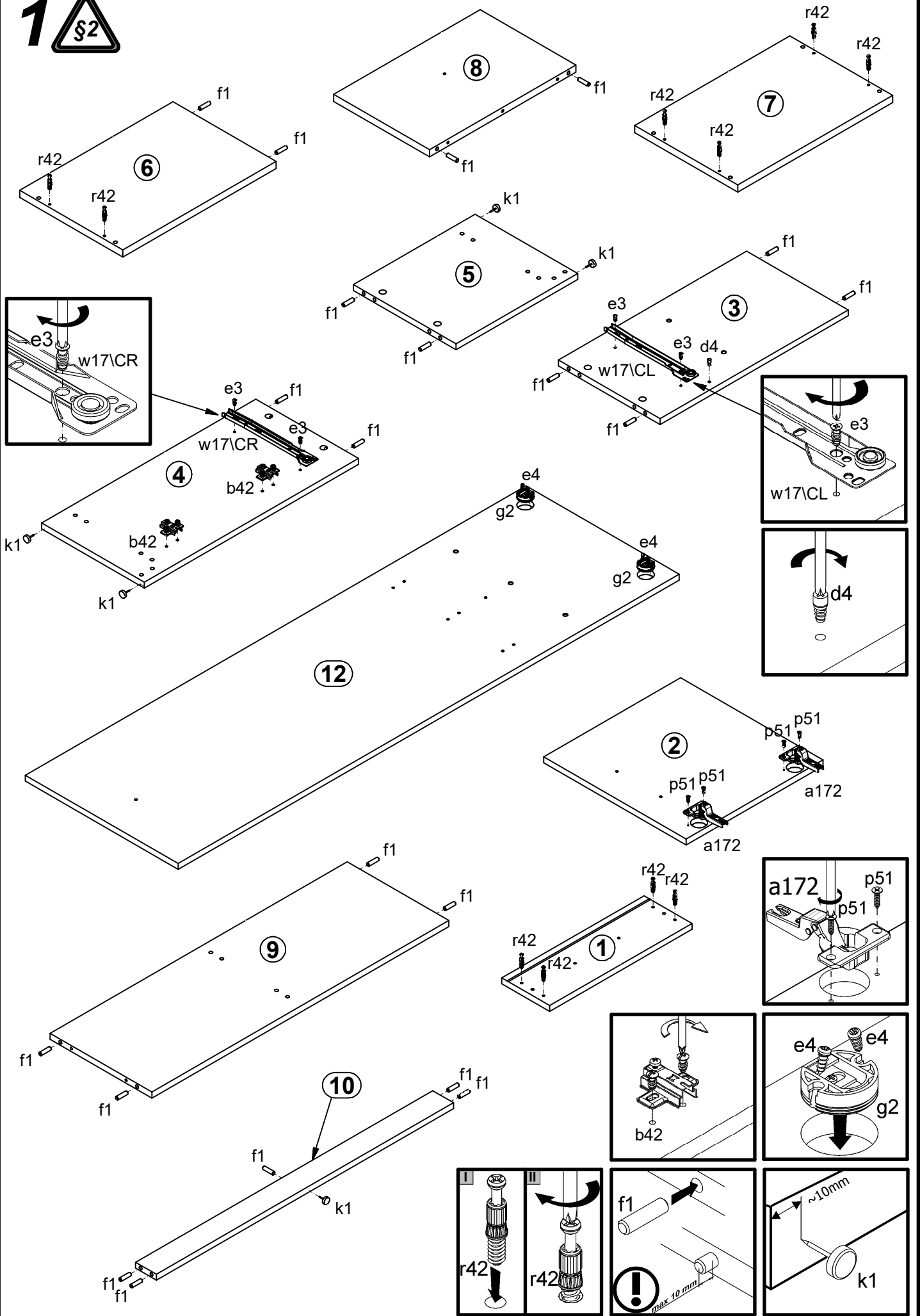


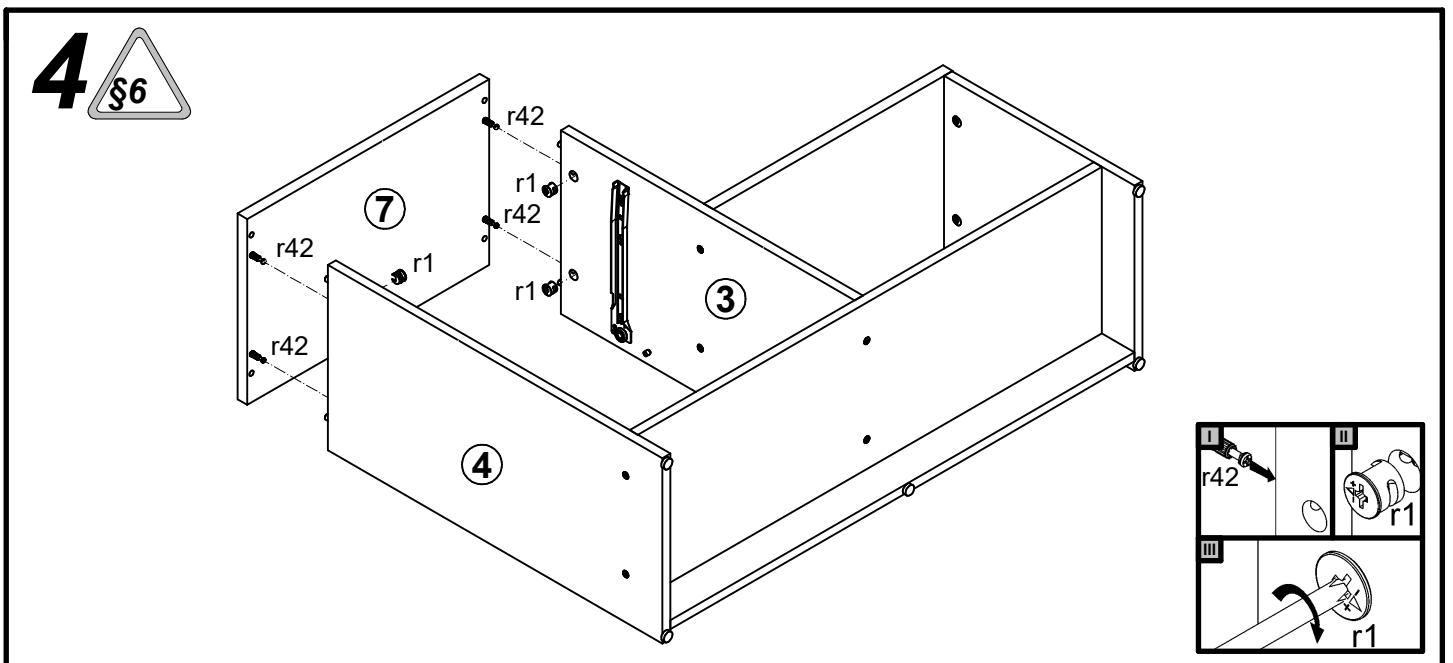
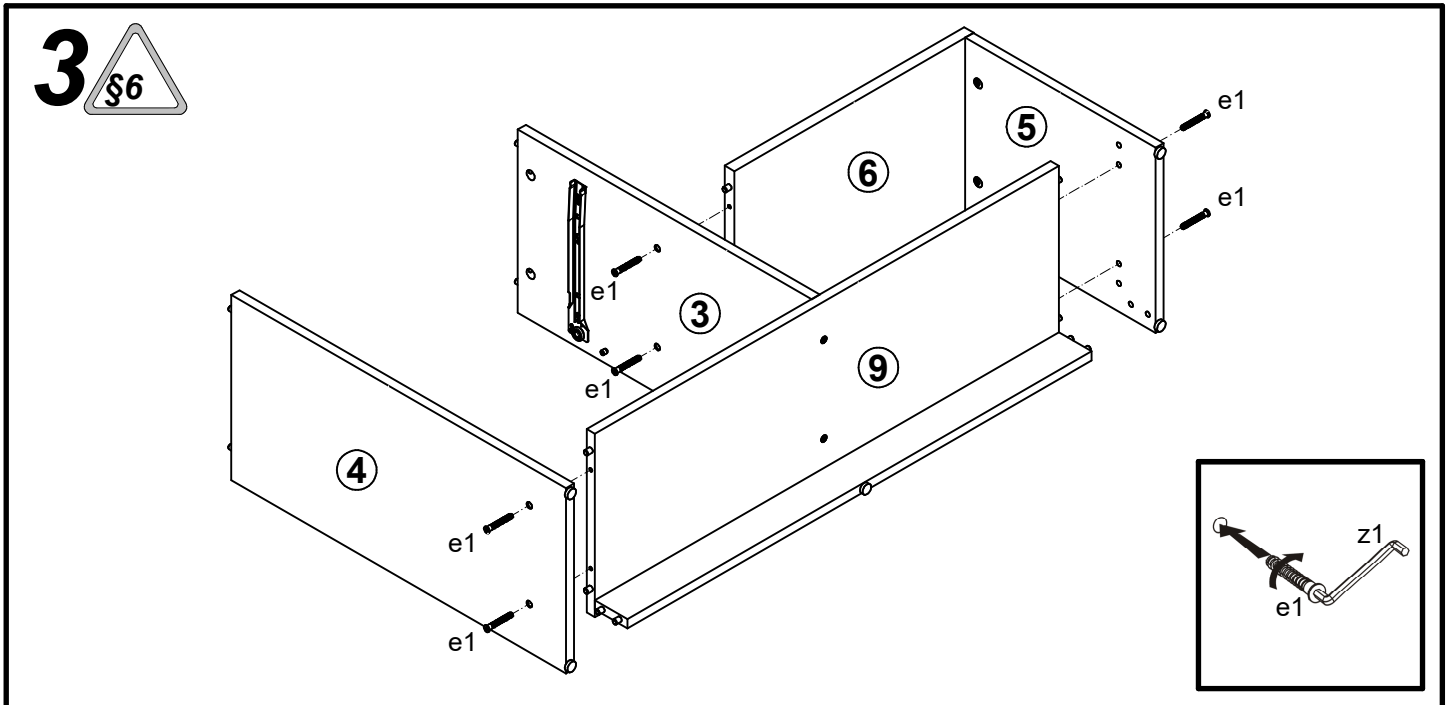
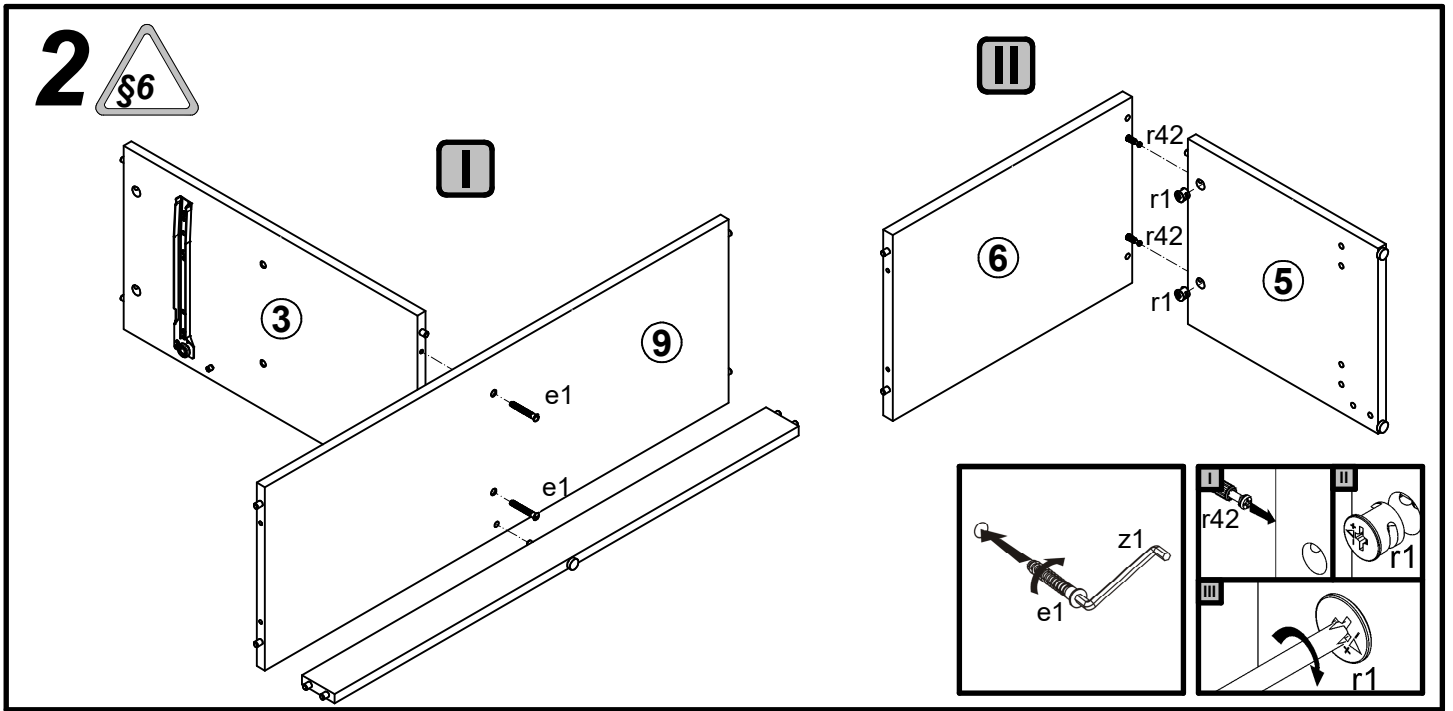
A	B	C	D	
1	S435-0027	416	140	2/2
2	S435-0028	400	416	2/2
3	S435-1040	550	297	1/2
4	S435-1041	626	300	1/2
5	S435-1042	356	300	1/2
6	S435-2016	448	301	1/2
7	S435-2017	453	301	1/2
8	S435-3030	428	280	1/2
9	S435-3031	868	297	1/2
10	S435-4046	868	61	1/2
11	S435-4047	1194	453	1/2
12	S435-4048	1464	447	1/2
13	S435-9012	305	451	1/2
14	S435-9013	575	440	1/2
15	S435-9014	394	257	1/2
16	ZS7-5009	372	110	1/2
17	S435-5059	250	110	1/2
18	S435-5060	250	110	1/2



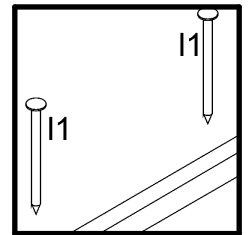
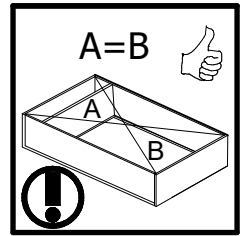
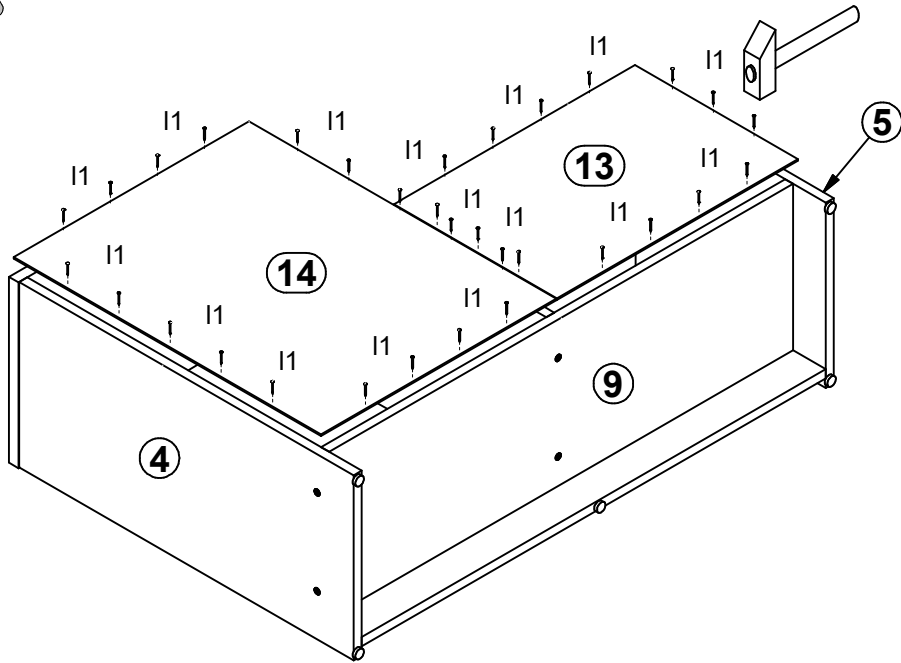
2x K18 Ø35 a172	2x b42	2x 128 mm c310	3x 32 mm c325	1x Ø6.3x15 mm d4	11x Ø7x50 mm e1	4x Ø5x9 mm e19	4x Ø6x13 mm e3	4x Ø5x11 mm e4
21x Ø8x30 mm f1	4x Ø6.5x40 mm f25	2x Ø6x30 mm f9	2x g2	1x g30	5x k1	35x 1.4x20 mm l1	8x Ø4x35 mm p26	3x Ø3.5x16 mm p38
4x Ø3.5x15 mm p51	4x Ø4x25 mm p87	6x Ø15x12 mm #16 r1	4x Ø12x10.5 mm #12 r15	10x 20/11 r42	1x 250 mm w17\CL	1x 250 mm w17\CR	1x 250 mm w17\DL	1x 250 mm w17\DR
6x s1	2x Ø16 s2	2x Ø14x0.5 mm s59	1x 4 mm z1	2x Ø4x45 mm p62	2x Ø6x30 mm f50	4x Ø10x50 mm f35	4x Ø6x80 mm p75	

1 

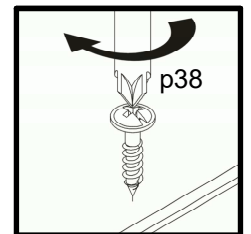
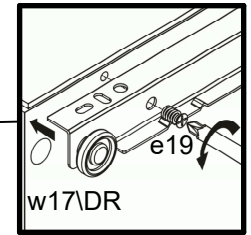
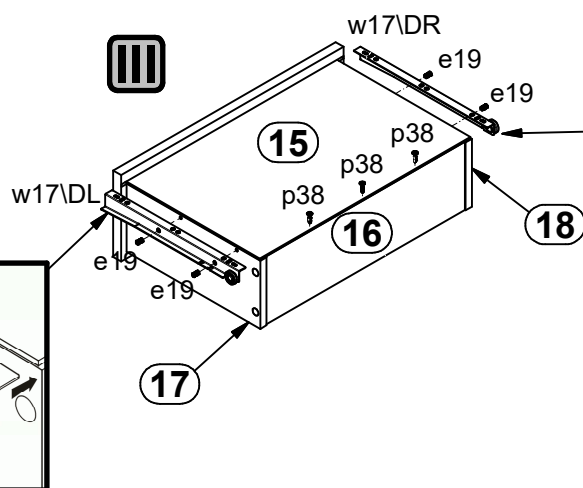
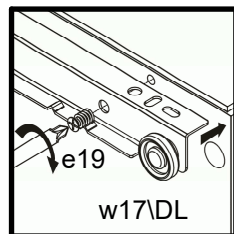
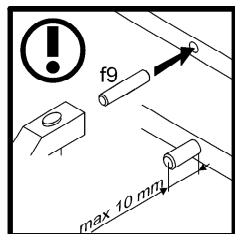
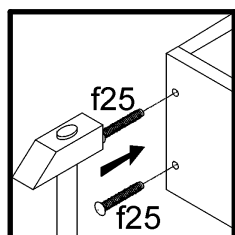
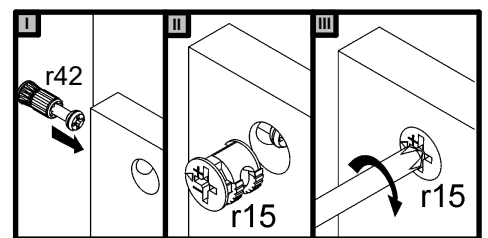
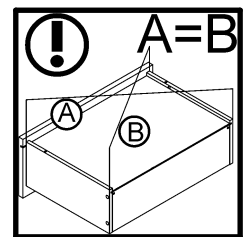
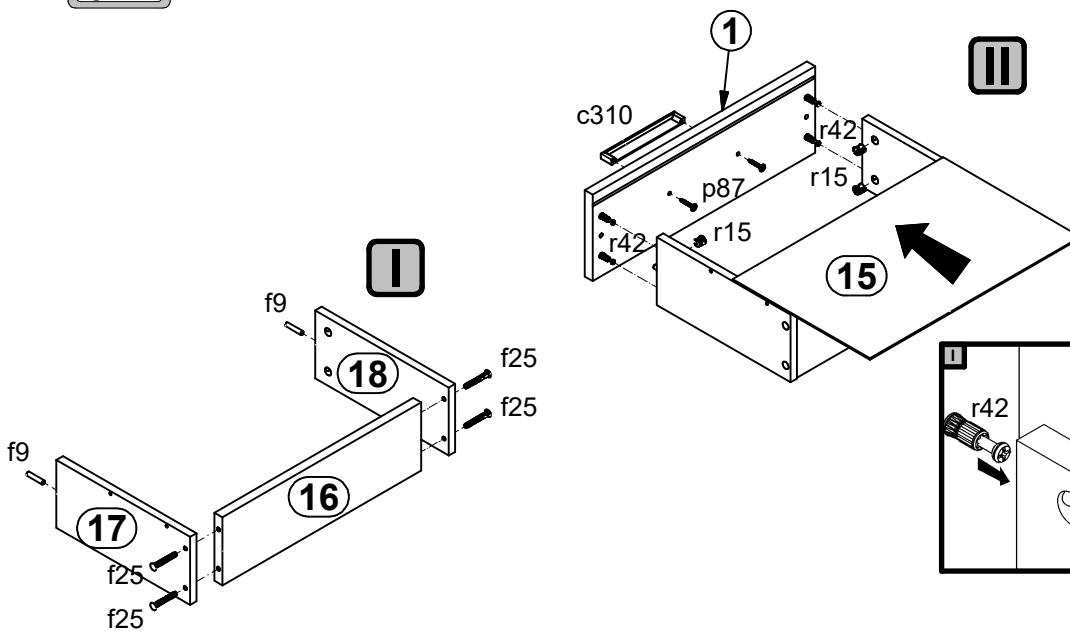




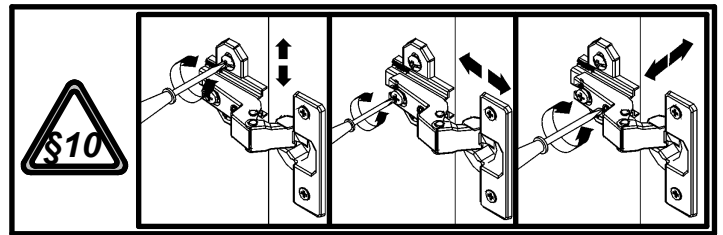
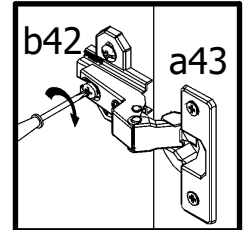
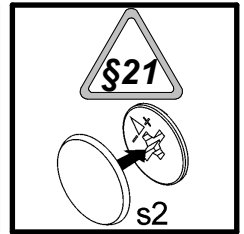
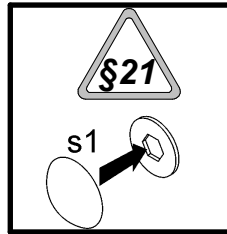
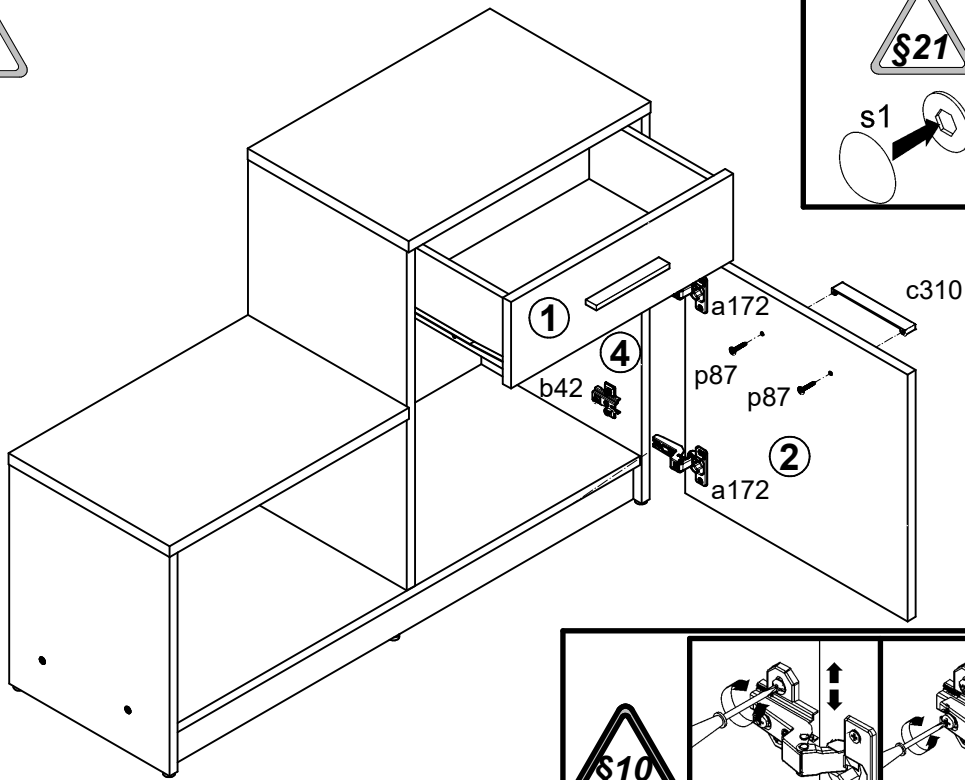
**5** 



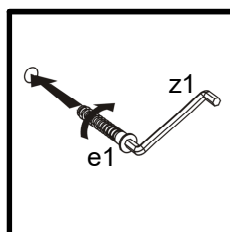
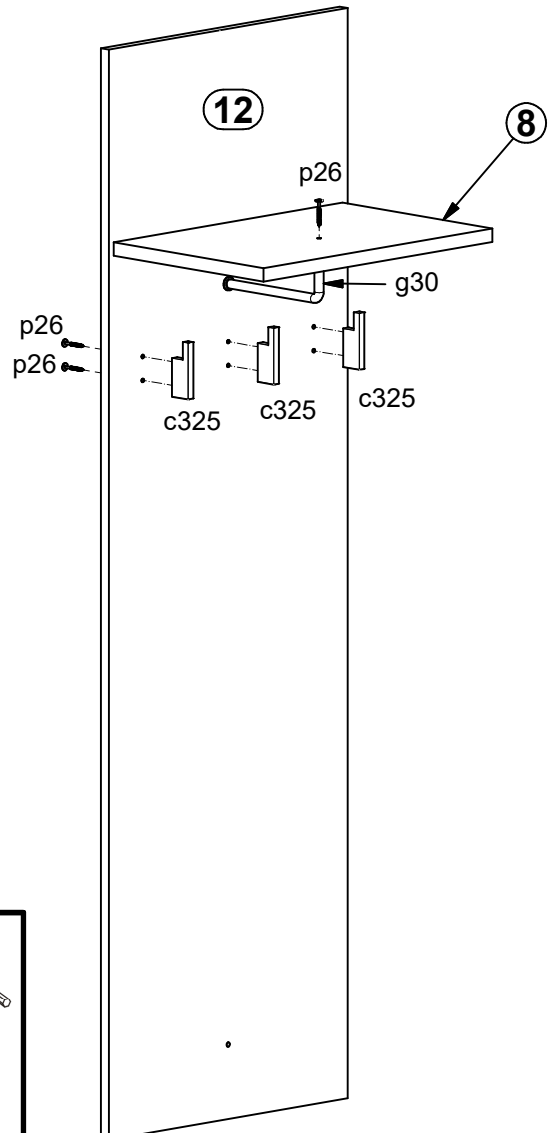
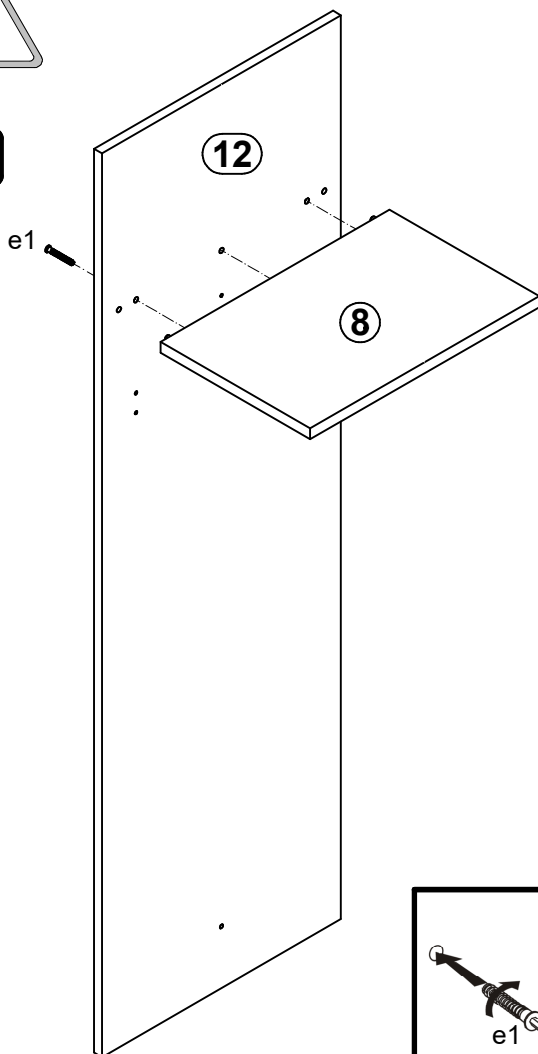
**6** 



7 §6



8 §6



9

