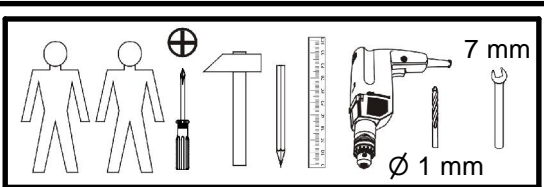
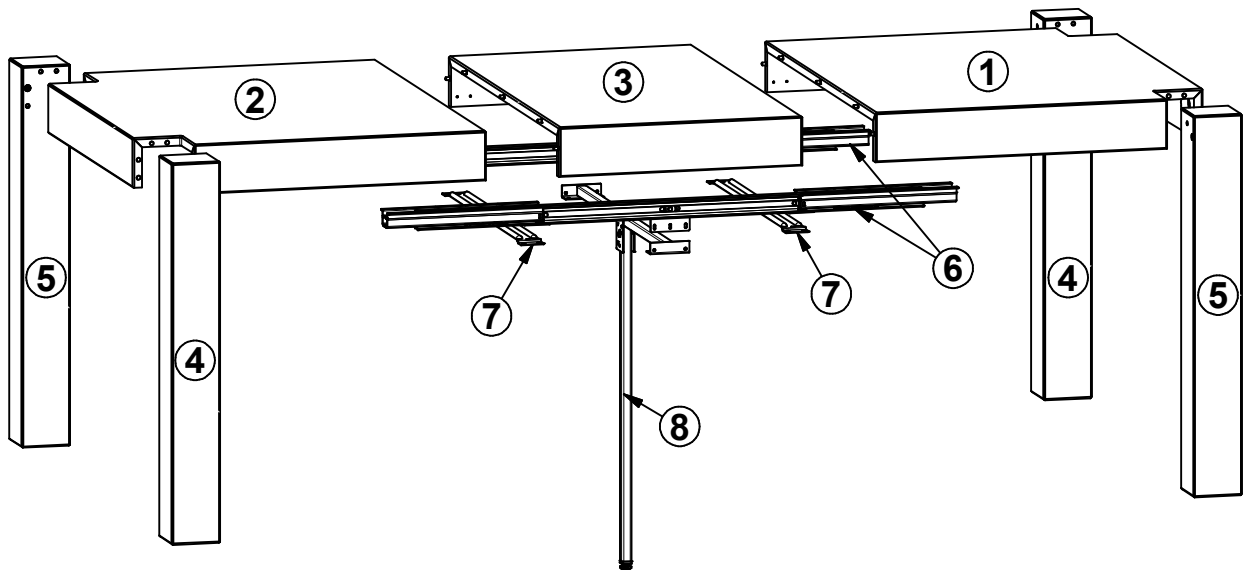
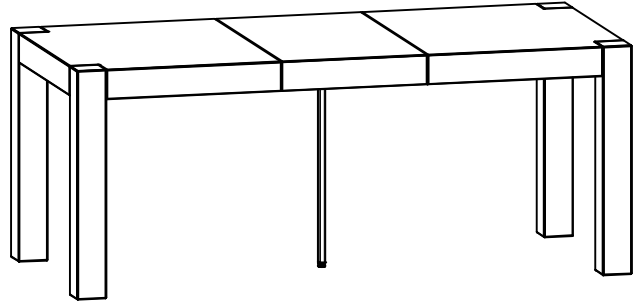
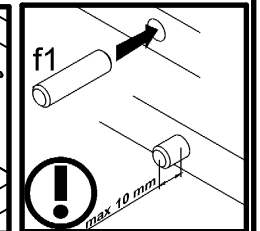
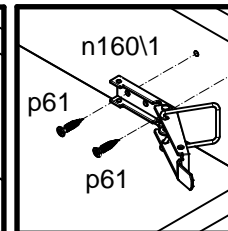
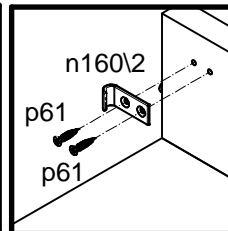
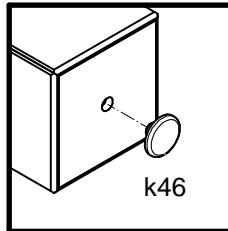
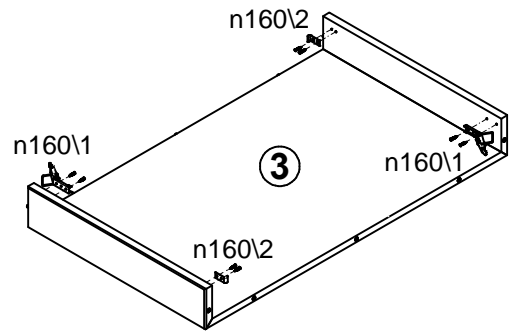
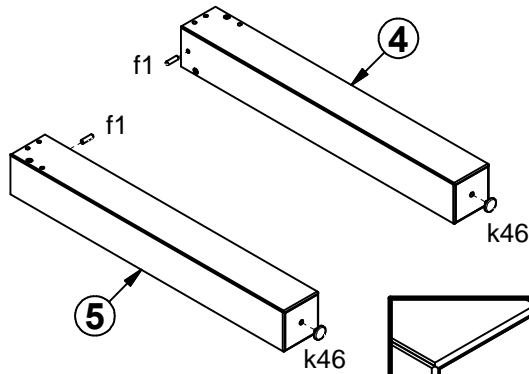
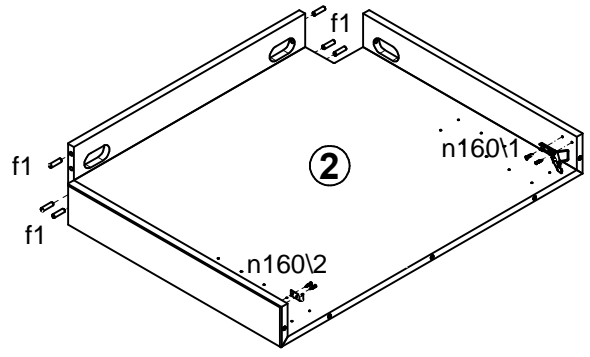
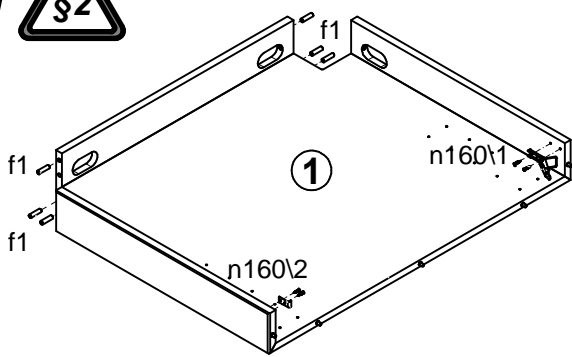


A	B	C		D
1	D09001-201	850	700	1/3
2	D09001-202	850	700	1/3
3	D09001-203	850	500	2/3
4	TS1-160	770	100	2/3
5	TS1-161	770	100	2/3
6	w111\7	1040		3/3
7	w111\8	607		3/3
8	w111\9	717		3/3

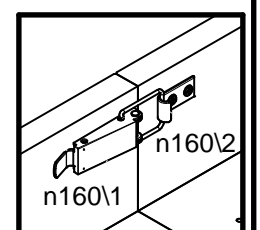
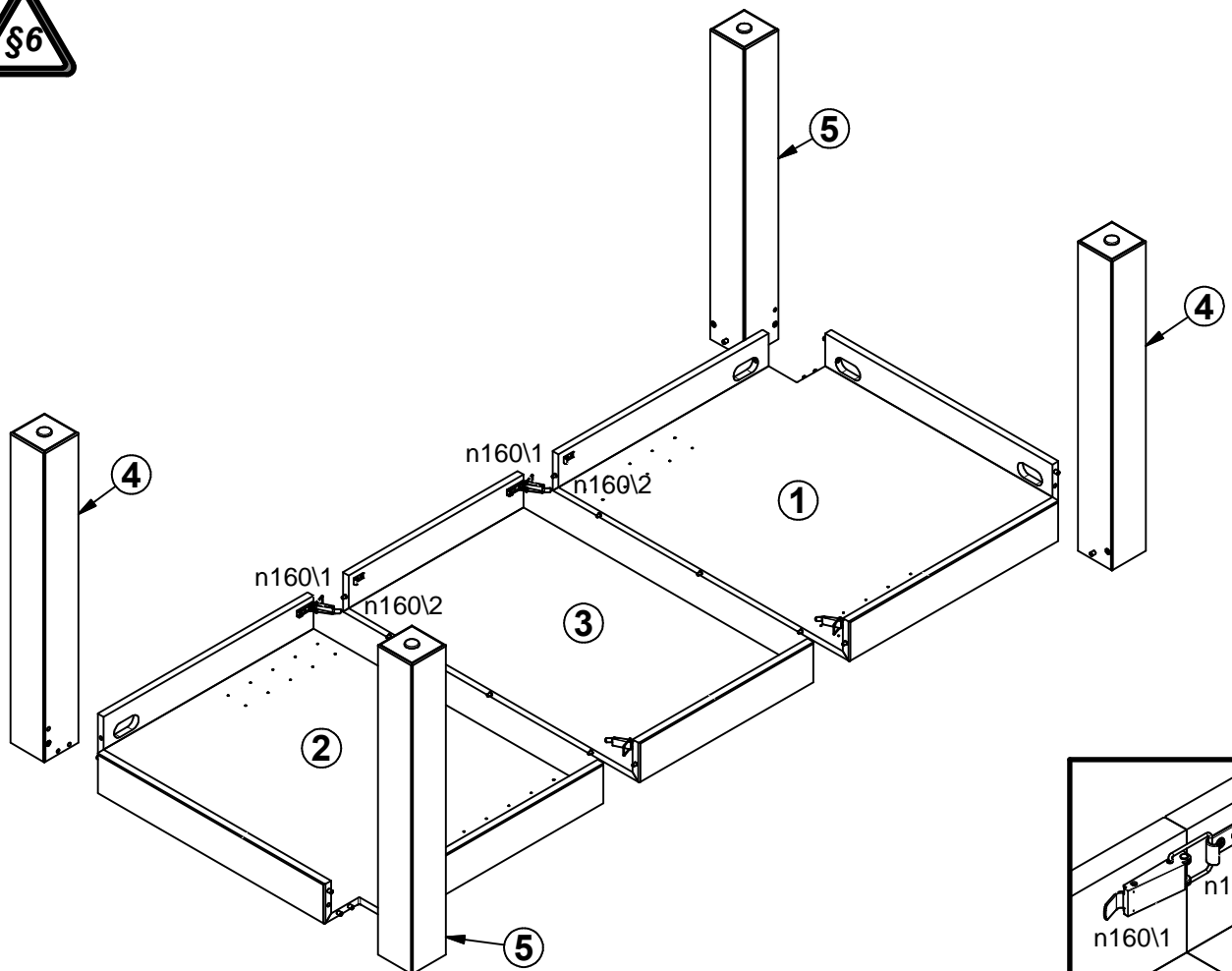


16x Ø8x30 mm f1	8x M6x60 mm j104	12x M4x9 mm j2	12x M4 j79	4x k46	4x n160\1	4x n160\2	12x Ø5/Ø10x1,2 mm o24	8x o61
16x Ø3,5x16 mm p61	40x Ø4x16 mm p69	1x w111\4	1x w111\5	1x 5 mm z17				

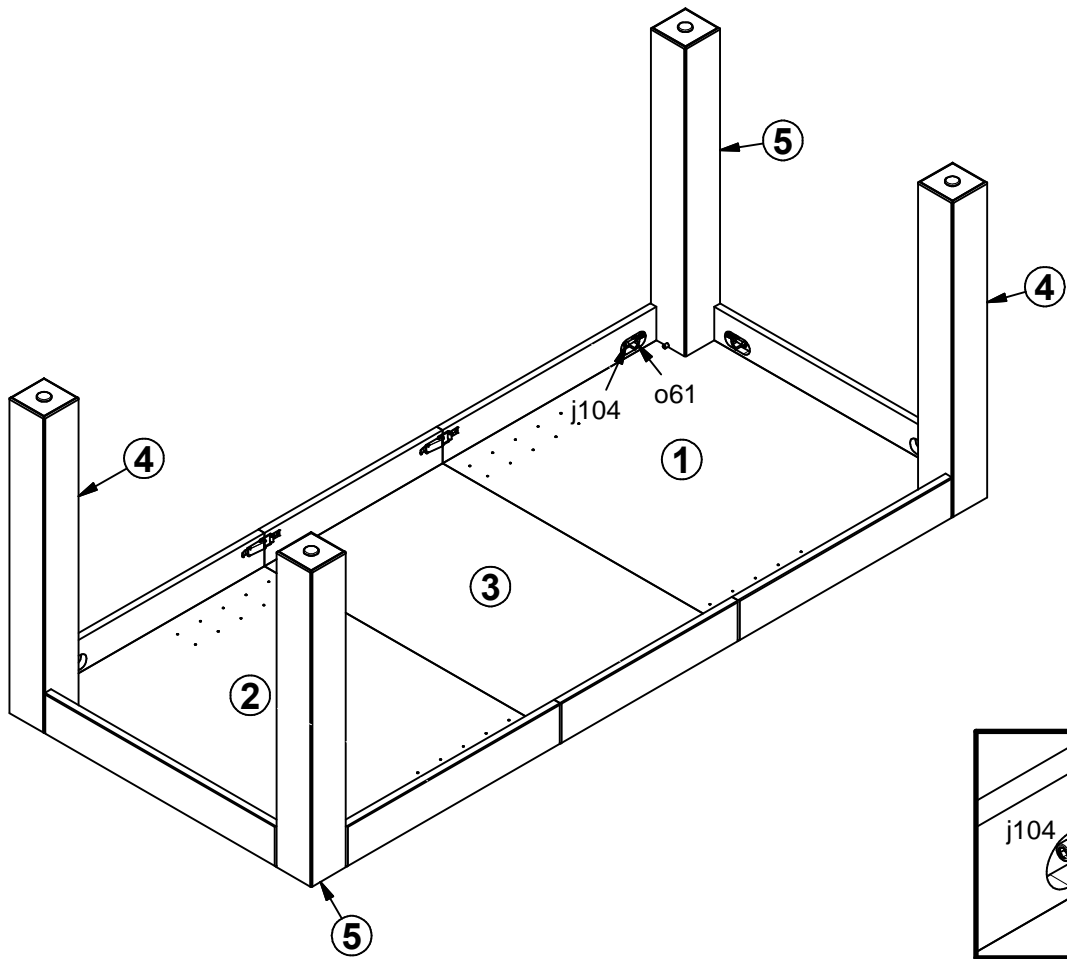
1



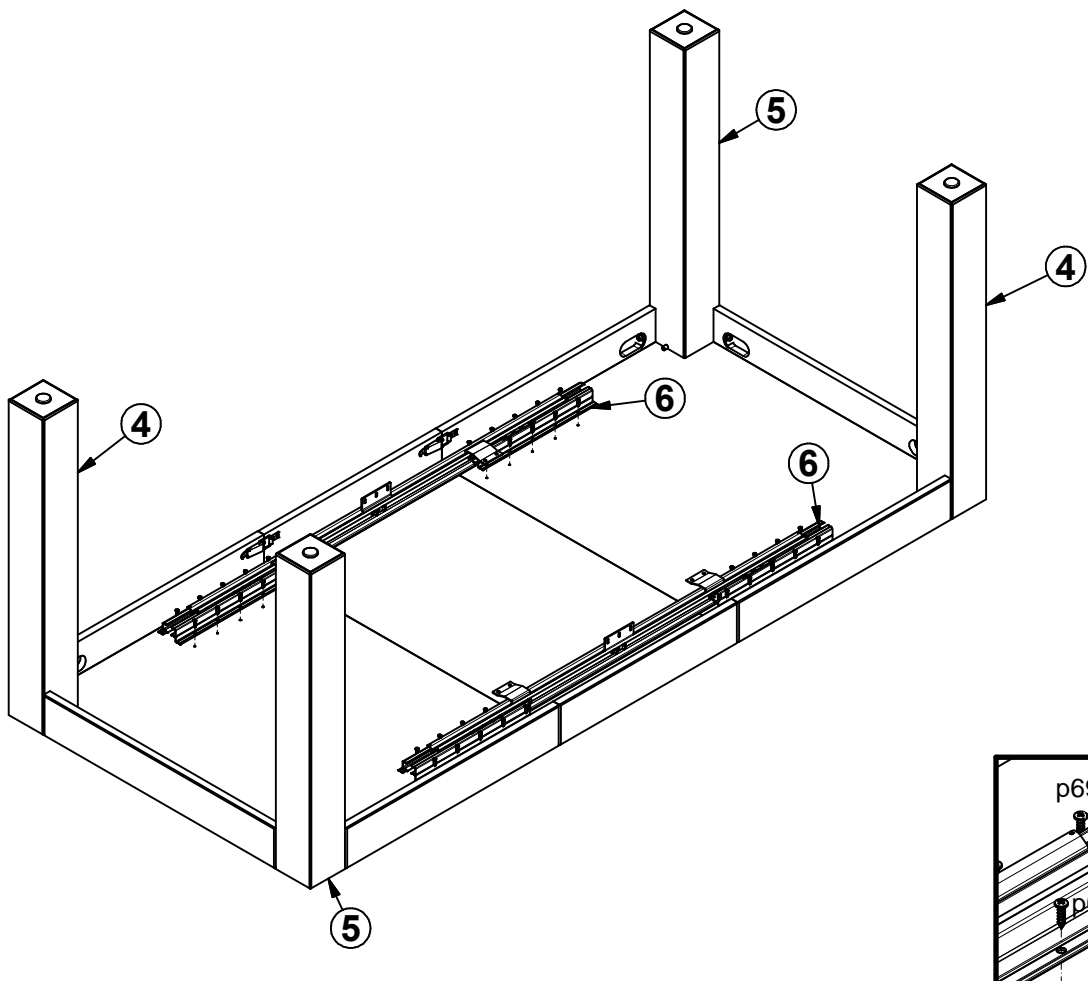
2



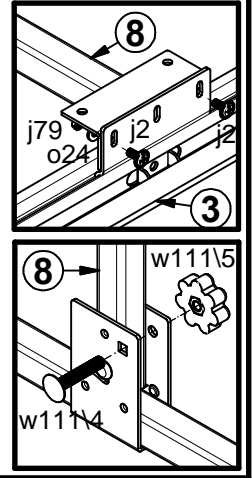
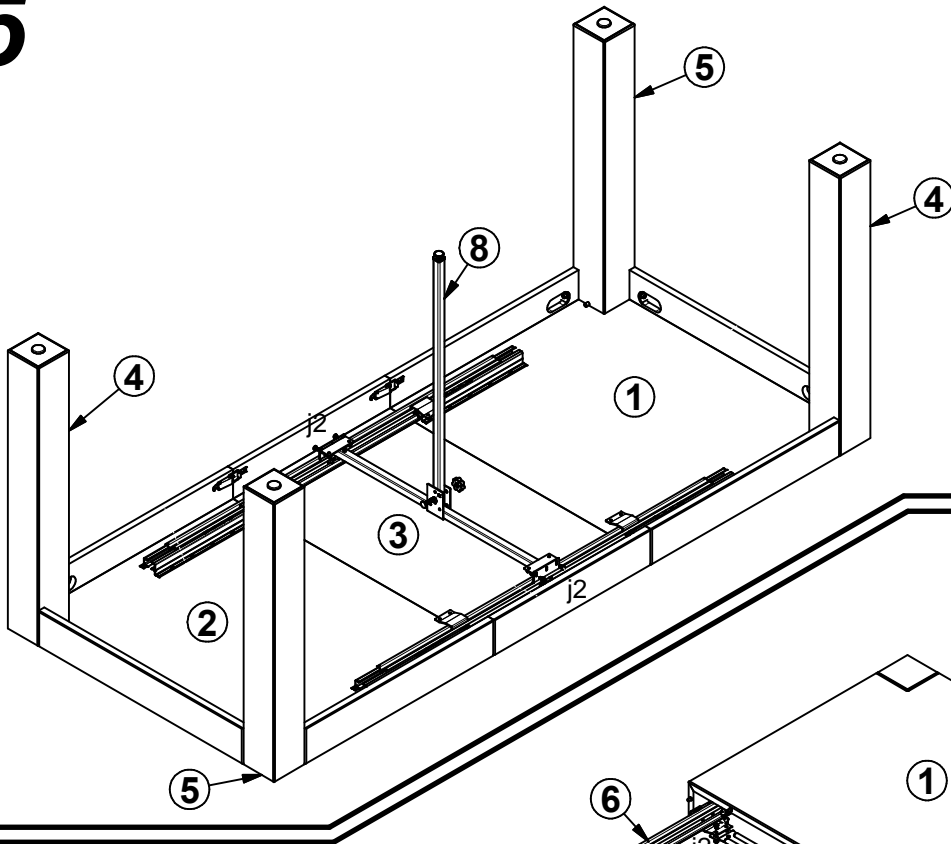
3



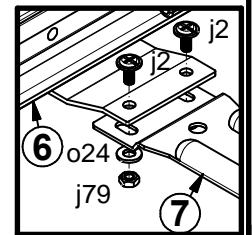
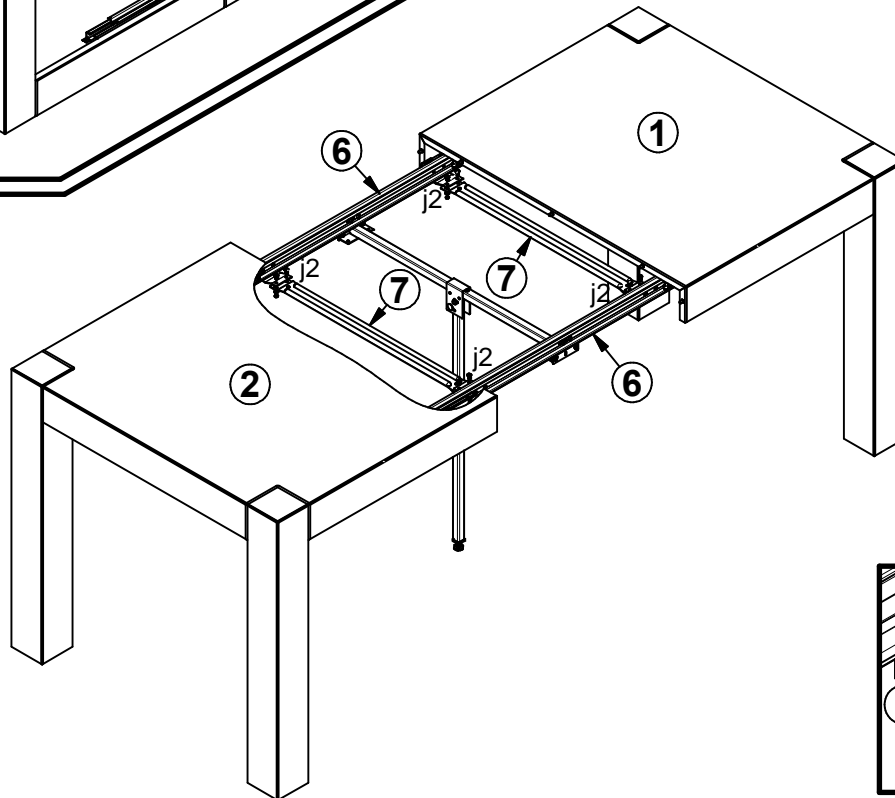
4



5



6



7

