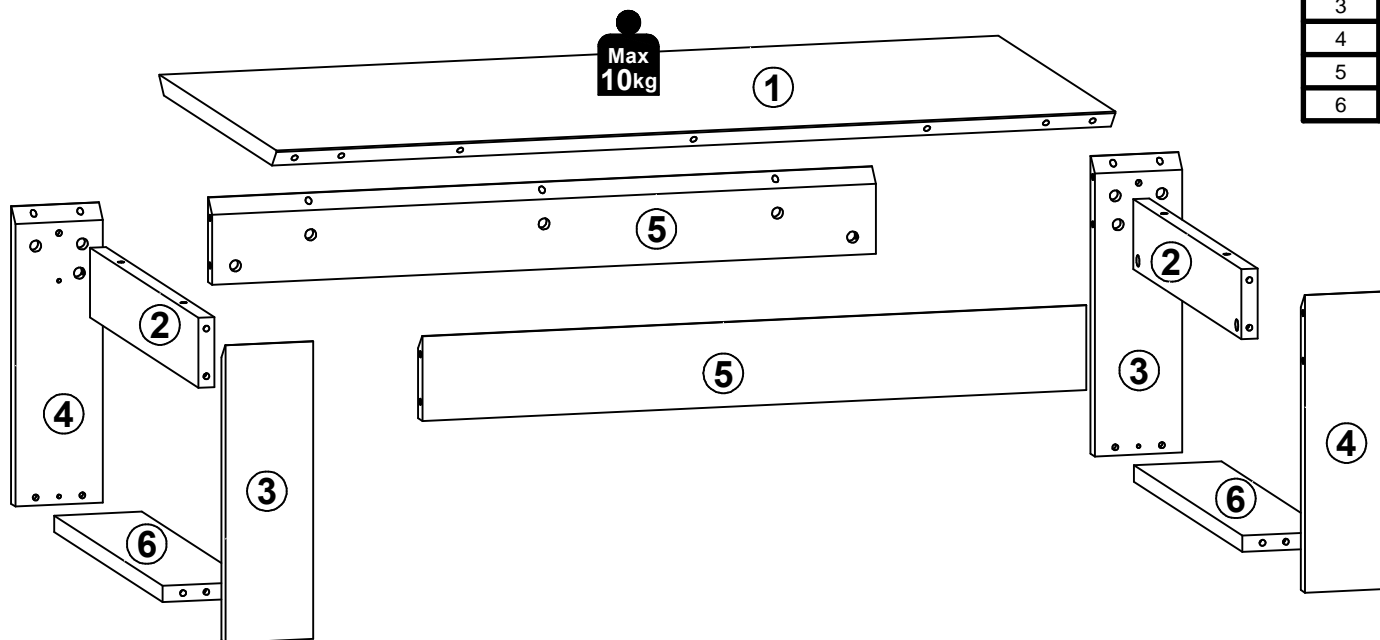
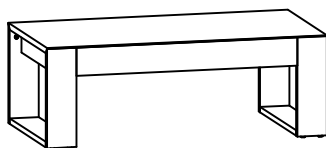


90min

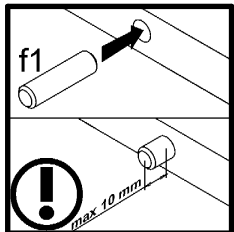
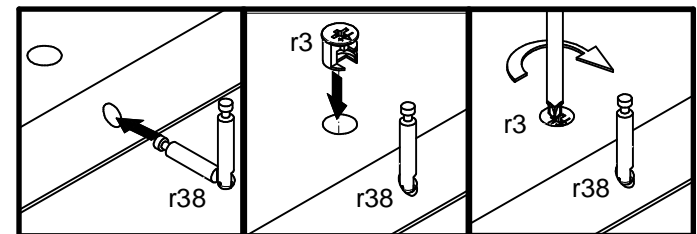
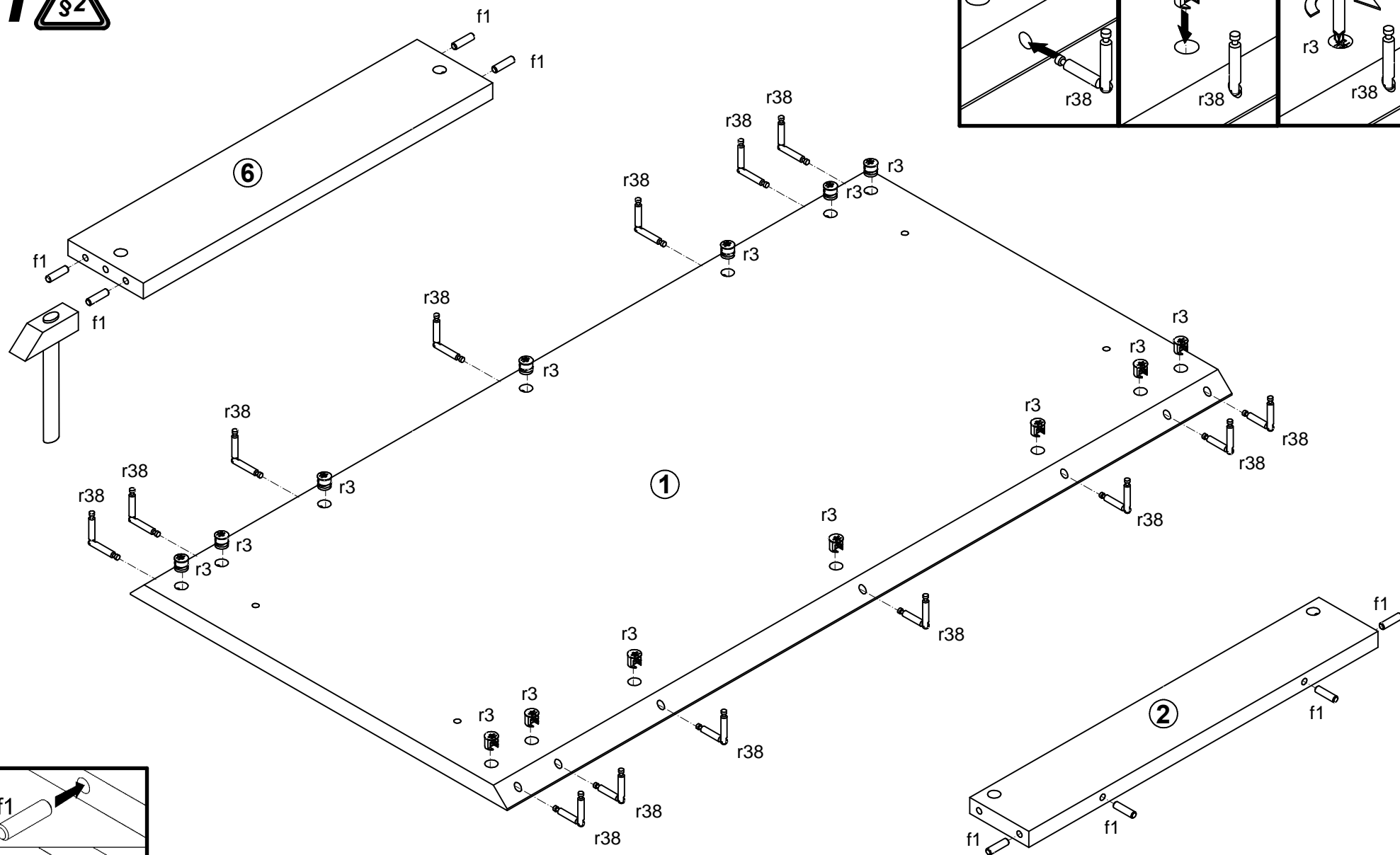


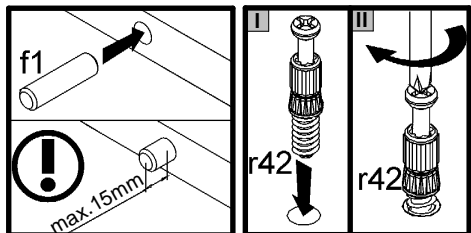
A	B	C (mm)		D
1	S229-201	1150	598	1/1
2	S229-403	554	94	1/1
3	S229-531	400	120	1/1
4	S229-532	400	120	1/1
5	S229-533	910	114	1/1
6	S229-534	554	120	1/1



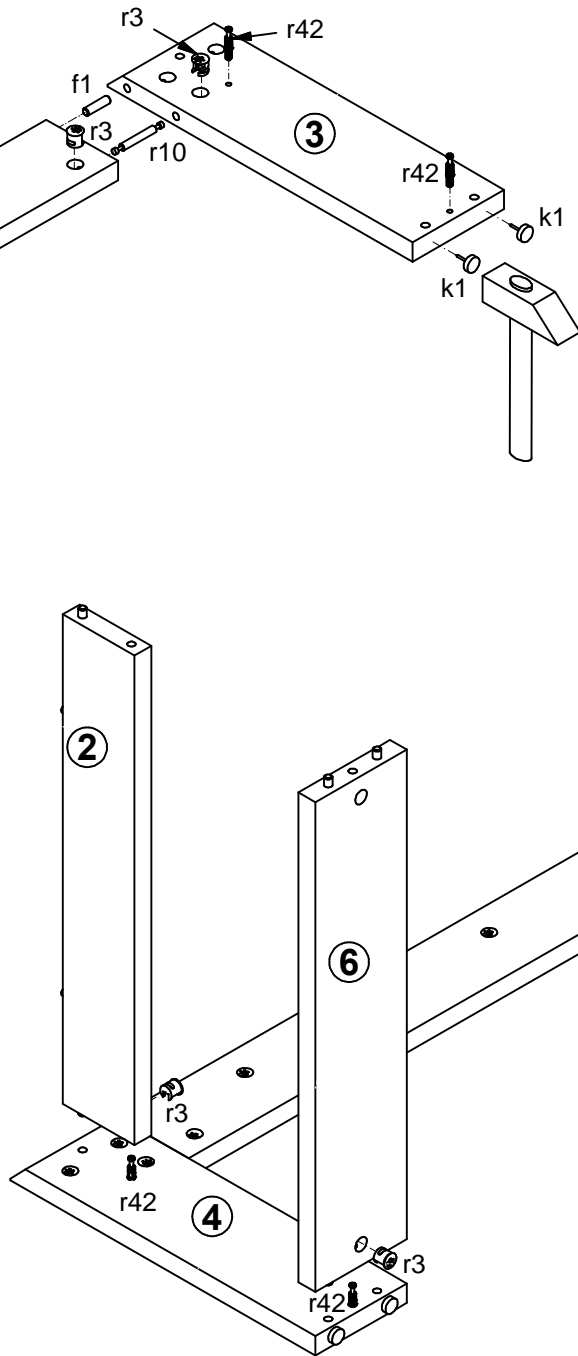
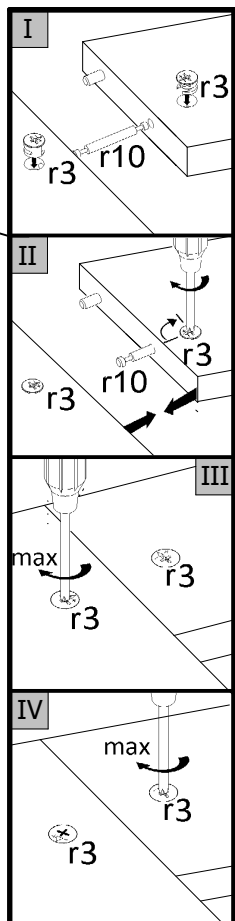
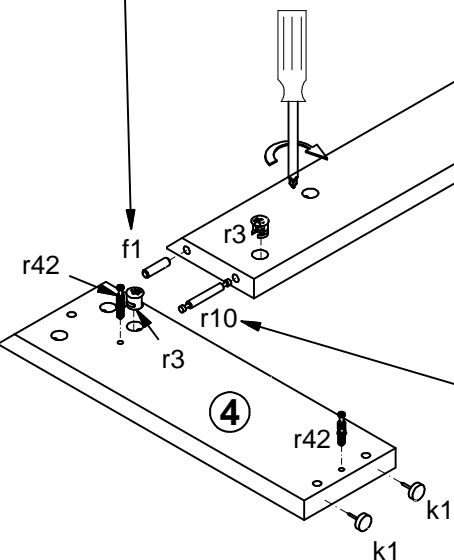
20x Ø8x30 mm f1	8x k1	44x Ø15x15 mm #22 r3	4x r10	8x r42	14x 39/39 r38	4x Ø16 s2
-----------------------	----------	----------------------------	-----------	-----------	---------------------	-----------------

1 





2



3

