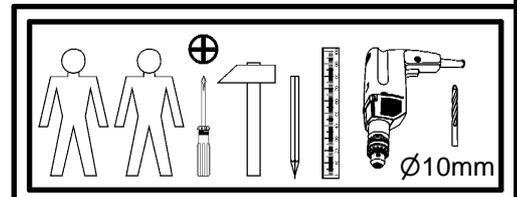
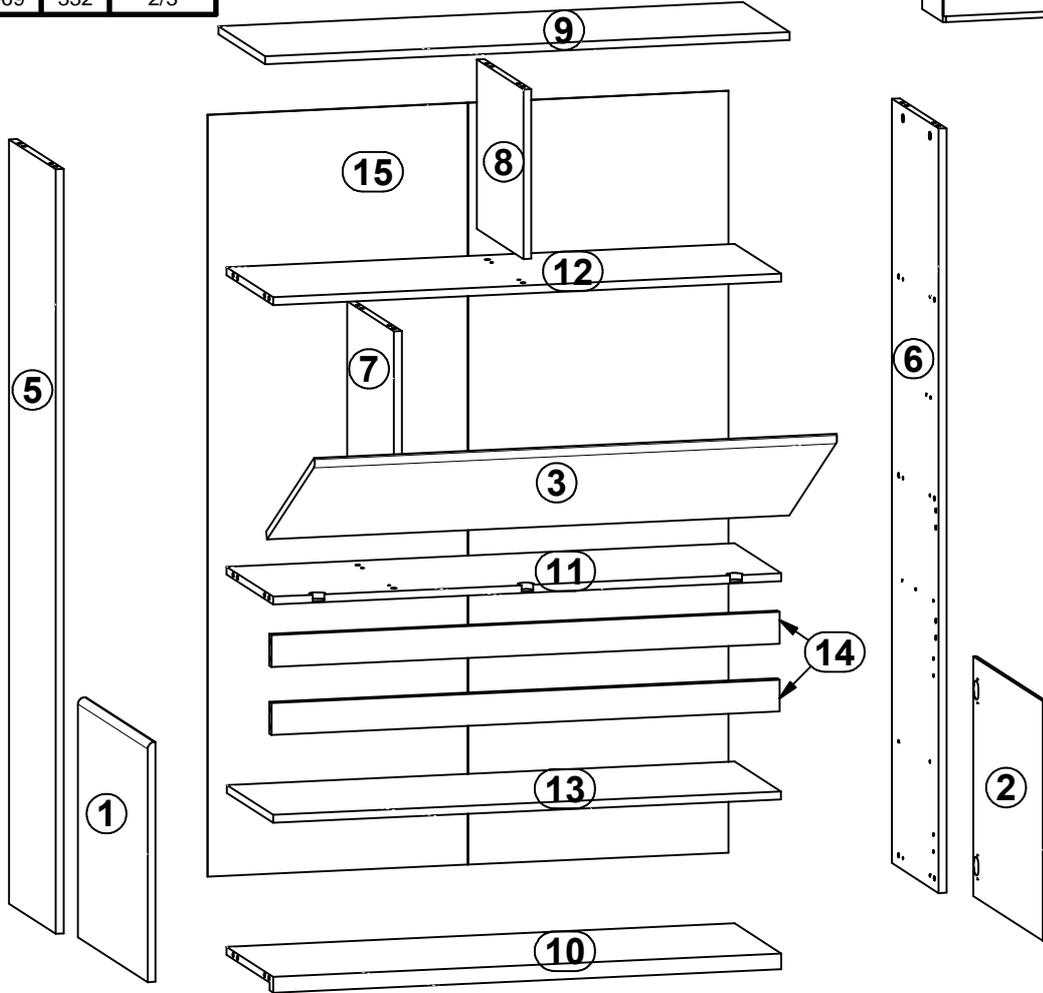
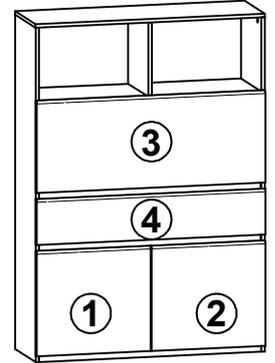
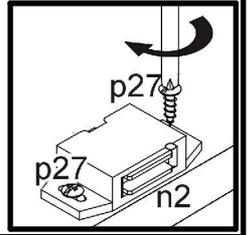
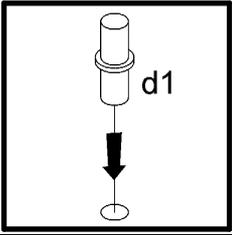
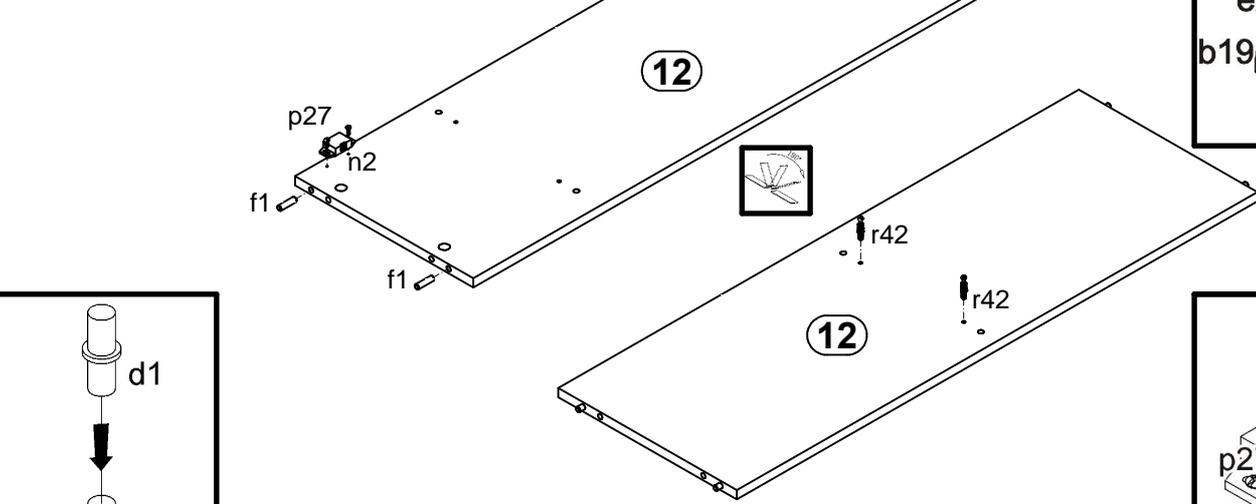
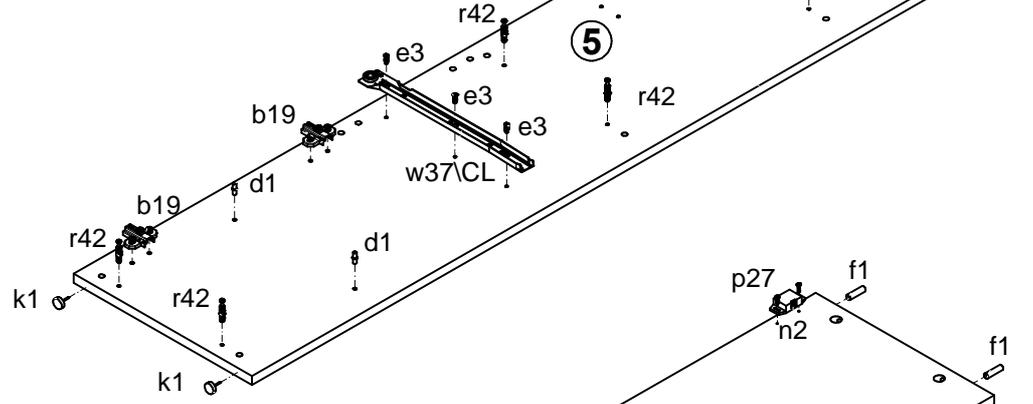
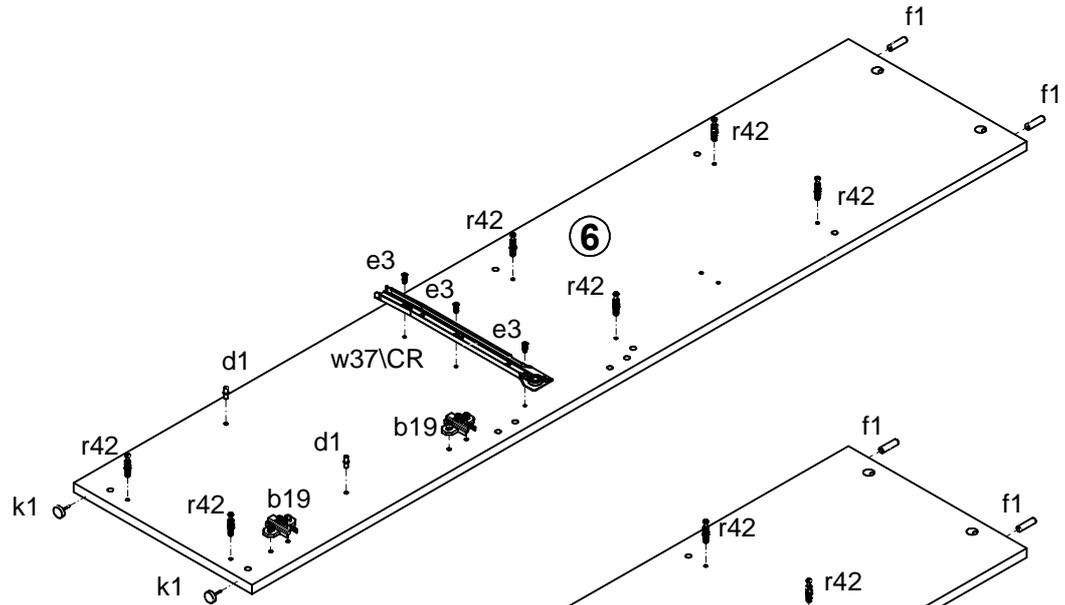
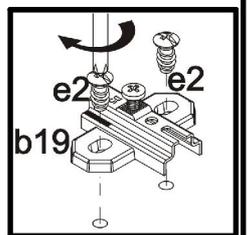
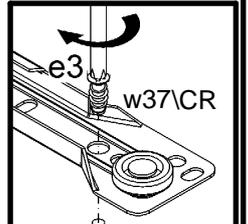
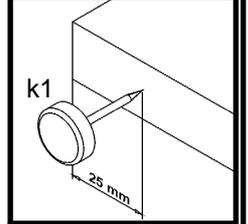
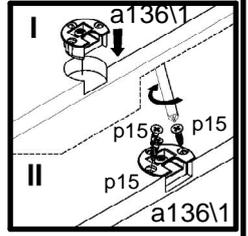
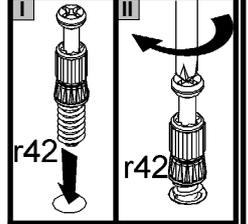
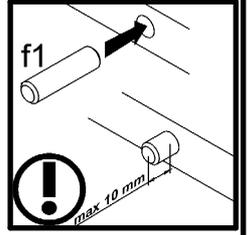
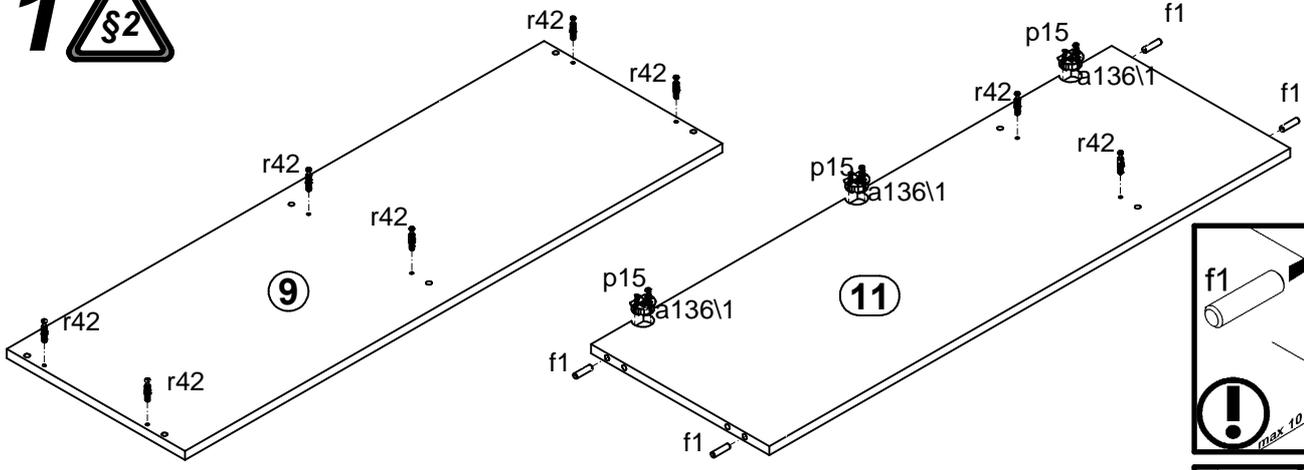


A	B	C	D	A	B	C	D		
1	S324-025	496	452	3/3	11	S324-337	969	332	2/3
2	S324-026	496	452	3/3	12	S324-338	969	332	2/3
3	S324-027	996	396	3/3	13	S324-339	968	330	2/3
4	S324-028	996	196	3/3	14	S324-430	969	60	2/3
5	S324-141	1442	332	1/3	15	S324-929	1437	993	1/3
6	S324-142	1442	332	1/3	16	S324-930	942	305	1/3
7	S324-143	360	332	2/3	17	ZS3-5650	920	120	2/3
8	S324-144	320	332	2/3	18	ZS4-507	300	120	2/3
9	S324-215	1000	332	2/3	19	ZS4-508	300	120	2/3
10	S324-335	969	332	2/3					

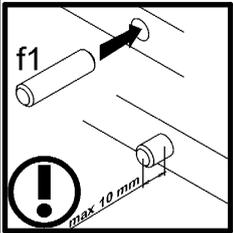
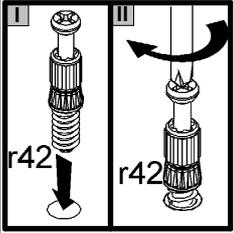
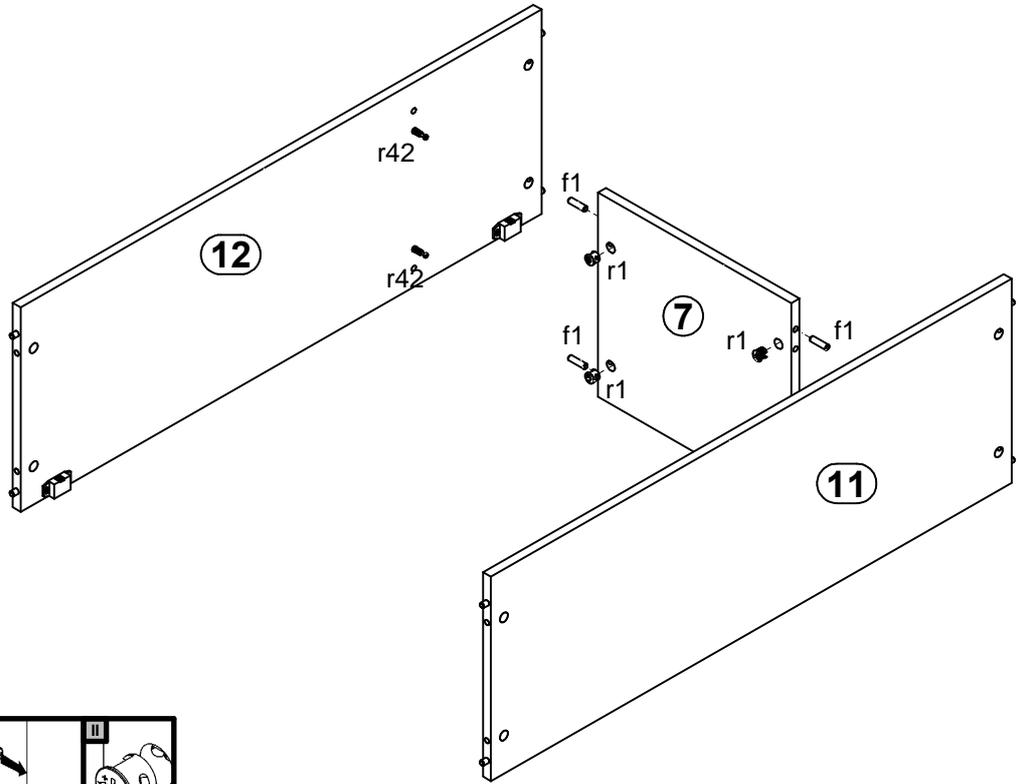


3x a136\1	3x a136\2	4x a44	4x b19	4x d1 Ø5x17 mm	10x e3 Ø6x13 mm	4x e19 Ø5x9 mm	32x f1 Ø8x30 mm	2x f9 Ø6x30 mm
4x f25 Ø6.5x40 mm	1x f35 Ø10x50 mm	4x k1	80x l1	2x m59 L=300 mm	2x n2	2x n3 50x12x1.5 mm	1x n14 81x21x15/1.5	4x o21 silikon
6x p1 Ø3.5x13 mm	22x p15 Ø2.5x13 mm	1x p17 Ø5x60 mm	1x p25 Ø3.5x16 mm	4x p27 Ø3.5x13 mm	1x p35 Ø3.5x10 mm	10x p38 Ø3.5x16 mm	8x p51 Ø3.5x15 mm	24x r1 Ø15x12 mm #16
4x r15 Ø12x10.5 mm #12	28x r42 20/11	1x t25 300 mm	1x w37\CL 300 mm	1x w37\CR 300 mm	1x w37\DL 300 mm	1x w37\DR 300 mm	16x s2 Ø16	

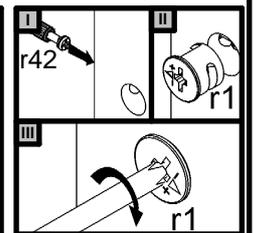
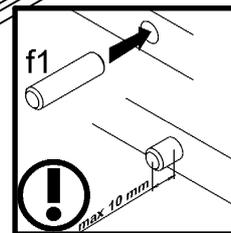
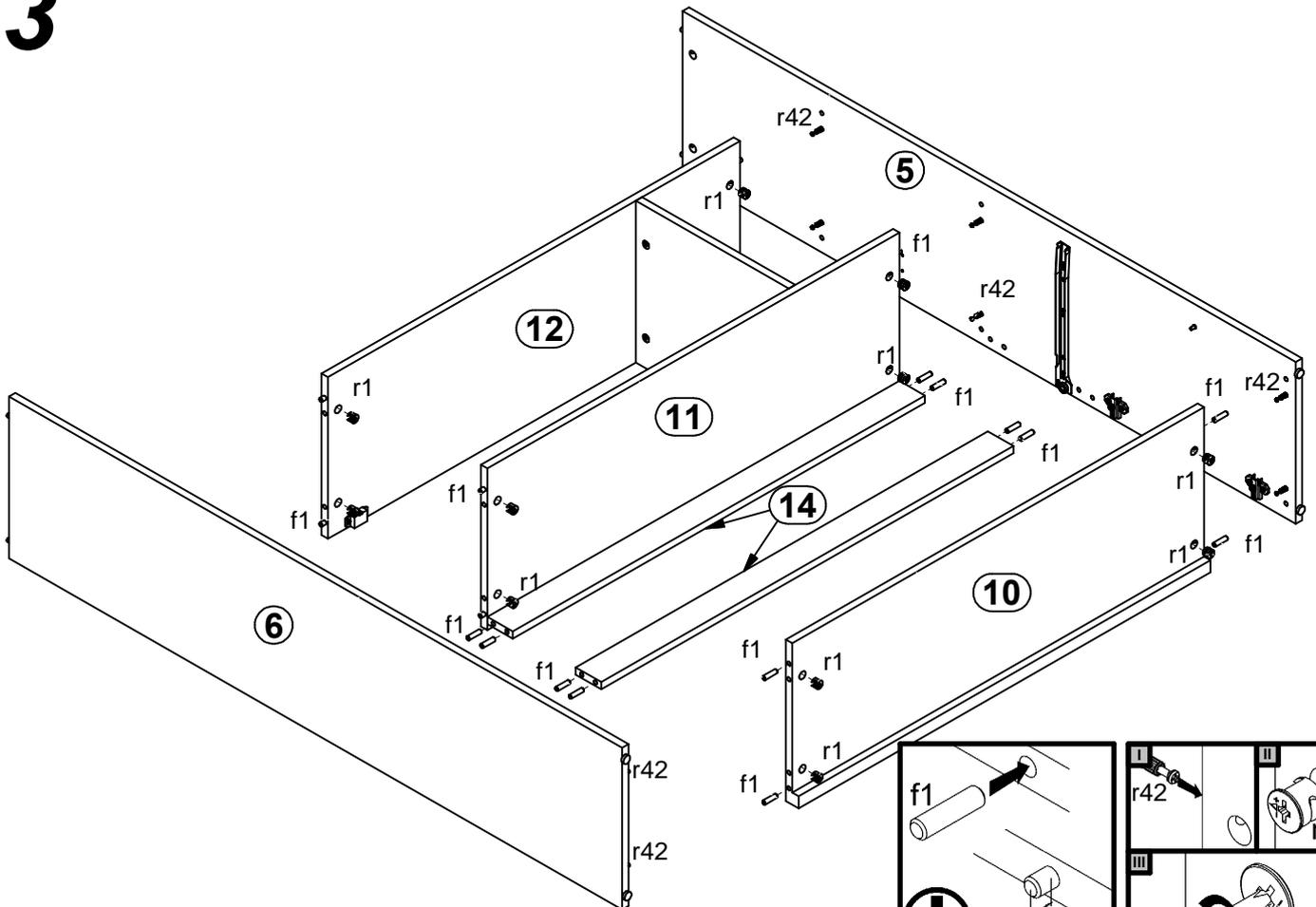
1 



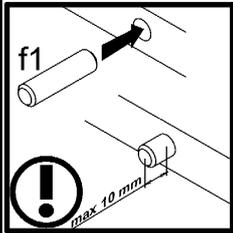
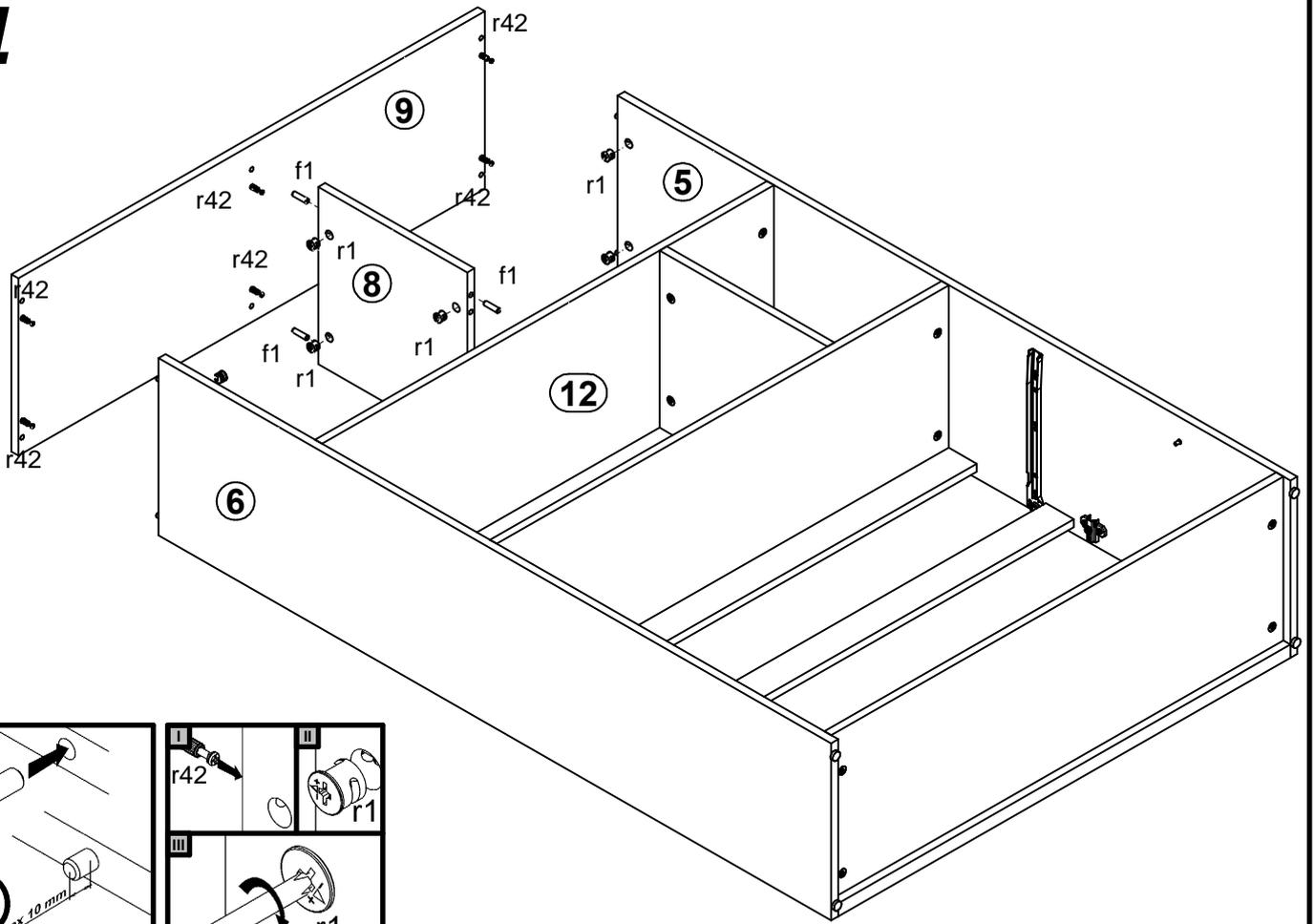
2



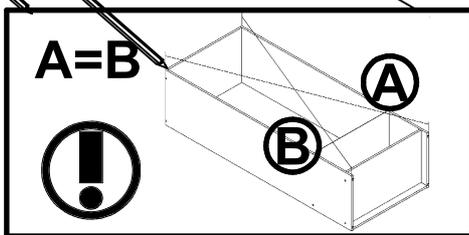
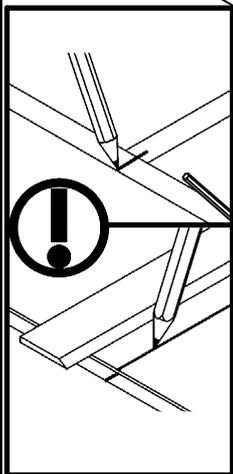
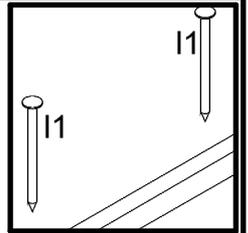
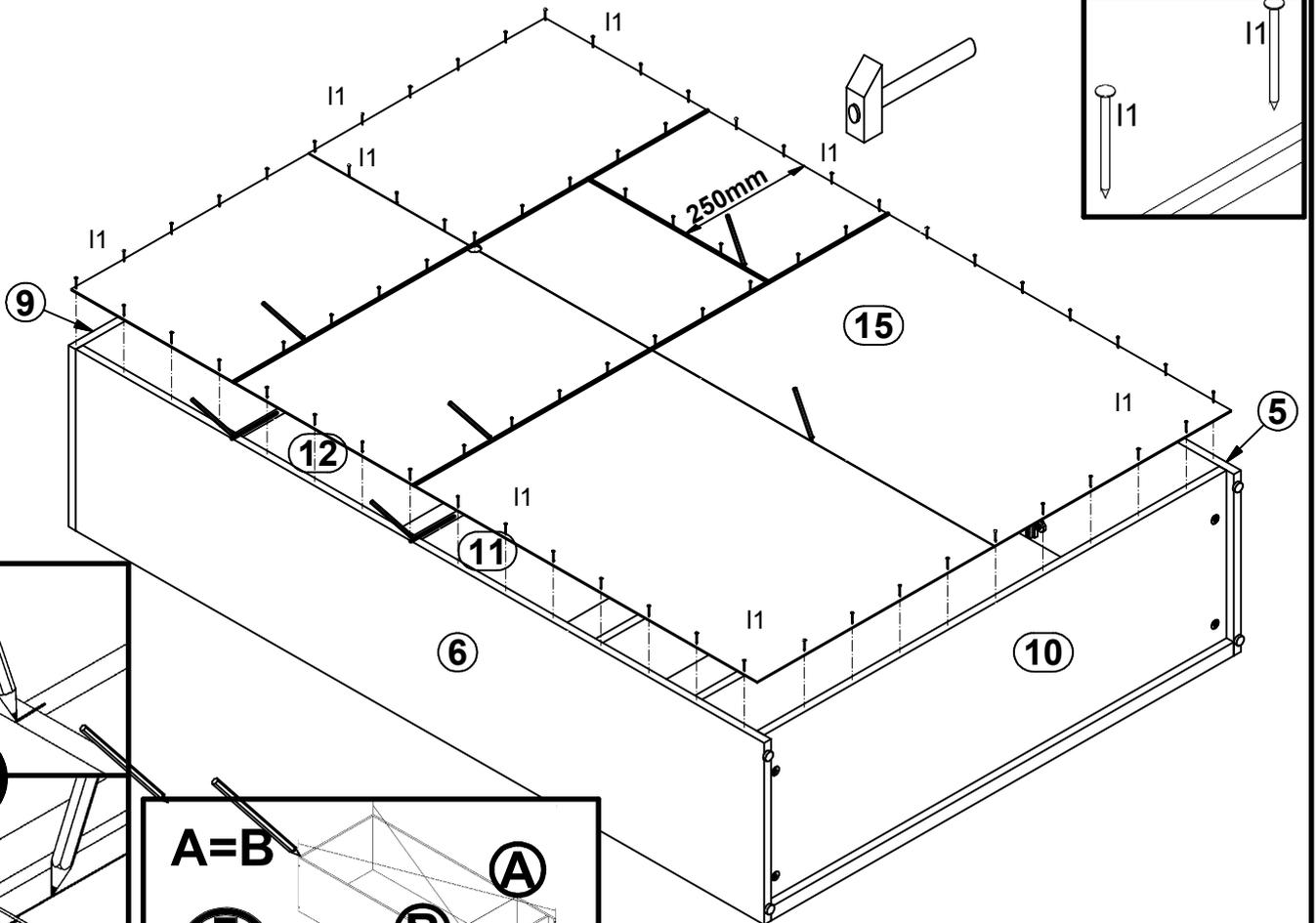
3



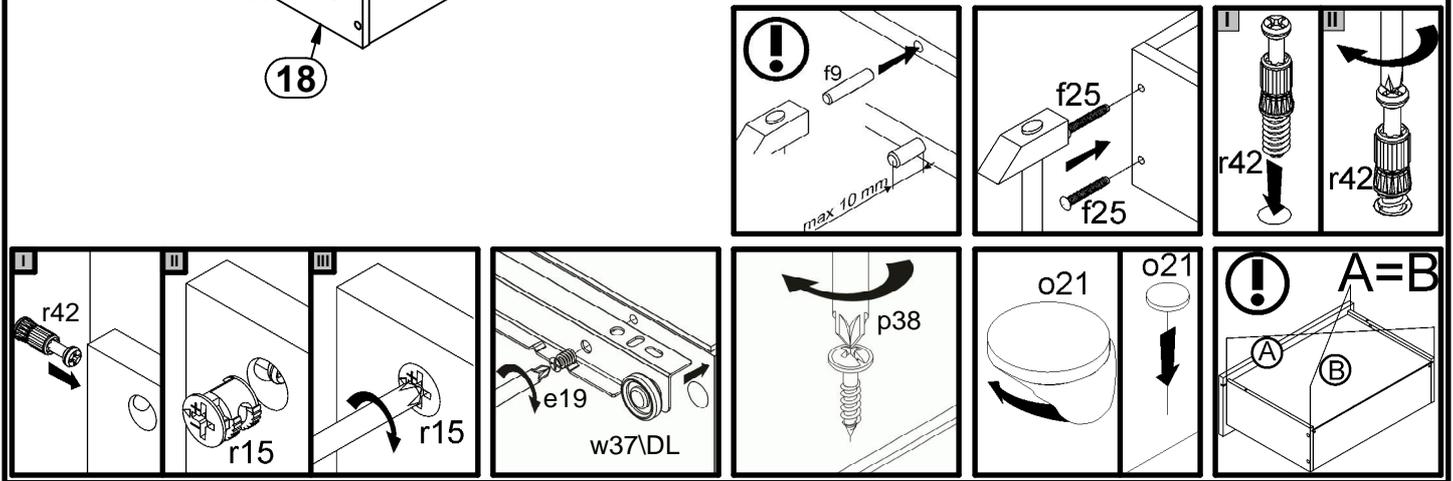
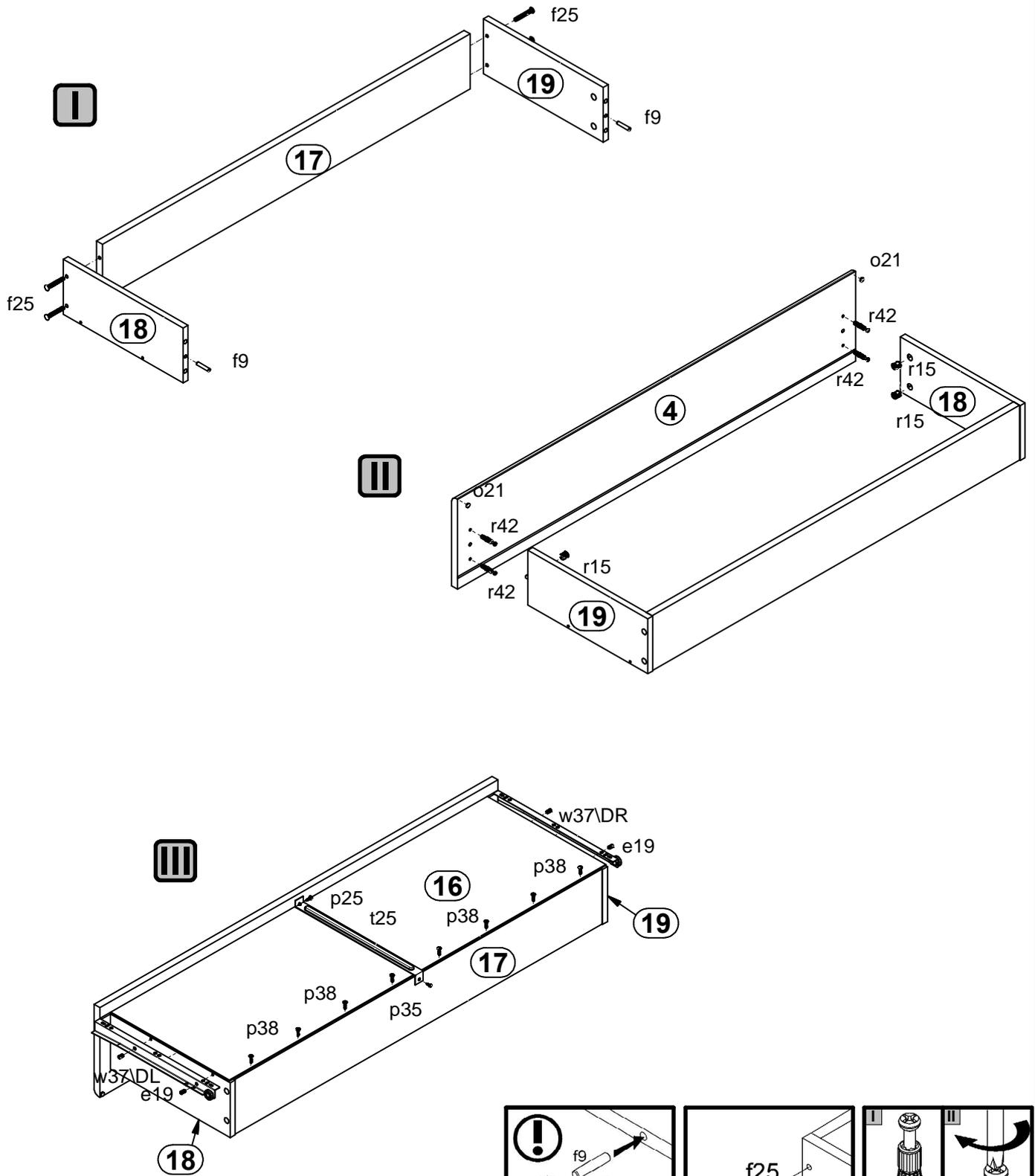
4



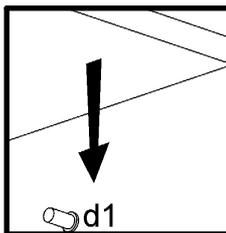
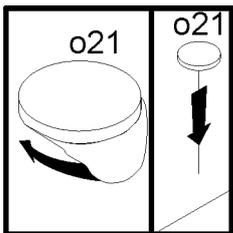
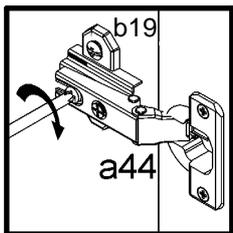
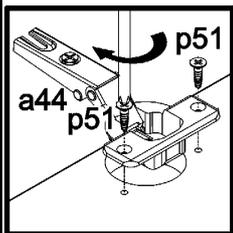
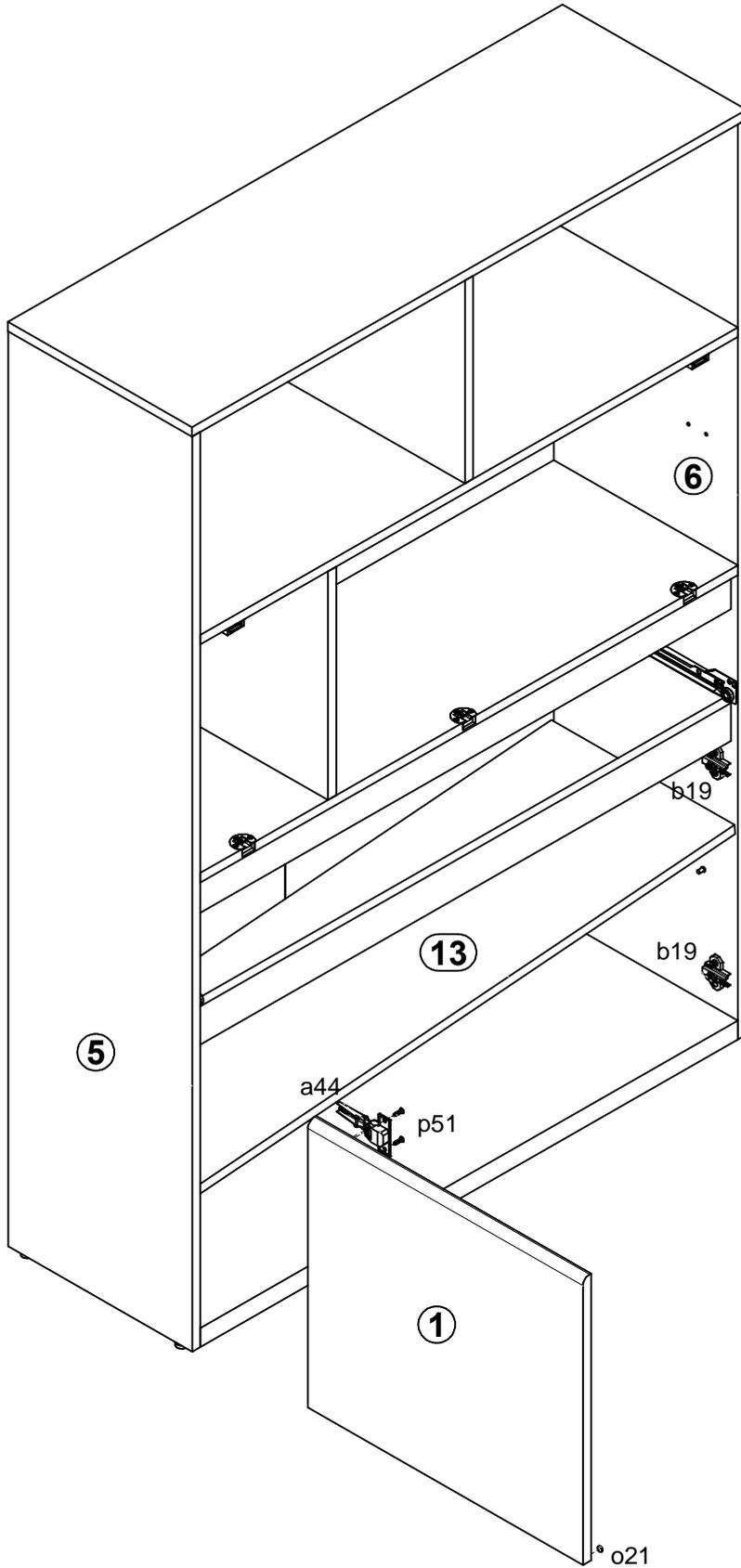
5



6

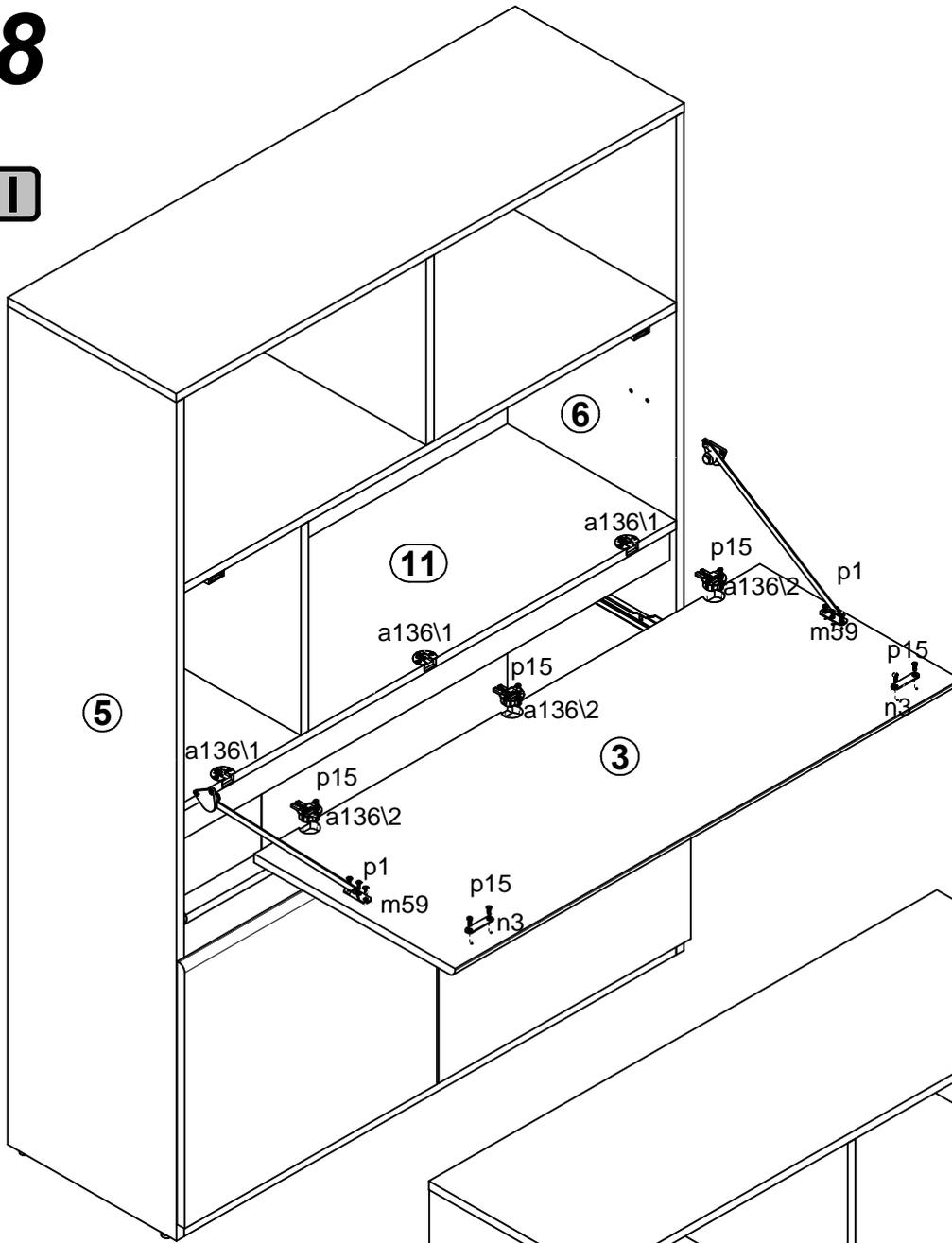


7

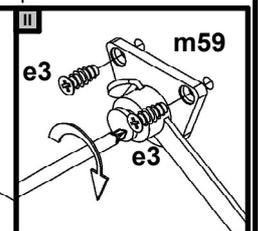
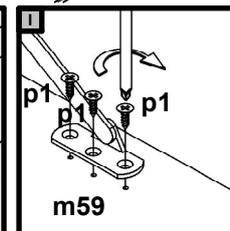
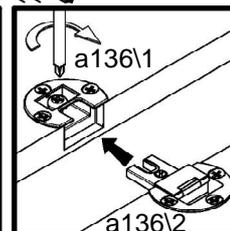
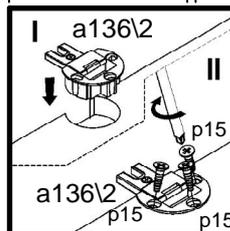
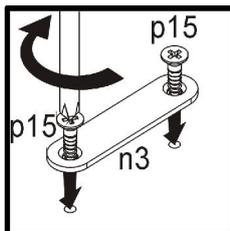
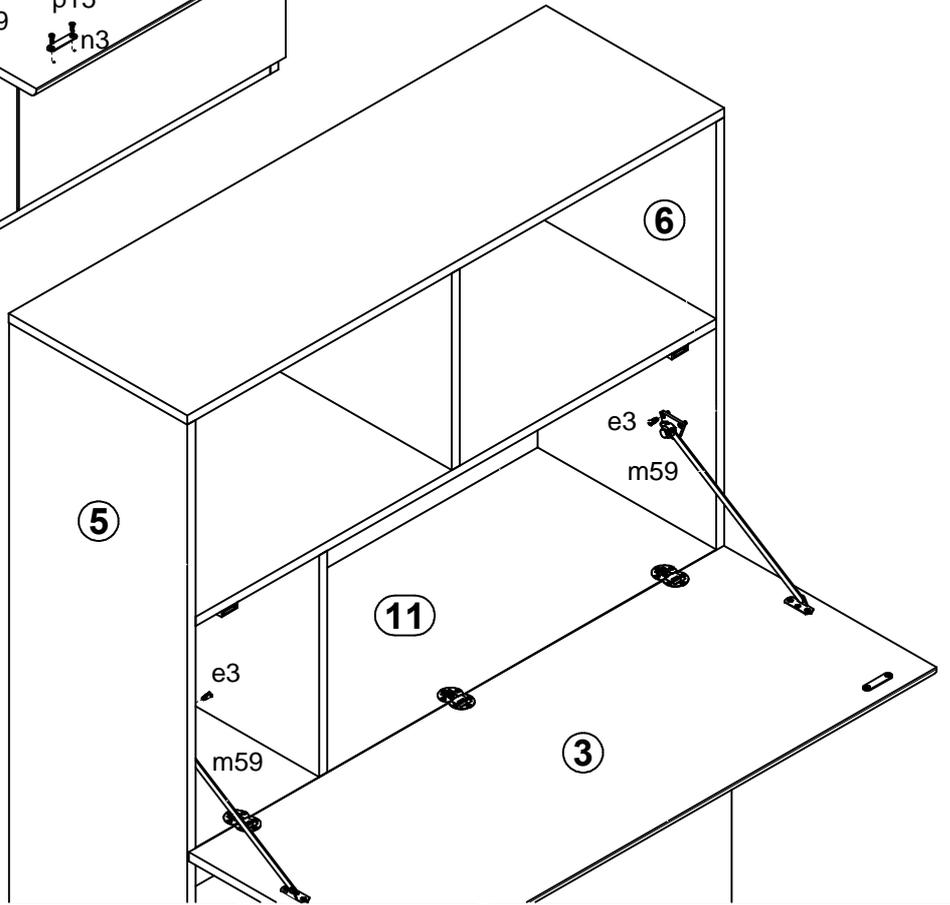


8

I



II



9

