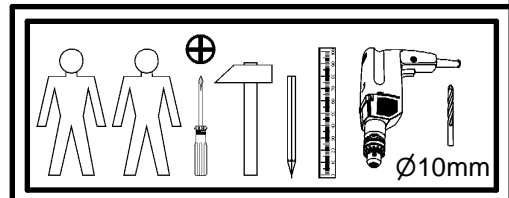
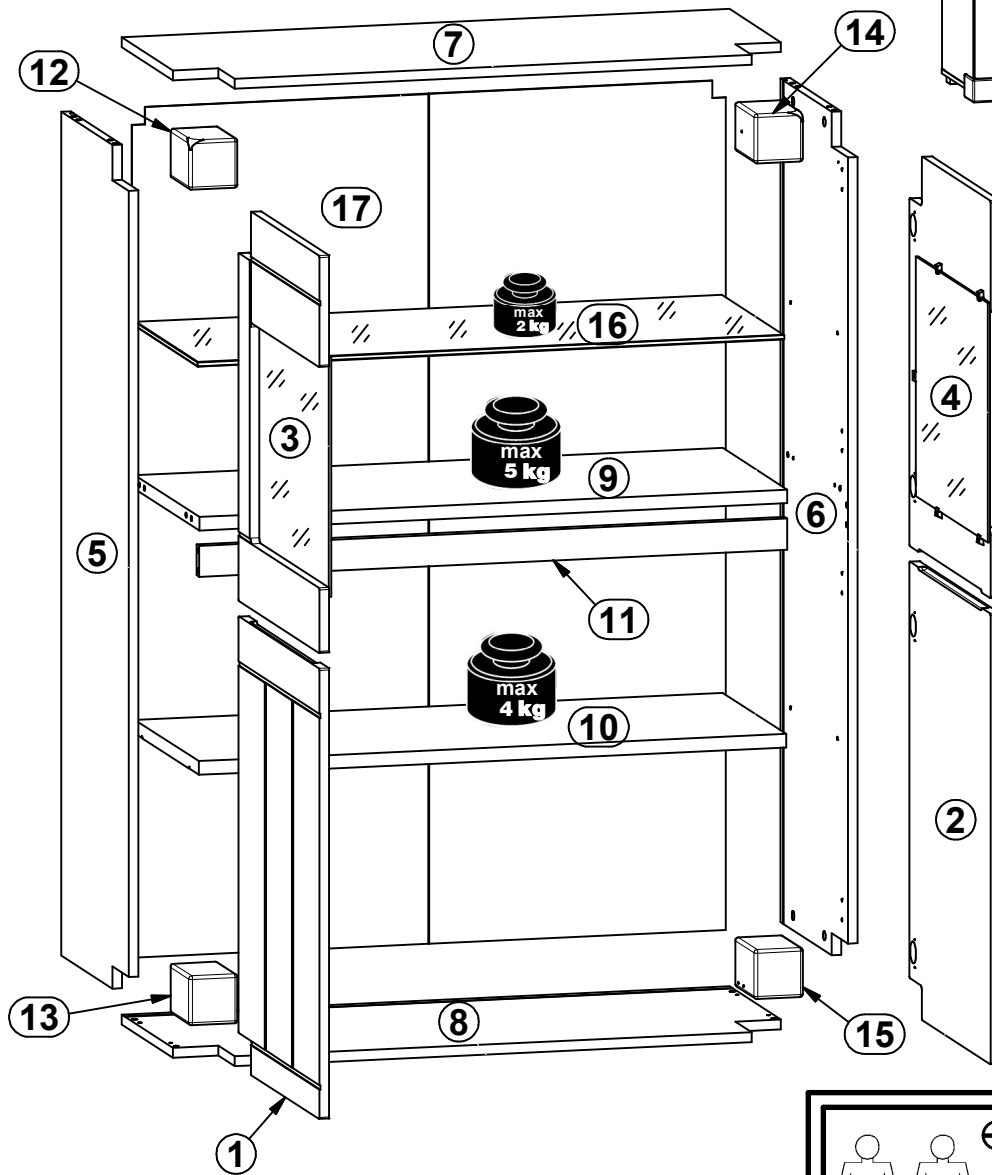
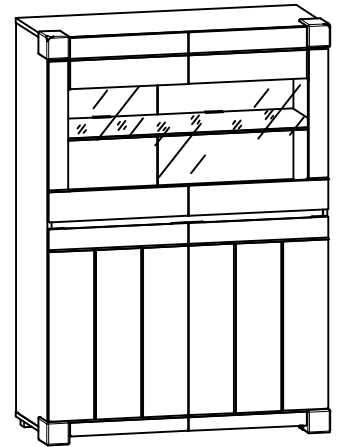


**A**

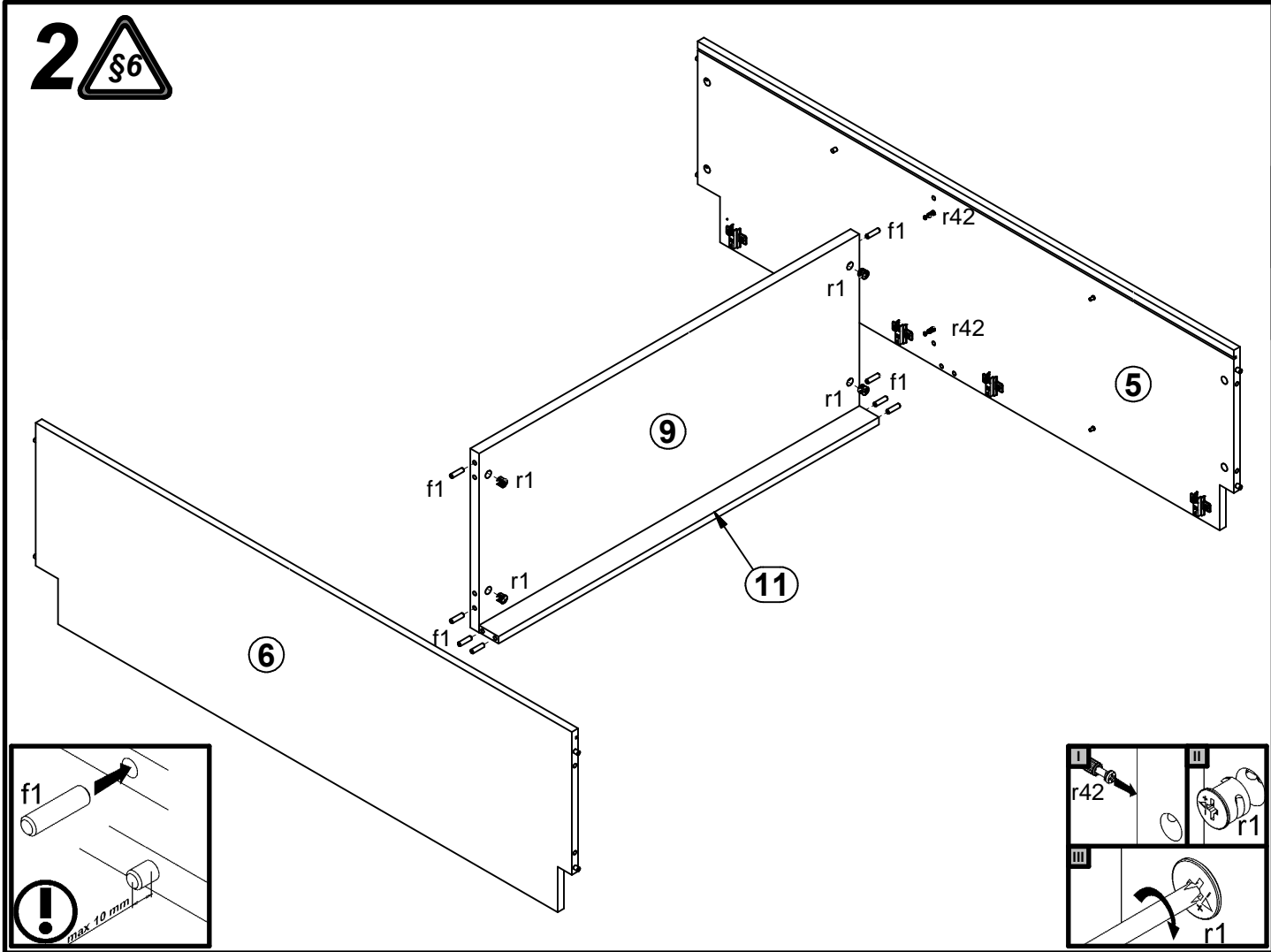
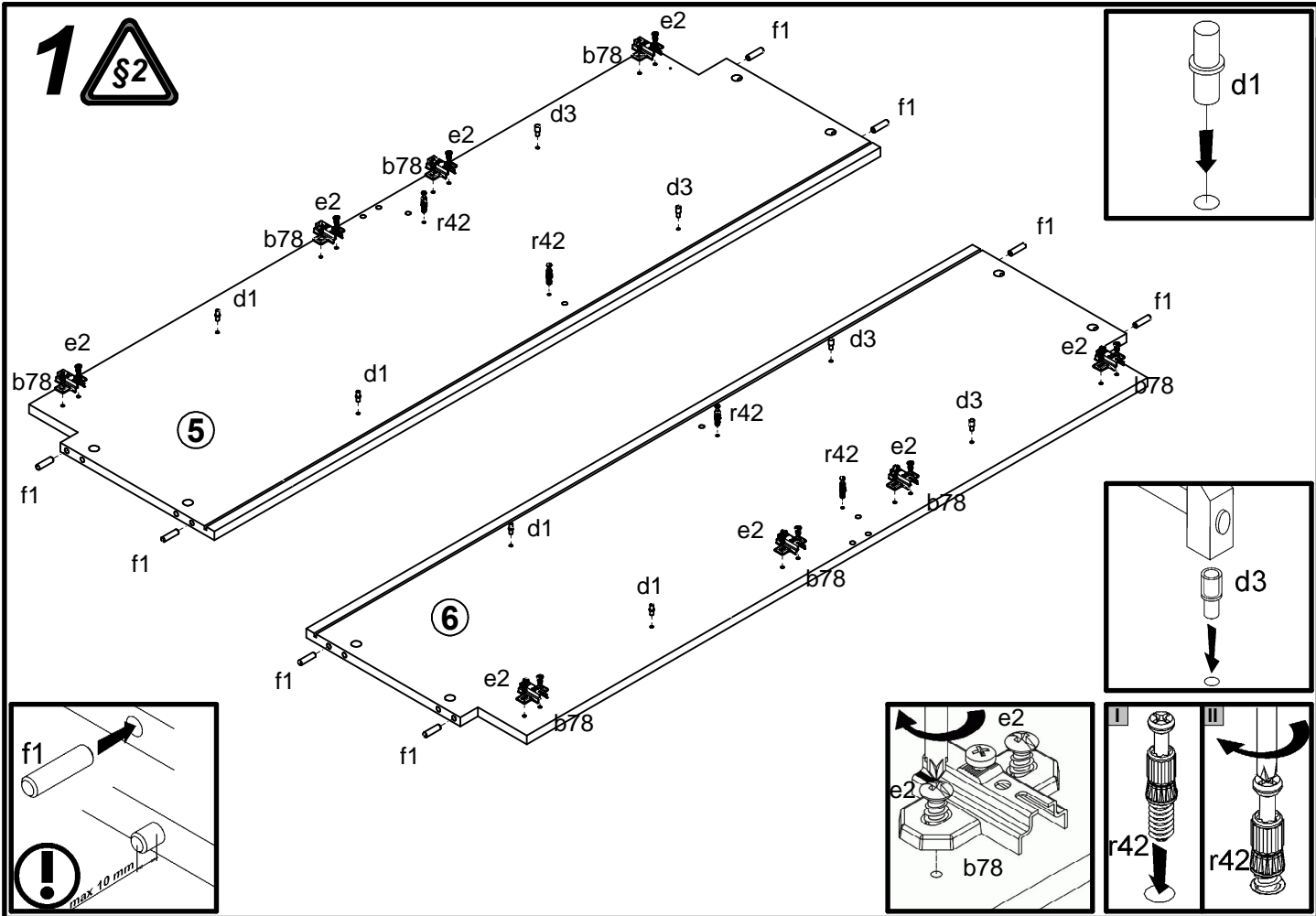
# ARENDA

**S364-REG2D2W/101**

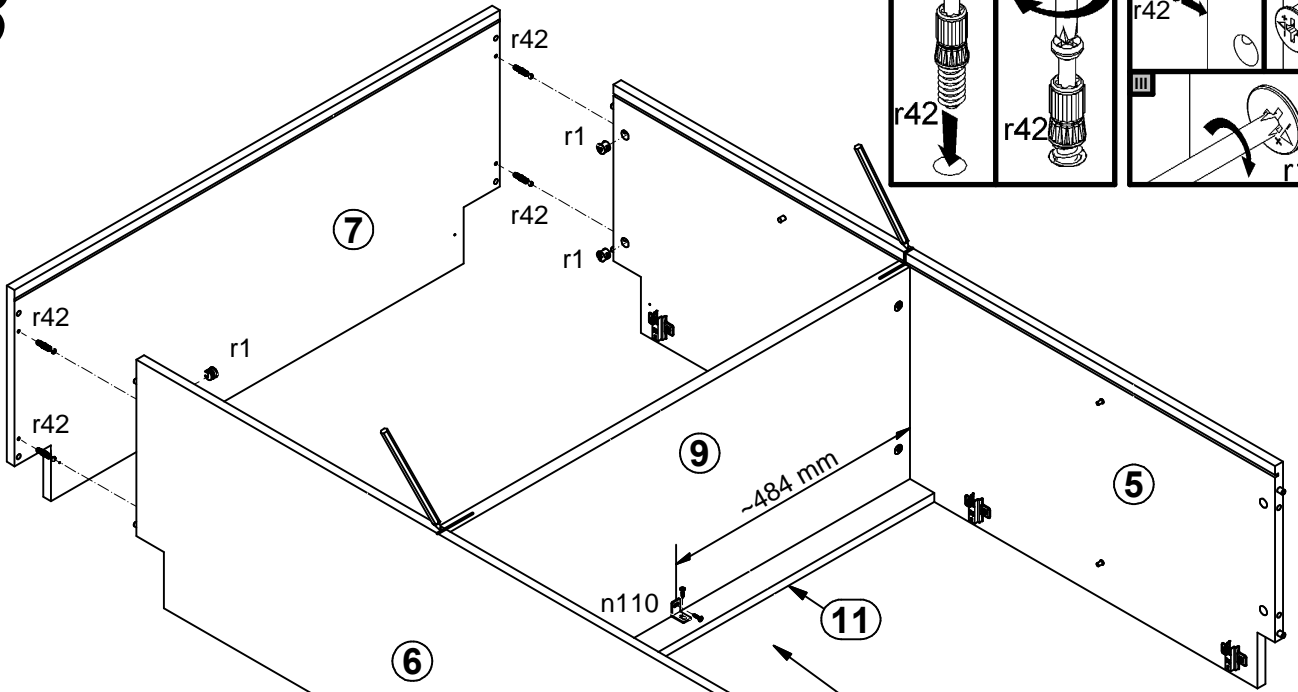
A	B	C	D	A	B	C	D		
1	S364-0005	728	497	4/4	10	S364-3003	966	390	2/4
2	S364-0006	728	497	4/4	11	S364-4002	967	50	2/4
3	S364-0016	642	497	4/4	12	S364-5001	120	80	3/4
4	S364-0017	642	497	4/4	13	S364-5003	120	80	3/4
5	S364-1005	1363	415	1/4	14	S364-5005	120	80	3/4
6	S364-1006	1363	415	1/4	15	S364-5006	120	80	3/4
7	S364-2003	1000	415	2/4	16	S364-5007	965	380	2/4
8	S364-2004	1000	415	2/4	17	S364-9303	1373	977	1/4
9	S364-3002	967	395	2/4					



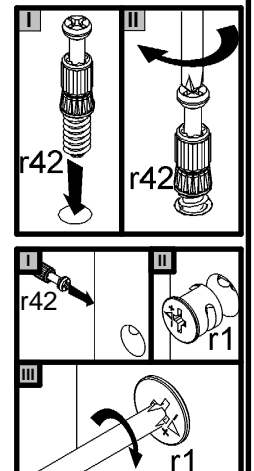
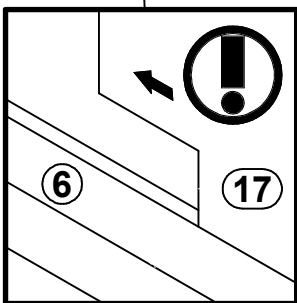
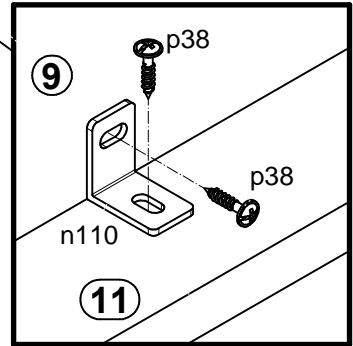
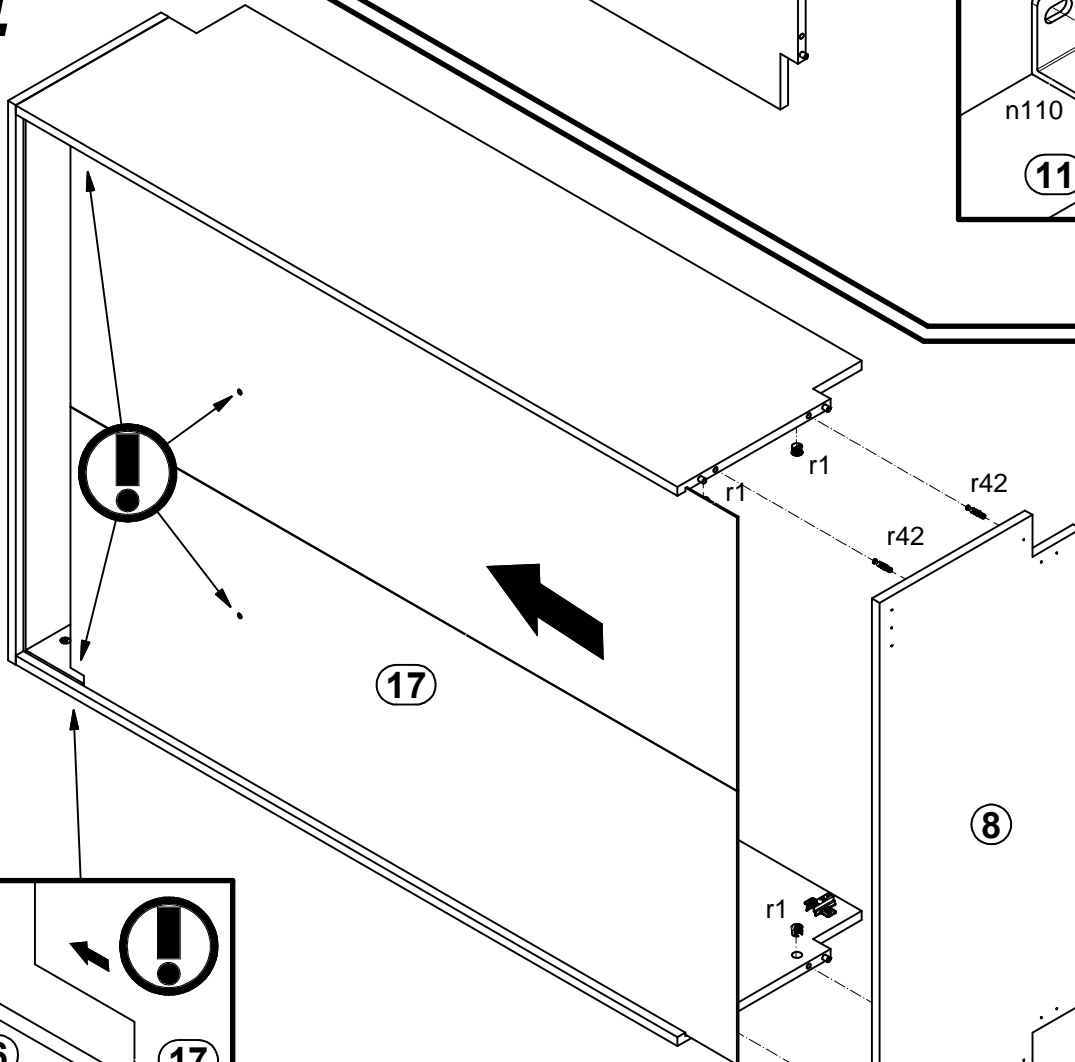
4x  a133	8x  a158	8x  b78	4x  Ø5x17 mm d1	4x  Ø5x17 mm d3	16x  Ø6.3x13 mm e2	16x  Ø8x30 mm f1	2x  80x4928 mm k83	10x  l1
12x  l2	11x  25x25x16/2 n110	1x  o43/6	2x  o43/8	22x  Ø3.5x16 mm p38	16x  Ø3.5x15 mm p51	6x  Ø4x40 mm p64	12x  Ø15x12 mm #16 r1	12x  20/11 r42
8x  Ø16 s2					2x  88x21x15/1.5 n14/2	2x  Ø10x50 mm f35	2x  Ø5x60 mm p17	4x  Ø3.5x16 mm p38



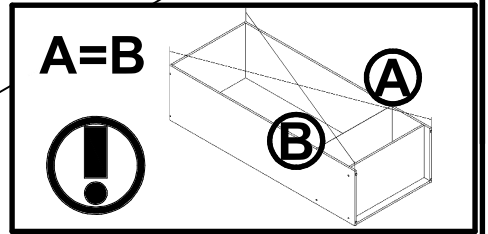
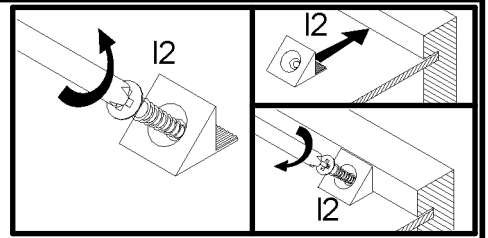
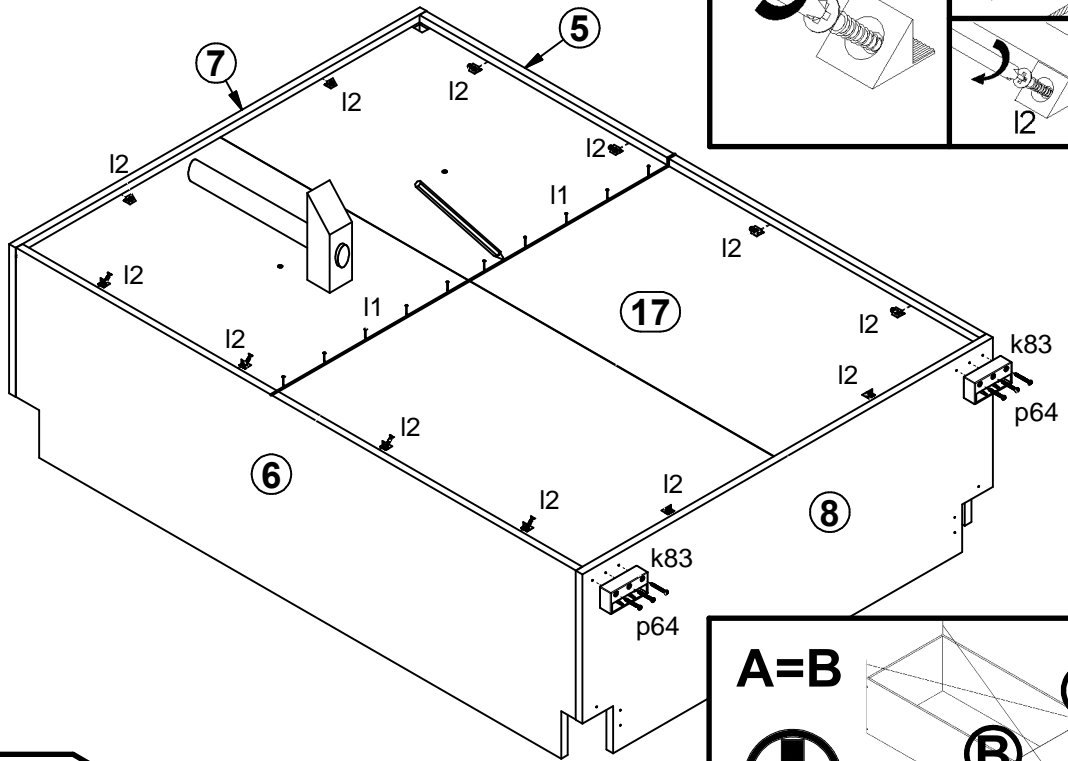
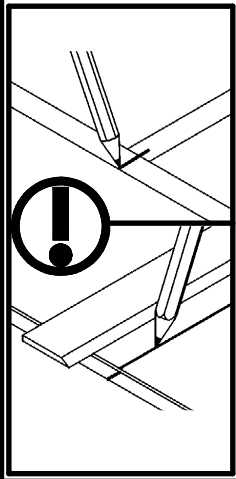
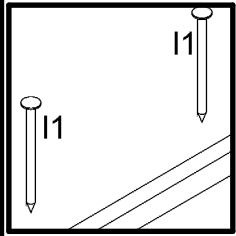
# 3



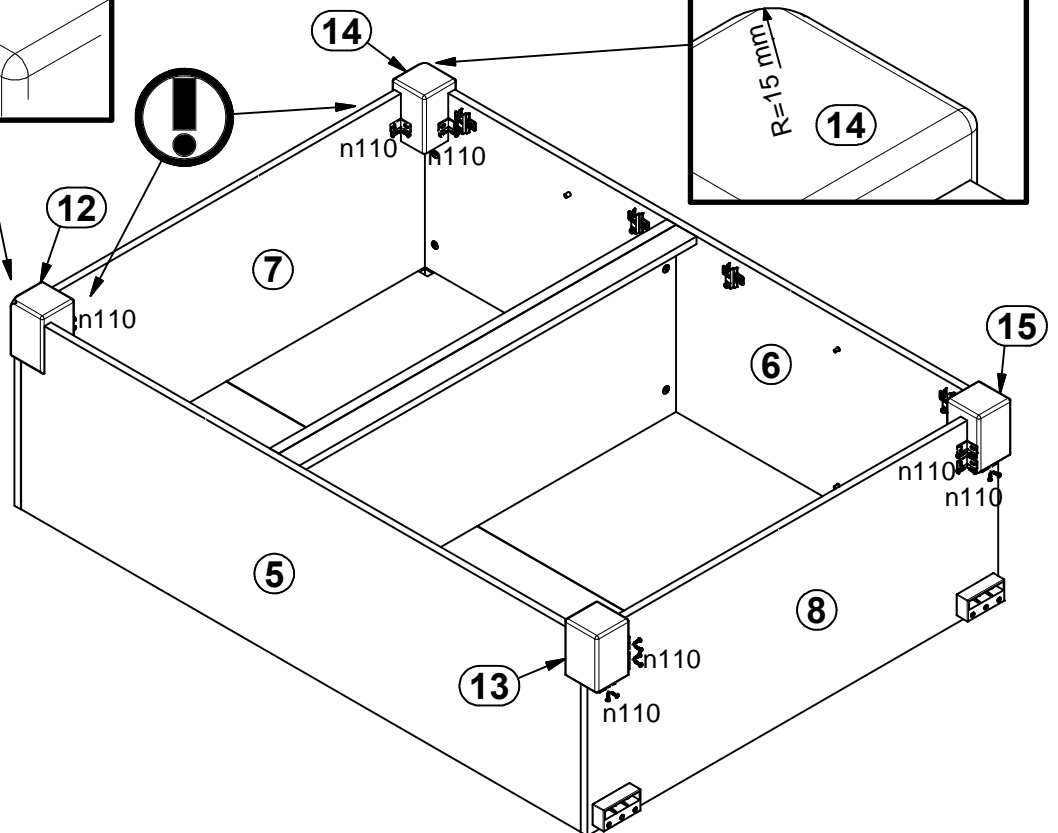
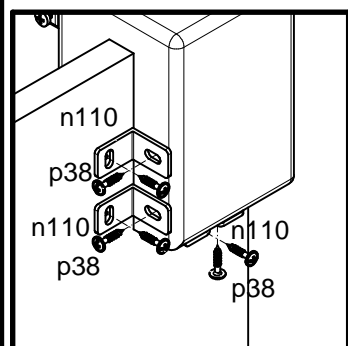
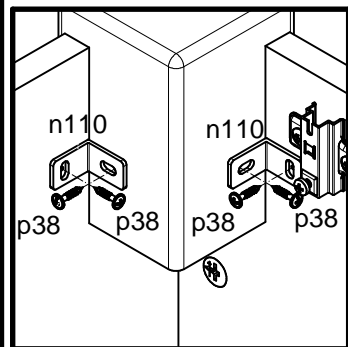
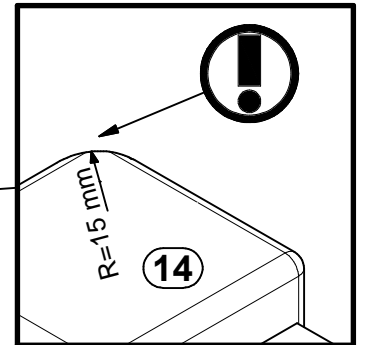
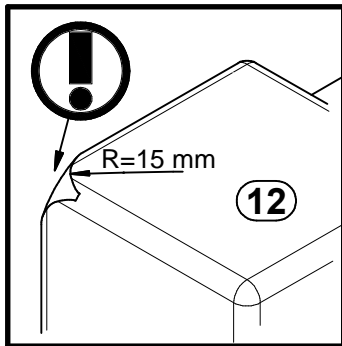
# 4



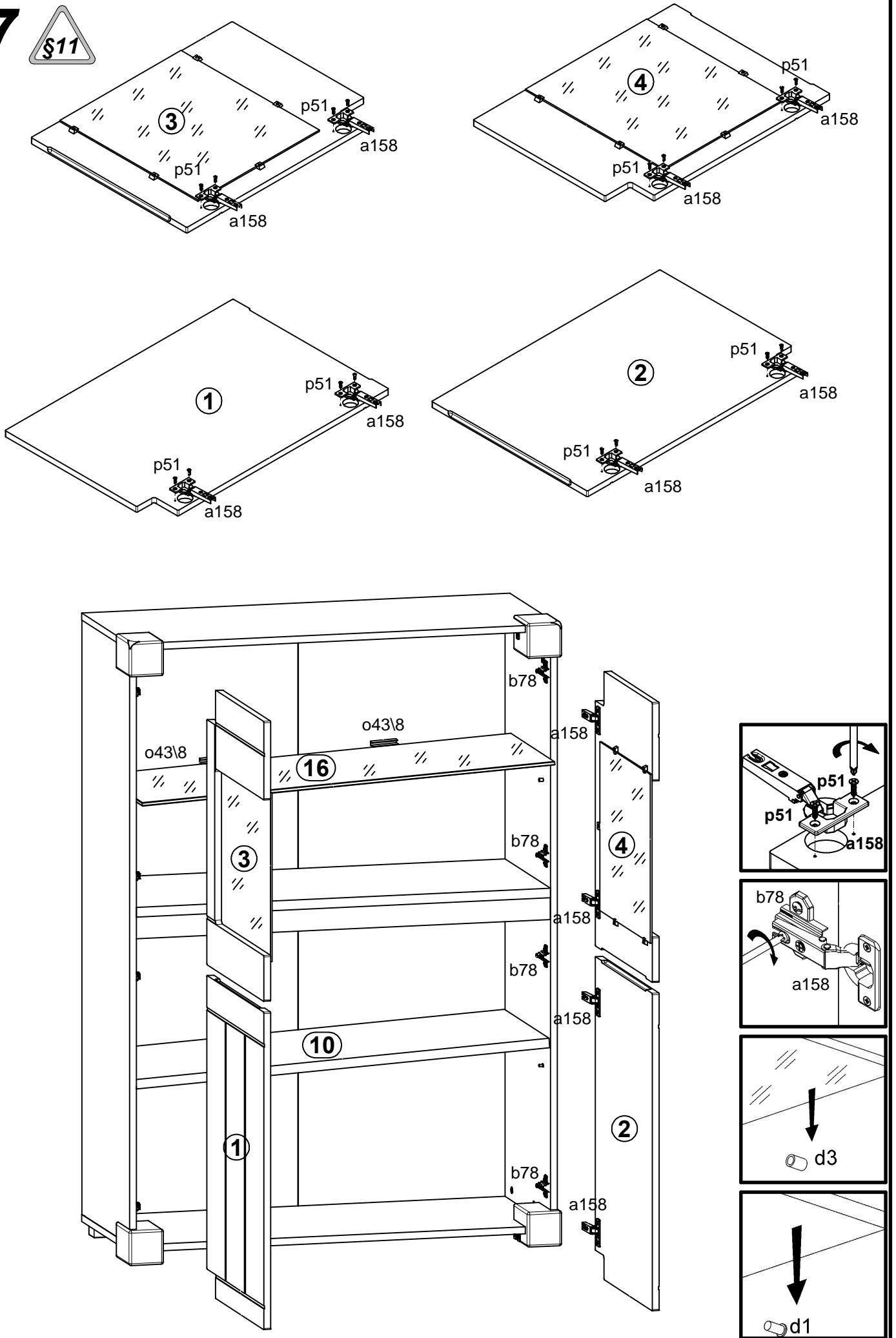
# 5



# 6



# 7



# 8

