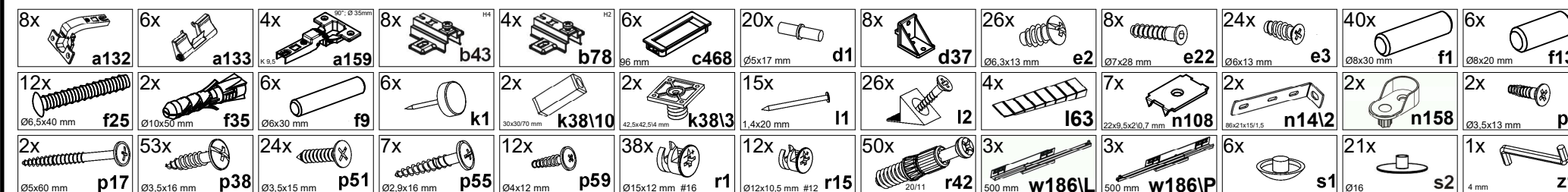
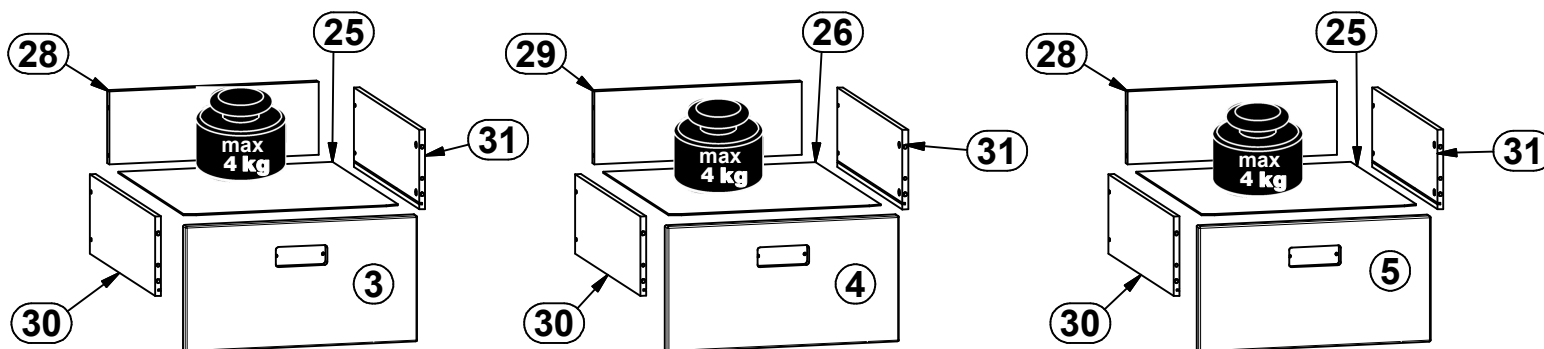
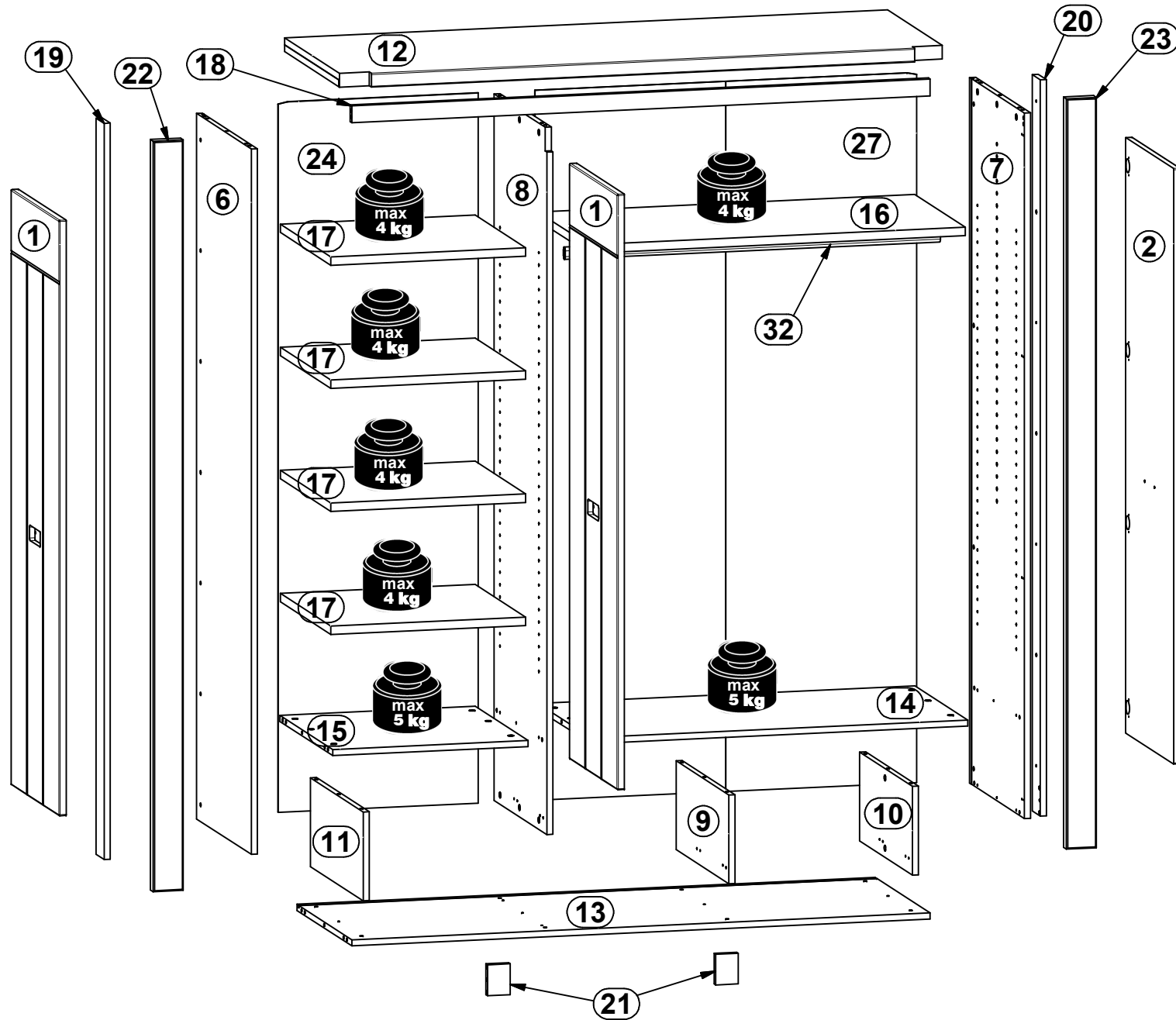


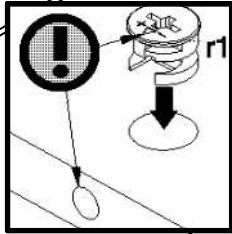
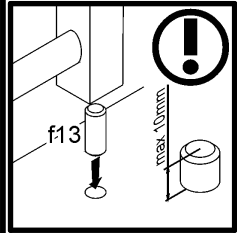
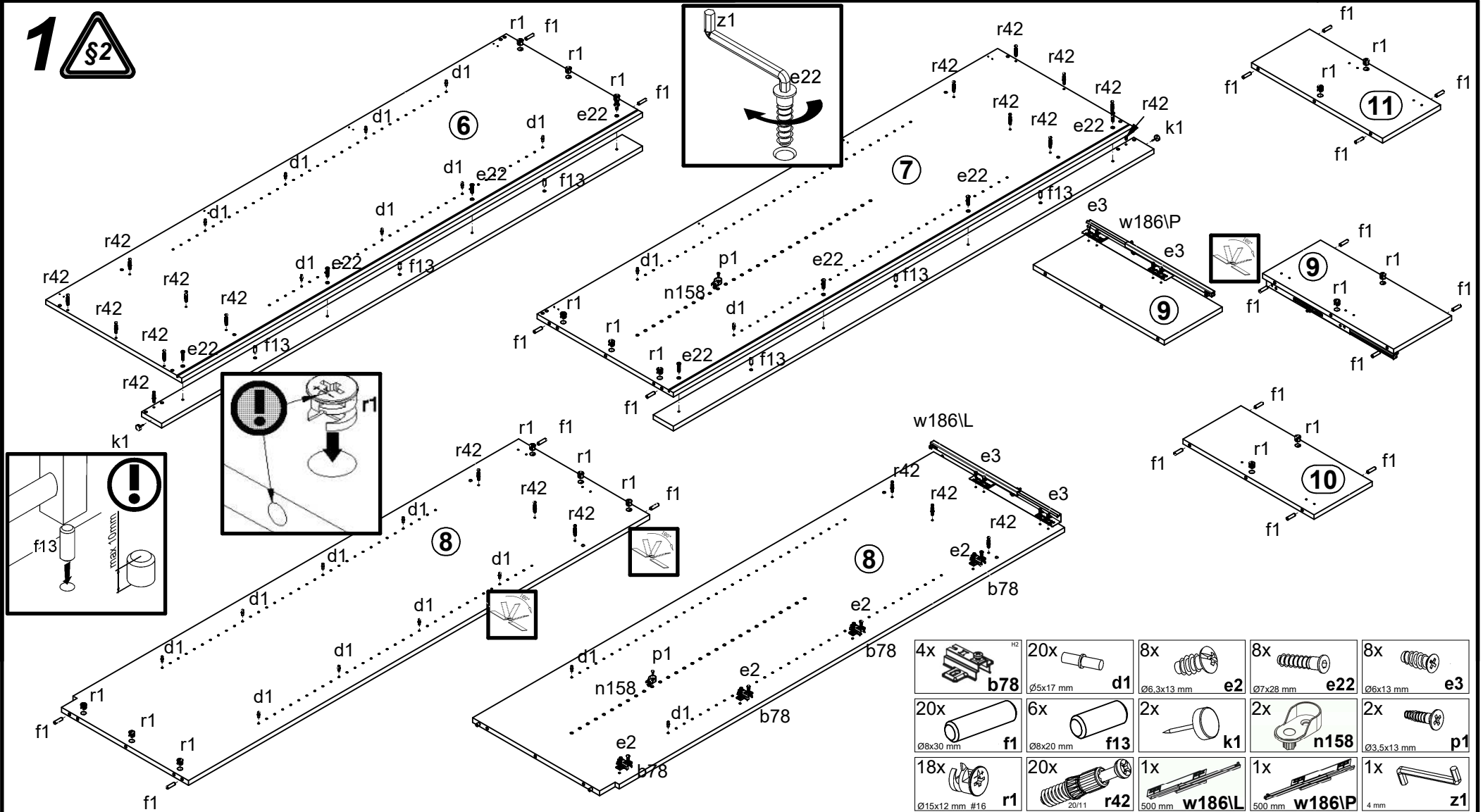
A	B	C (mm)		D
1	S378-0020	1548	476	5/6
2	S378-0021	1548	476	5/6
3	S378-0022	476	253	2/6
4	S378-0023	476	253	2/6
5	S378-0024	476	253	2/6
6	S378-1028	1834	542	1/6
7	S378-1029	1834	542	1/6
8	S378-1030	1836	522	2/6
9	S378-1031	231	522	3/6
10	S378-1032	231	522	3/6
11	S378-1033	231	522	3/6
12	S378-2012	1597	565	3/6
13	S378-3024	1532	542	3/6
14	S378-3025	999	522	2/6
15	S378-3026	517	522	2/6
16	S378-3027	998	500	2/6


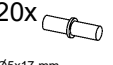
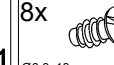
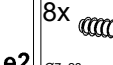
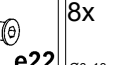


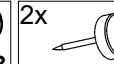
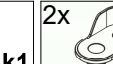
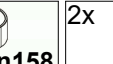


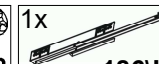

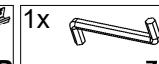
A	B	C (mm)		D
17	S378-3028	516	500	4/6
18	S378-4004	1532	44	3/6
19	S378-5001	1914	80	6/6
20	S378-5002	1914	80	6/6
21	S378-5005	80	60	6/6
22	S378-5078	1951	80	6/6
23	S378-5079	1951	80	6/6
24	S378-9008	1846	530	1/6
25	S378-9009	440	505	4/6
26	S378-9010	436	505	4/6
27	S378-9312	1846	1011	1/6
28	ZQ2-1560	430	147	4/6
29	ZQ2-1561	426	147	4/6
30	ZQ3-521	500	160	4/6
31	ZQ3-522	500	160	4/6
32	dr-994	994	30	3/6

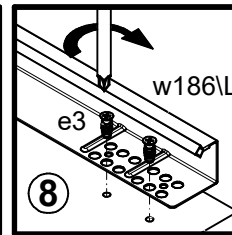
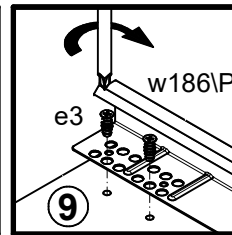
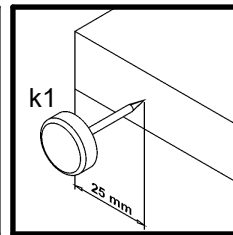
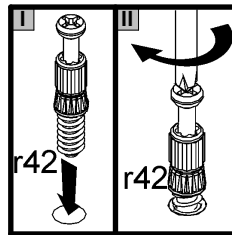
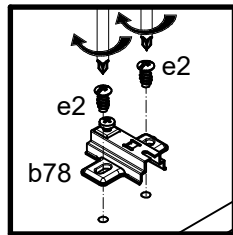
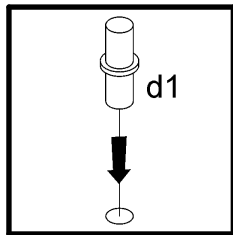
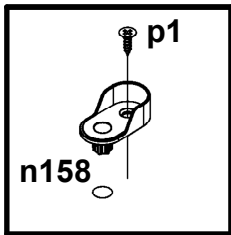
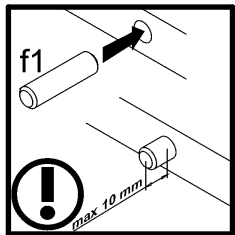




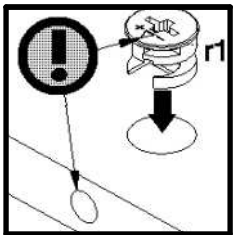
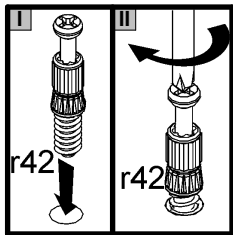
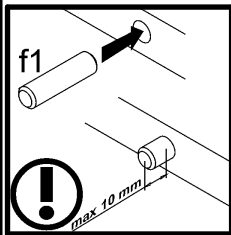
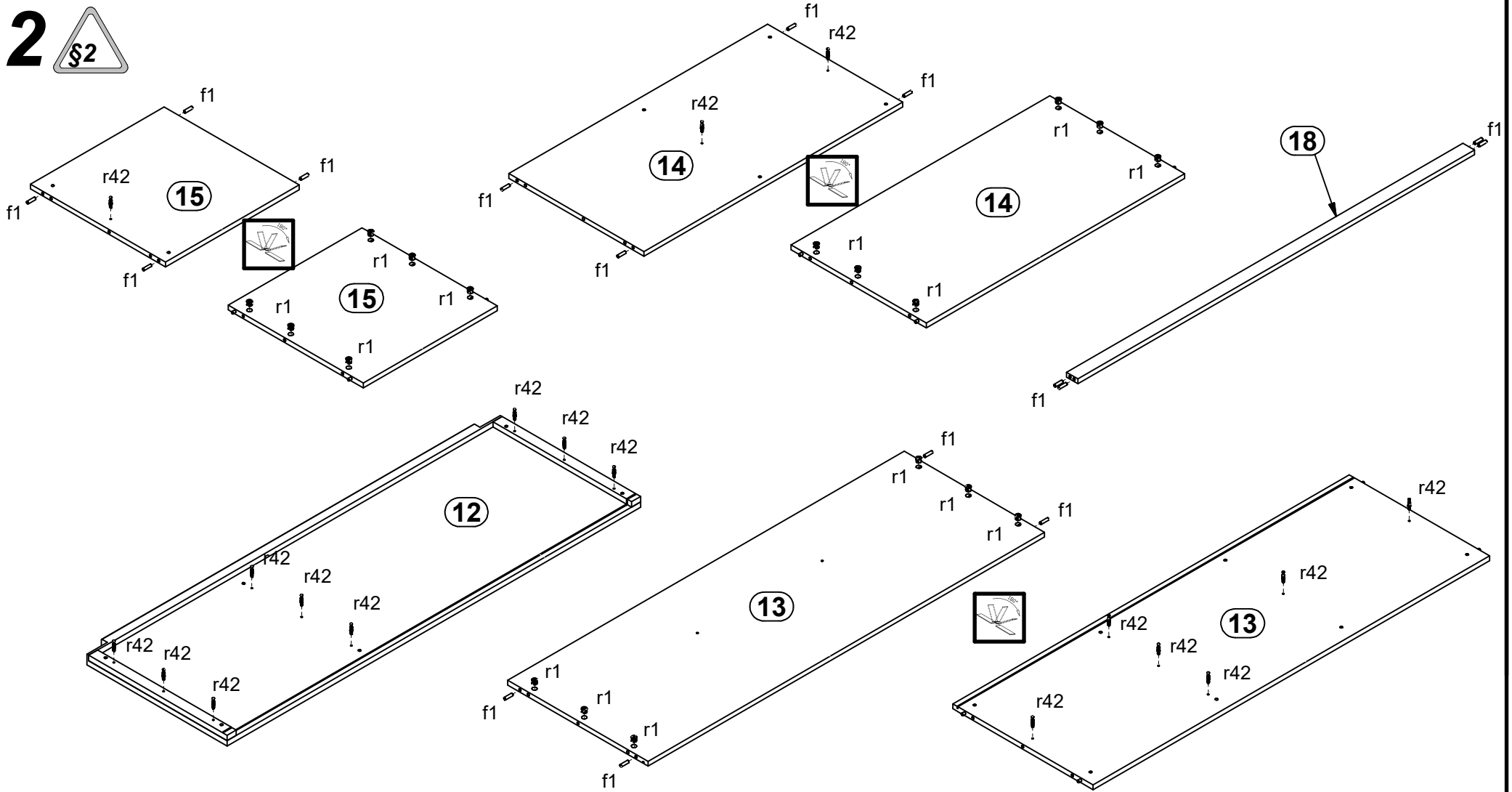
1 



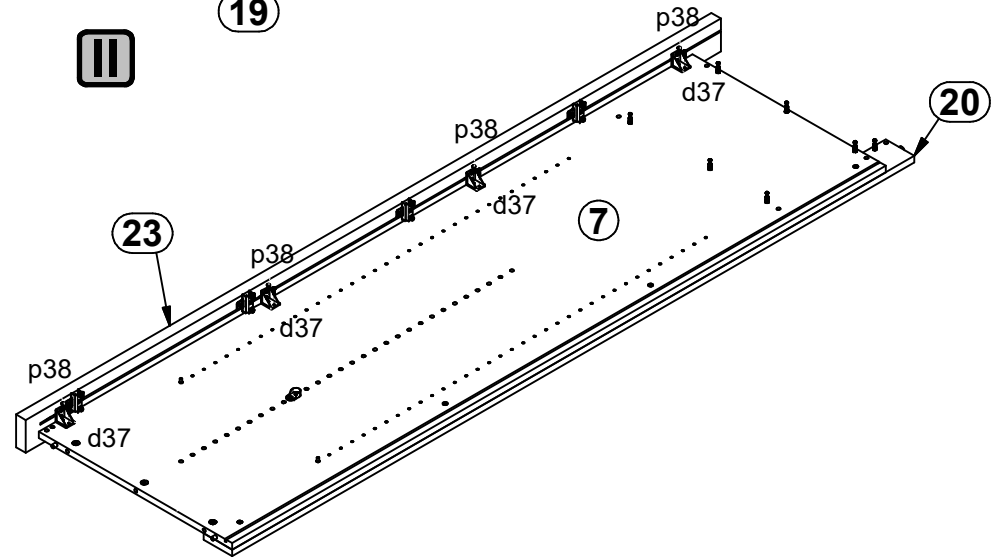
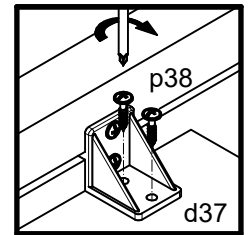
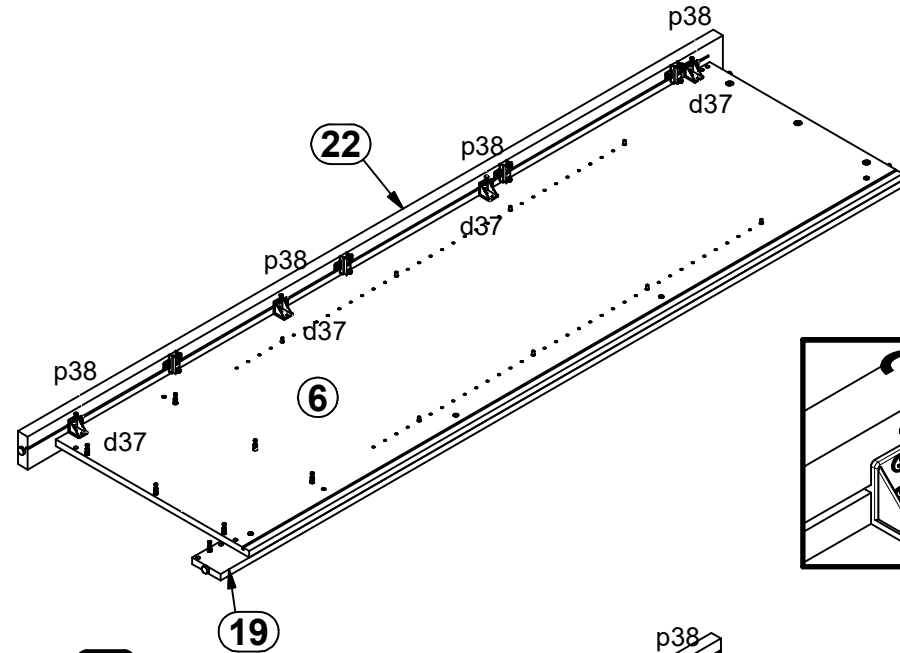
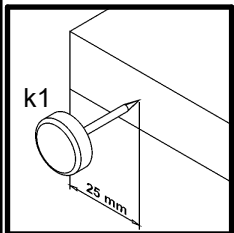
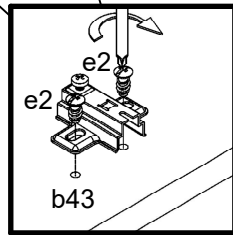
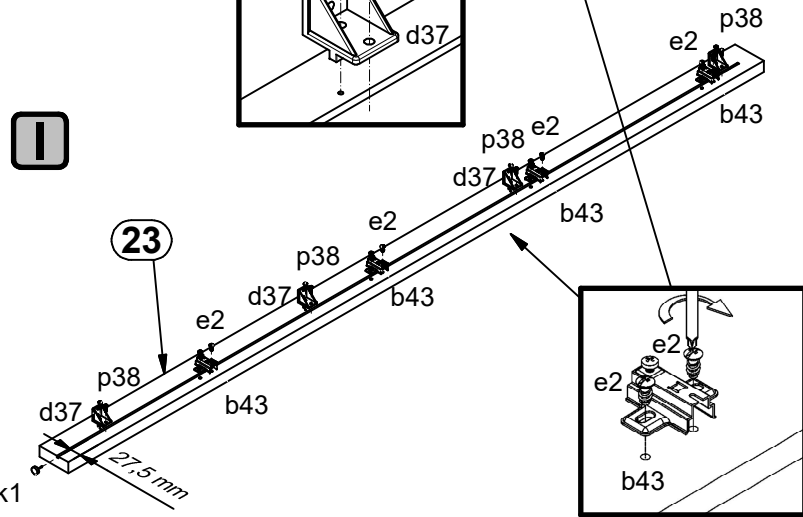
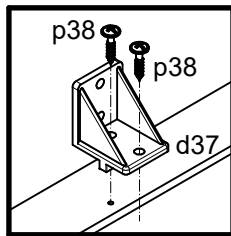
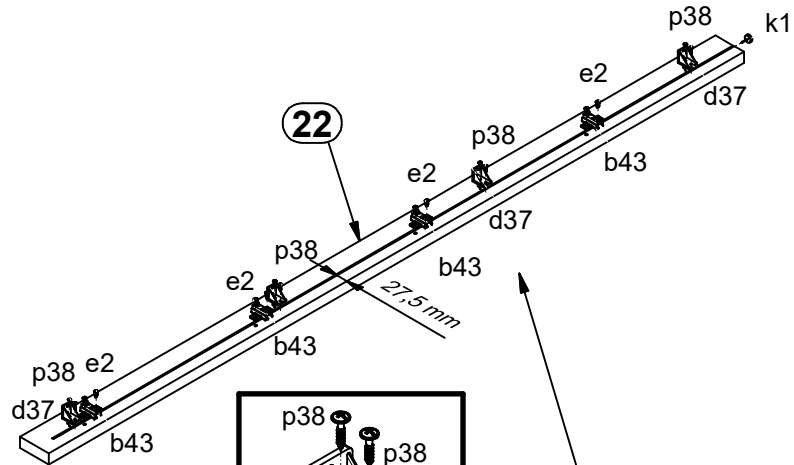
4x  <b>b78</b>	20x  <b>d1</b> Ø5x17 mm	8x  <b>e2</b> Ø6.3x13 mm	8x  <b>e22</b> Ø7x28 mm	8x  <b>e3</b> Ø6x13 mm
20x  <b>f1</b> Ø8x30 mm	6x  <b>f13</b> Ø8x20 mm	2x  <b>k1</b>	2x  <b>n158</b>	2x  <b>p1</b> Ø3.5x13 mm
18x  <b>r1</b> Ø15x12 mm #16	20x  <b>r42</b> 20/11	1x  <b>w186/L</b> 500 mm	1x  <b>w186/P</b> 500 mm	1x  <b>z1</b> 4 mm








**2** 

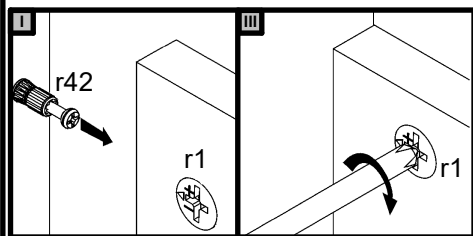
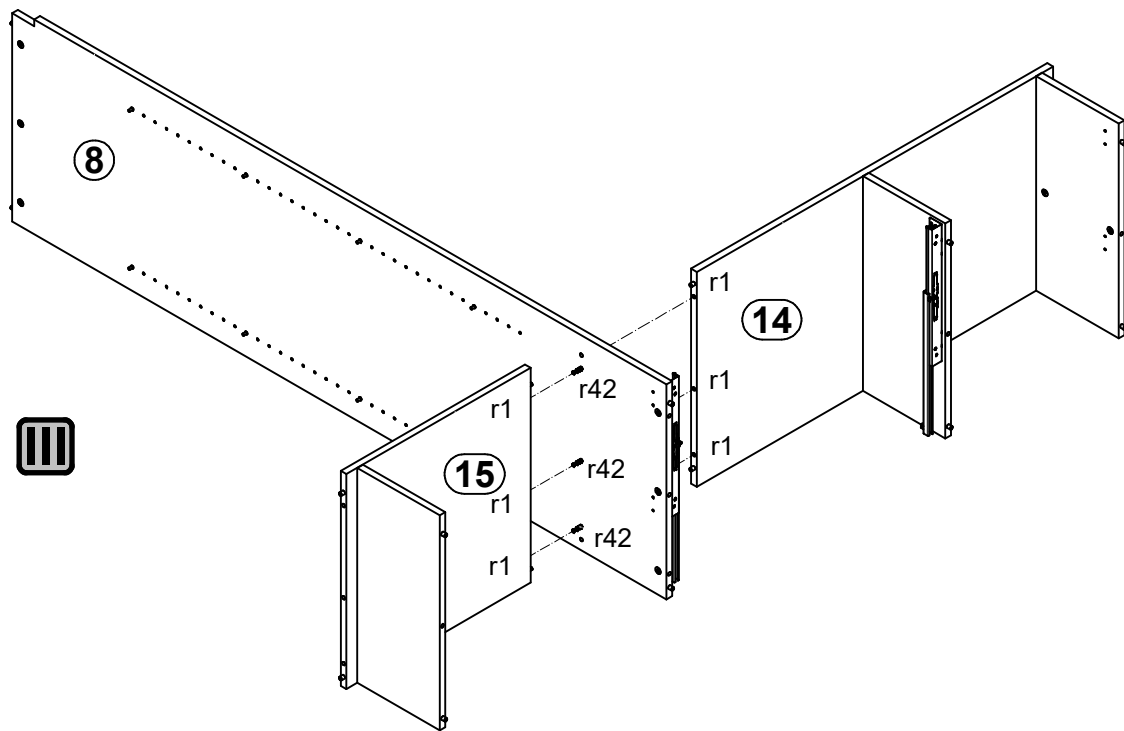
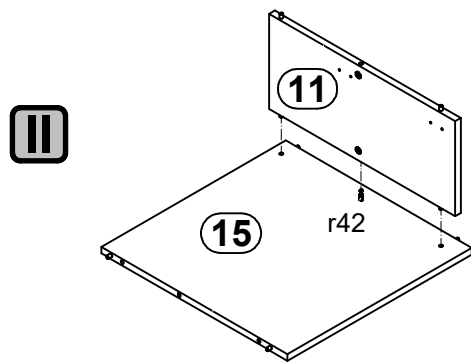
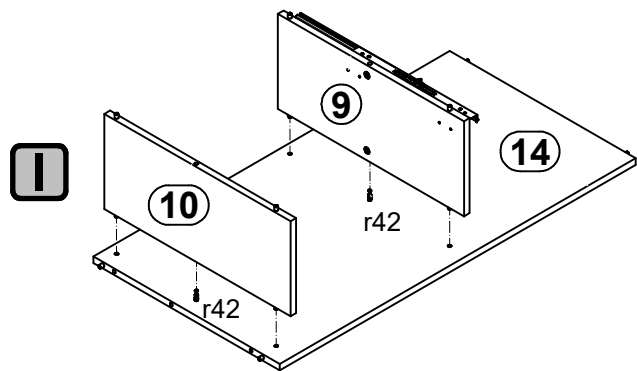


3 §2

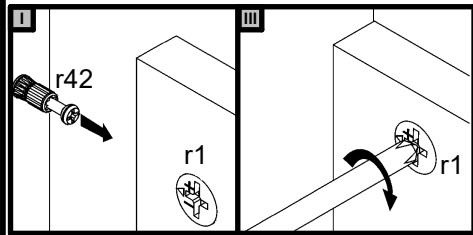
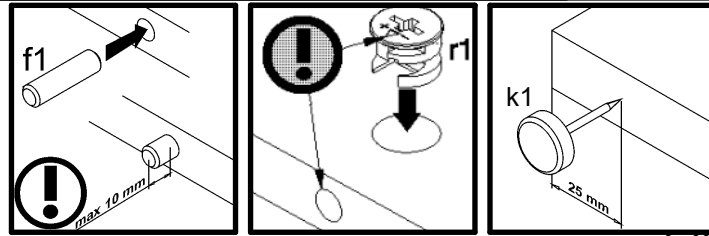


- 8x  b43
- 8x  d37
- 16x  e2  
Ø6,3x13 mm
- 2x  k1
- 32x  p38  
Ø3,5x16 mm

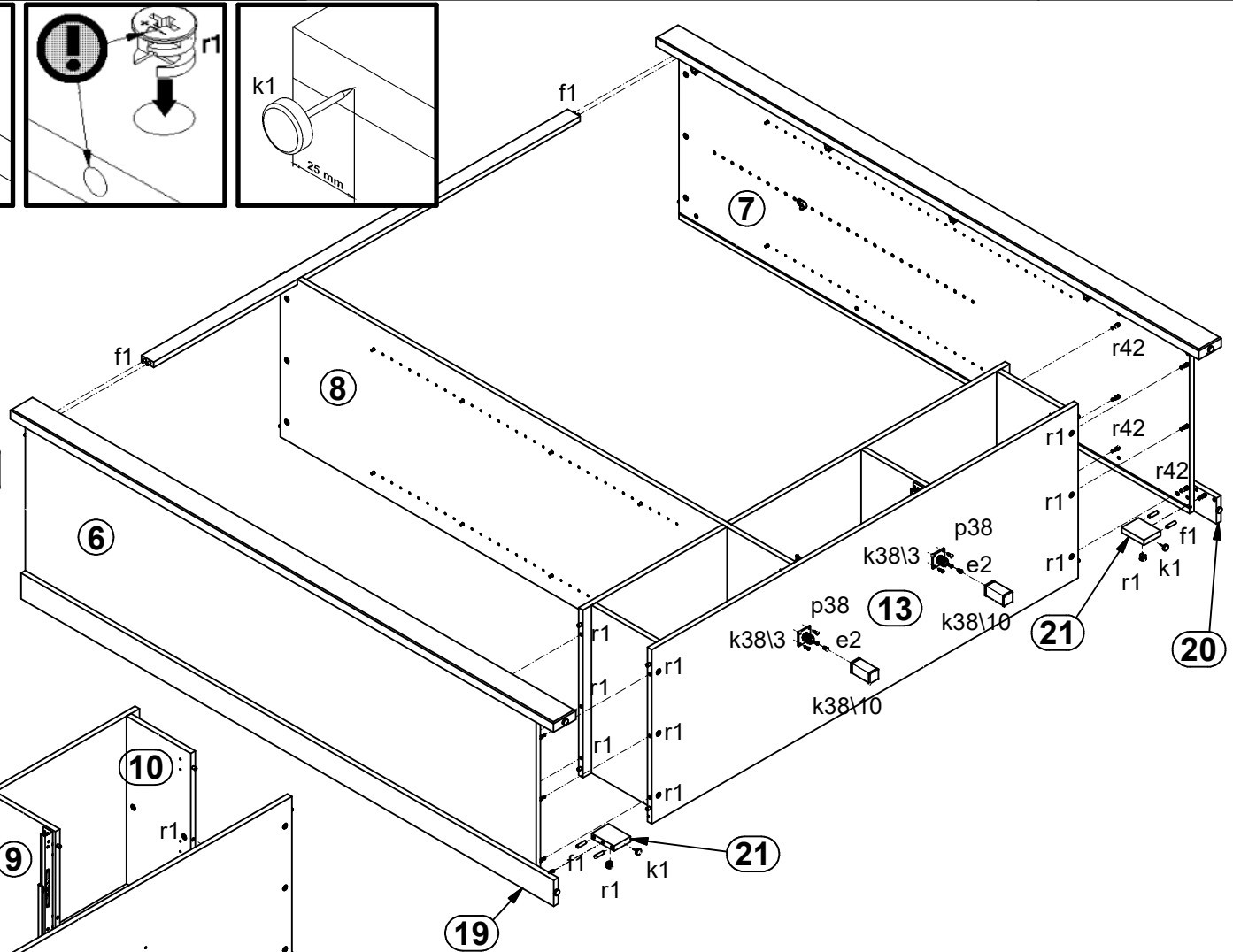
**4** 



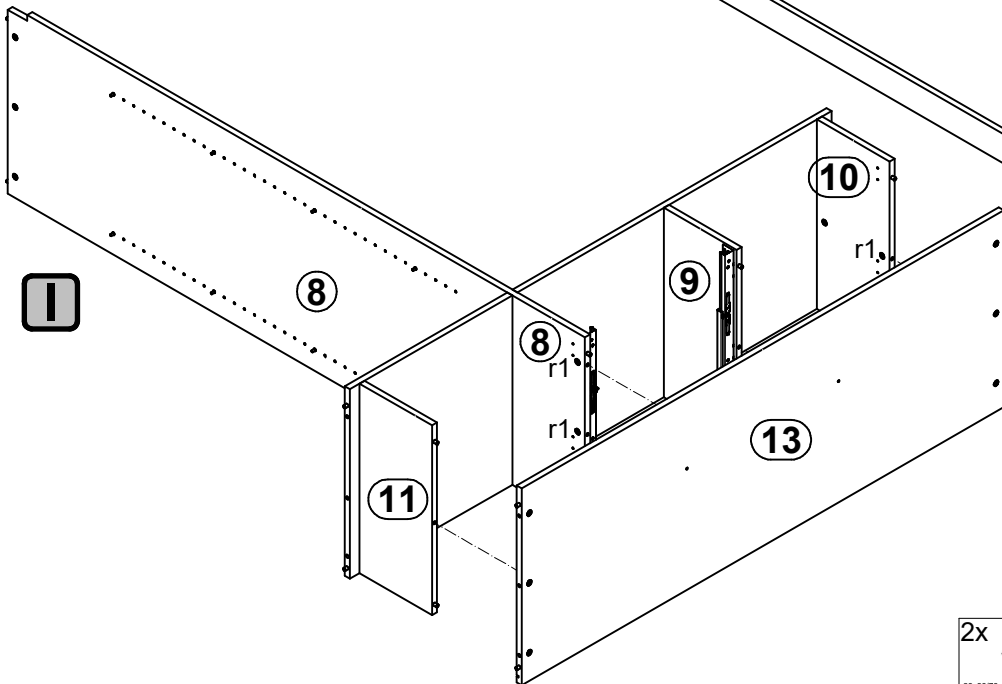
**5** 






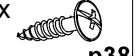



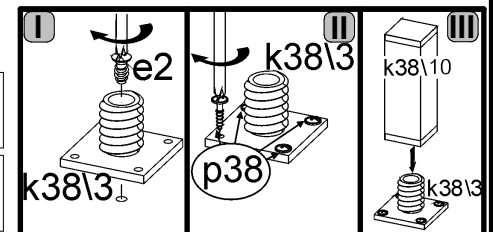
**II**



**I**

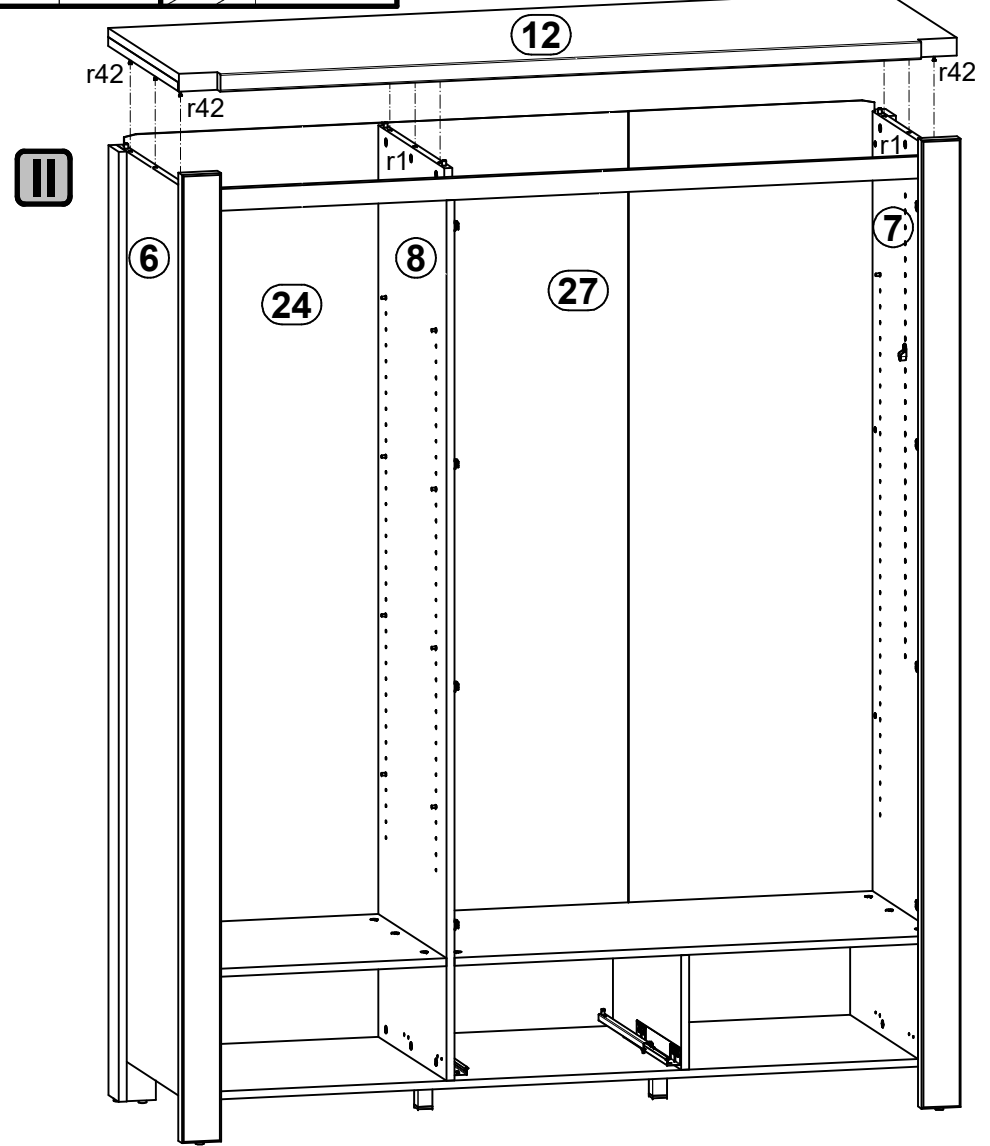
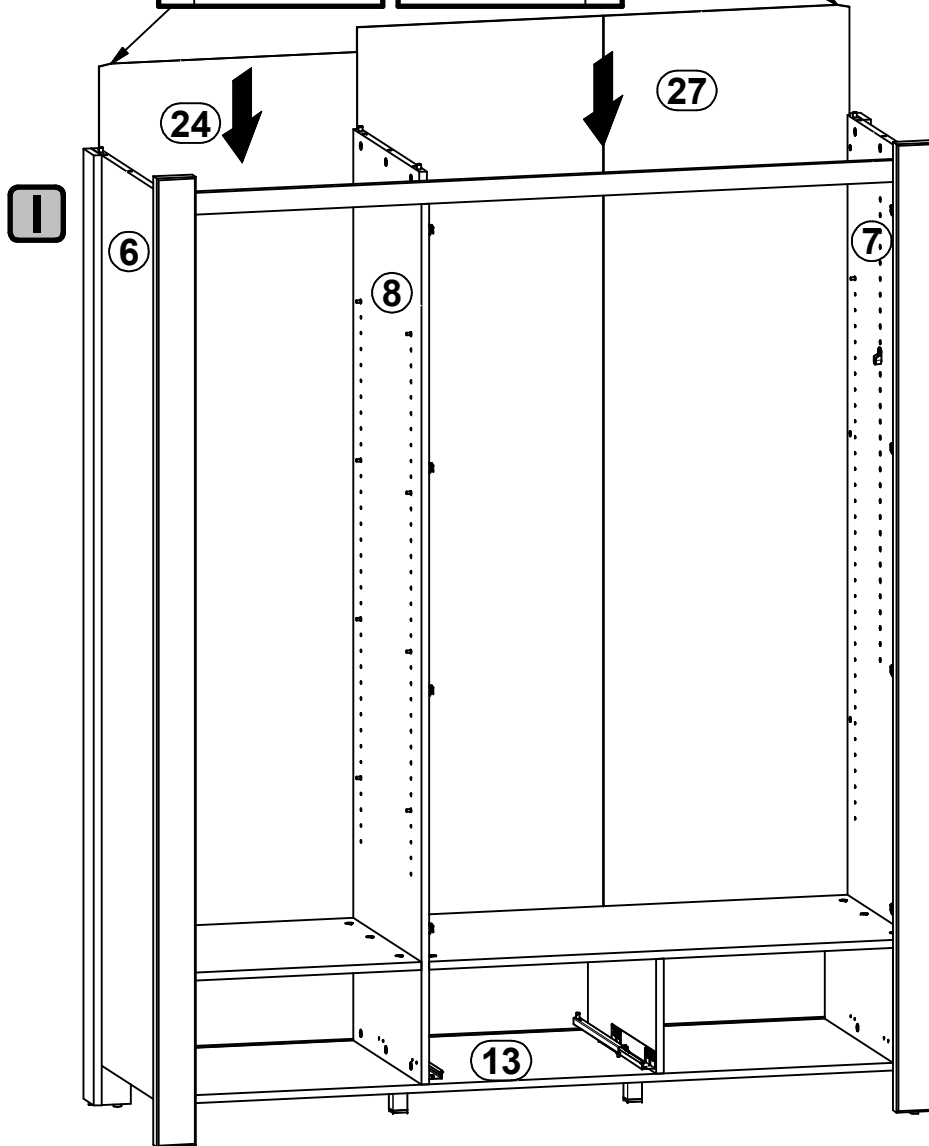
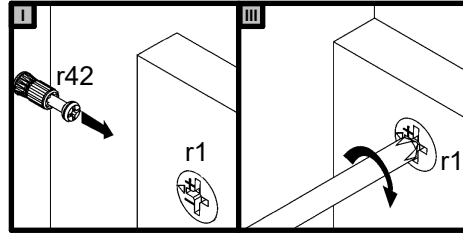
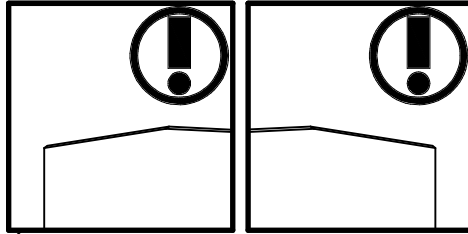


2x  Ø6,3x13 mm e2	4x  Ø8x30 mm f1	2x  k1
2x  30x30/70 mm k38\10	2x  42,5x42,5/4 mm k38\13	8x  Ø3,5x16 mm p38
		2x  Ø15x12 mm #16 r1

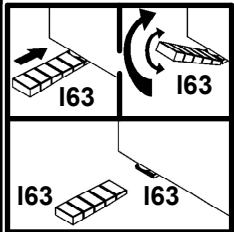
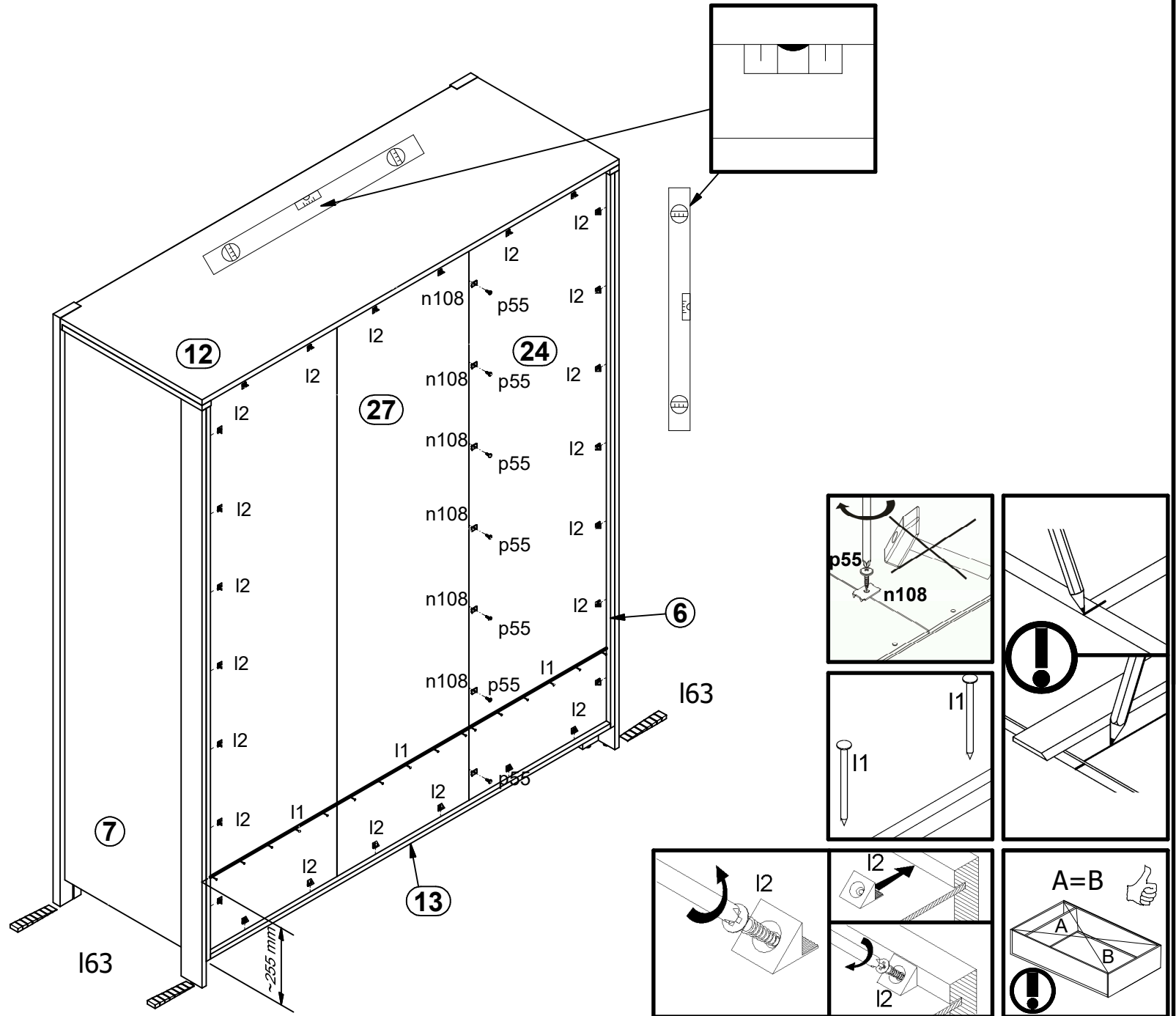




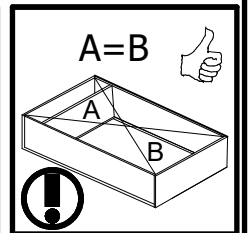
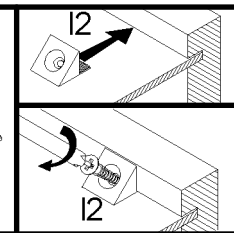
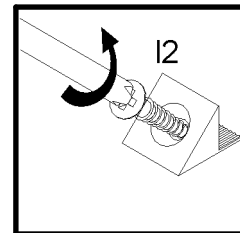
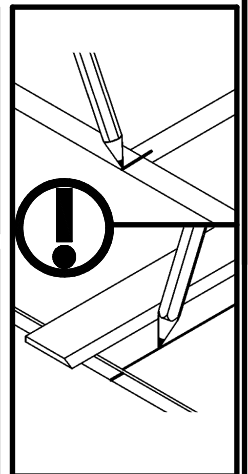
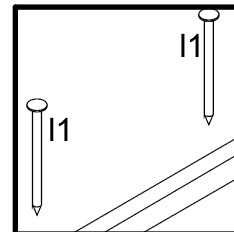
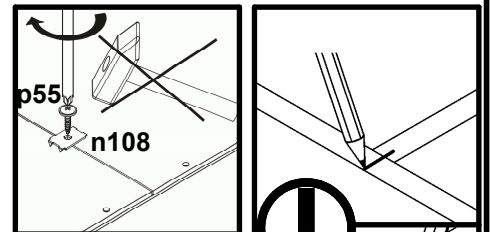
6



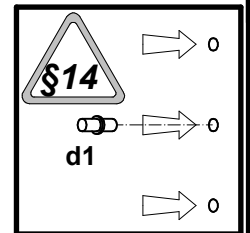
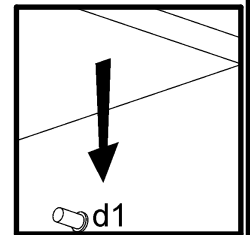
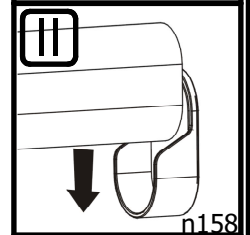
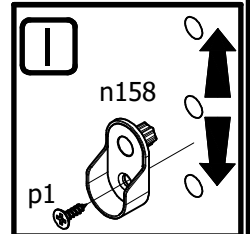
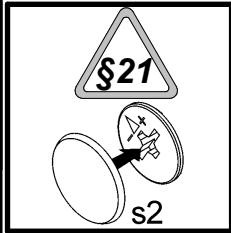
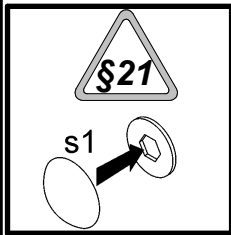
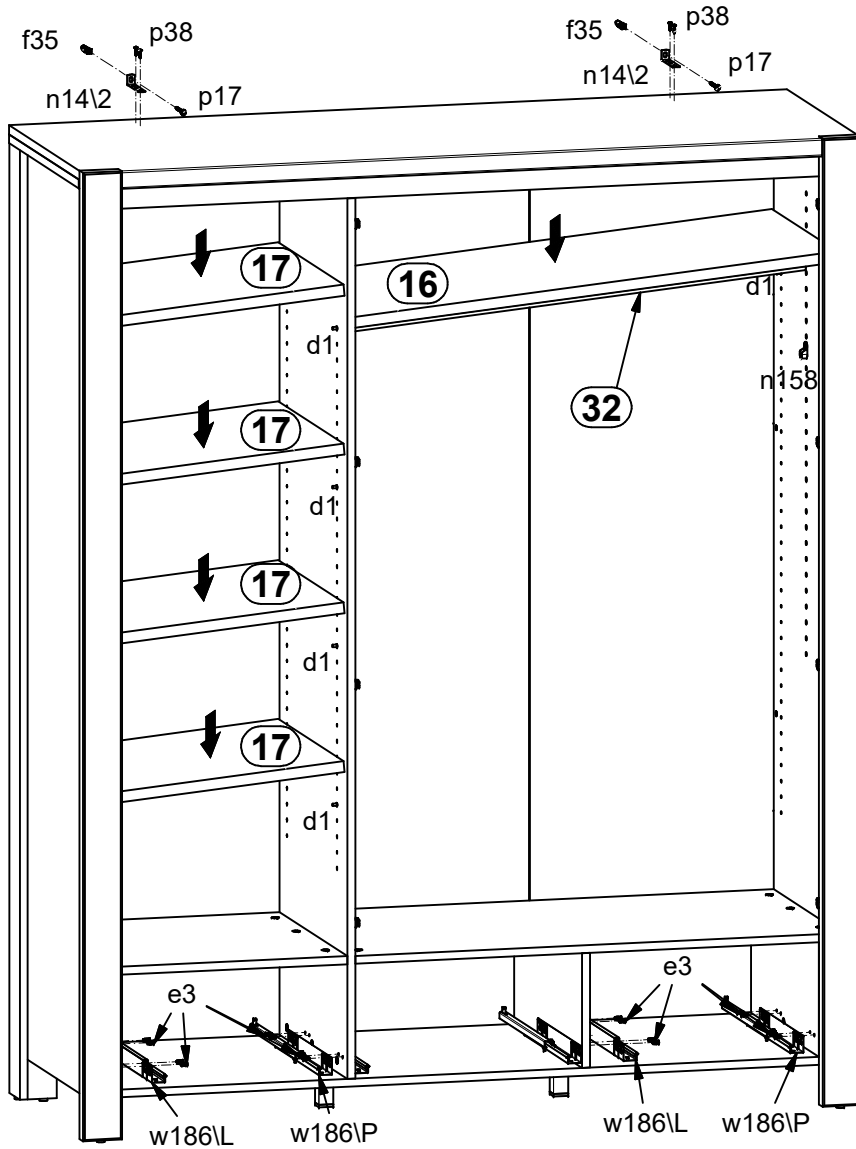
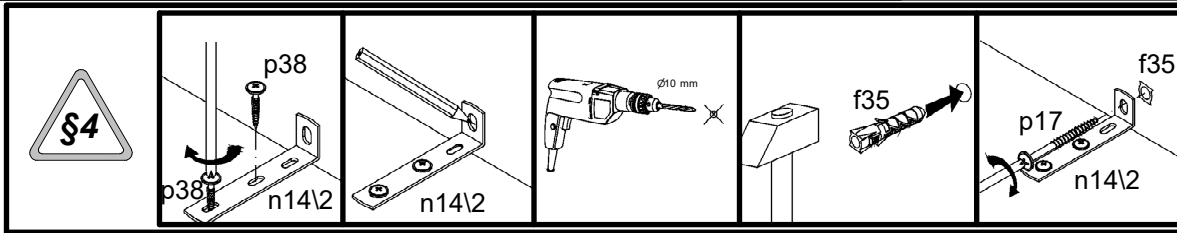
7



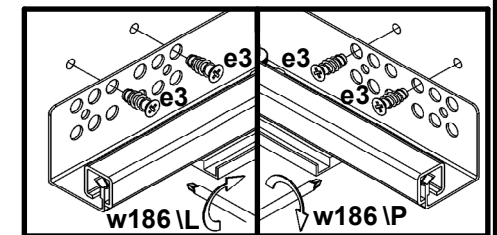
- 15x 1.4x20 mm I1
- 26x I2
- 4x I63
- 7x 22x9.5x210.7 mm n108
- 7x Ø2.9x16 mm p55



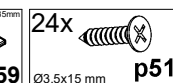
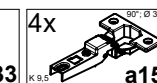
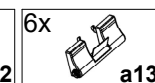
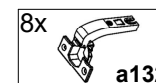
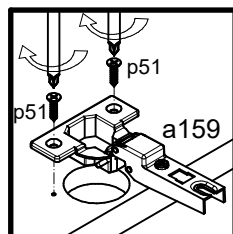
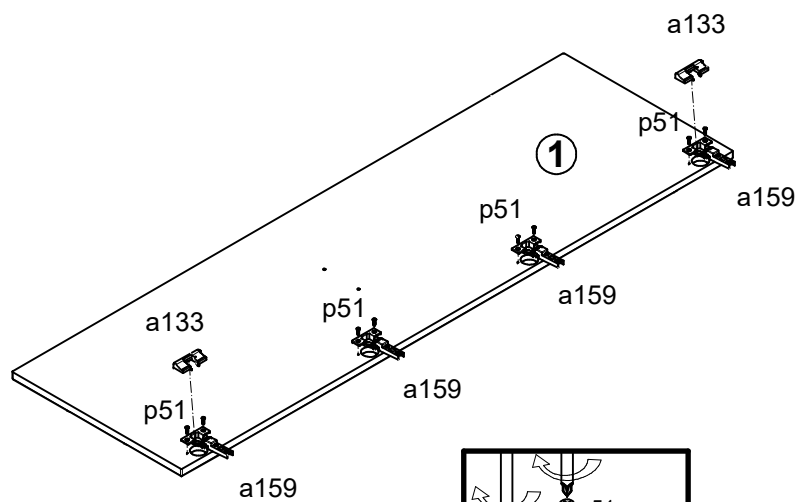
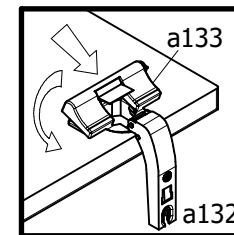
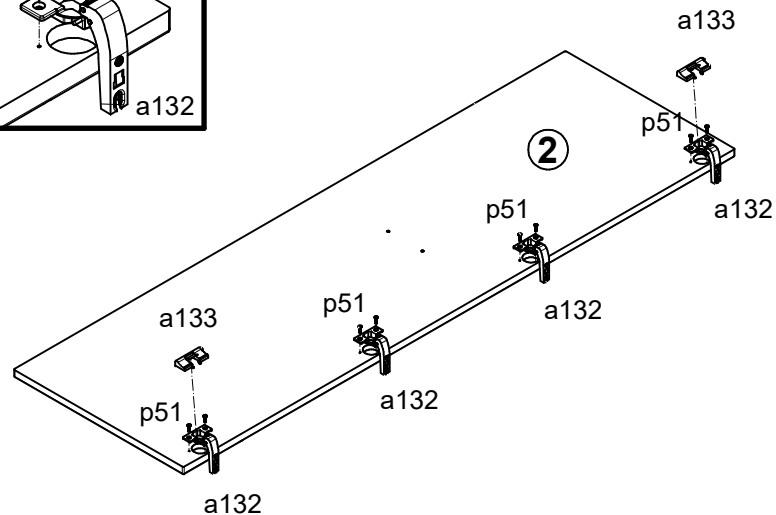
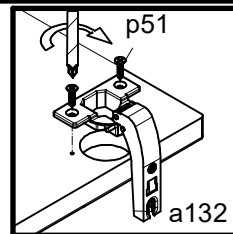
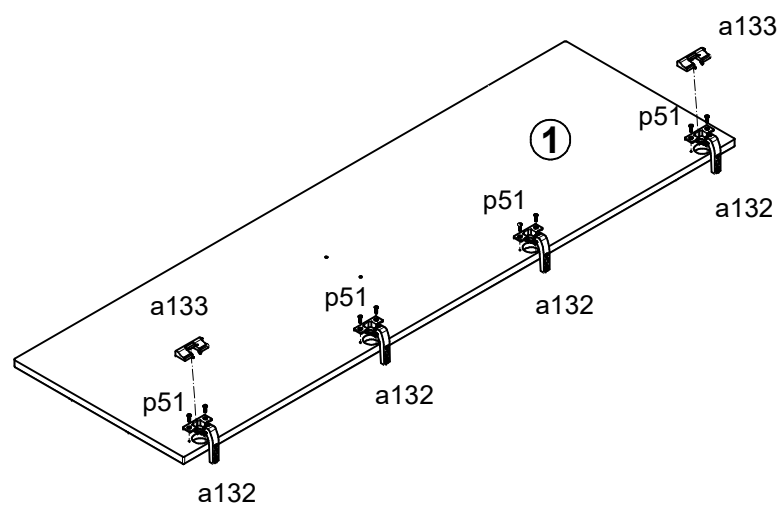
8



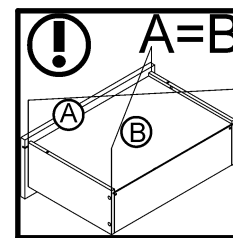
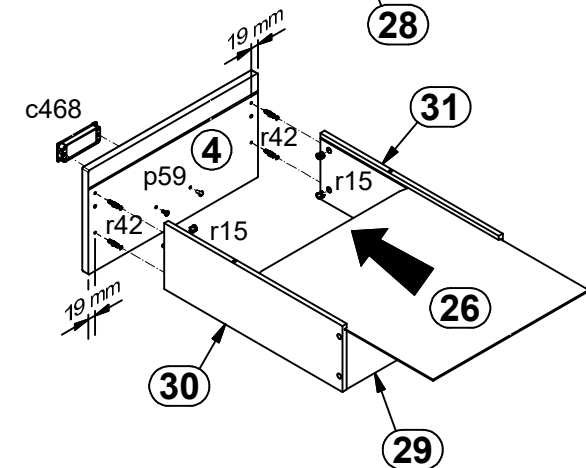
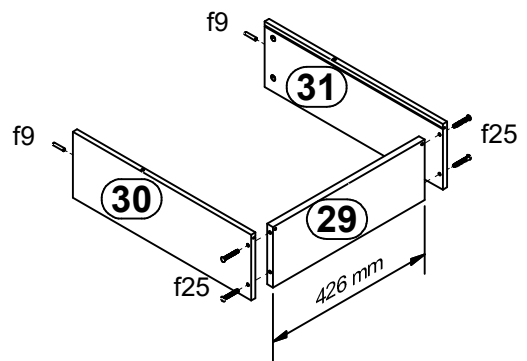
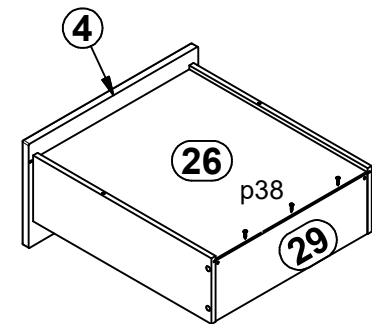
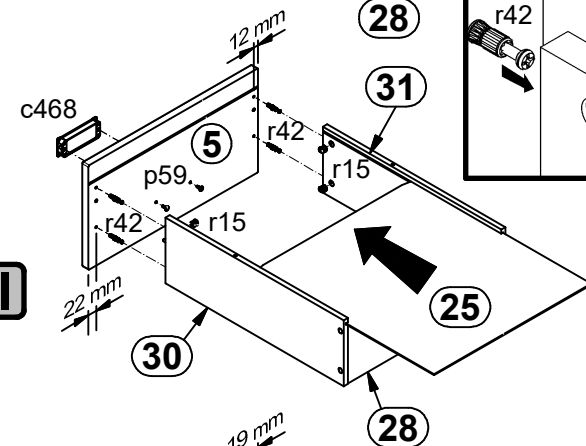
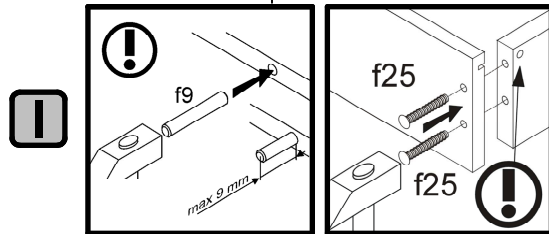
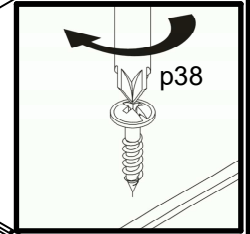
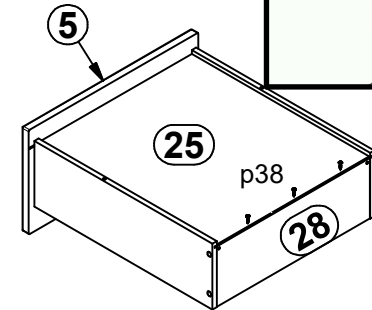
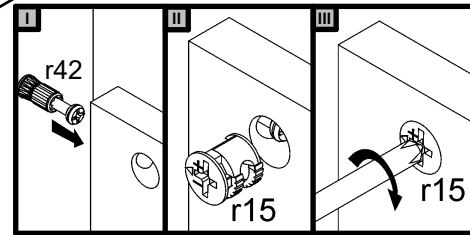
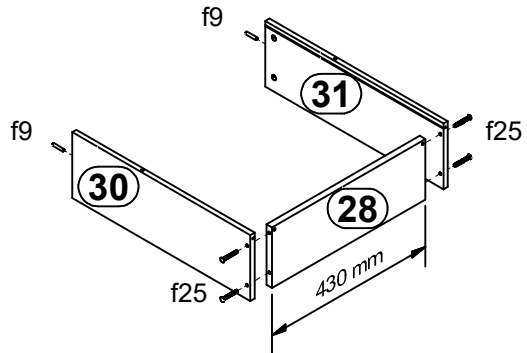
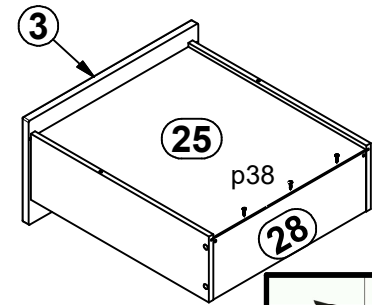
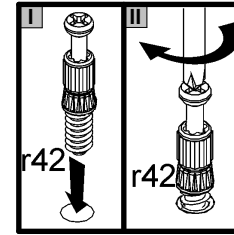
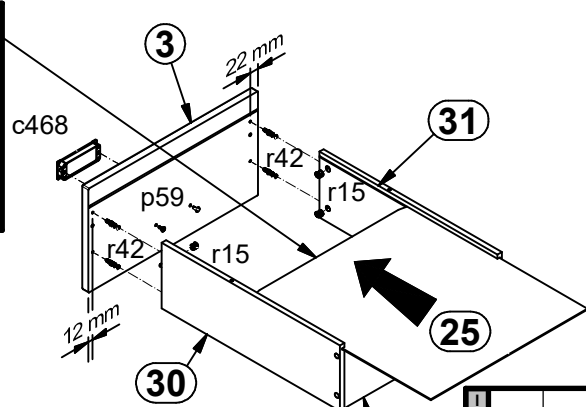
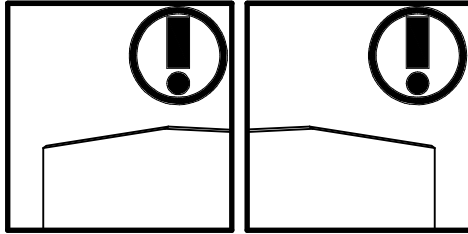
16x Ø6x13 mm e3	2x Ø10x50 mm f35	2x 88x21x15/1.5 n14\2
2x Ø5x60 mm p17	4x Ø3.5x16 mm p38	2x 500 mm w186\L
2x 500 mm w186\p	6x s1	21x Ø16 s2



# 9



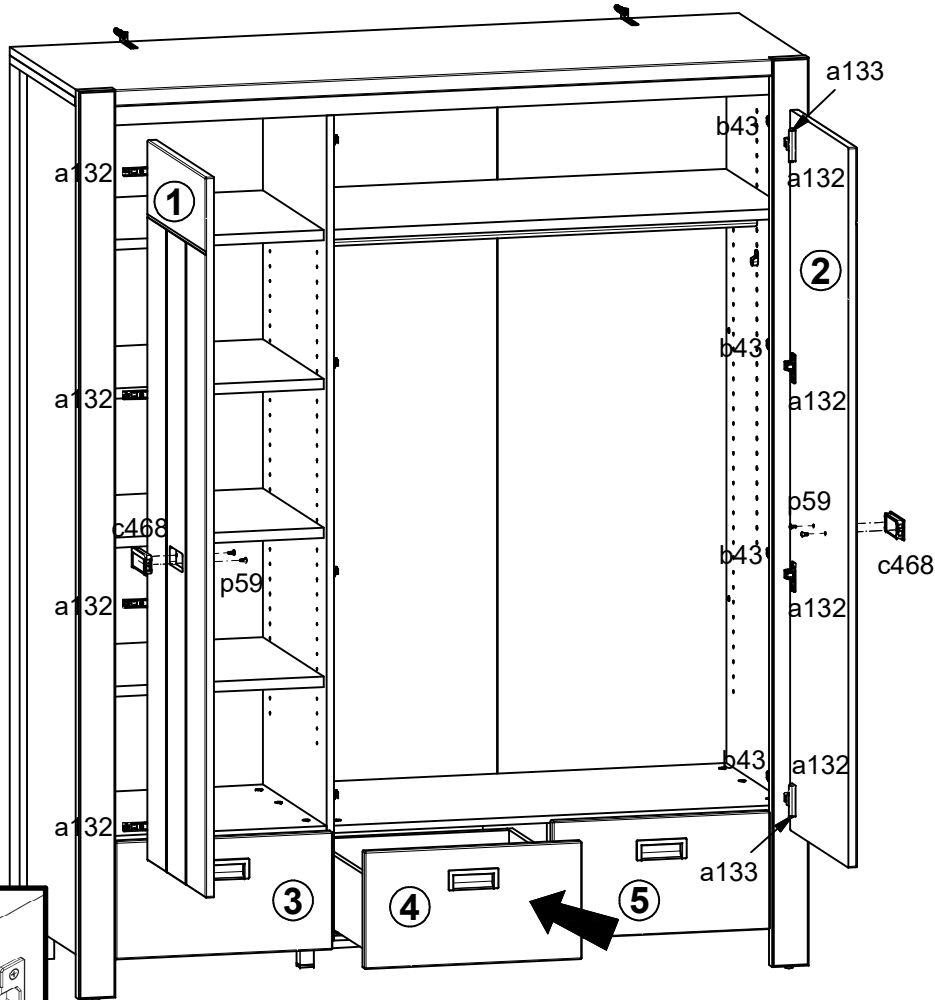
10


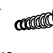


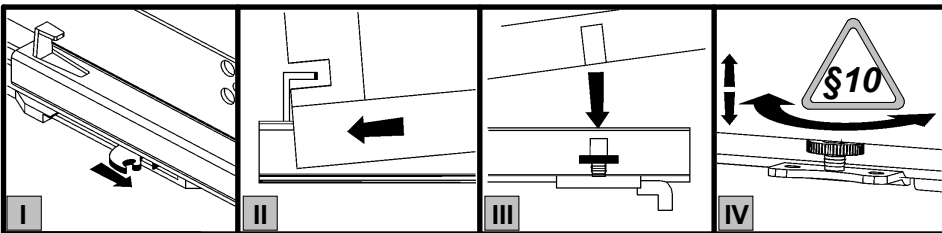
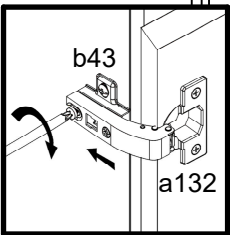
3x 96 mm c468	12x Ø6,5x40 mm f25	6x Ø6x30 mm f9
9x Ø3,5x16 mm p38	6x Ø4x12 mm p59	12x Ø12x10,5 mm #12 r15
		12x 20/11 r42

# 11

I



- 3x  **c468**  
96 mm
- 6x  **p59**  
Ø4x12 mm



II

