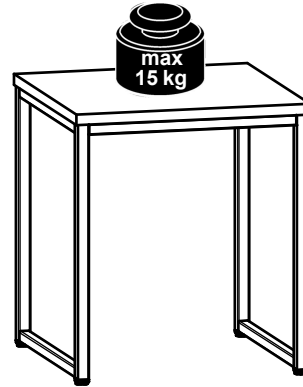
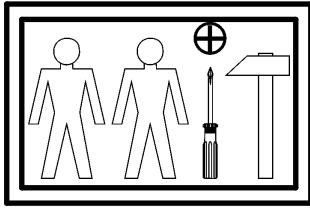
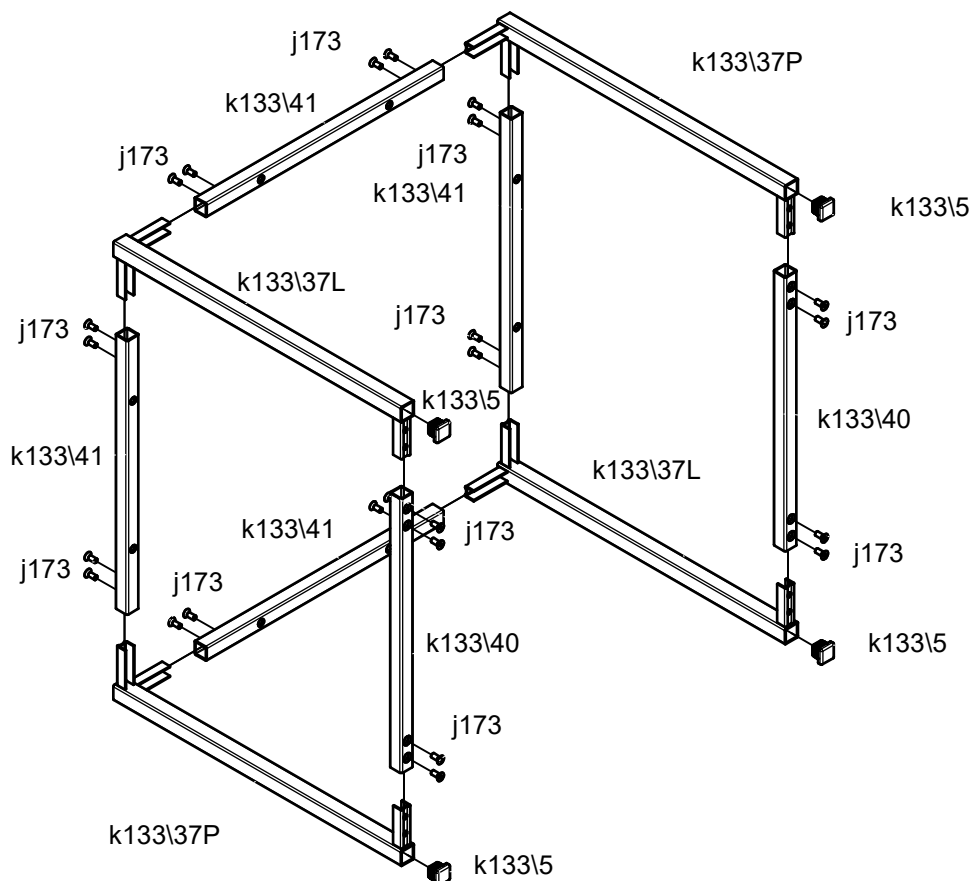


A**D05034-LAW/40**

A	B	C	D
1	D05034-20 01	400	400
			1/2



8x Ø6.3x26 mm e52	24x M5x12 mm j173	4x Ø20x3mm k103	2x k133\37L	2x k133\37P	2x L-355mm 18x18 k133\40	4x L-355mm 18x18 k133\41	4x 20x20 k133\5	1x 3 mm z22
--------------------------------	--------------------------------	------------------------------	-----------------------	-----------------------	--	--	------------------------------	--------------------------

1

2

