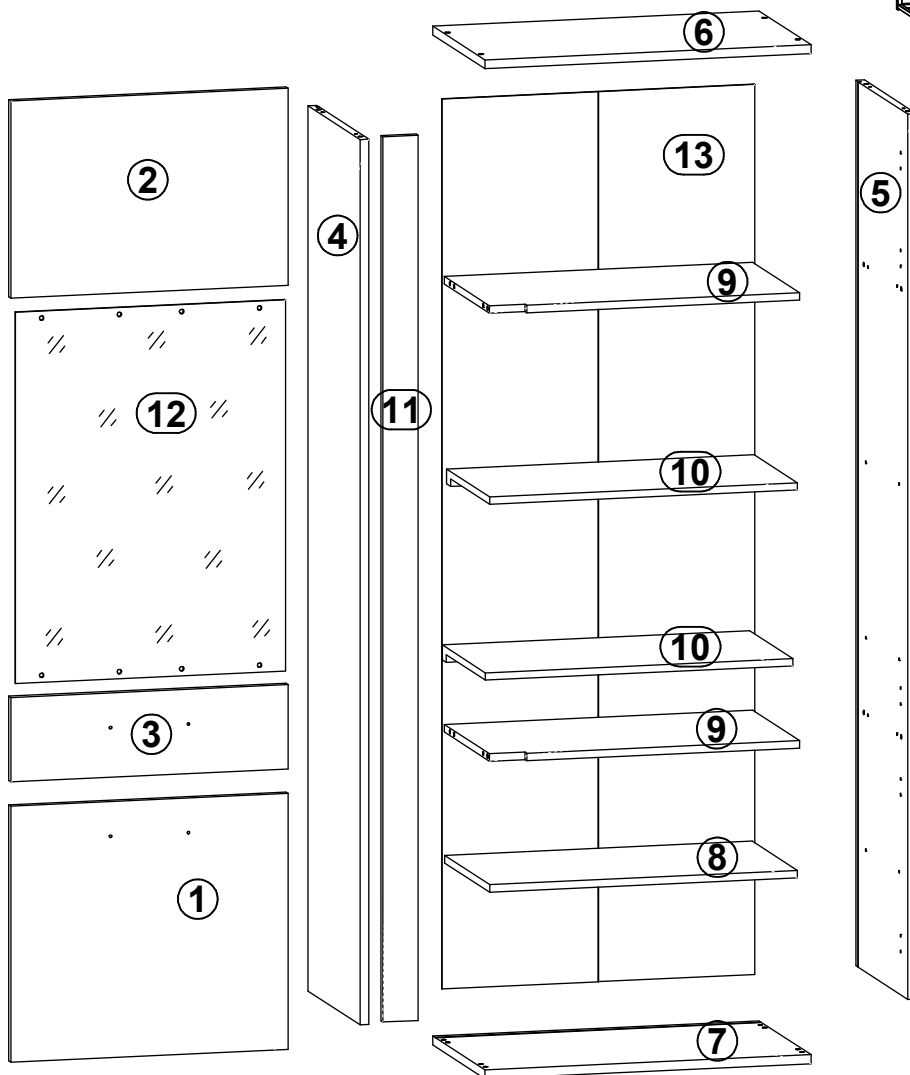
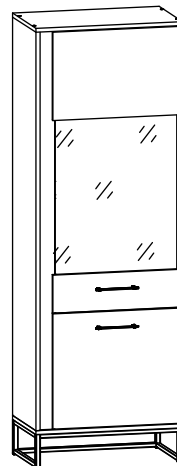
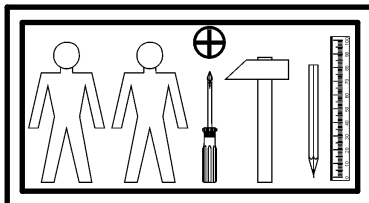


A

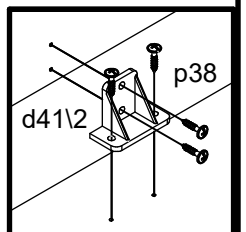
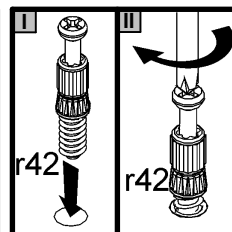
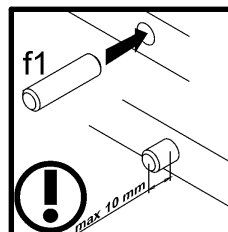
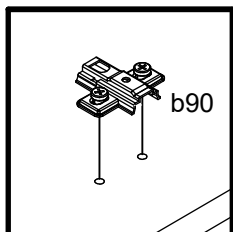
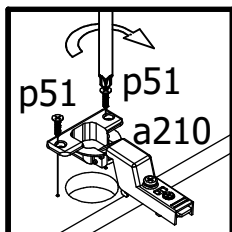
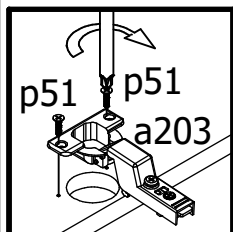
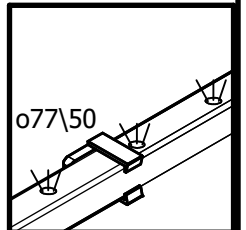
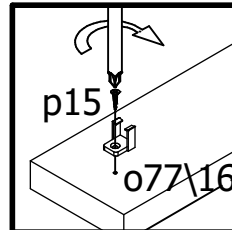
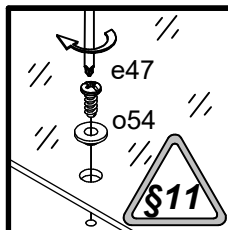
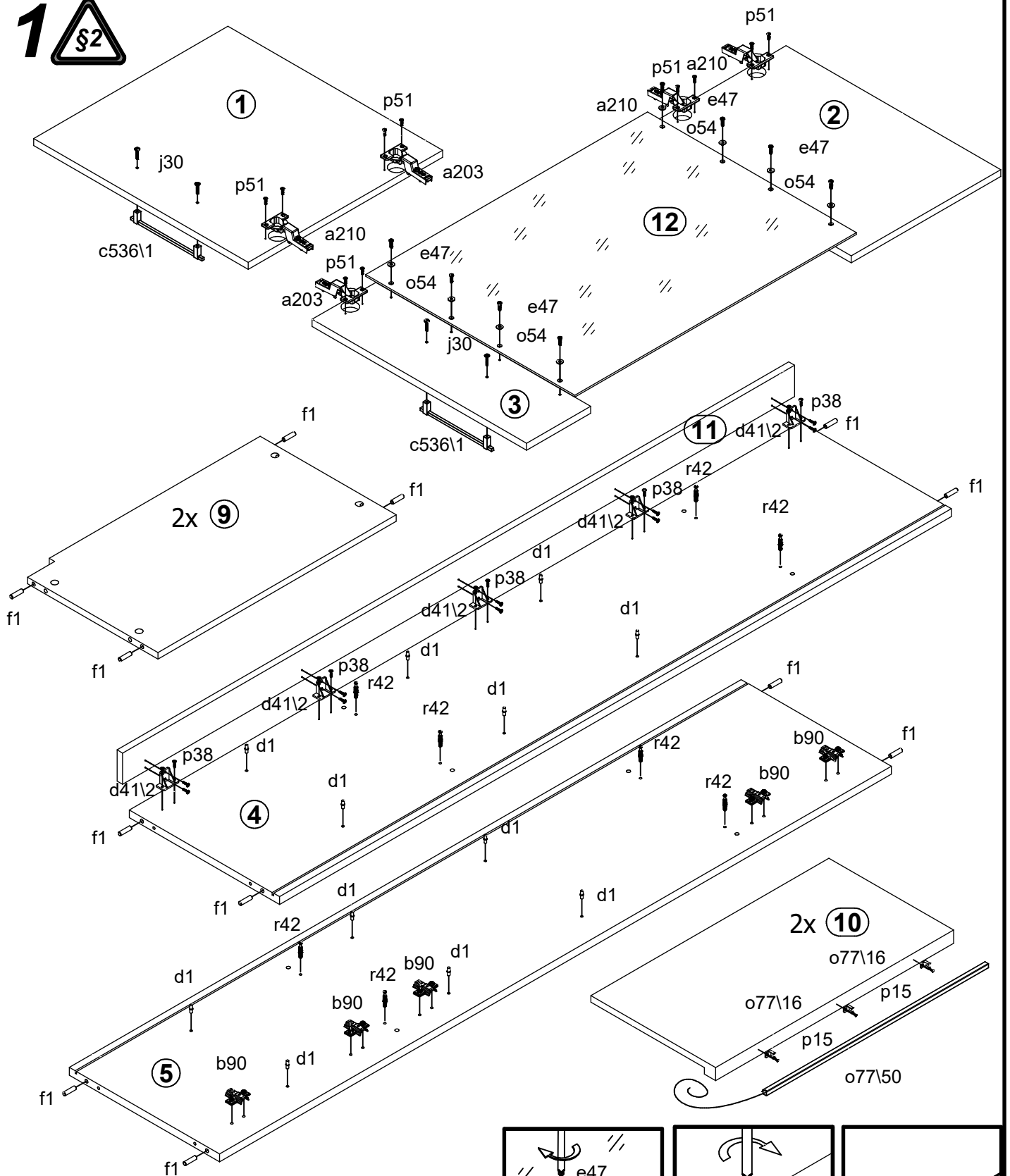
LUTON S473-REG1D1W/20/7/P

A	B	C	D
1	S473-0014	570	516
2	S473-0018	570	397
3	S473-0019	570	170
4	S473-1023	1784	399
5	S473-1024	1784	399
6	S473-2011	670	400
7	S473-2012	670	400
8	S473-3011	632	346
9	S473-3012	633	361
10	S473-3013	632	331
11	S473-5007	1784	72
12	S473-5502	748	555
13	S473-9310	1794	643

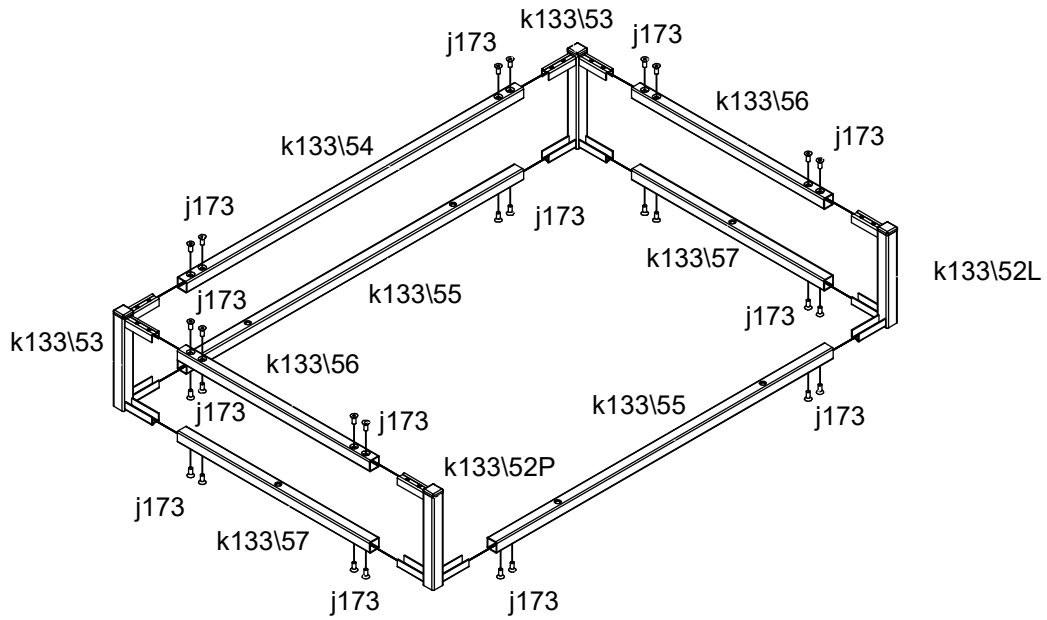


2x hamulec a203	3x a210	5x b90	2x c536/1	12x Ø5x17 mm d1	5x d41/2	8x Ø7x50 mm e1	4x Ø6x30 mm e16	8x Ø5x16 mm e47
16x Ø8x30 mm f1	28x M5x12 mm j173	4x M4x22 mm j30	1x k133/52L	1x k133/52P	2x k133/53	1x L-630mm 18x18 k133/54	2x L-630mm 18x18 k133/55	2x L-360mm 18x18 k133/56
2x L-360mm 18x18 k133/57	12x l2	8x Ø5,3/Ø8,3x4,8 mm o54	6x o77/16	2x 10x10 mm L=590 mm o77/50	6x Ø2,5x13 mm p15	21x Ø3,5x16 mm p38	10x Ø3,5x15 mm p51	4x Ø2,9x16 mm p55
8x Ø15x12 mm #16 r1	8x 20/11 r42	4x Ø 20mm s68	1x Zasilacz 6W 12V z okablowaniem 4m, wyłącznik nożny, rozdzielacz 3 punkty o70	1x 4 mm z1	1x 3 mm z22	1x n26/1		

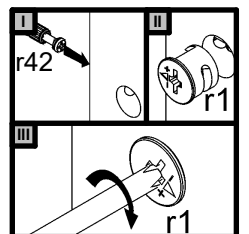
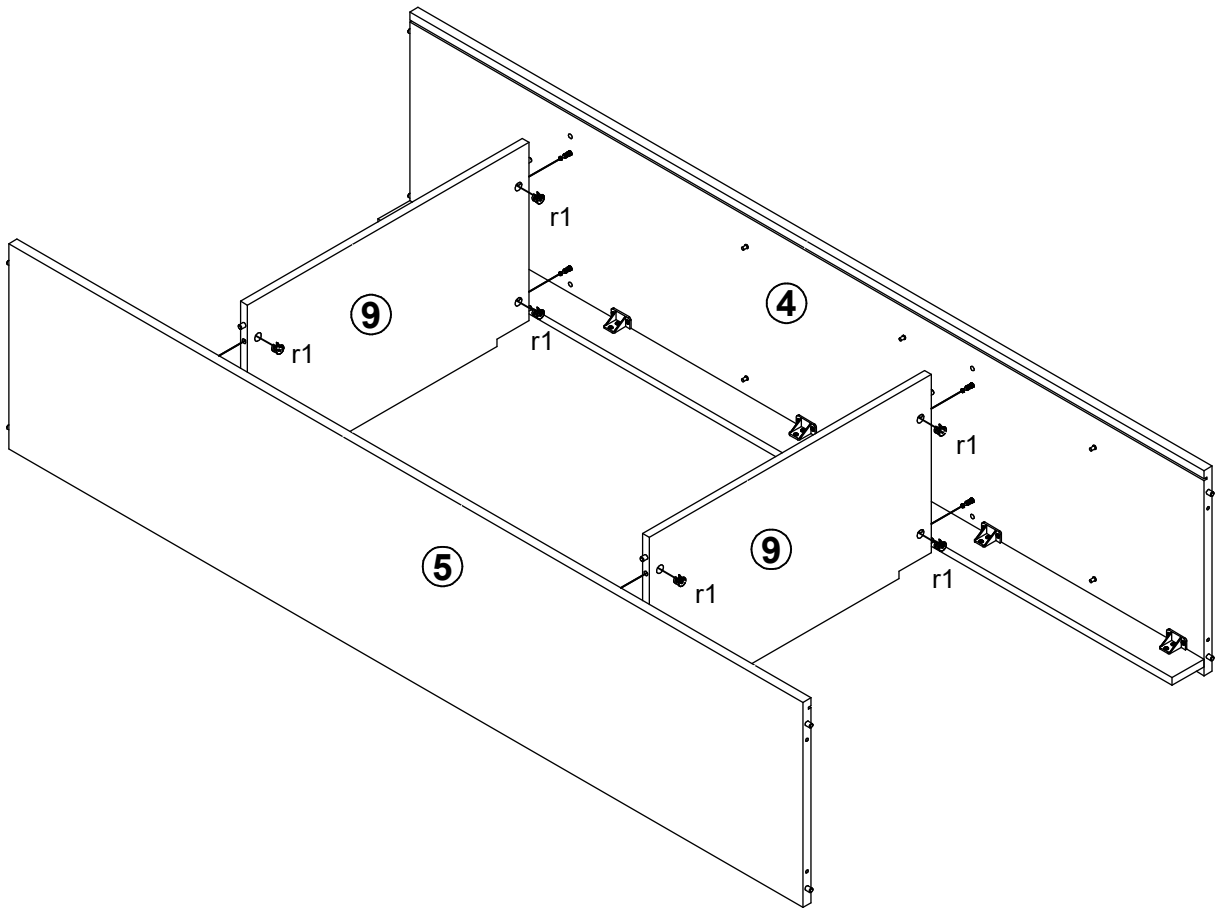
1 

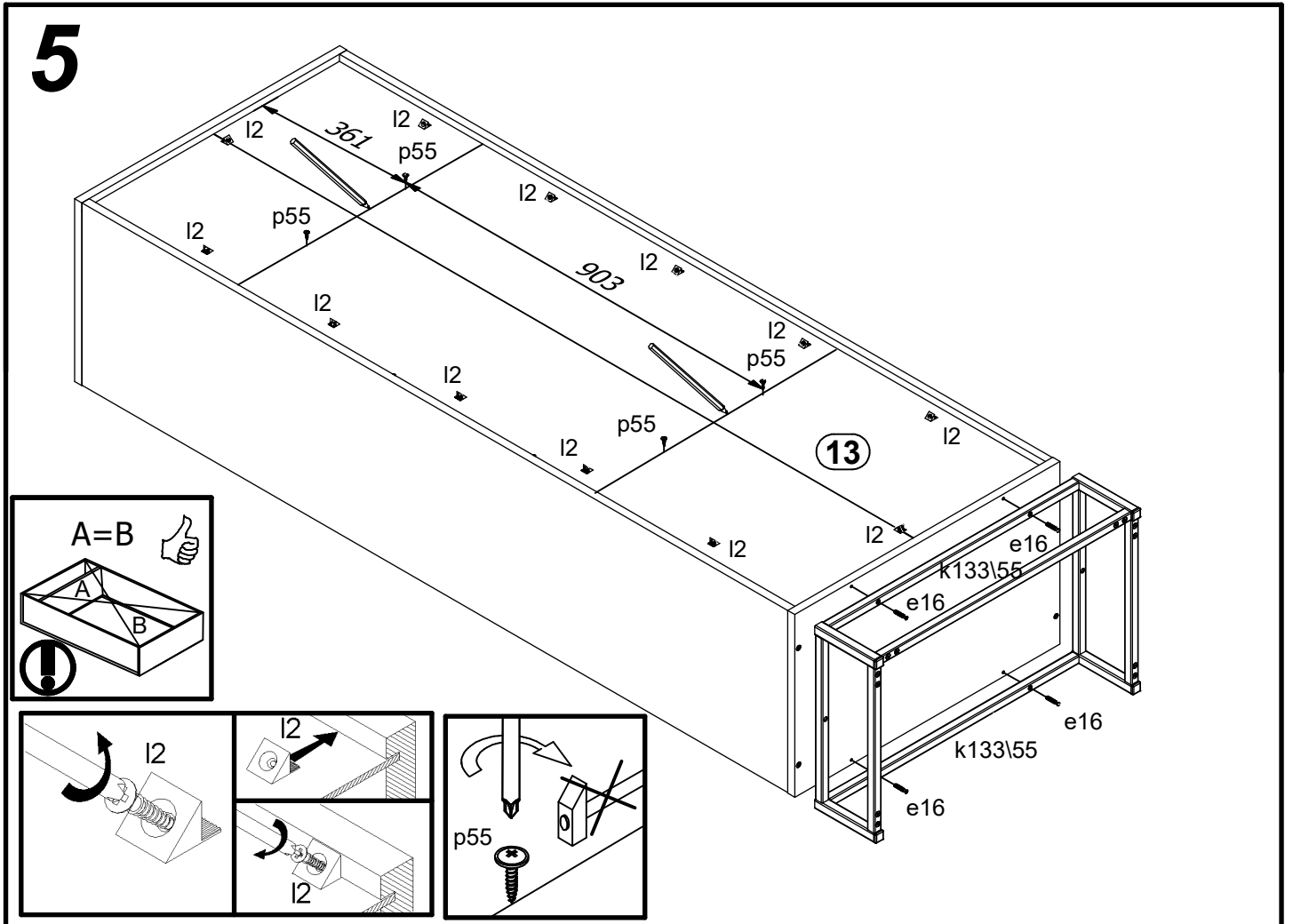
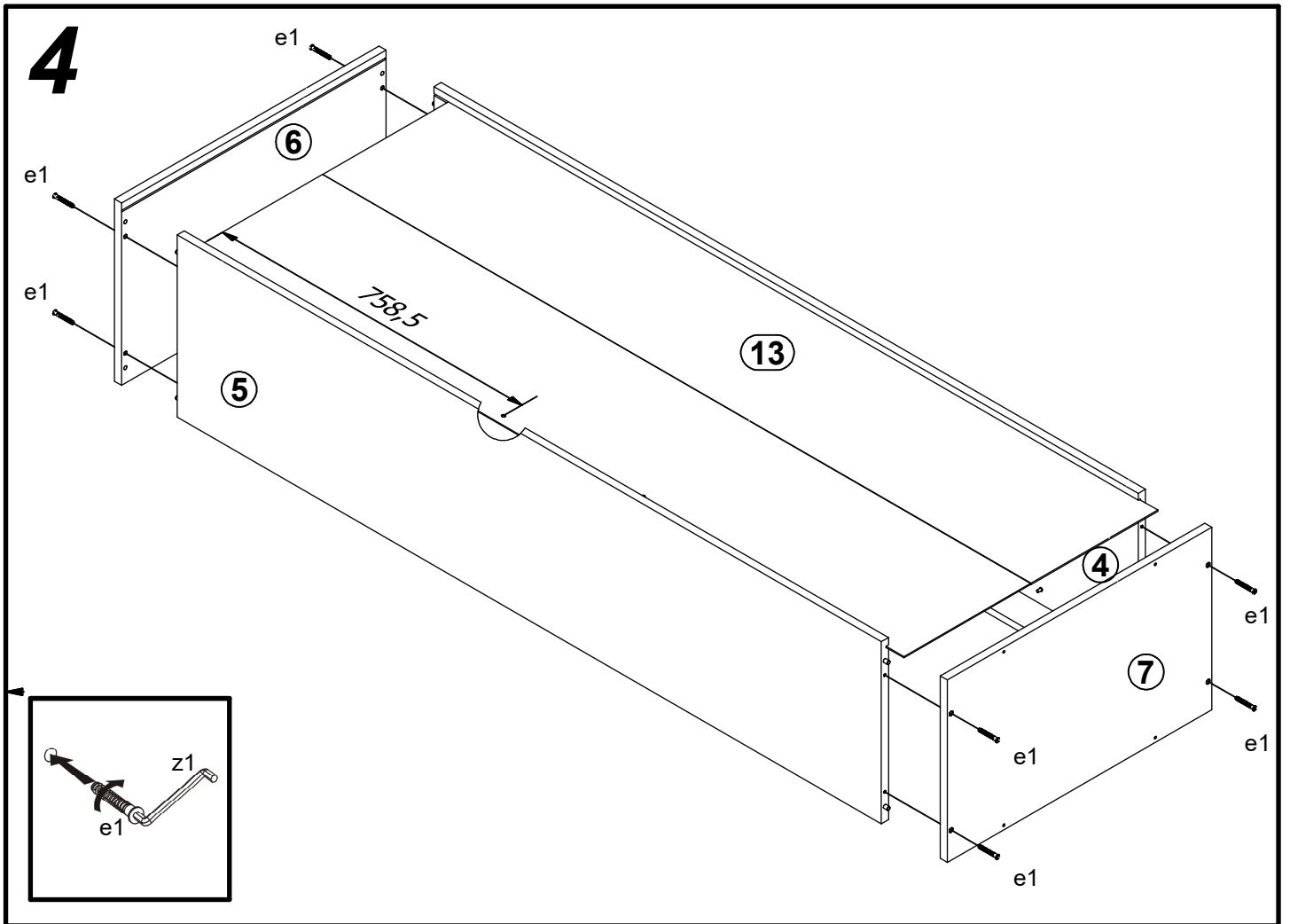


2



3





6

