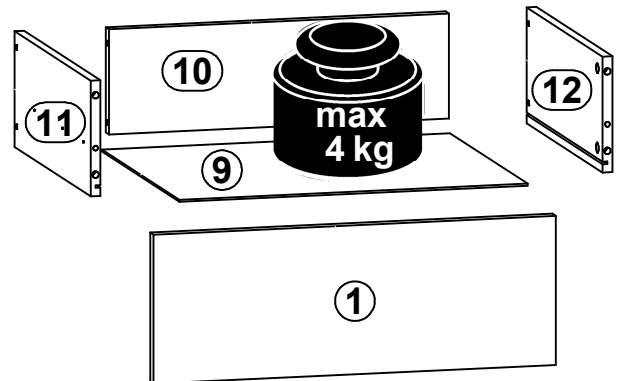
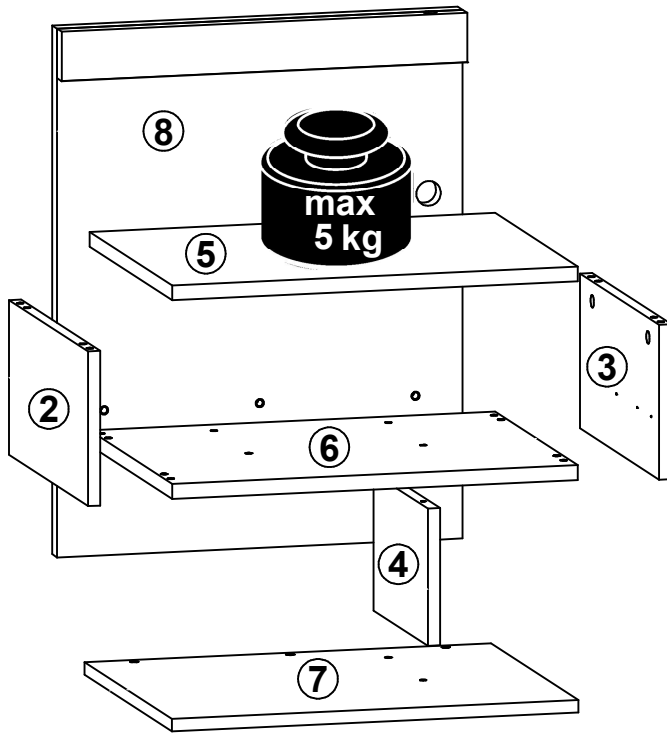
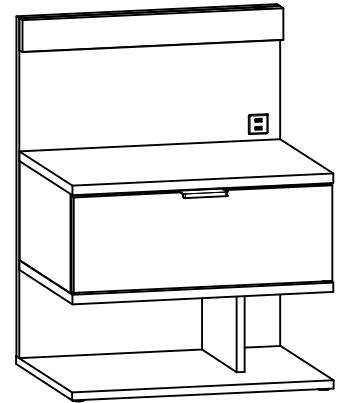
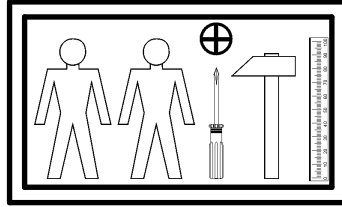
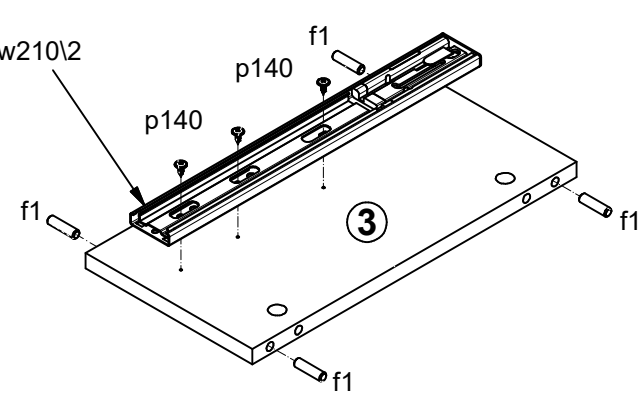
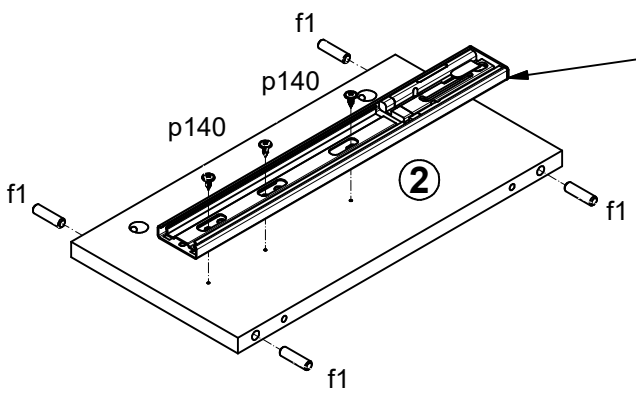
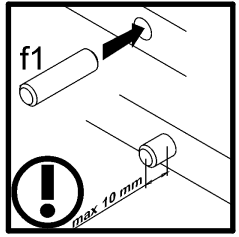
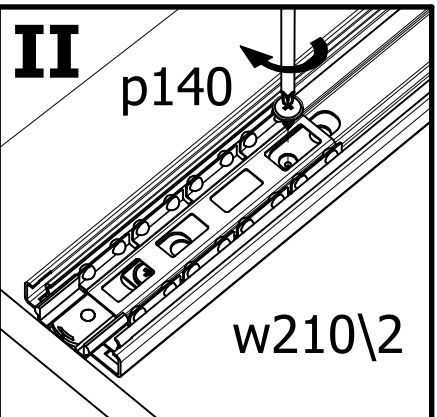
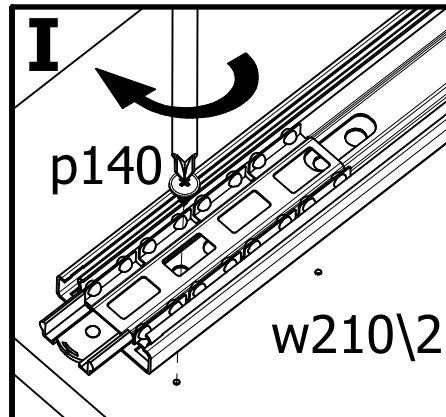
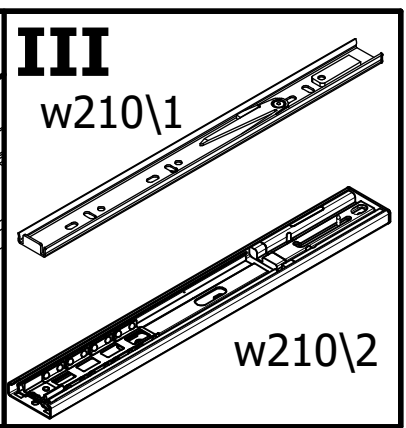
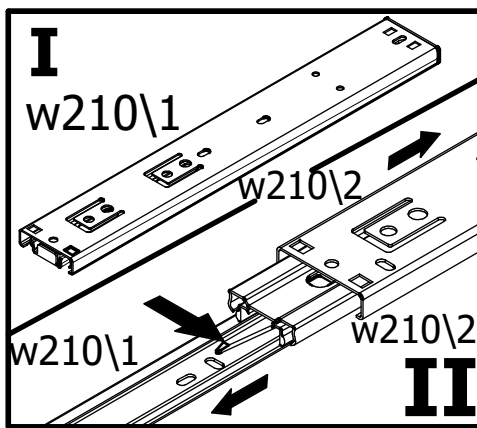
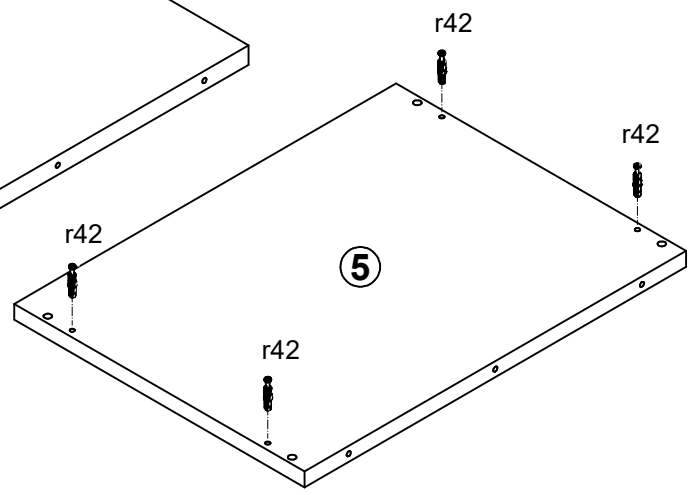
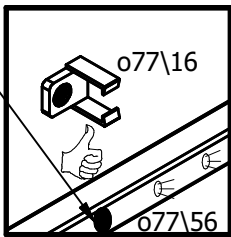
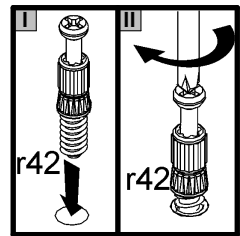
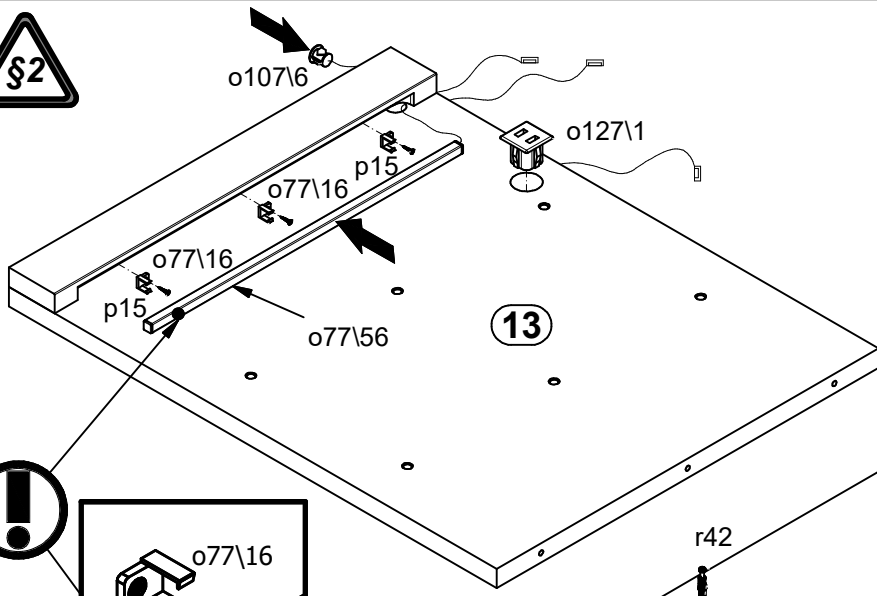


A	B	C	D
1	L112-0001	496	180
2	L112-1001	187	364
3	L112-1002	187	364
4	L112-1003	166	250
5	L112-2001	500	380
6	L112-2002	500	380
7	L112-3001	501	402
8	L112-4008	500	639
9	L112-9001	429	357
10	ZK3-5092	419	127
11	ZK4-513	350	140
12	ZK4-514	350	140

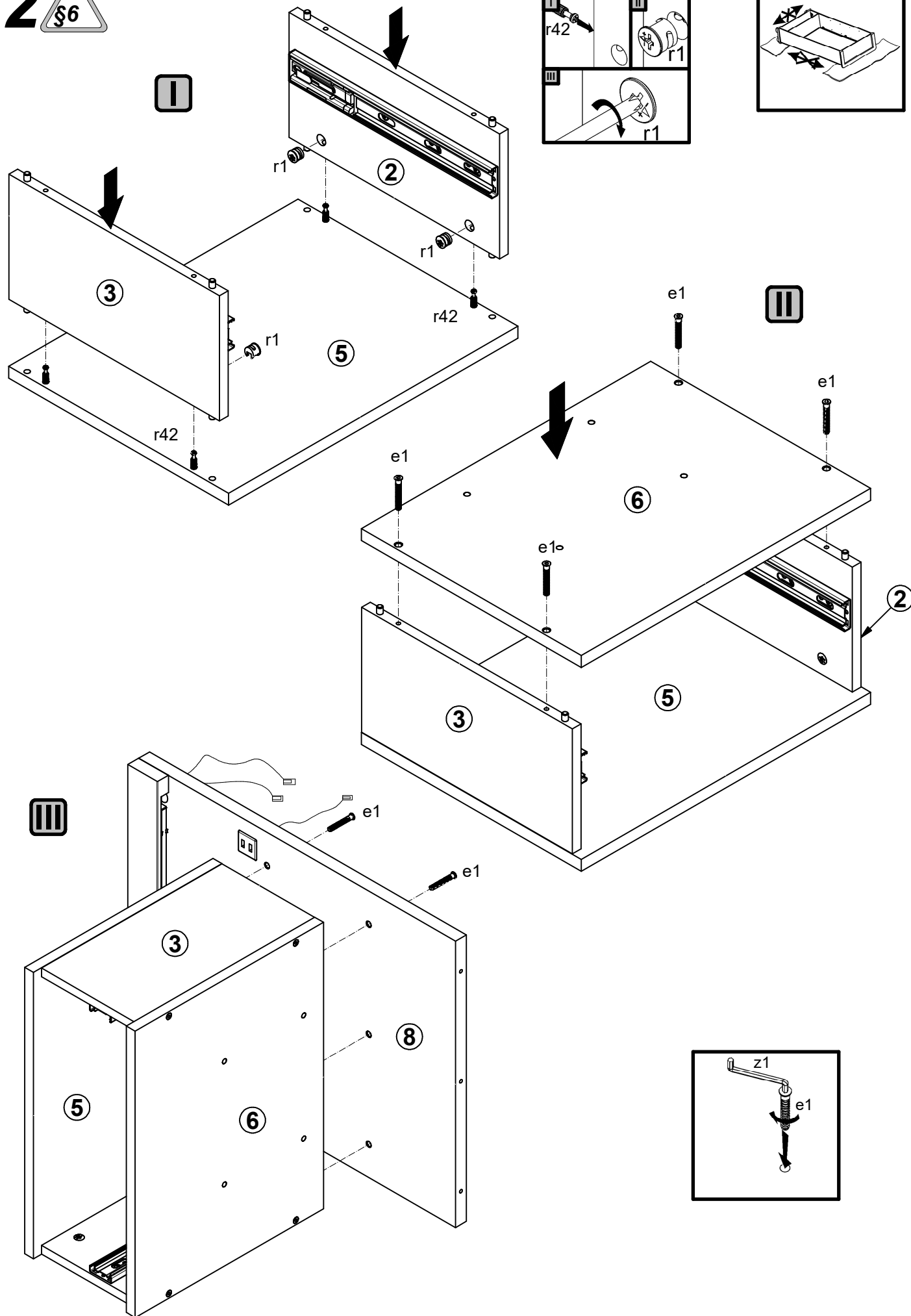


1x L=84mm <b>c537\1</b>	17x Ø7x50 mm <b>e1</b>	8x Ø8x30 mm <b>f1</b>	2x Ø6x30 mm <b>f9</b>	4x Ø6.5x40 mm <b>f25</b>	4x Ø20x3mm <b>k103</b>	1x <b>Ø70\11</b>	2x <b>Ø43\7</b>	3x <b>Ø77\16</b>
1x L=405 mm <b>Ø77\56</b>	1x <b>Ø127\1</b>	1x <b>Ø107\6</b>	2x Ø3.5x13 mm <b>p1</b>	3x Ø2.5x13 mm <b>p15</b>	3x Ø3.5x16 mm <b>p38</b>	12x Ø3.5x12 mm <b>p140</b>	4x Ø15x12 mm #16 <b>r1</b>	4x Ø12x10.5 mm #12 <b>r15</b>
8x 20/11 <b>r42</b>	2x L=350 mm <b>w210\1</b>	2x L=350 mm <b>w210\2</b>	1x 4 mm <b>z1</b>					

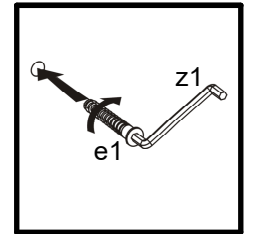
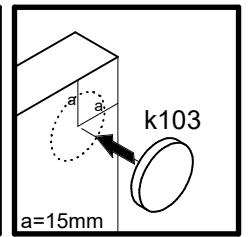
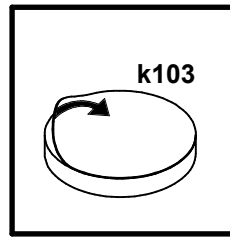
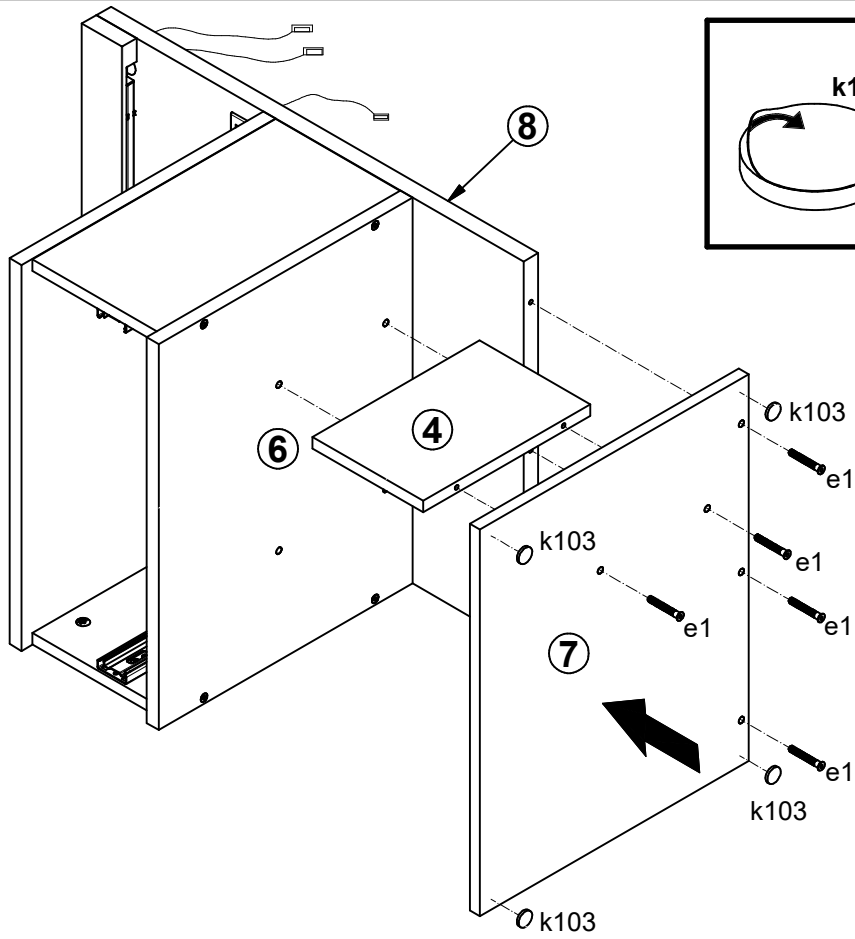
1 



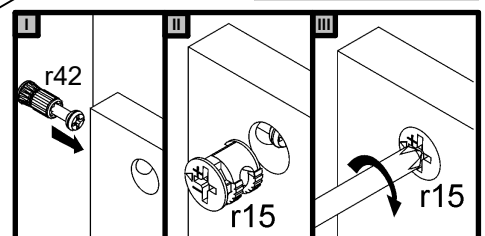
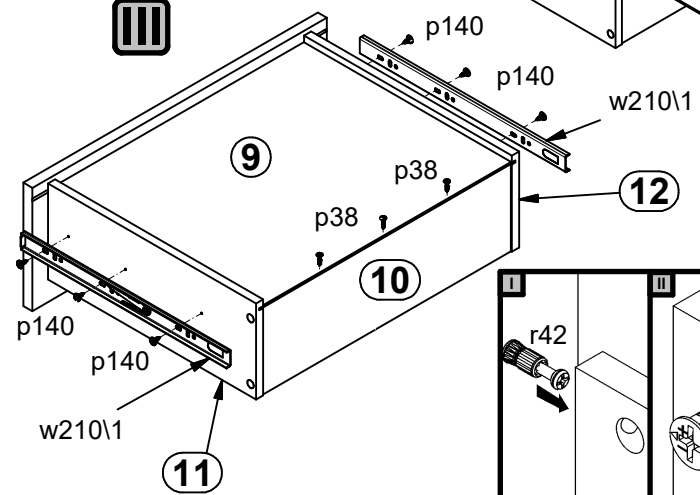
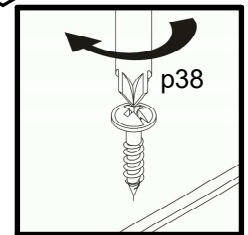
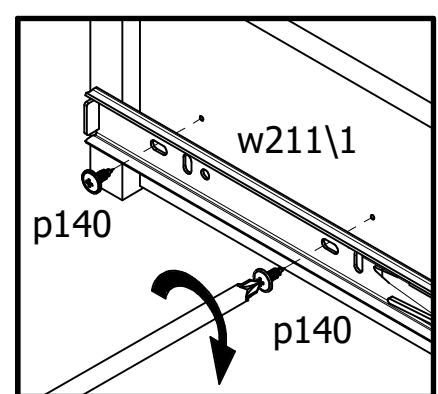
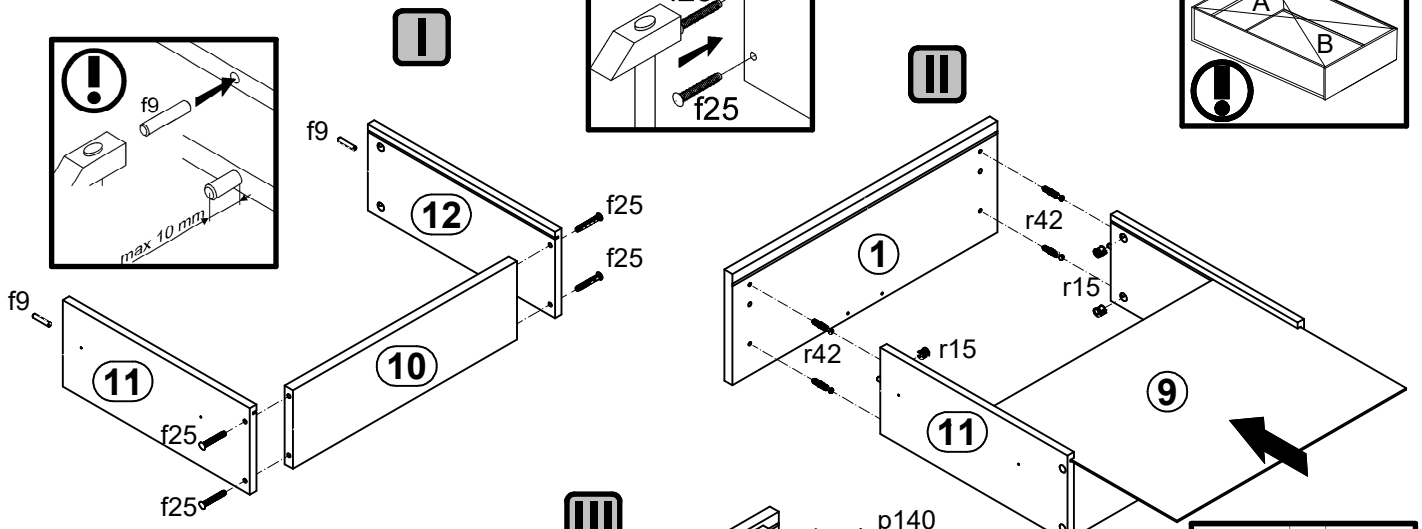
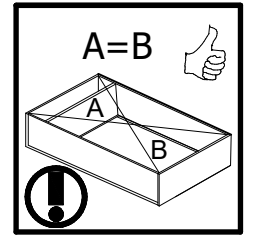
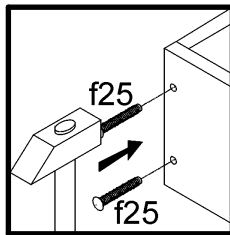
2 §6



**3**  §6



**4**  §2  §6



5 

