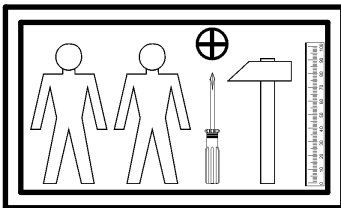
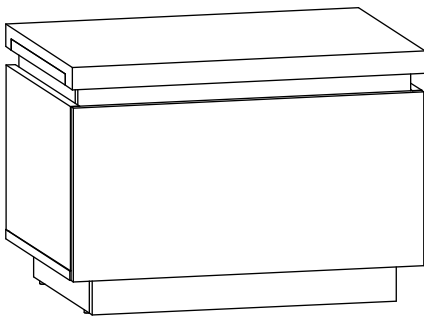
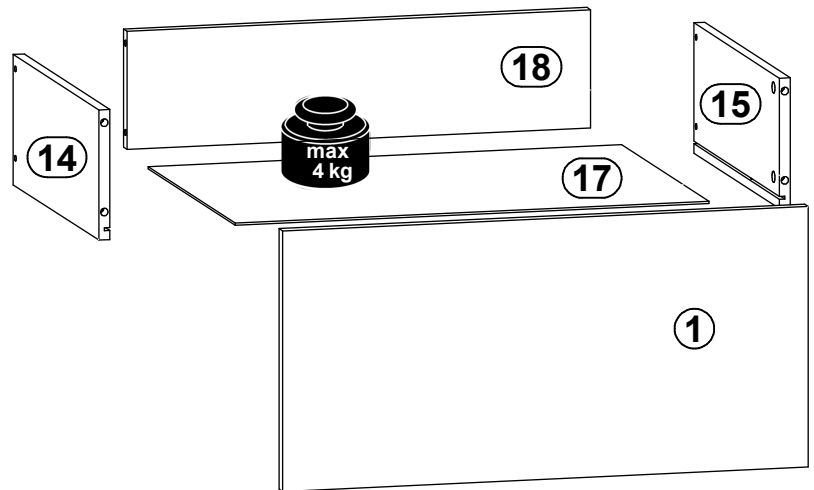
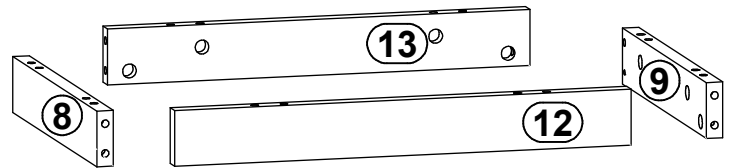
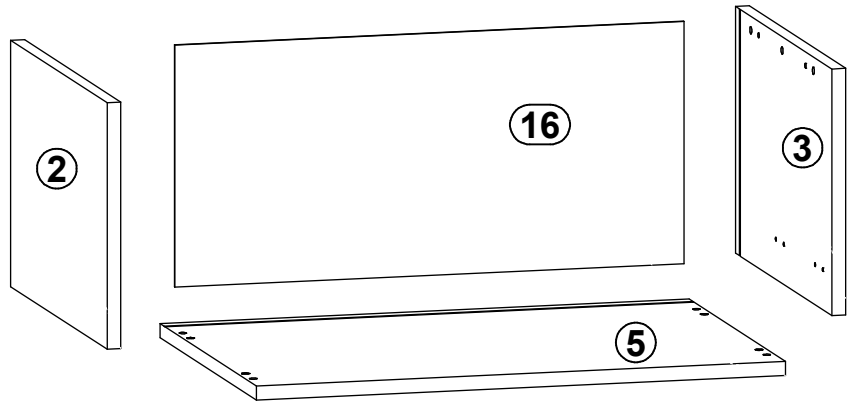
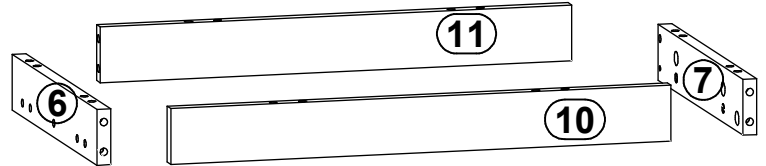
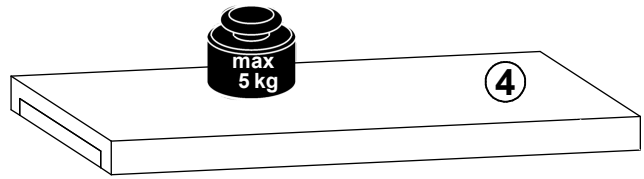
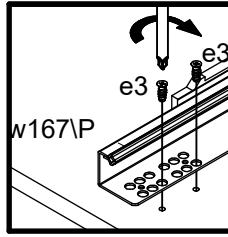
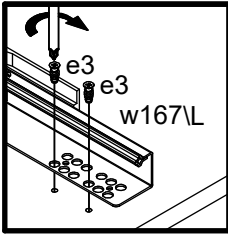
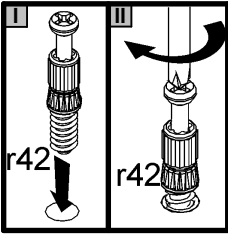
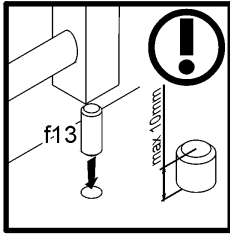
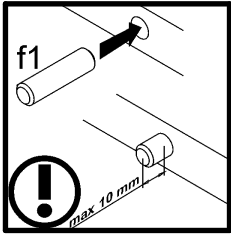
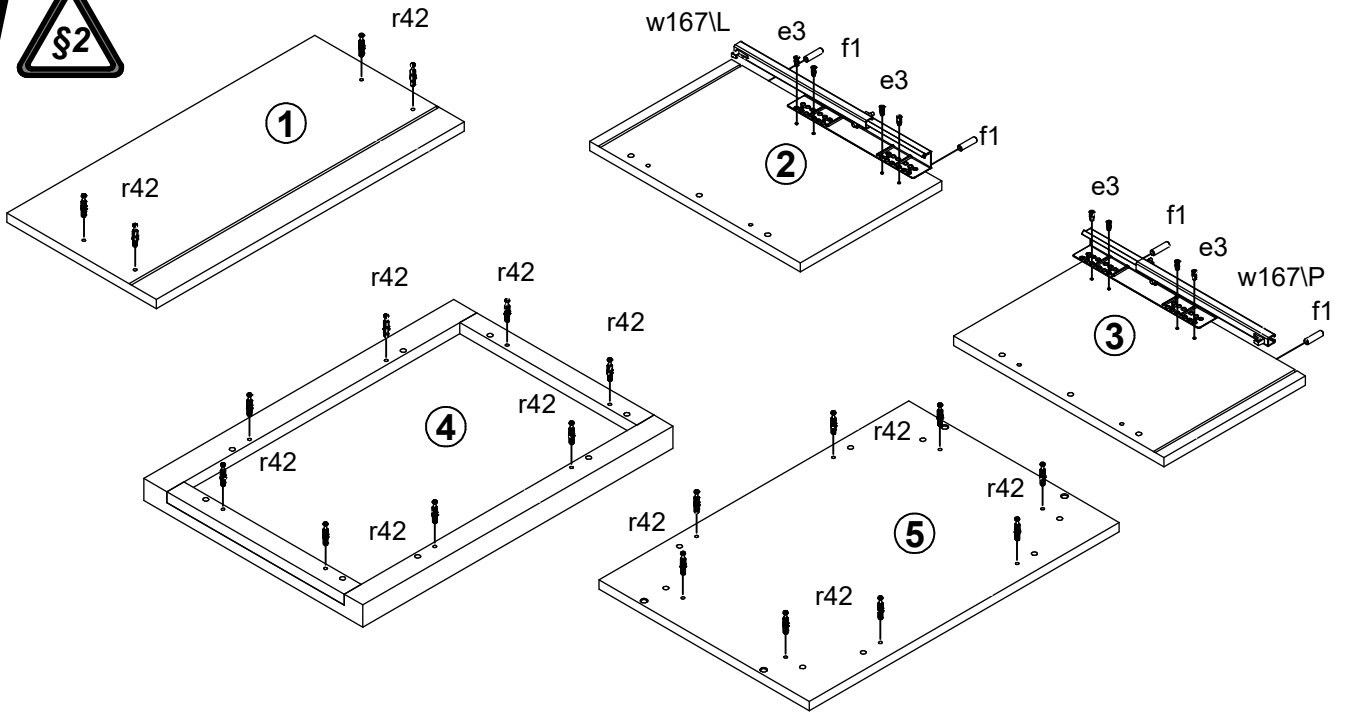


A	B	C	D	
1	S426-0104	576	280	2/2
2	S426-1104	265	394	1/2
3	S426-1105	265	394	1/2
4	S426-2103	580	410	1/2
5	S426-2104	580	394	1/2
6	S426-4003	347	60	1/2
7	S426-4004	347	60	1/2
8	S426-4007	344	60	1/2
9	S426-4008	344	60	1/2
10	S426-4107	548	60	1/2
11	S426-4108	517	60	1/2
12	S426-4109	500	60	1/2
13	S426-4110	463	60	1/2
14	S426-5051	350	140	1/2
15	S426-5052	350	140	1/2
16	S426-9104	260	558	1/2
17	S426-9105	519	357	1/2
18	ZQ6-5168	508	127	1/2

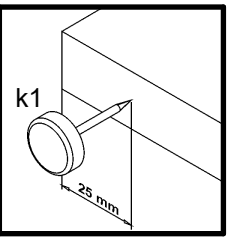
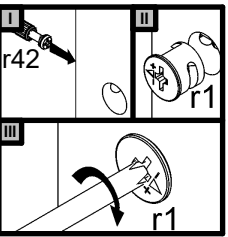
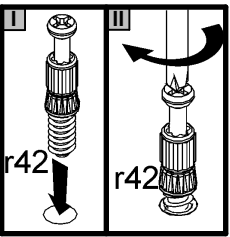
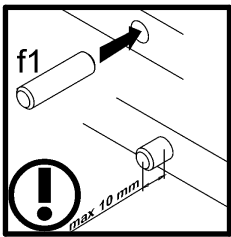
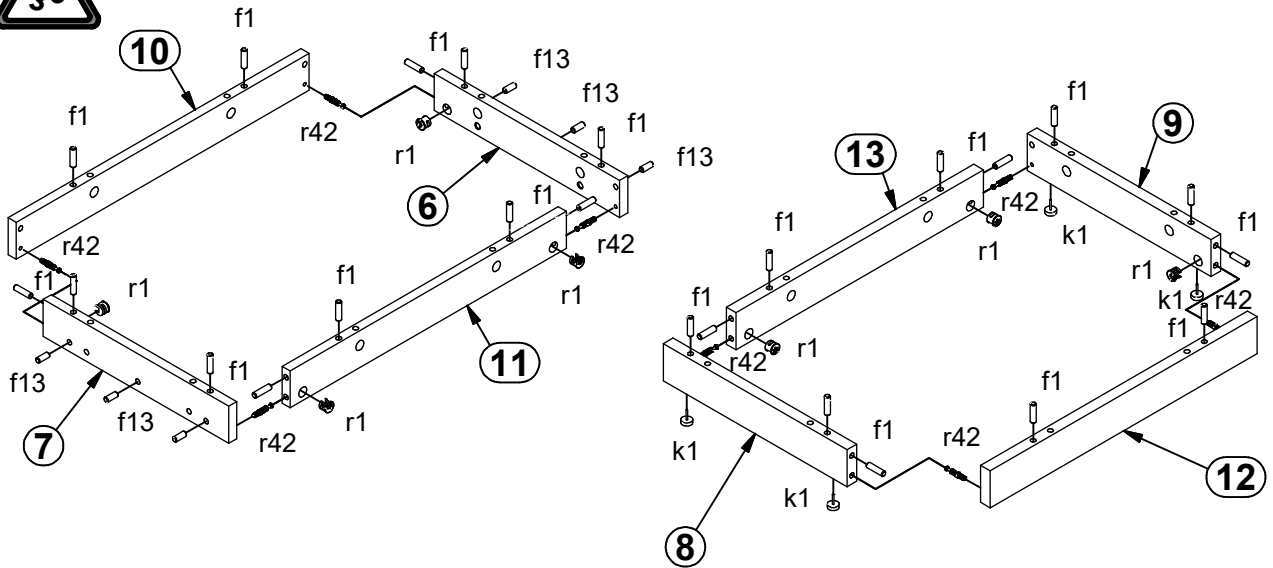


4x Ø7x50 mm e1	8x Ø6x13 mm e3	4x Ø7x24 mm e45	28x Ø8x30 mm f1	6x Ø8x20 mm f13	4x Ø6.5x40 mm f25	4x k1	3x l2	1x Ø3.5x16 mm p25
1x Ø3.5x10 mm p35	5x Ø3.5x16 mm p38	2x Ø2.9x16 mm p55	3x Ø4x13 mm p93	24x Ø15x12 mm #16 r1	4x Ø12x10.5 mm #12 r15	28x 20/11 r42	1x 350 mm t35	1x 350 mm w167L
1x 350mm w167P	1x 4 mm z1	1x n26\1						

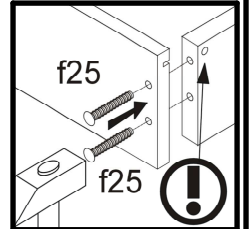
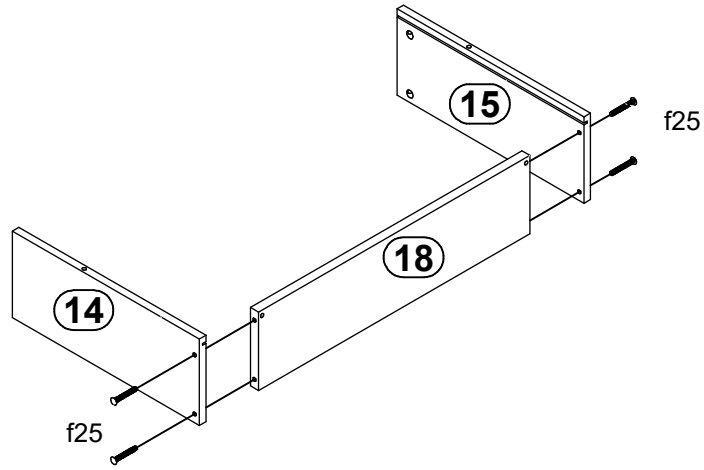
1



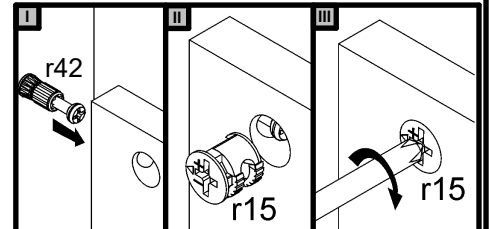
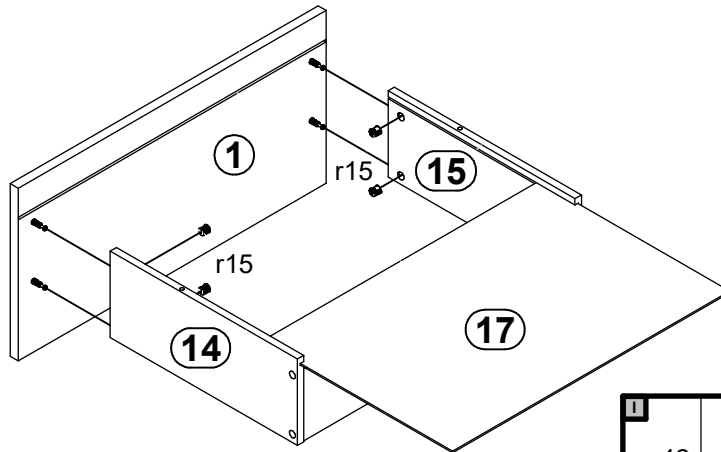
2



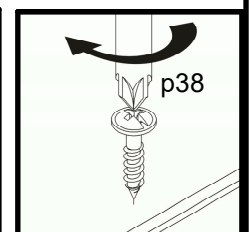
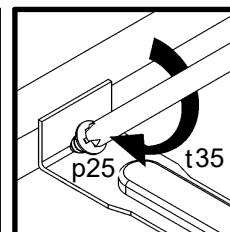
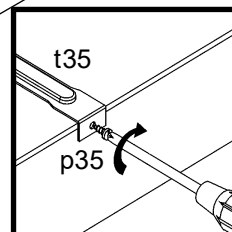
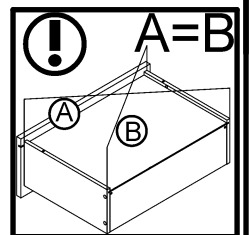
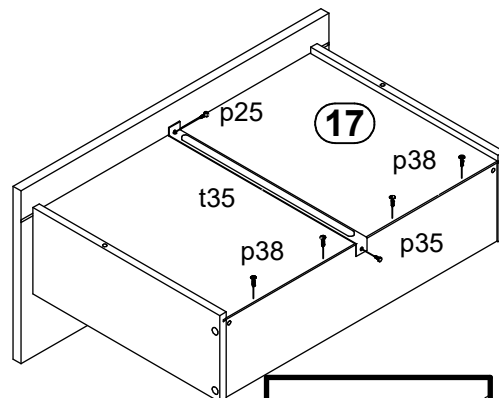
3



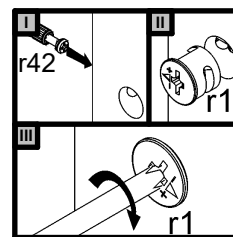
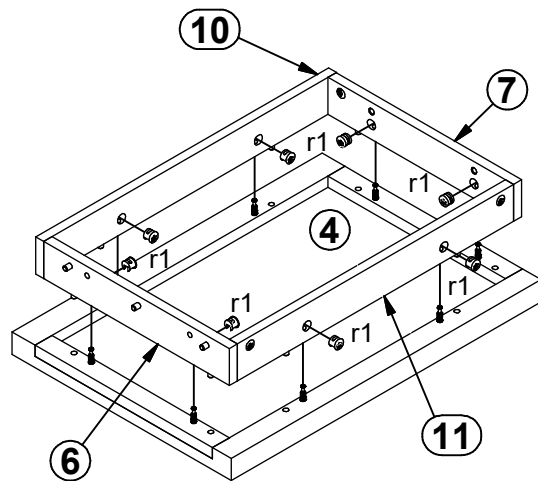
4



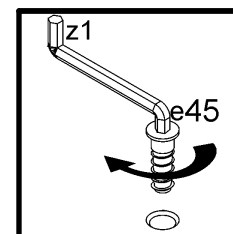
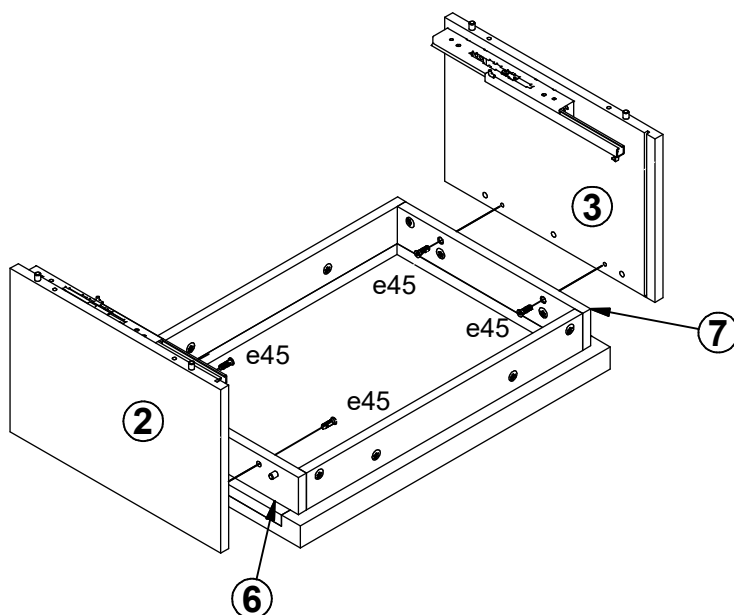
5



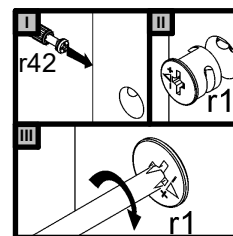
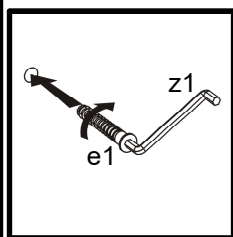
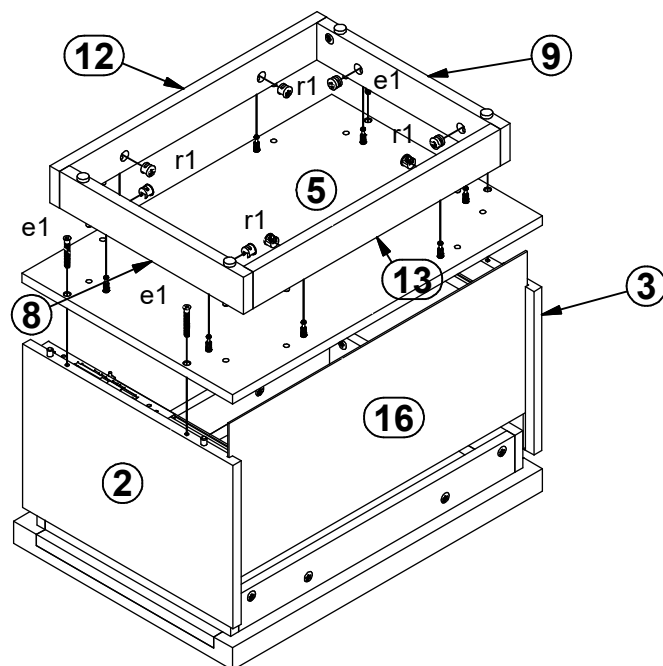
6



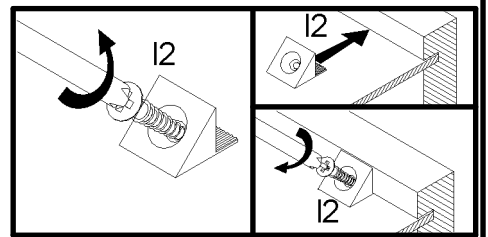
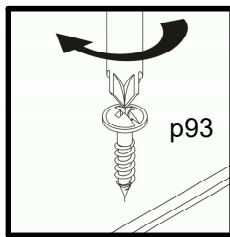
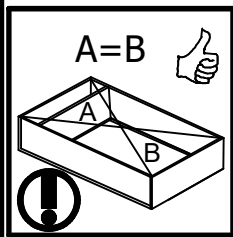
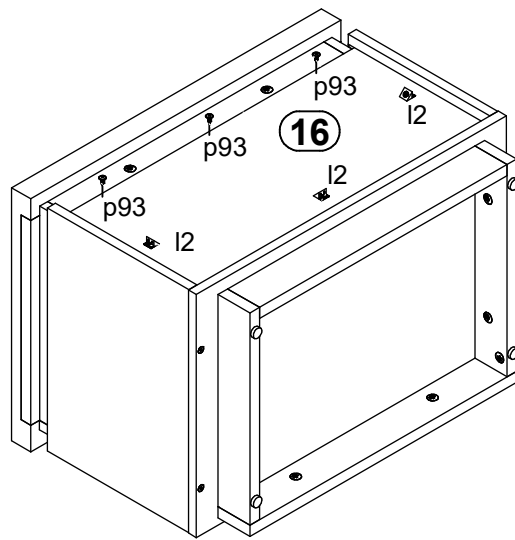
7



8



9



10

