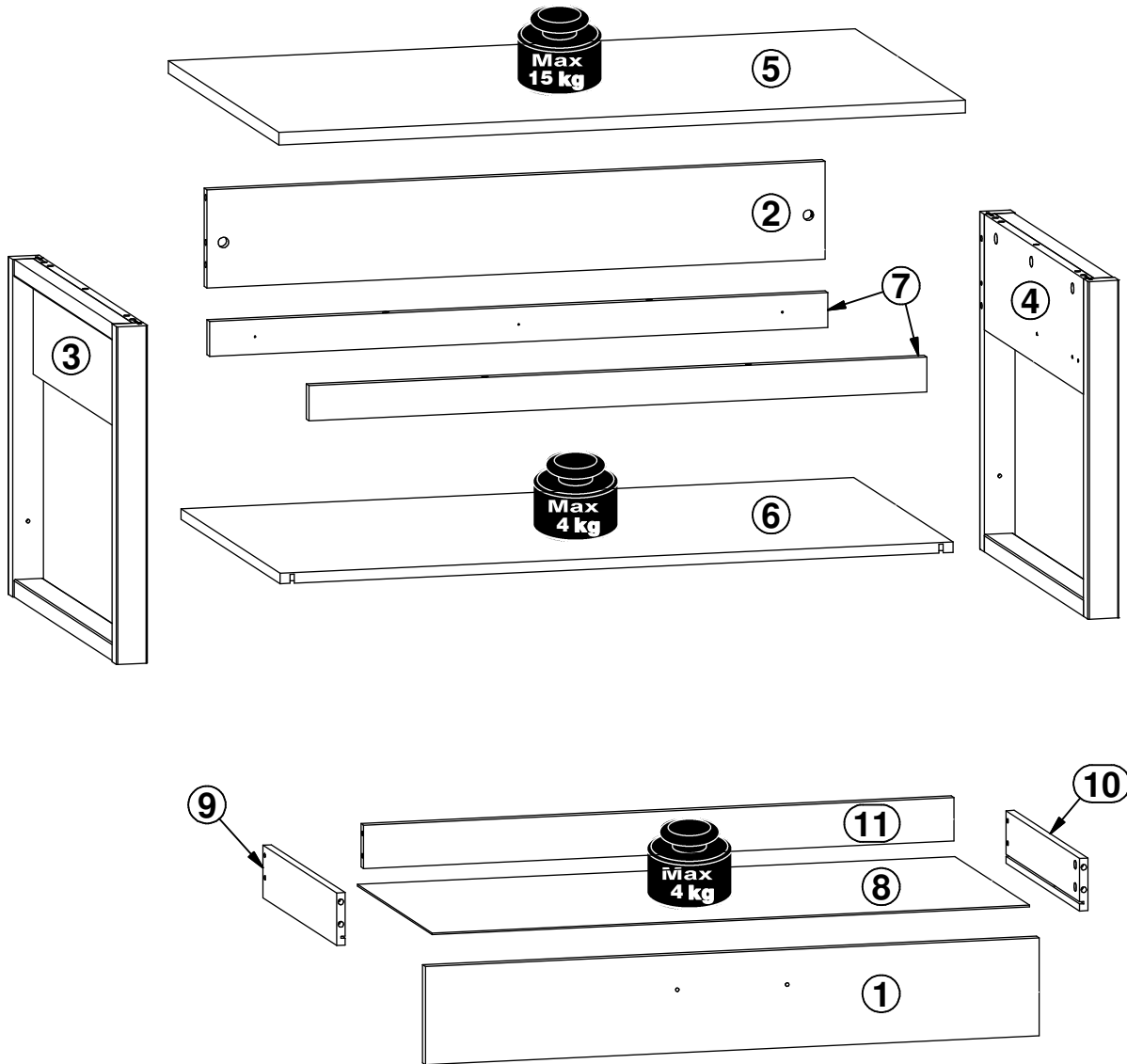
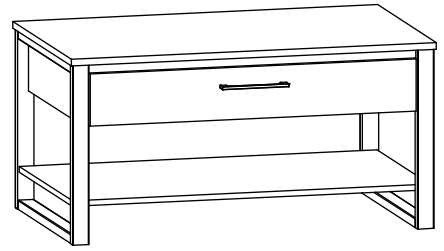
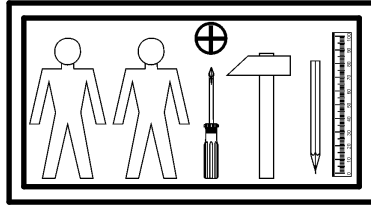
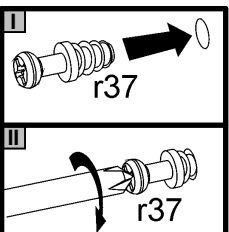
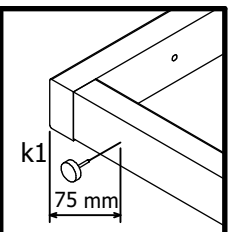
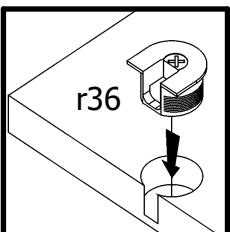
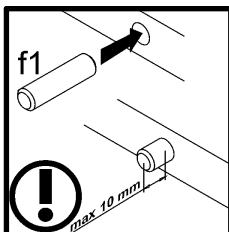
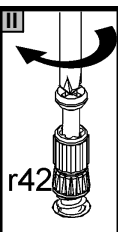
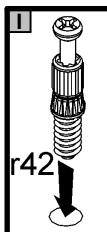
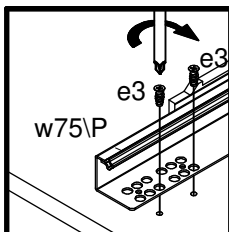
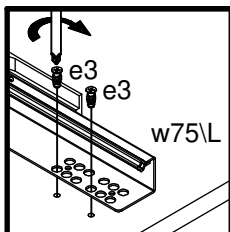
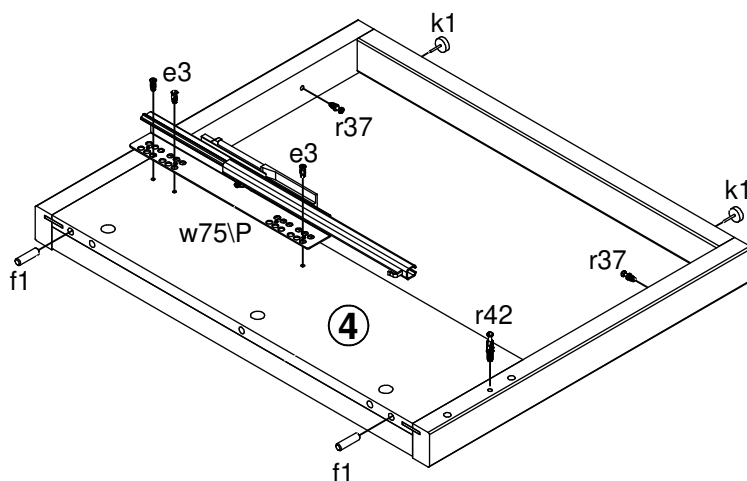
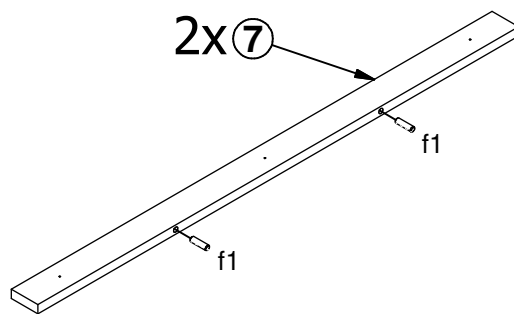
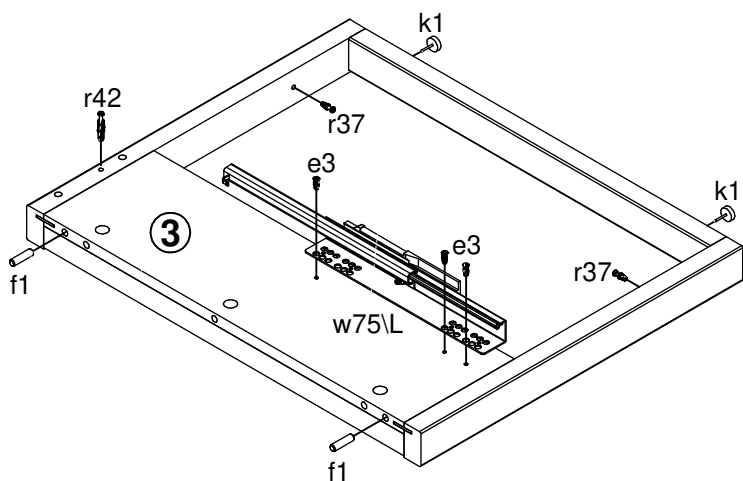
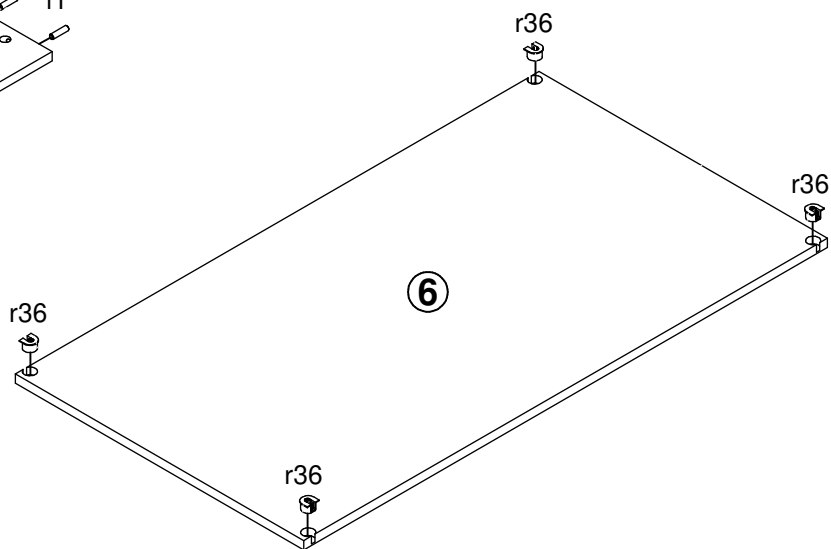
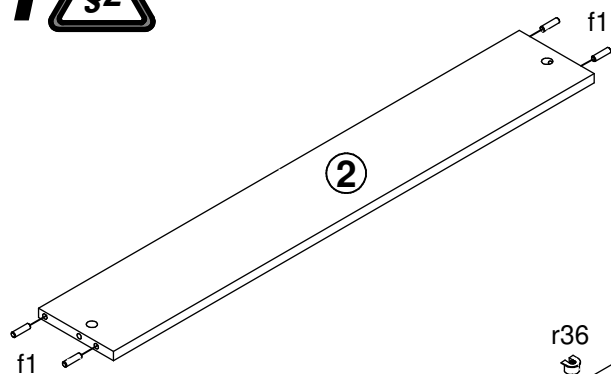


A	B	C	D
1	S604-0050	894	140
2	S604-0051	900	140
3	S604-1050	482	590
4	S604-1051	482	590
5	S604-2050	1000	600
6	S604-3031	980	540
7	S604-4051	900	50
8	S604-9030	870	407
9	ZQ6-529	400	75
10	ZQ6-530	400	75
11	ZQ6-5339	860	62

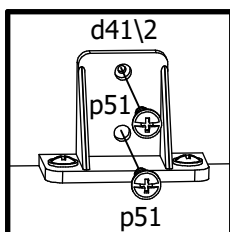
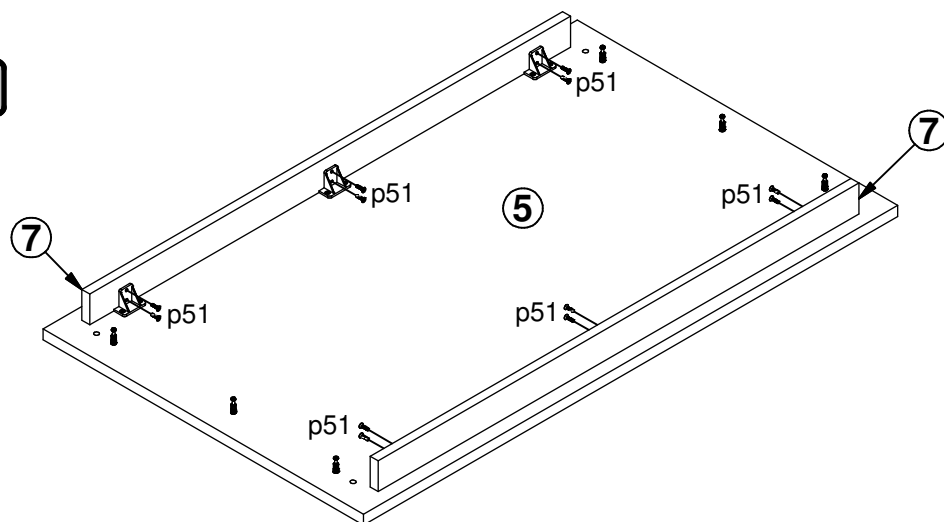
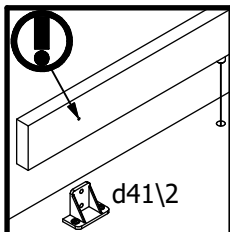
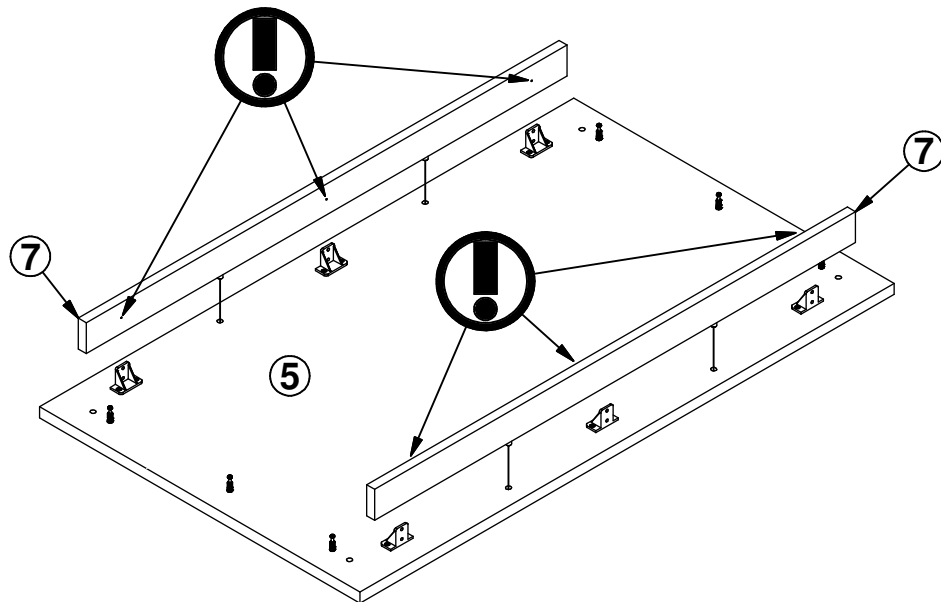
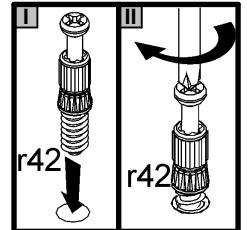
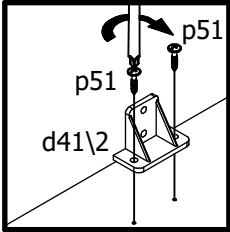
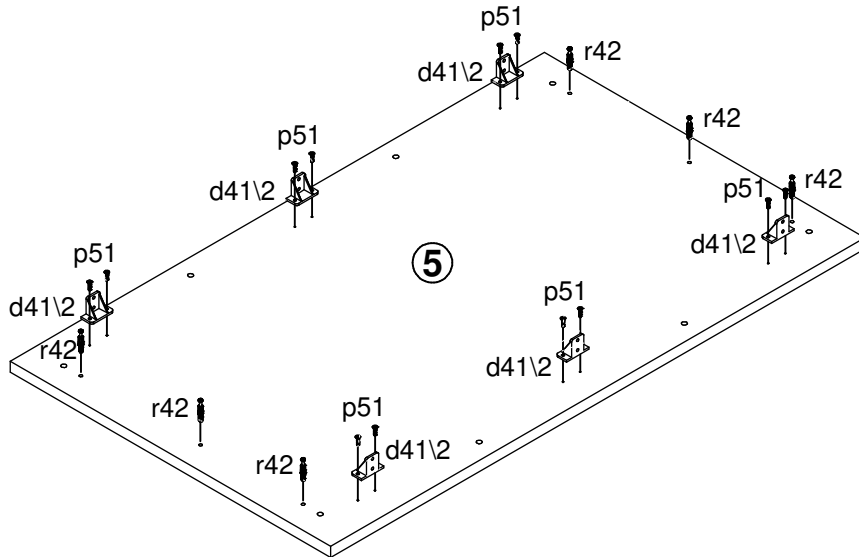


1x c280\6	6x d41\2	6x e3 Ø6x13 mm	12x f1 Ø8x30 mm	4x f25 Ø6,5x40 mm	2x j30 M4x22 mm	4x k1	1x p35 Ø3,5x10 mm	25x p51 Ø3,5x15 mm
8x p55 Ø2,9x16 mm	8x r1 Ø15x12 mm #16	4x r15 Ø12x10,5 mm #12	4x r36 Ø20x12 mm #16	4x r37 6,7\7,8	12x r42 20\11	1x t33 400 mm	1x w75\L 400 mm	1x w75\P 400 mm

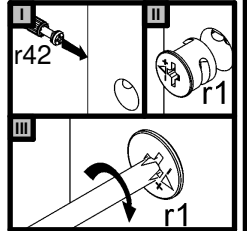
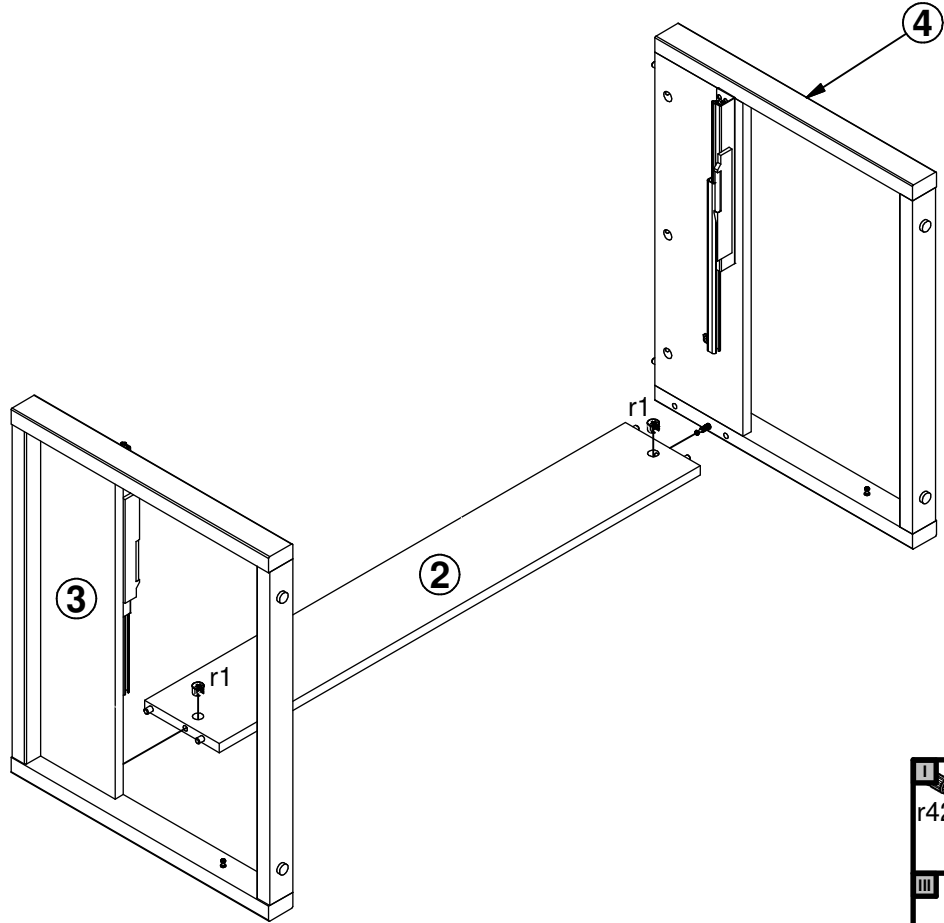
1 



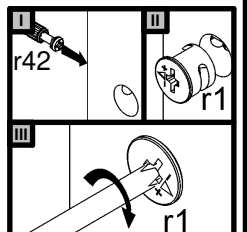
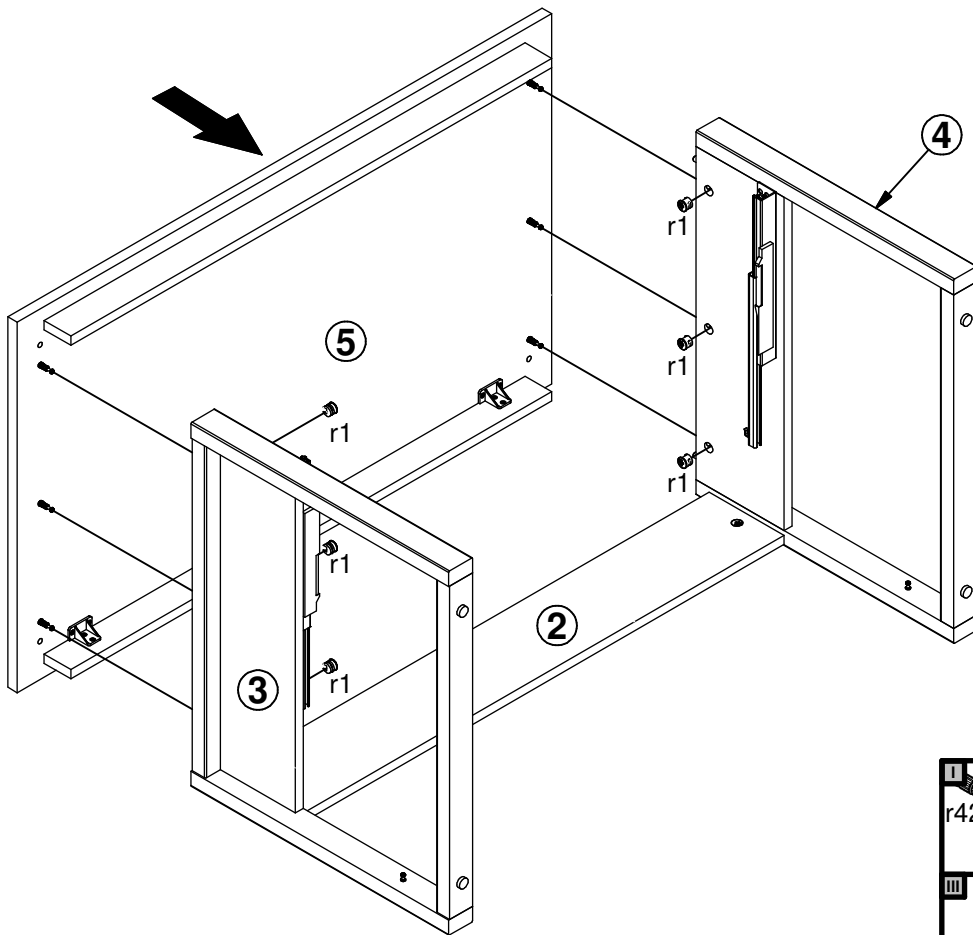
2



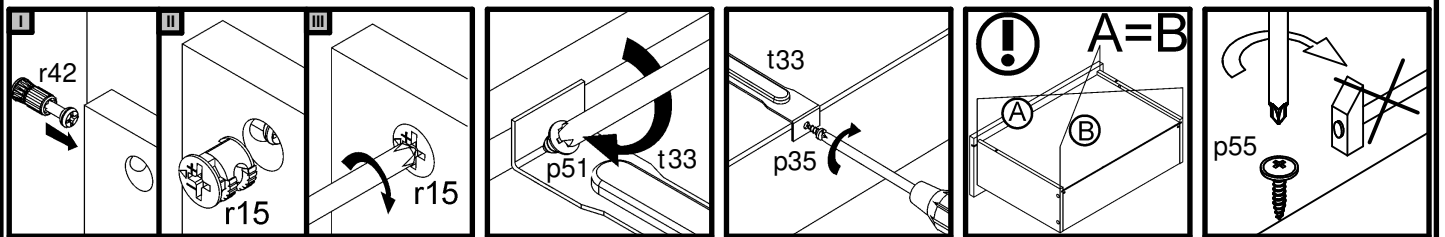
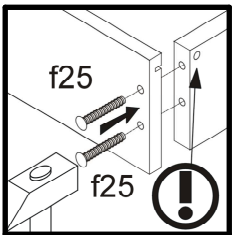
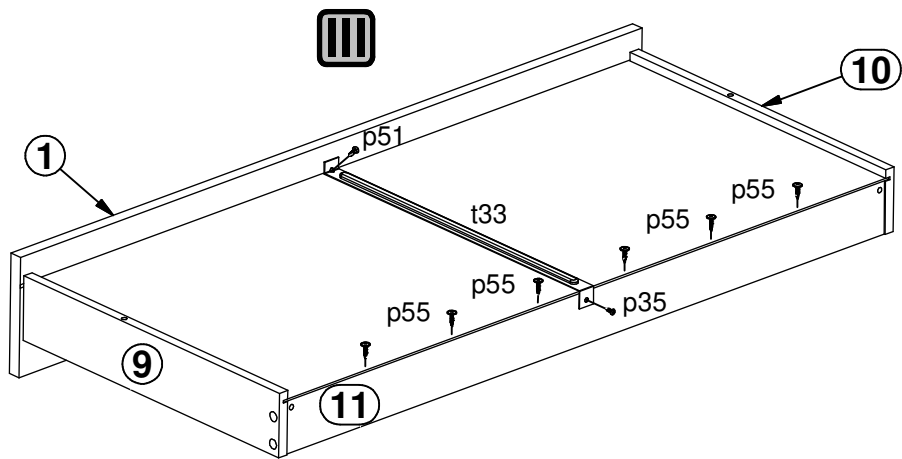
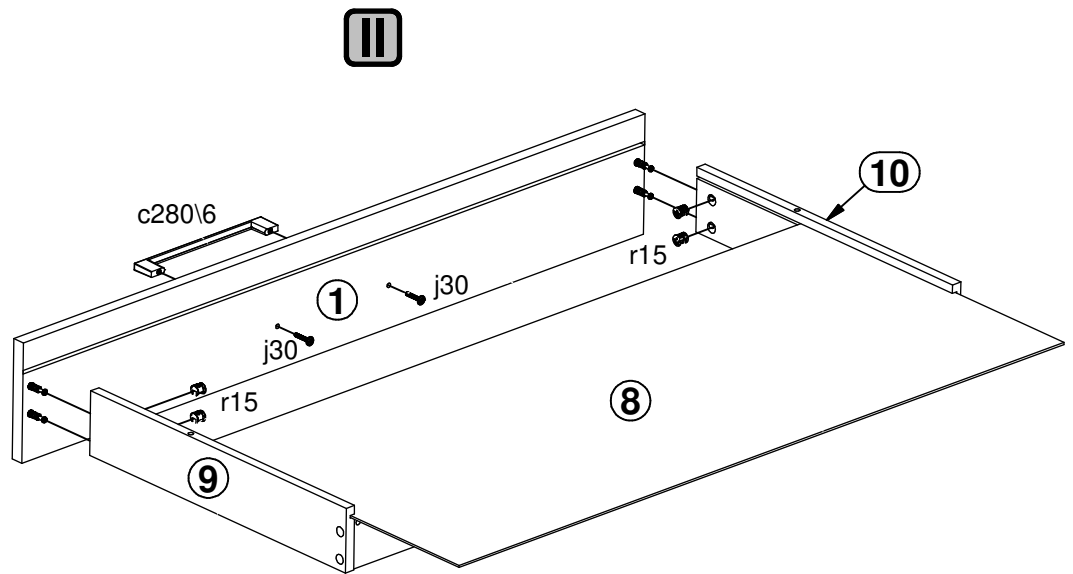
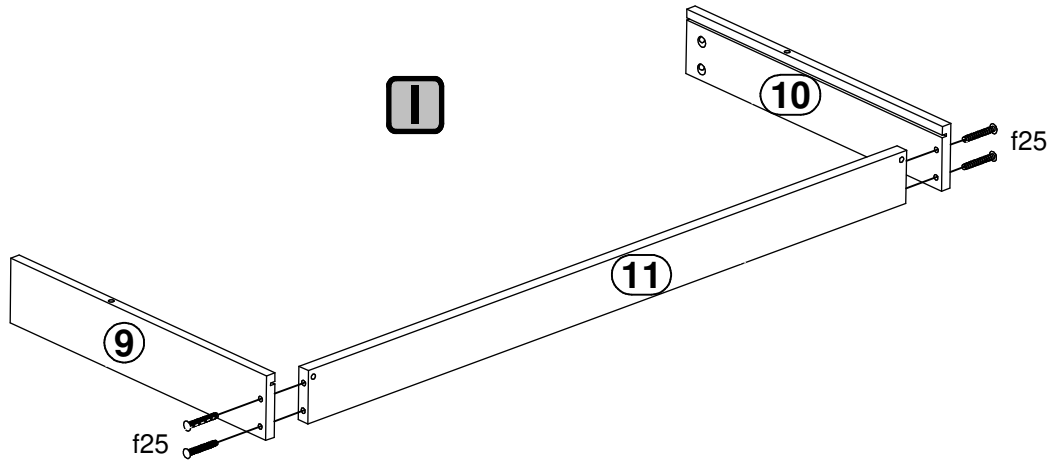
3 



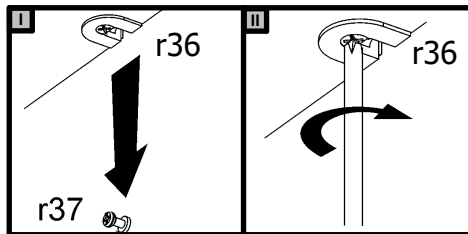
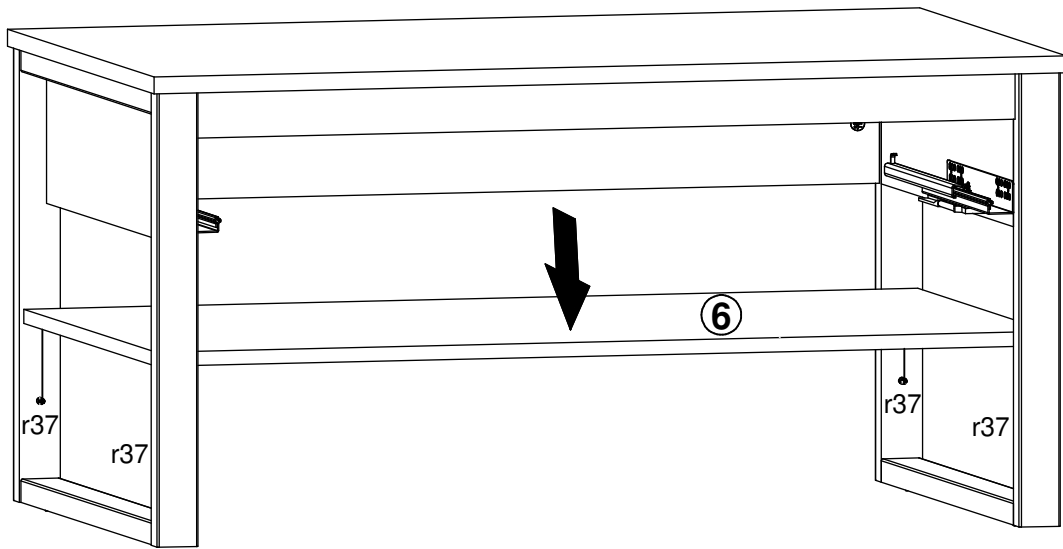
4 



5 



6



7

