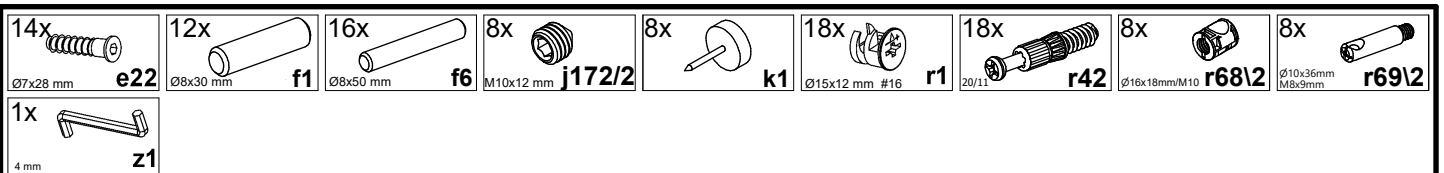
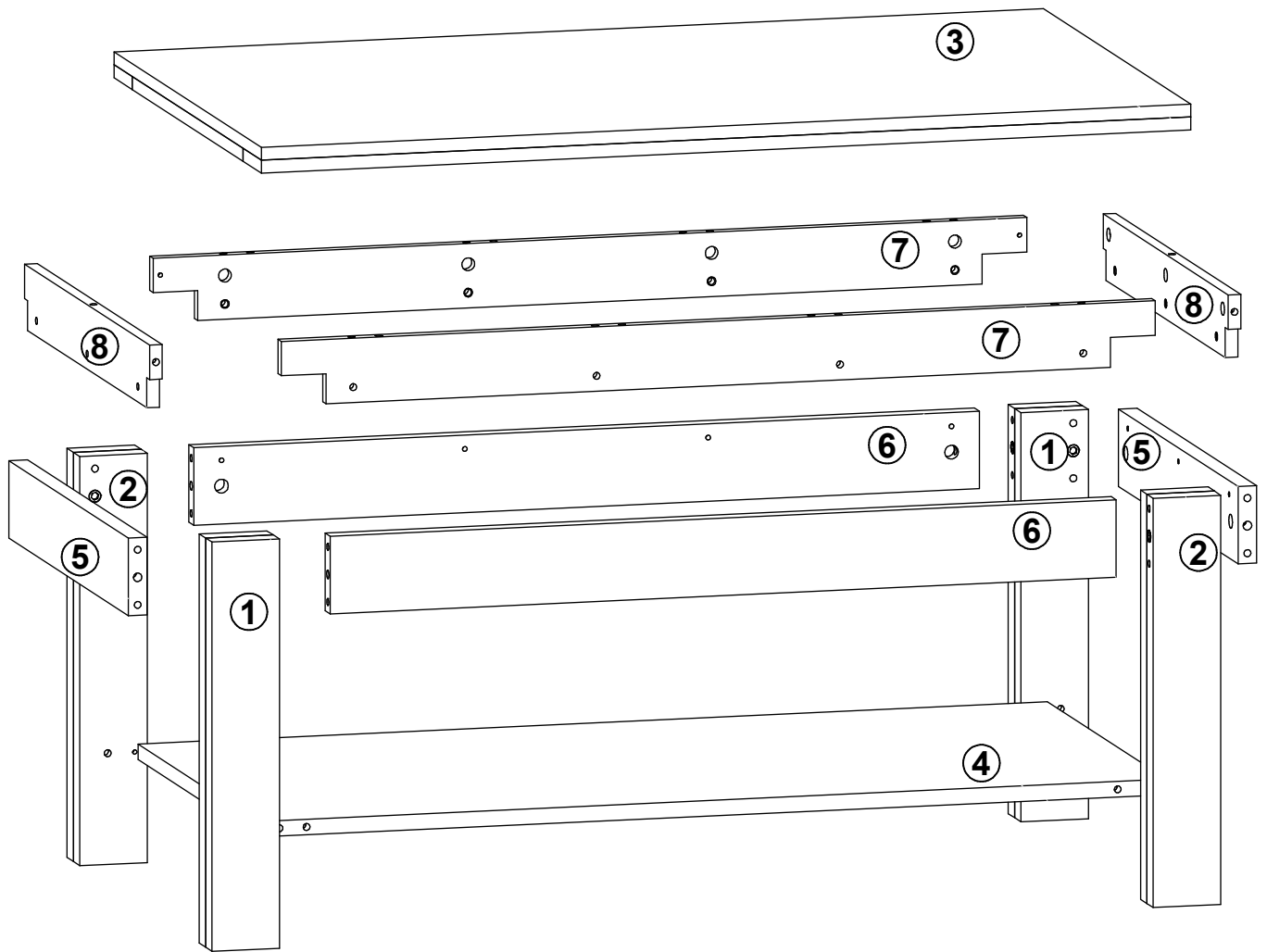
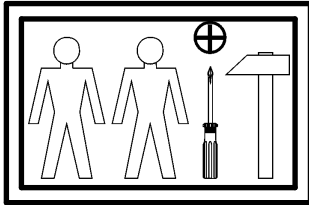
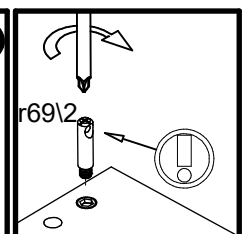
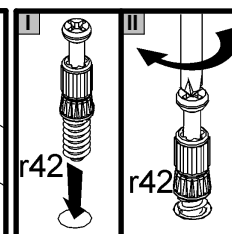
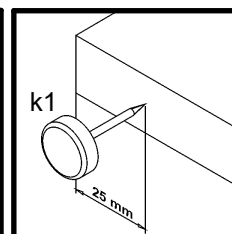
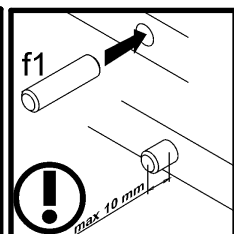
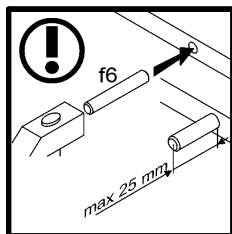
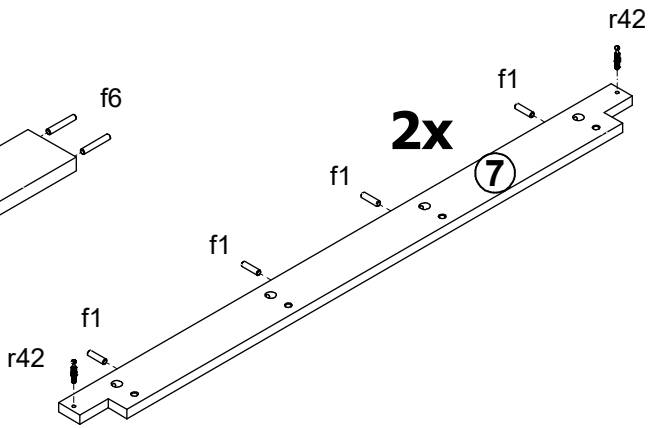
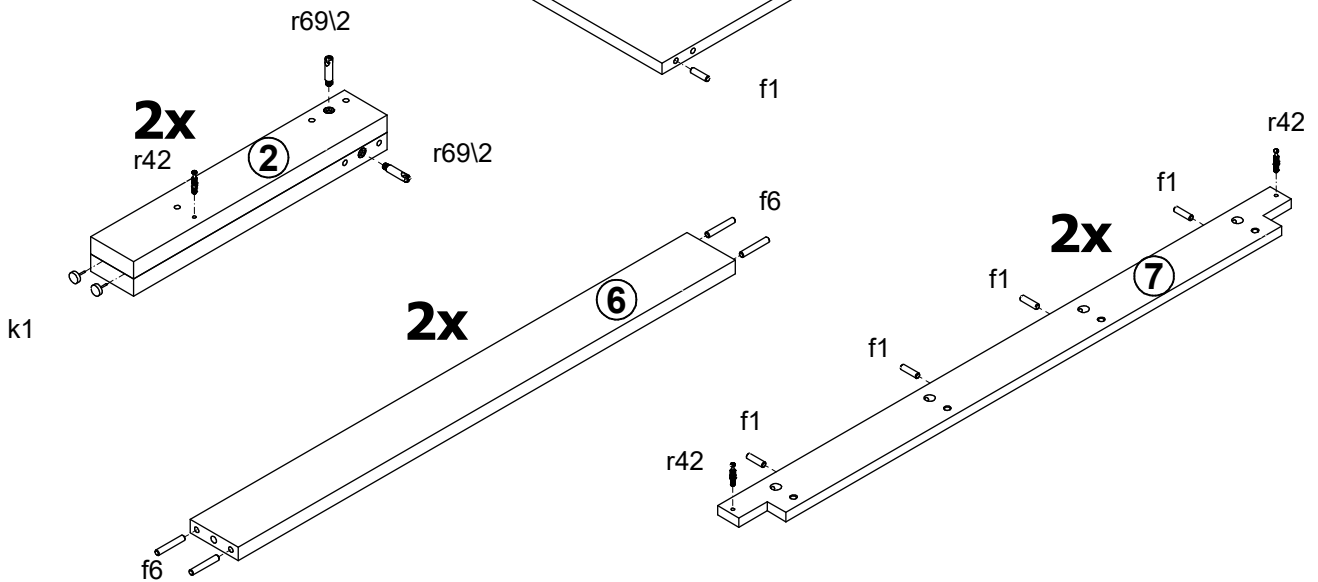
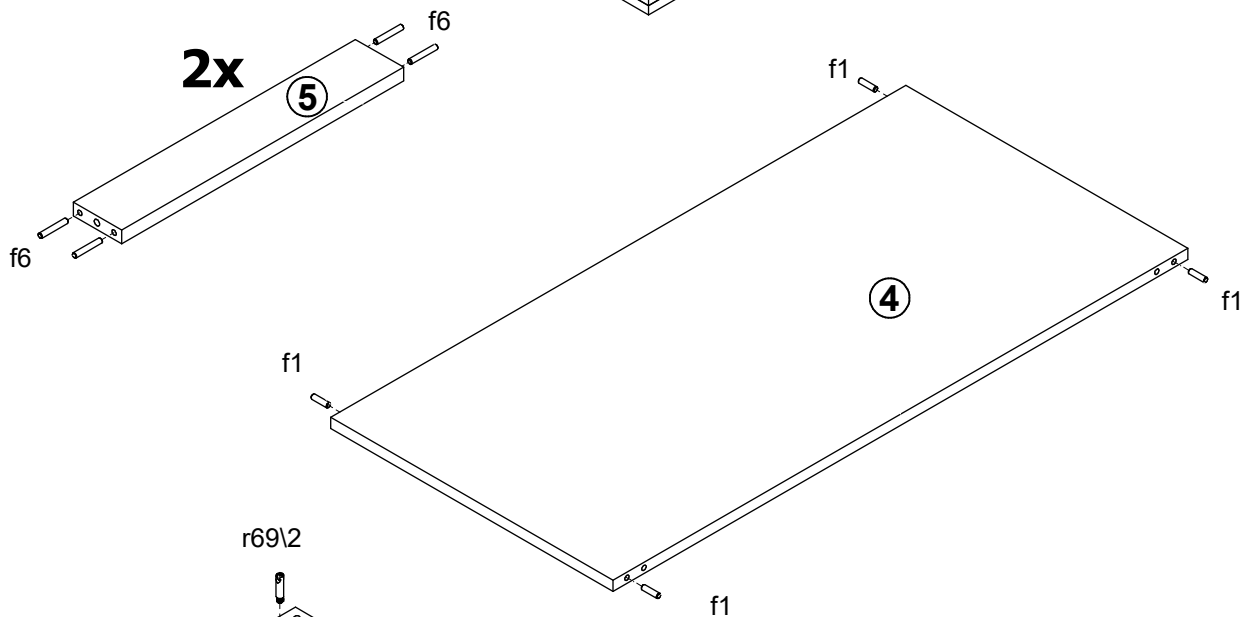
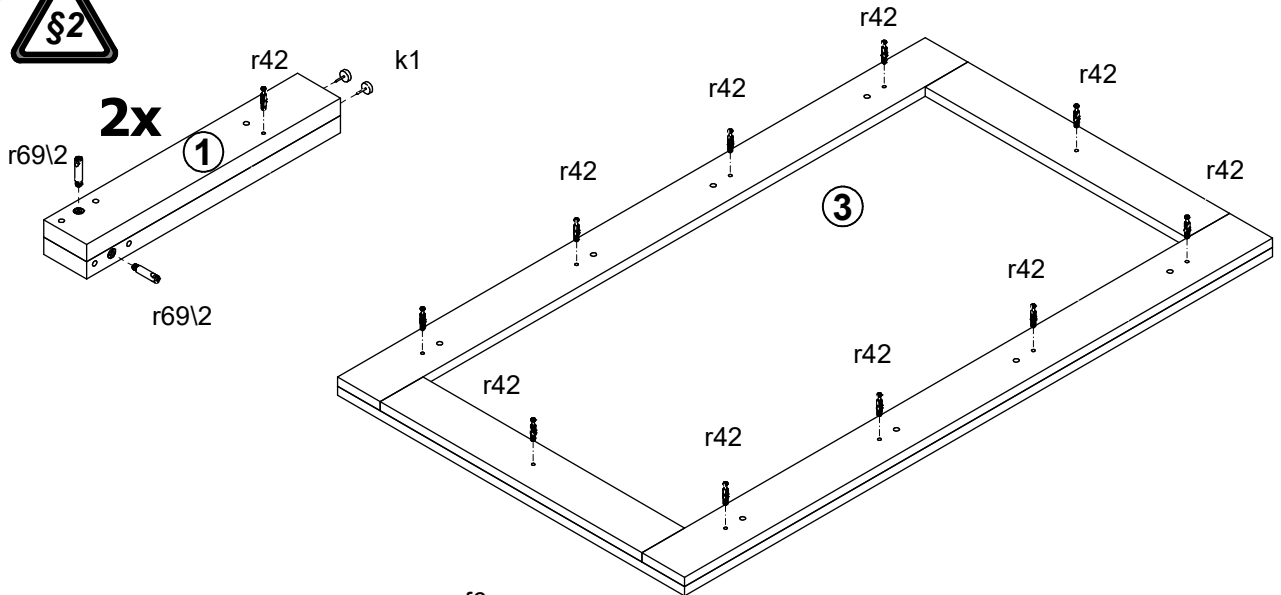


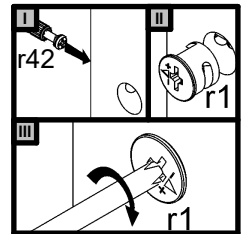
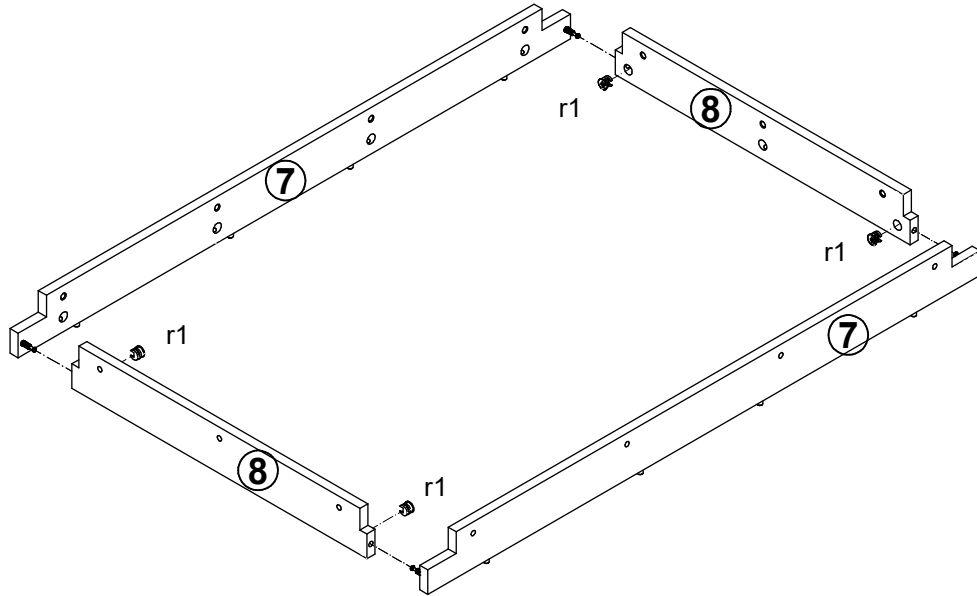
A	B	C	D	
1	S488-1028	475	80	1/1
2	S488-1029	475	80	1/1
3	S488-2011	1100	650	1/1
4	S488-3022	1076	528	1/1
5	S488-4009	528	90	1/1
6	S488-4010	930	90	1/1
7	S488-4011	1034	75	1/1
8	S488-4012	552	75	1/1



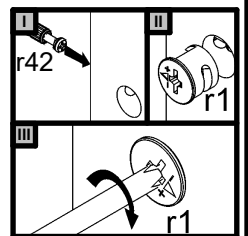
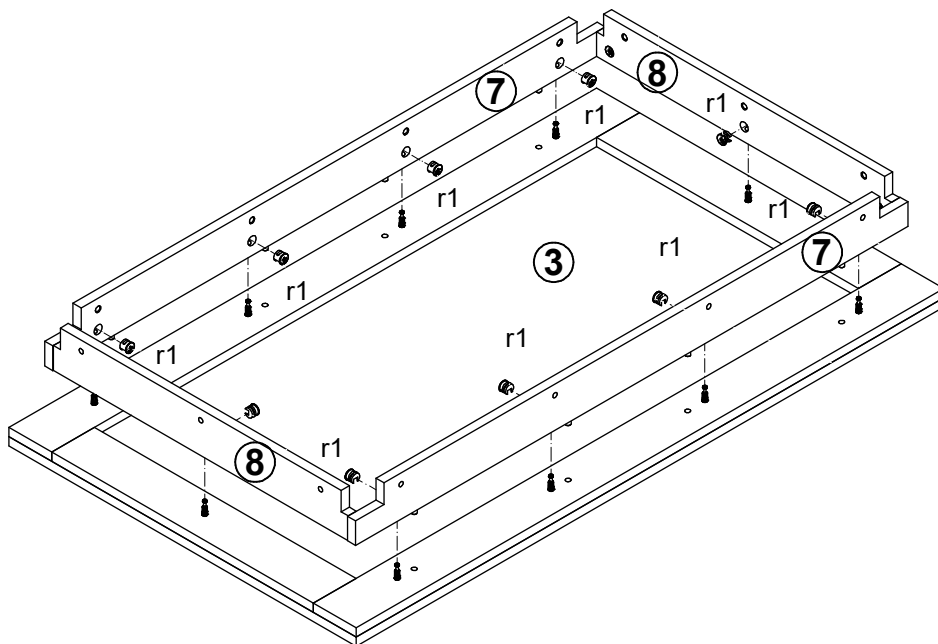
1 



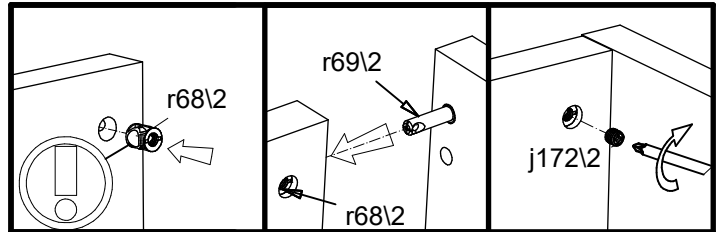
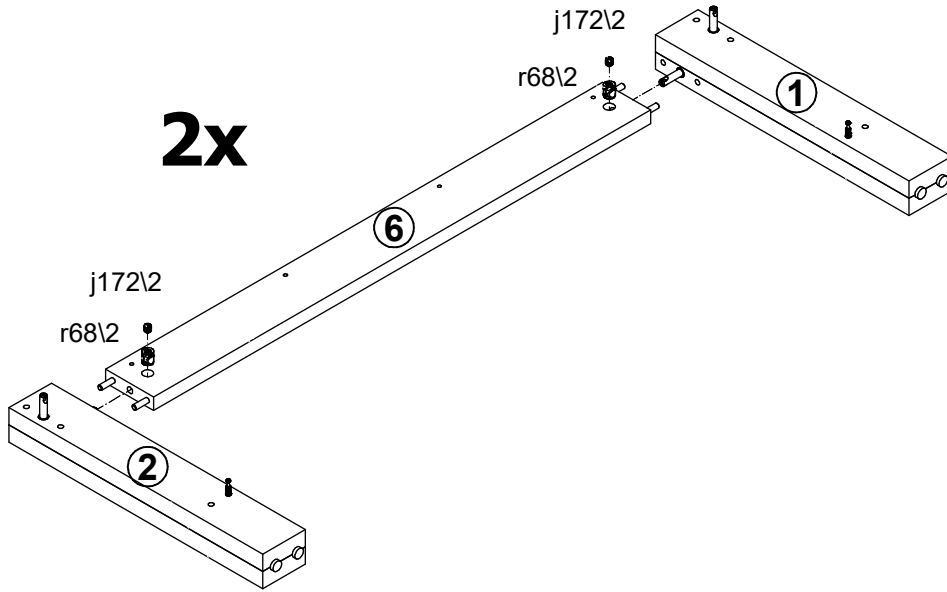
# 2



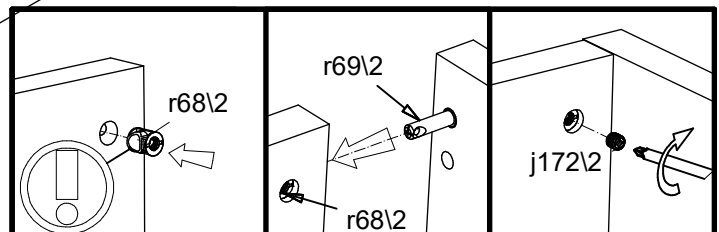
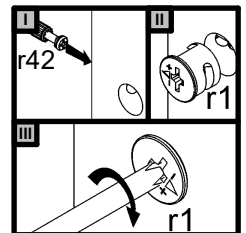
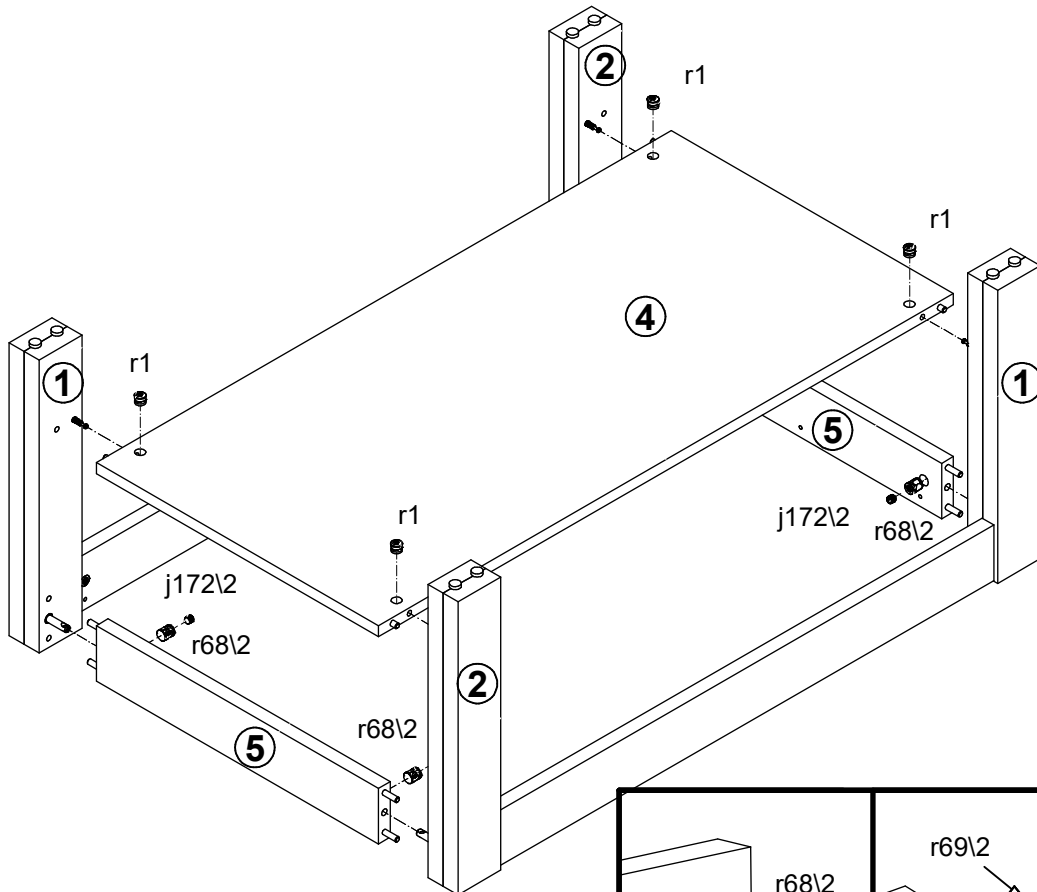
# 3



# 4



# 5



# 6

