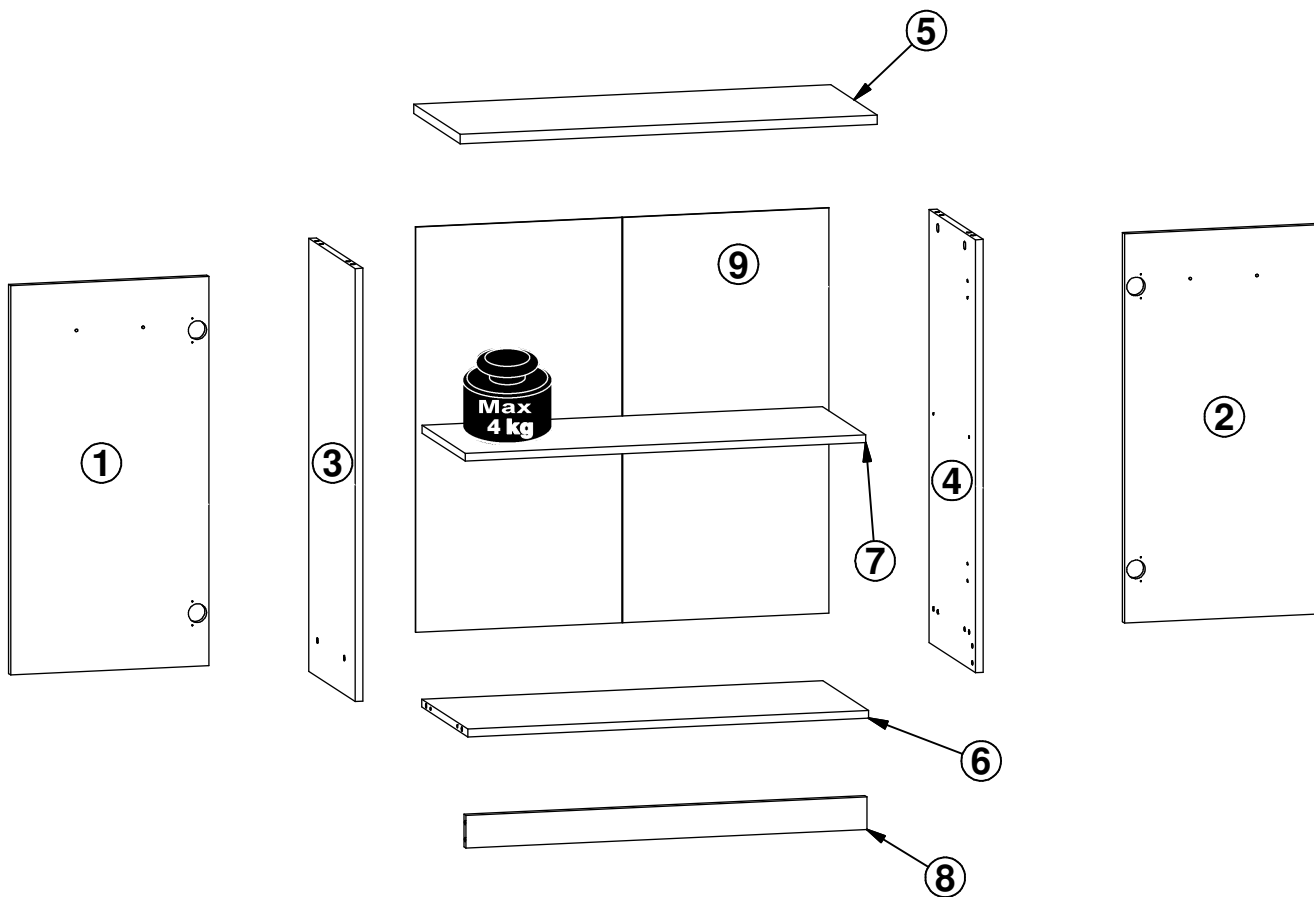
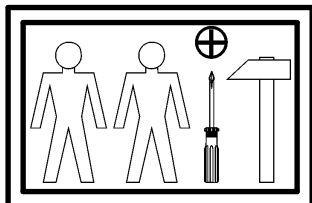
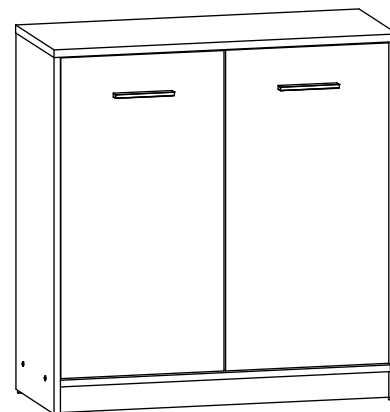
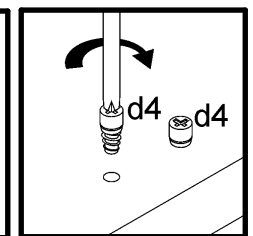
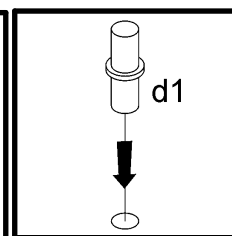
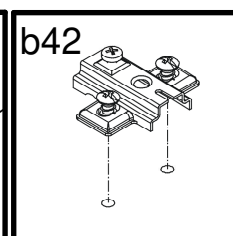
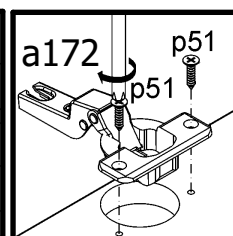
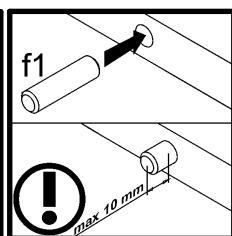
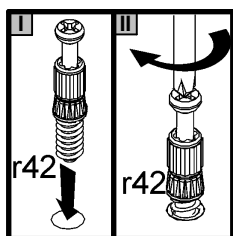
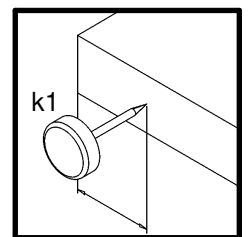
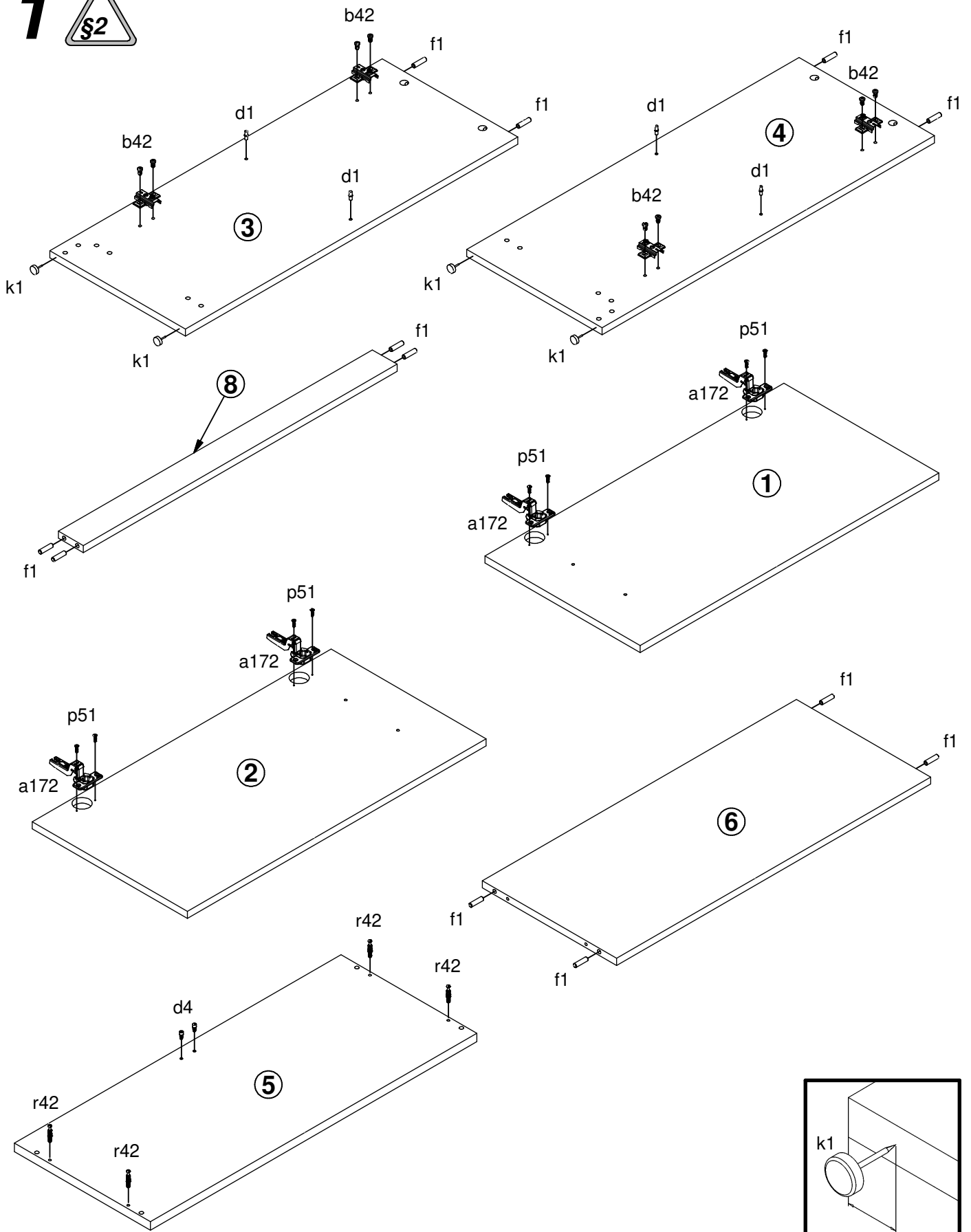


A	B	C	D
1	S435-0002	732	380 2/2
2	S435-0003	732	380 2/2
3	S435-1003	814	332 1/2
4	S435-1004	814	332 1/2
5	S435-2025	800	333 1/2
6	S435-3046	769	329 1/2
7	S435-3047	768	310 1/2
8	S435-4001	769	61 1/2
9	S435-9319	762	793 1/2

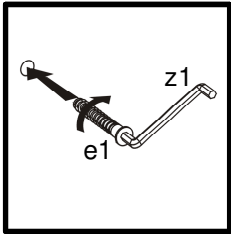
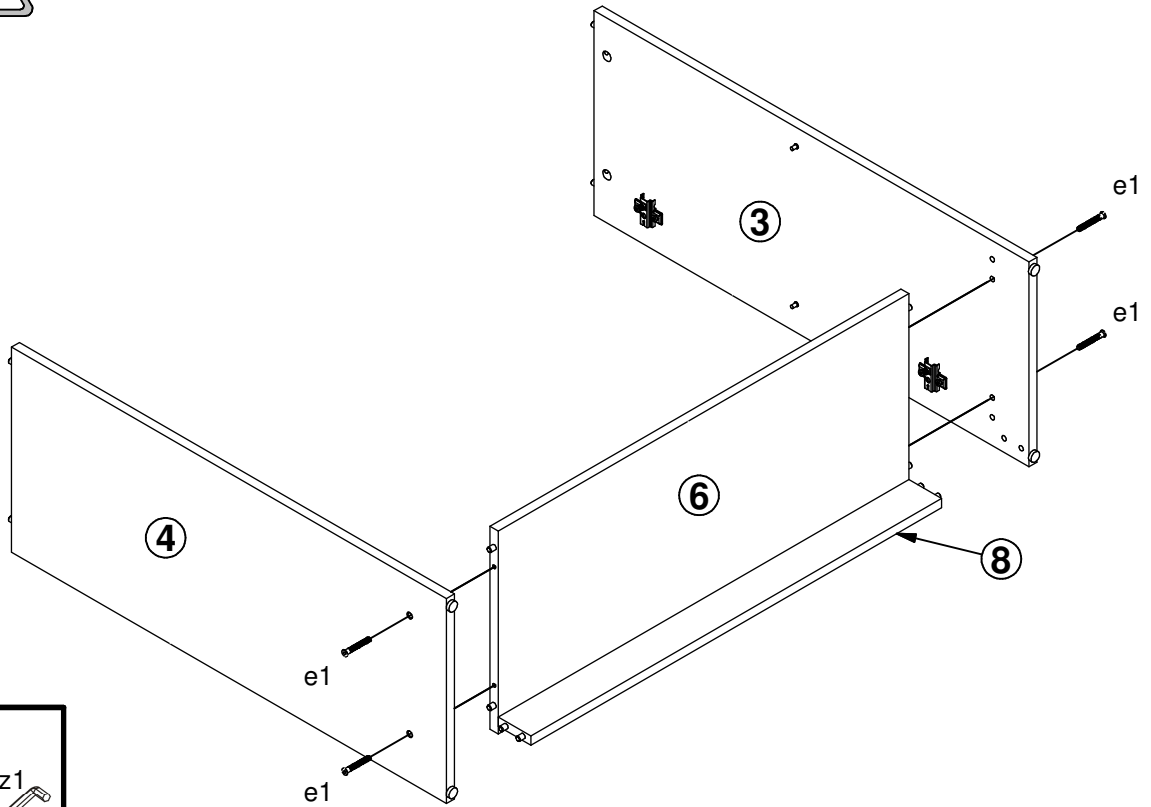


4x K18 Ø35 a172	4x b42	2x 128 mm c310	4x Ø5x17 mm d1	2x Ø6.3x15 mm d4	4x Ø7x50 mm e1	12x Ø8x30 mm f1	4x k1	35x 1.4x20 mm l1
1x n26	8x Ø3.5x15 mm p51	4x Ø4x25 mm p87	1x Ø3.5x16 mm p38	4x Ø15x12 mm #16 r1	4x 20/11 r42	4x s1	4x Ø16 s2	1x 4 mm z1

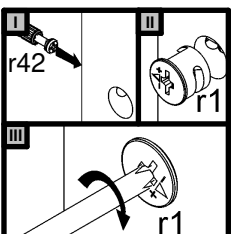
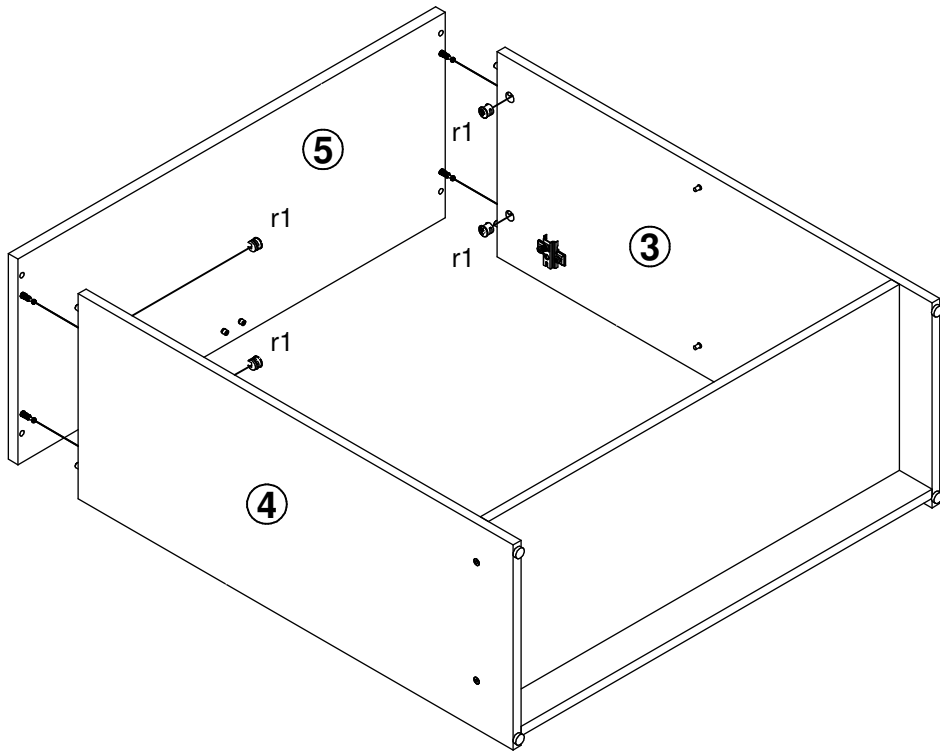
1



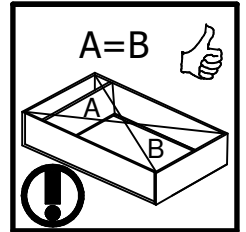
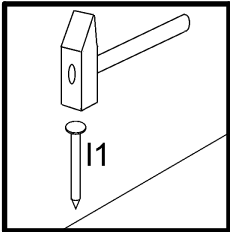
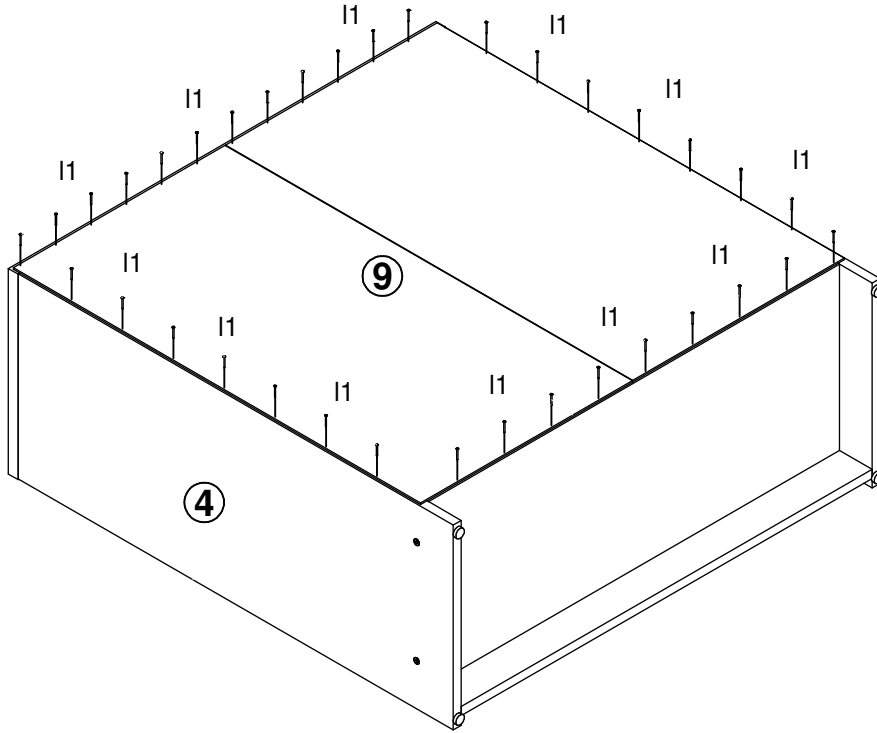
2



3



4



5

