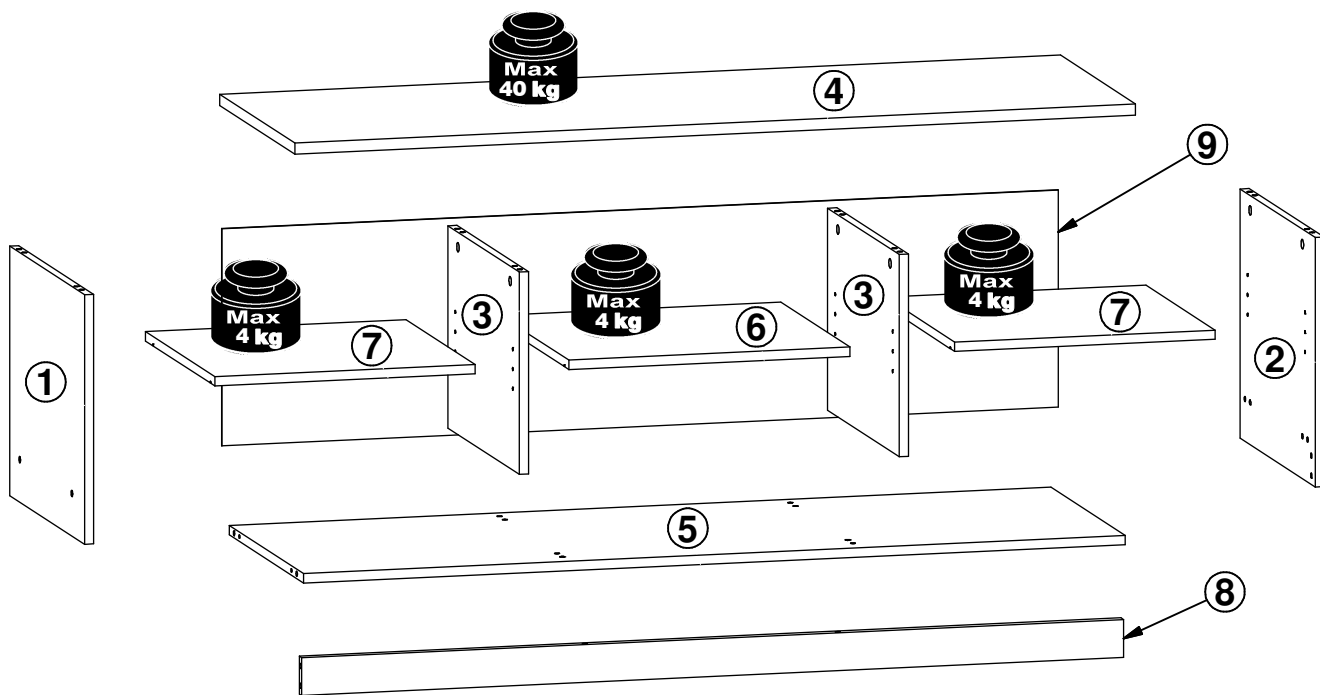
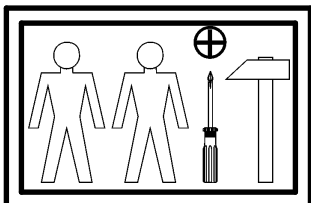
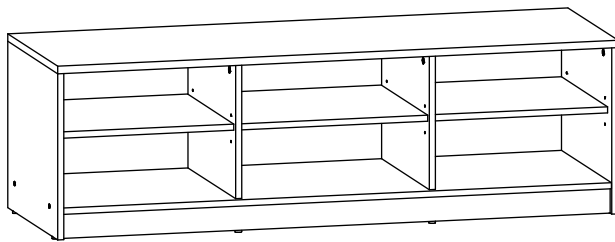
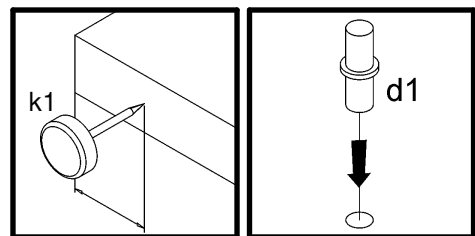
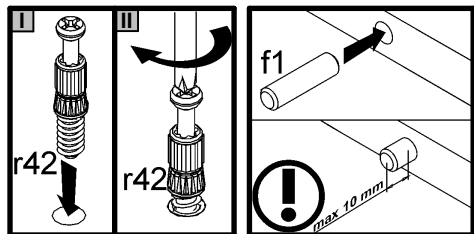
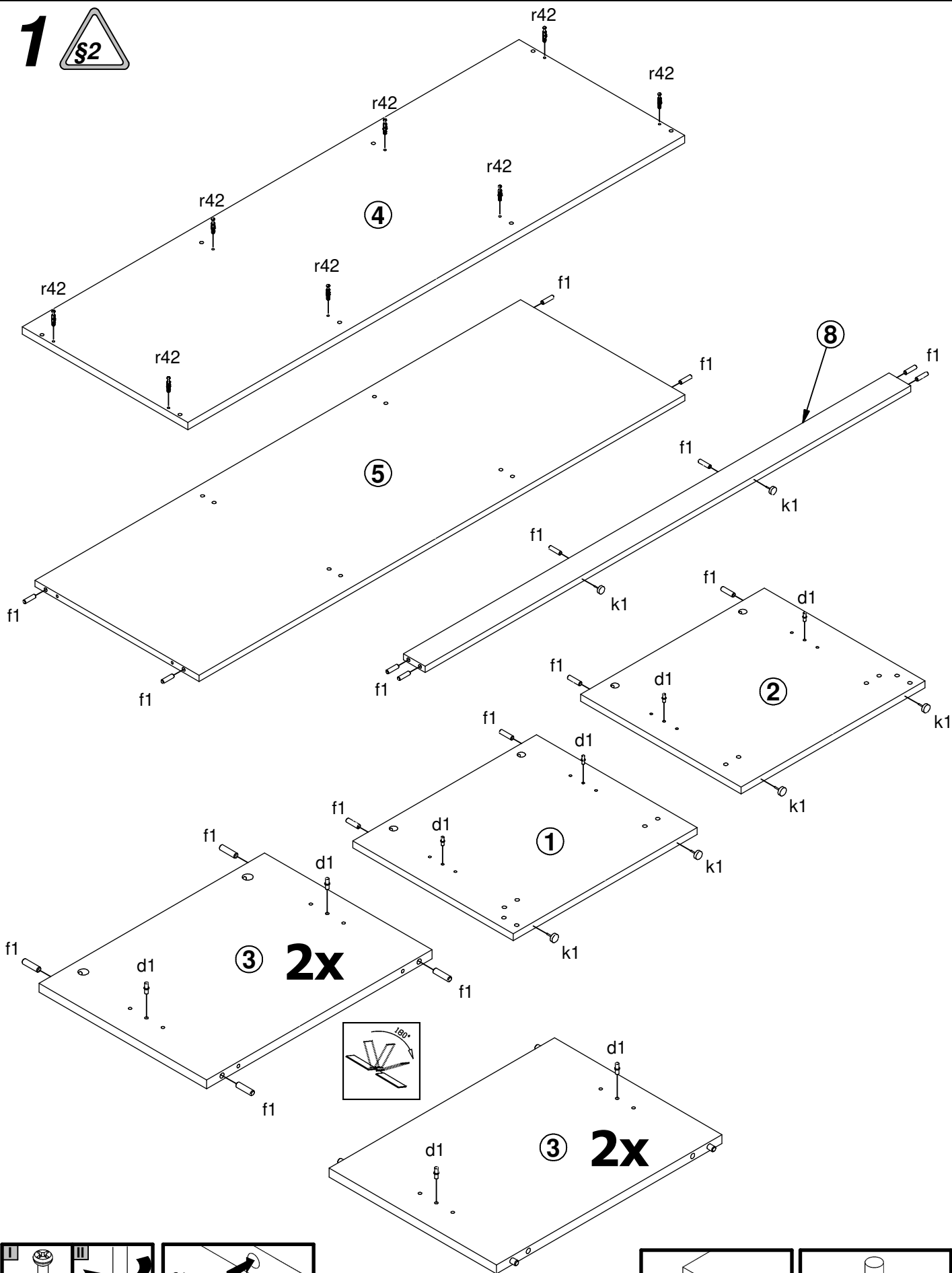


A	B	C	D
1	S435-1067	402	460 2/2
2	S435-1068	402	460 2/2
3	S435-1069	326	439 2/2
4	S435-2005	1382	461 1/2
5	S435-3009	1351	457 1/2
6	S435-3011	462	425 2/2
7	S435-3049	428	425 2/2
8	S435-4007	1351	61 1/2
9	S435-9026	1375	350 1/2

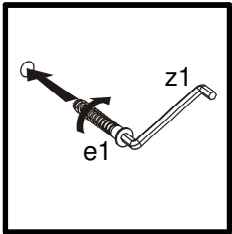
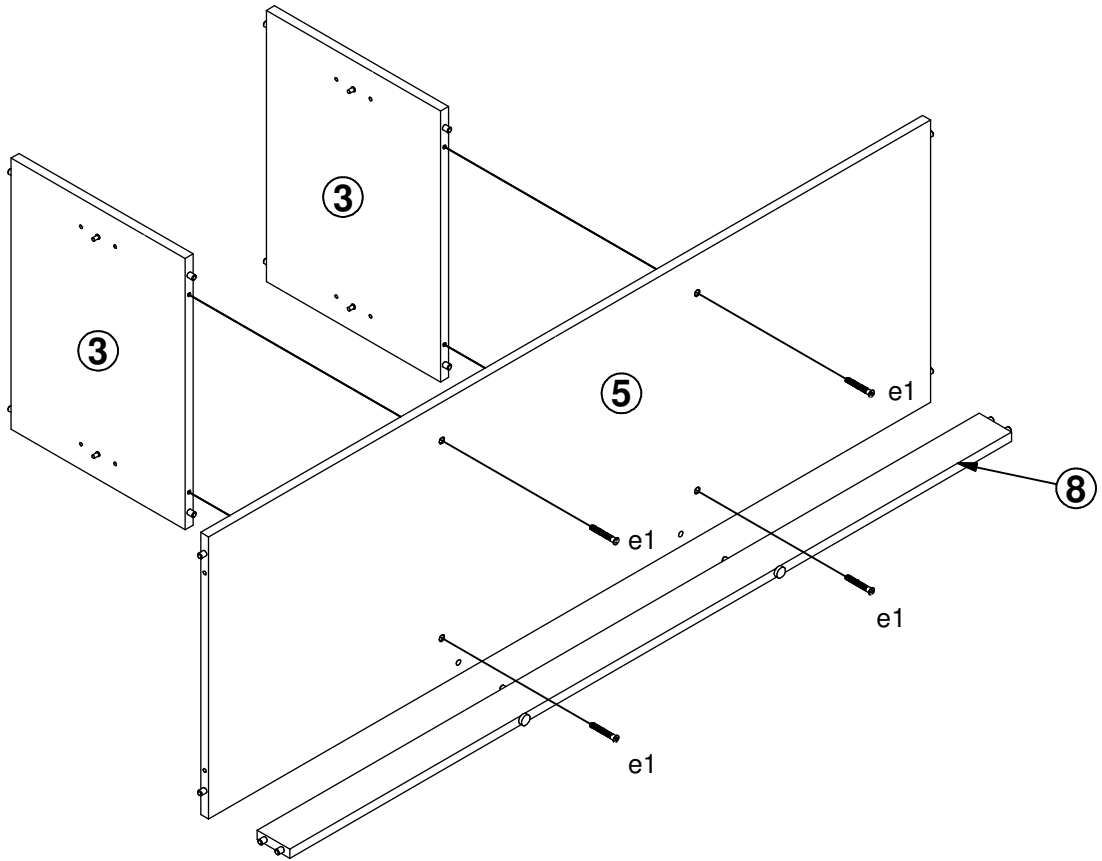


12x Ø5x17 mm d1	8x Ø7x50 mm e1	22x Ø8x30 mm f1	6x k1	40x 1.4x20 mm l1	1x n26	1x Ø3.5x16 mm p38	8x Ø15x12 mm #16 r1	8x 20/11 r42
4x s1	8x Ø16 s2	1x 4 mm z1						

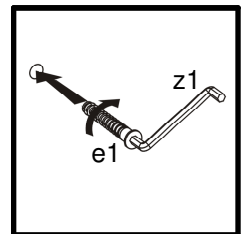
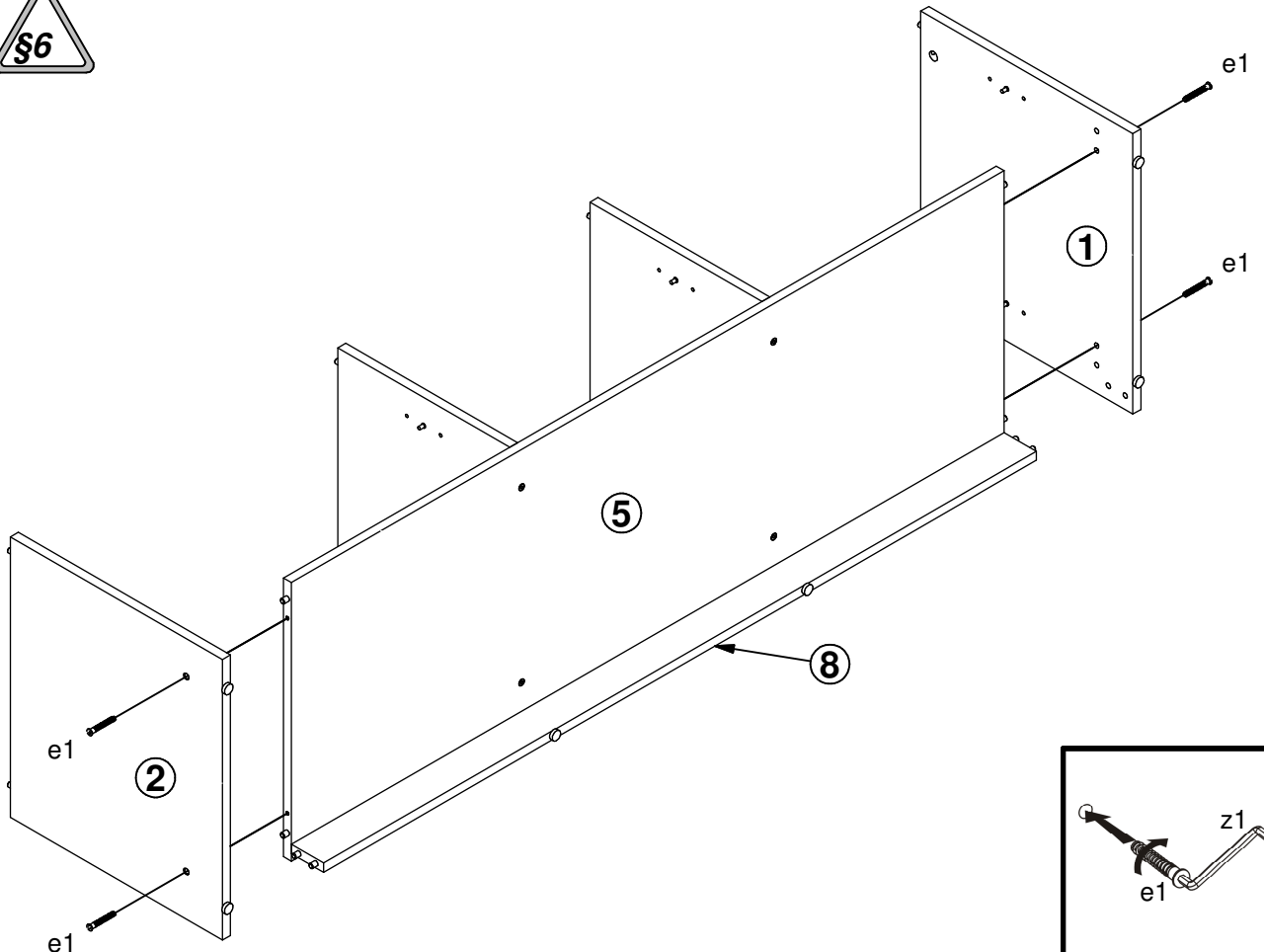
1



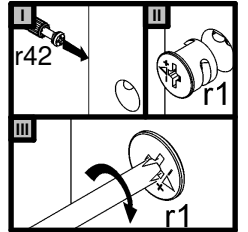
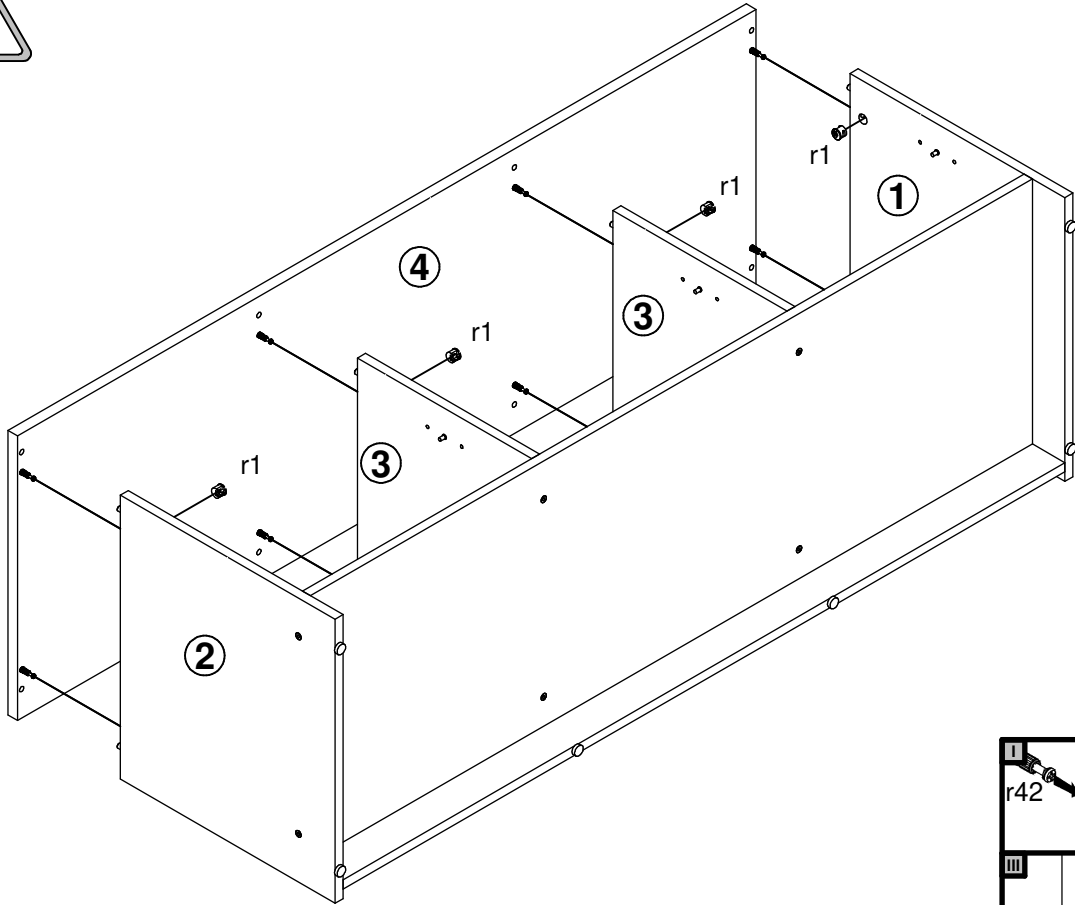
2



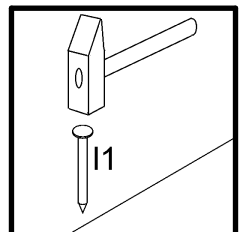
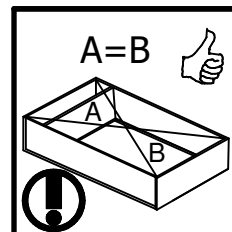
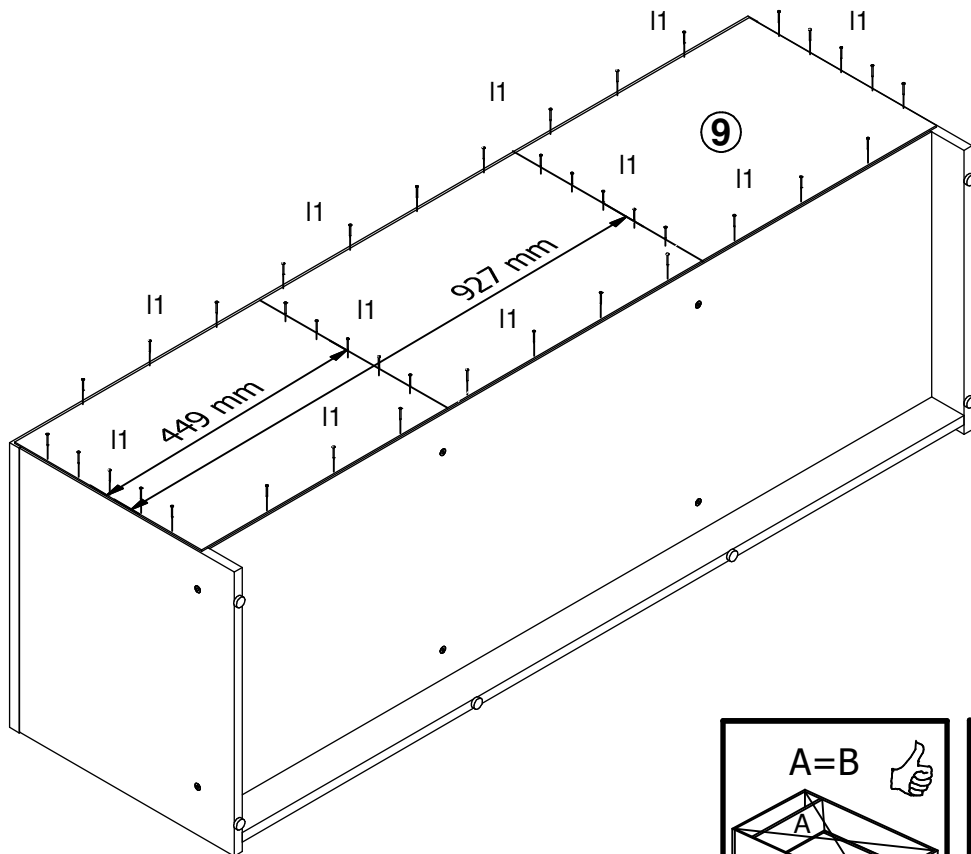
3



4



5



6

