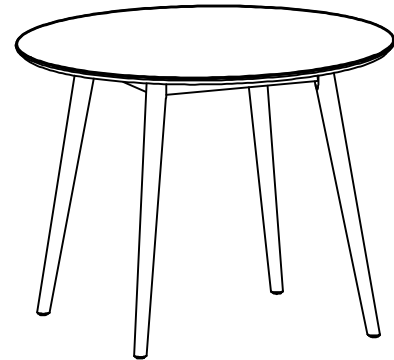


STOŁY

D09058-TXS-KEILA

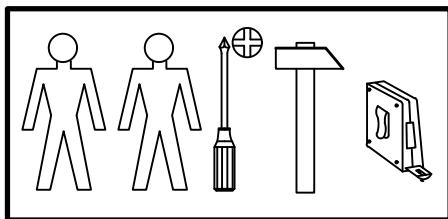
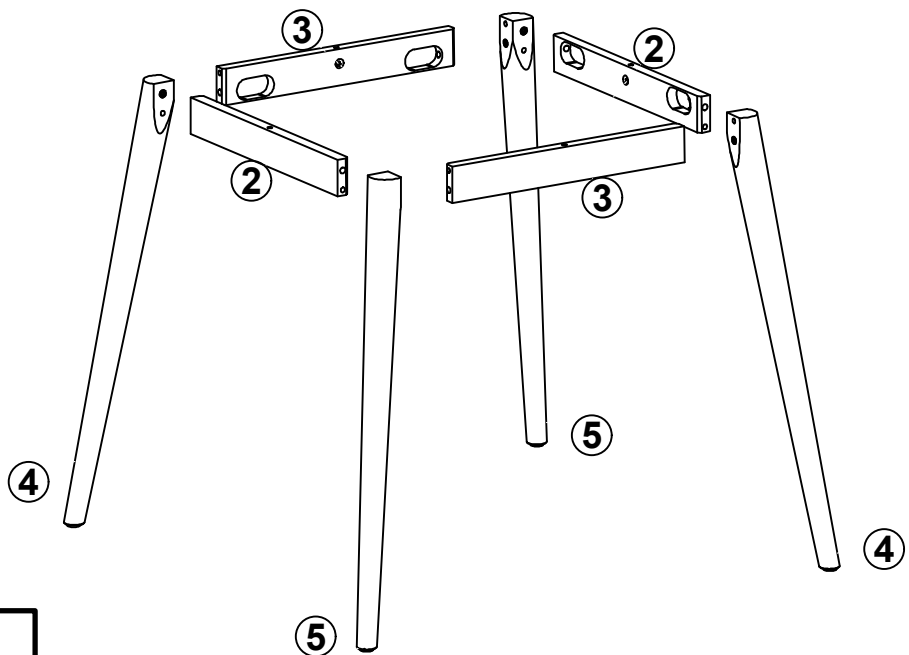
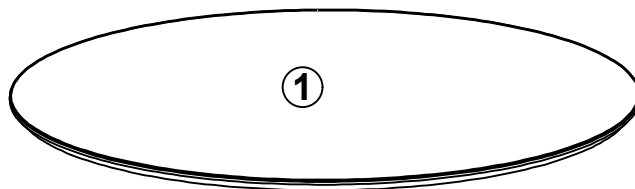
A	B	C		D
1	D09058-701	1000	1000	1z2
2	D09058-401	436	60	1z1
3	D09058-402	436	60	1z1
4	D09058-101	761	55	1z1
5	D09058-102	761	55	1z1
6	D09058-103	763	62	1z1
7	D09058-104	763	62	1z1



4 5

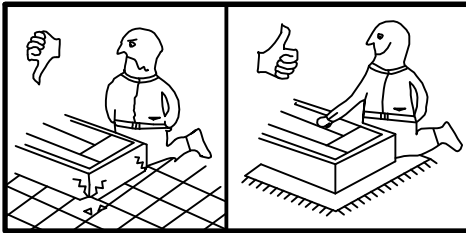
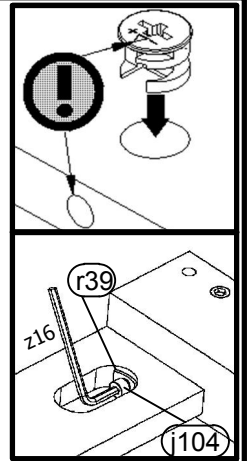
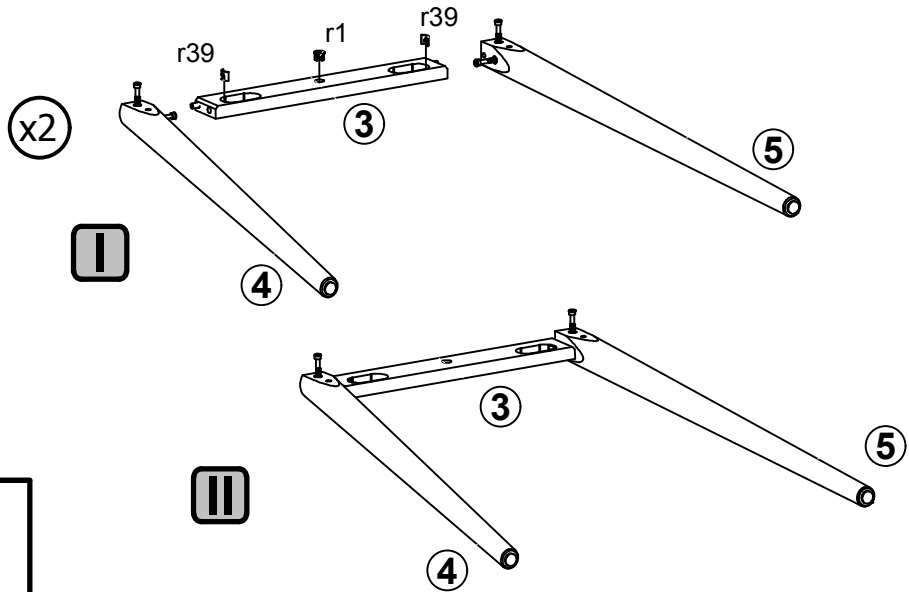
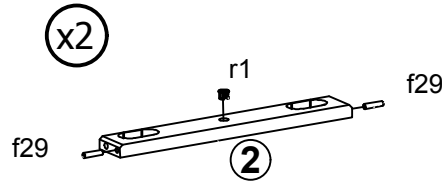
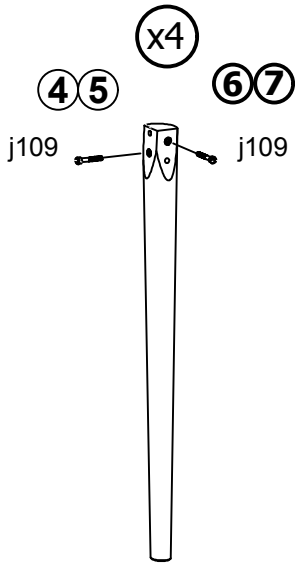
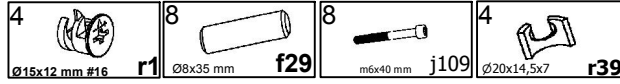


6 7

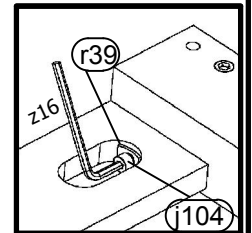
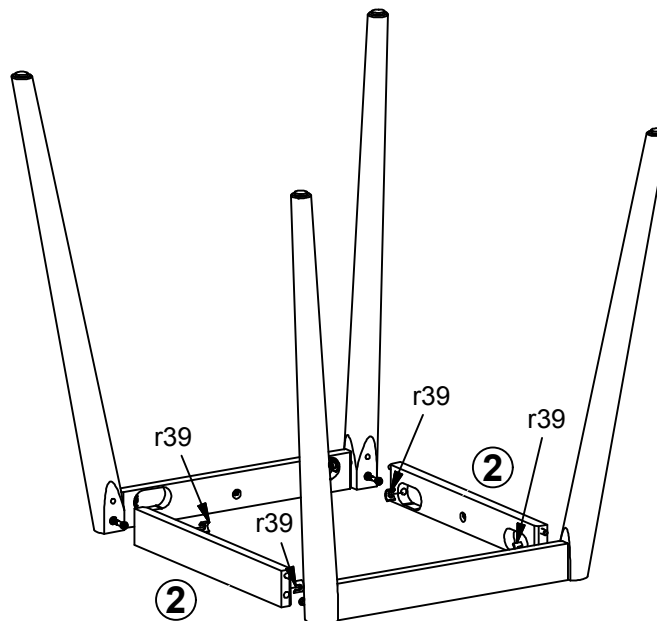
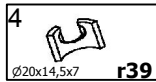


8		8		8		4		4		1		4		
	∅8x35 mm	f29	m6x40 mm	j109	∅20x14,5x7	r39	20/11	r42	∅15x12 mm #16	r1	5 mm	z17	∅20x3	k103

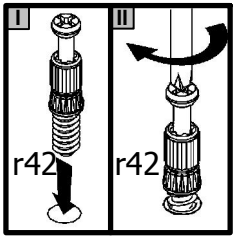
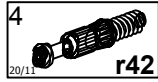
1



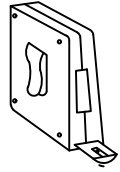
2



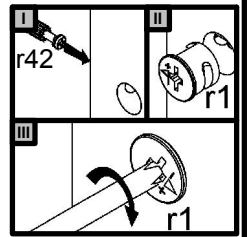
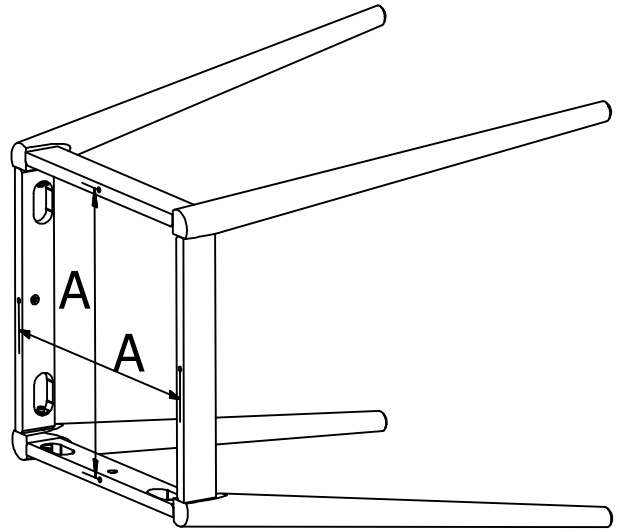
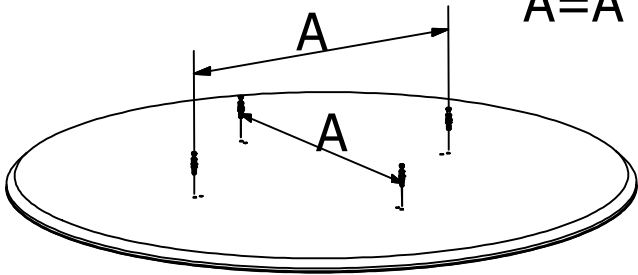
3



III



I



4

