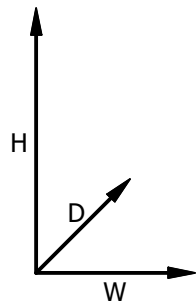
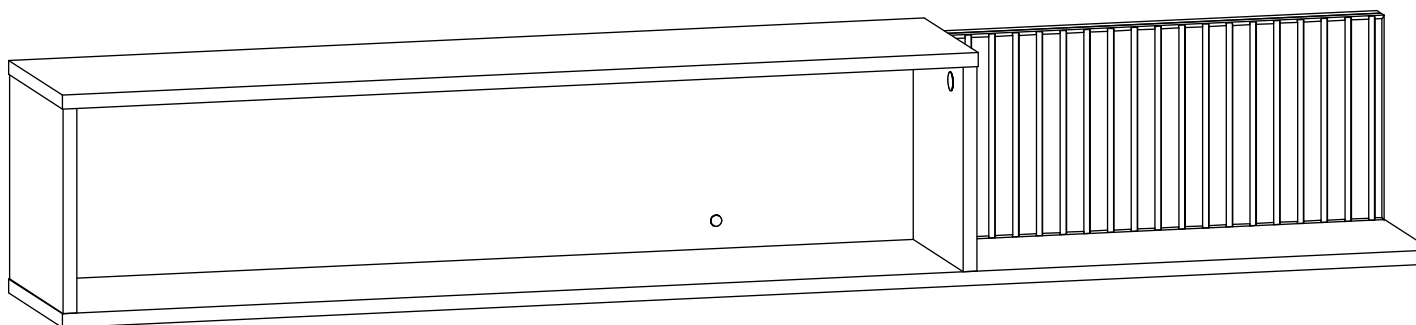
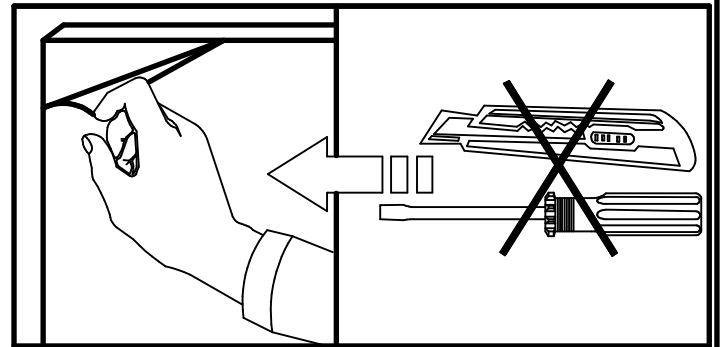
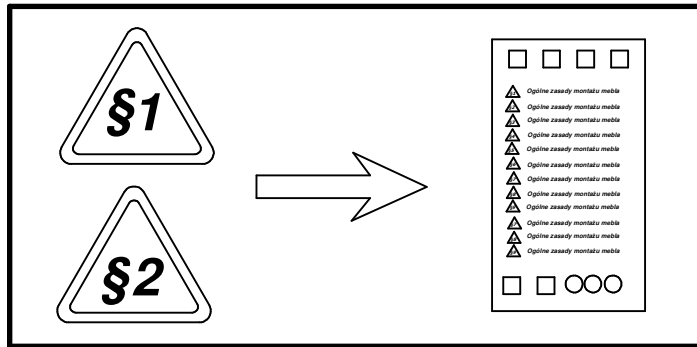
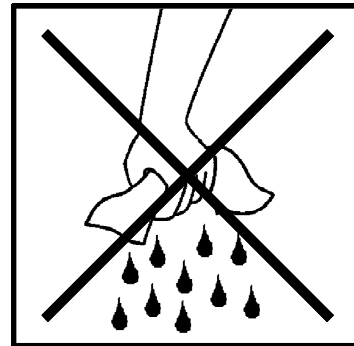
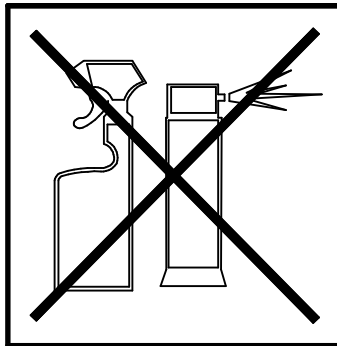
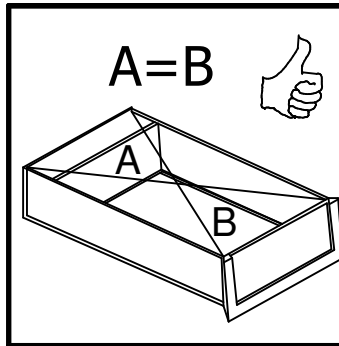
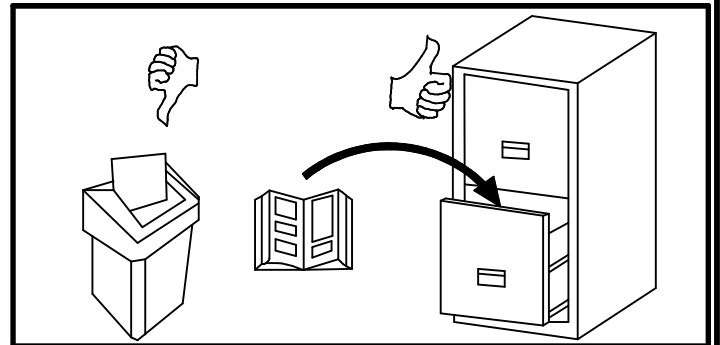
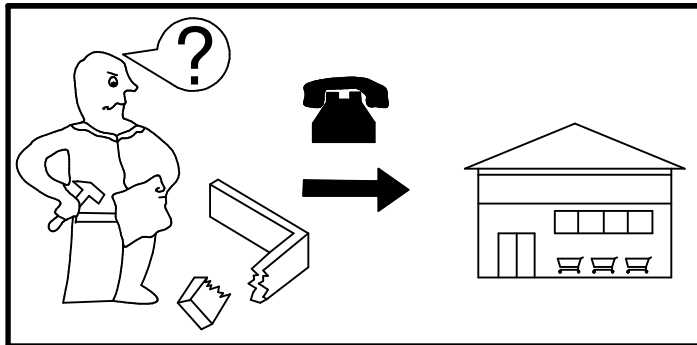
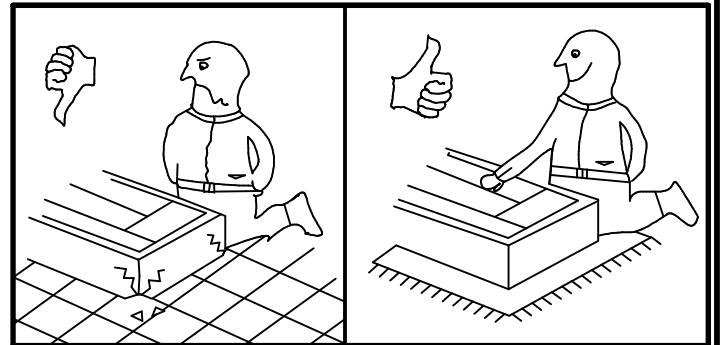
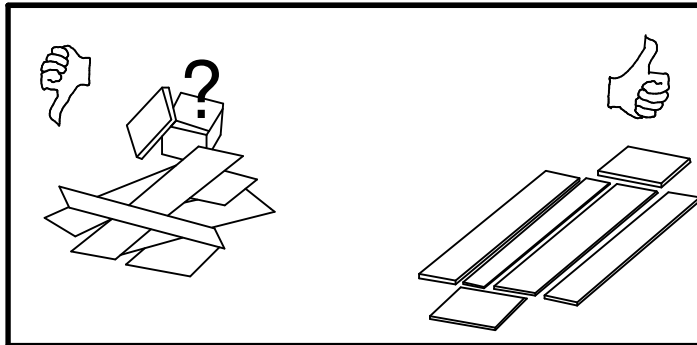
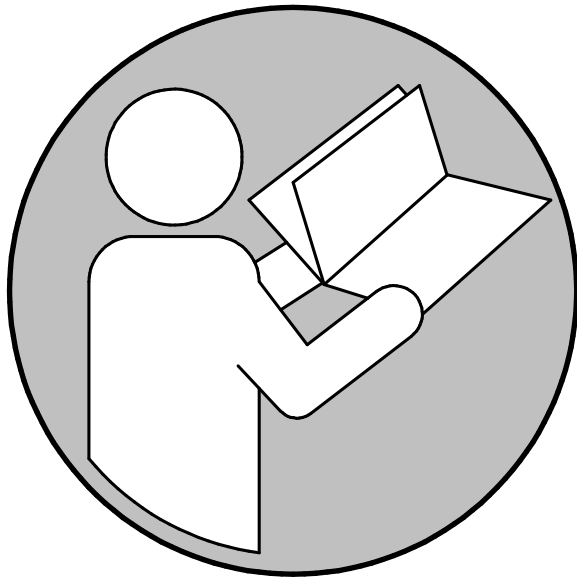


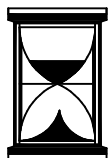
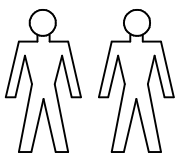
# ZENDA

# S617-POL/150



H - 250 mm  
W - 1500 mm  
D - 220 mm

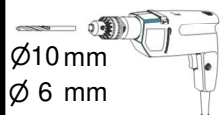
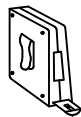
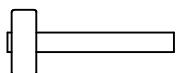
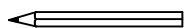
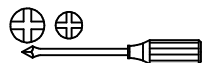
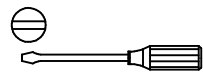




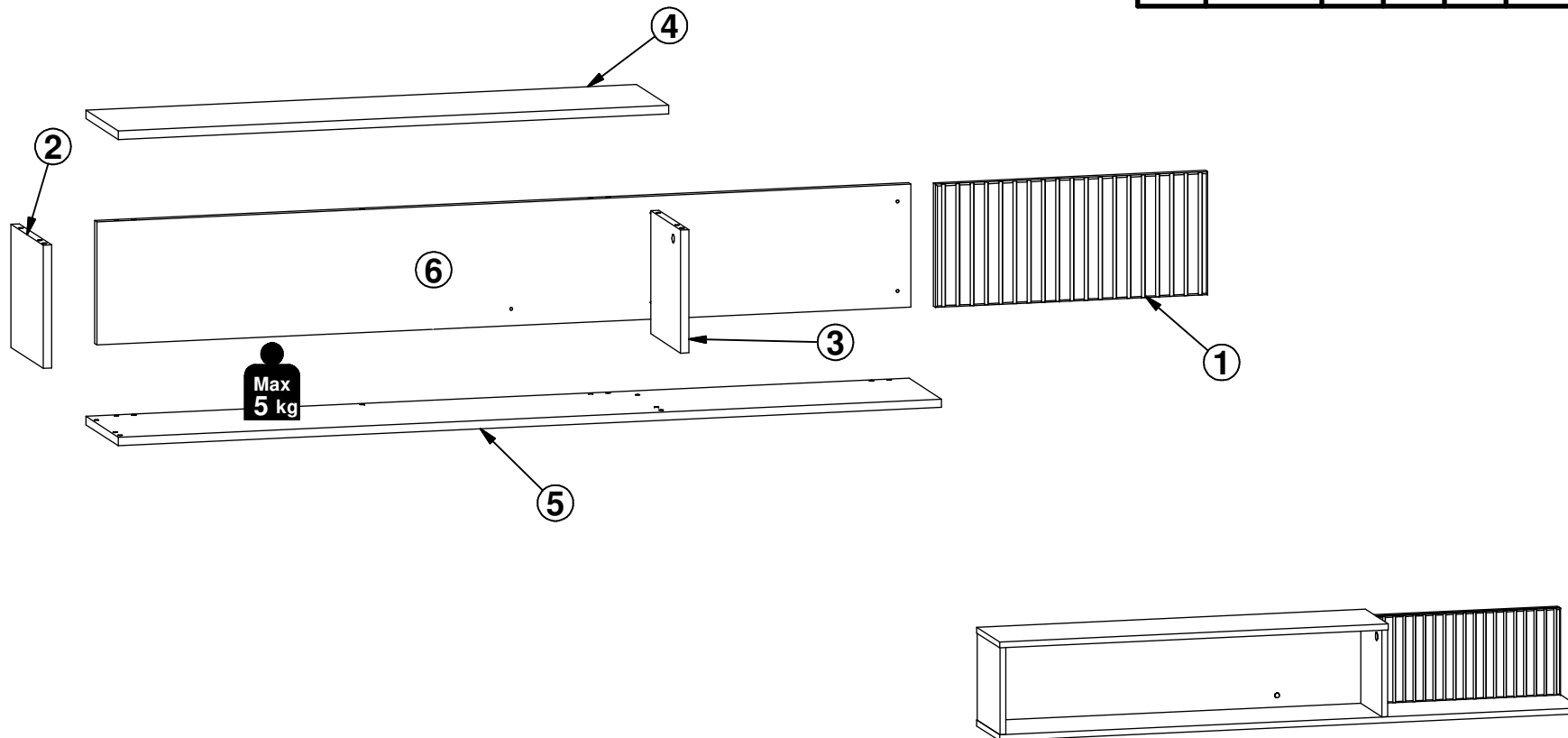
30 min



A	B	C (mm)			D
1	S617-0124	220	496	16	1/1
2	S617-1037	220	219	15	1/1
3	S617-1038	220	204	15	1/1
4	S617-2019	1003	220	15	1/1
5	S617-2020	1500	220	15	1/1
6	S617-4012	1483	220	15	1/1



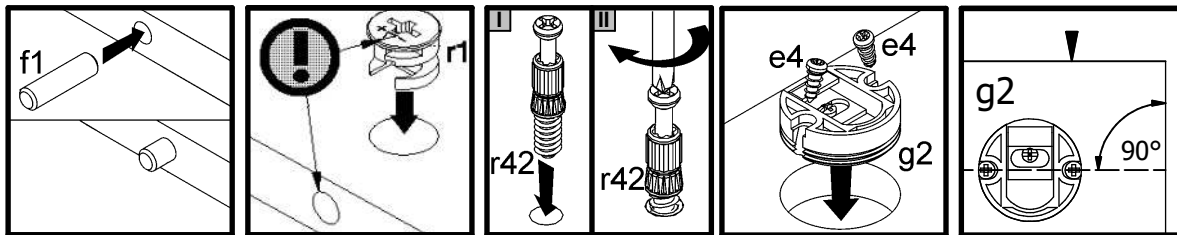
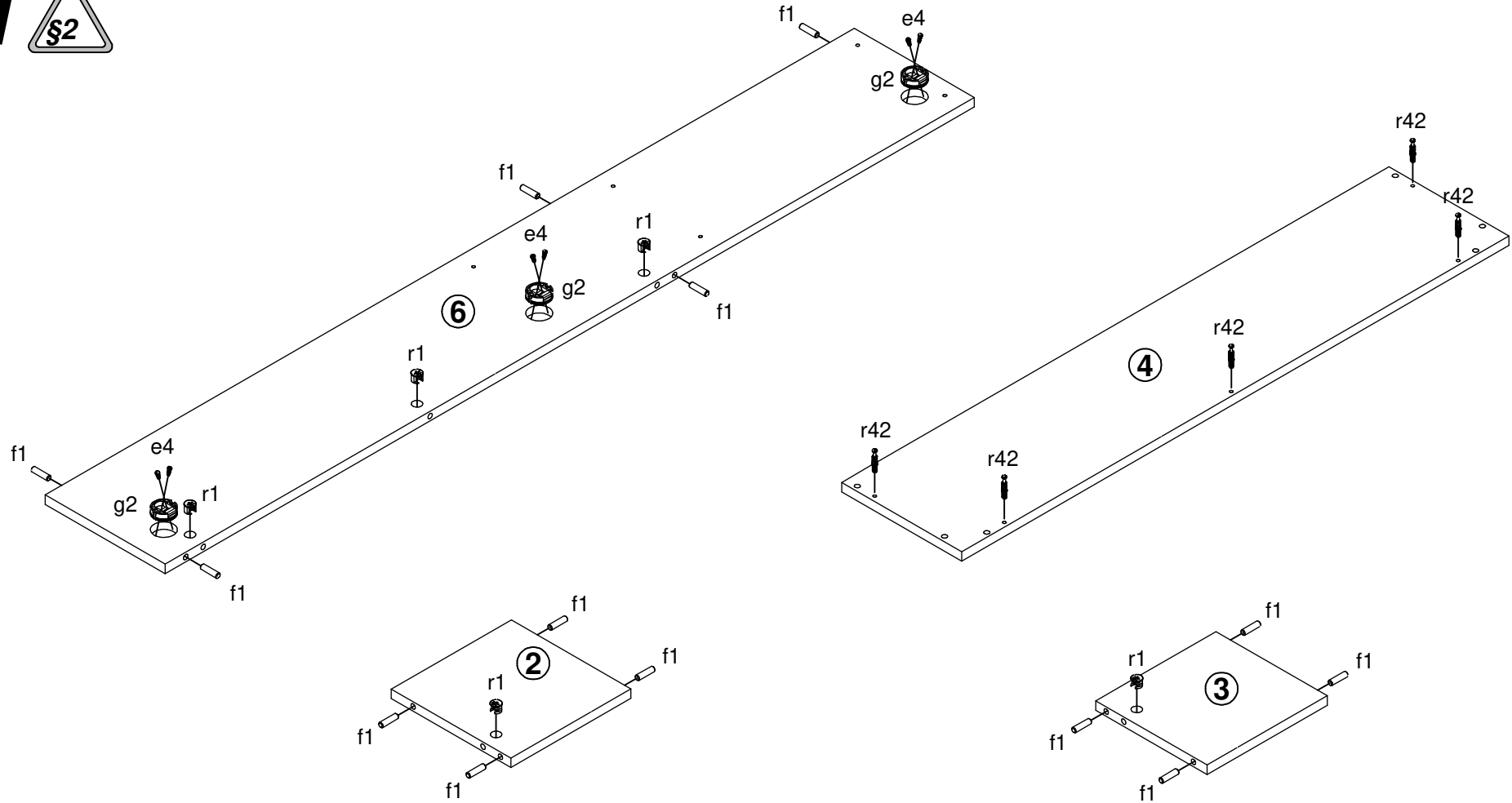
Ø10 mm  
Ø 6 mm



D
1/1

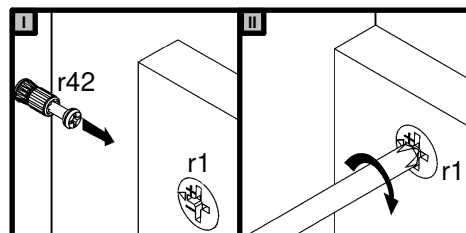
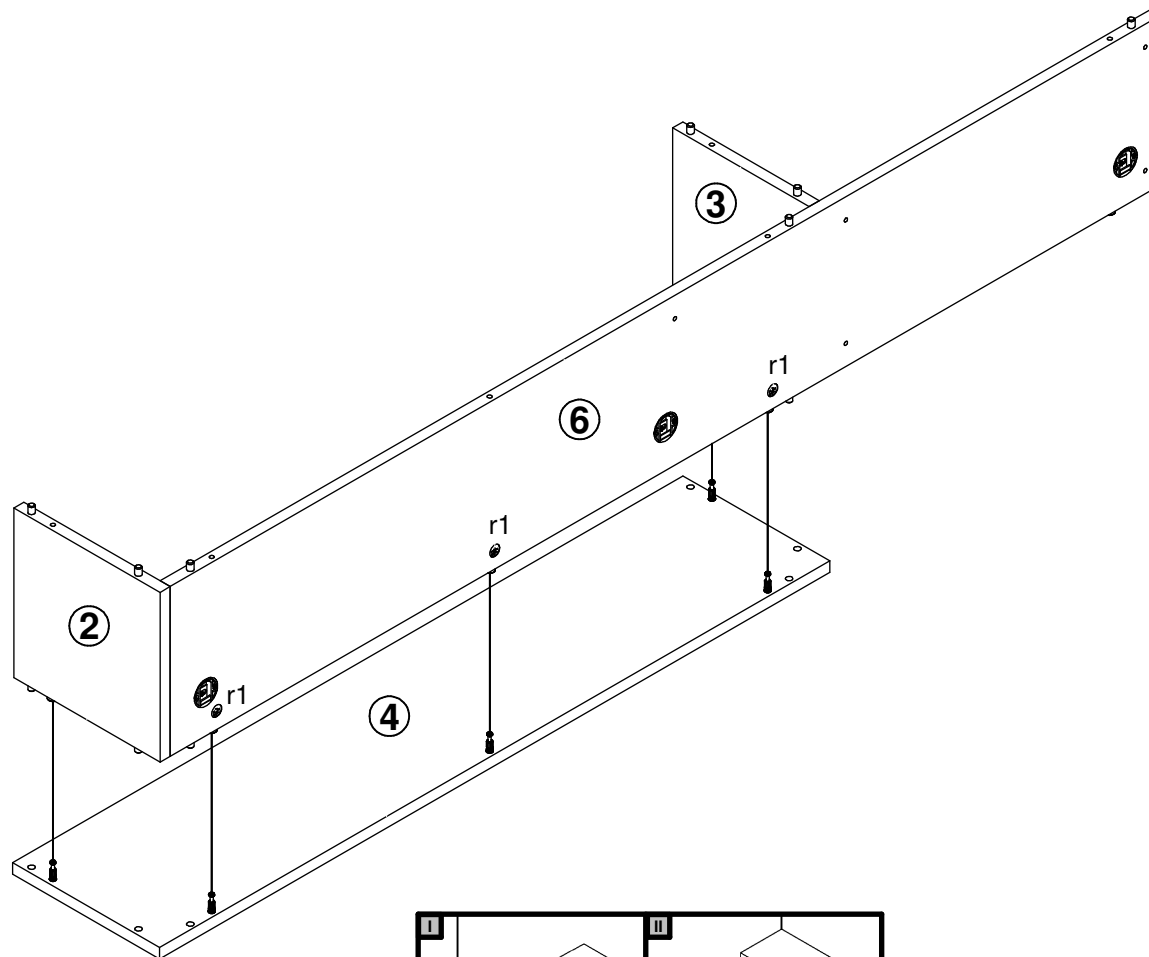
6x Ø7x50 mm <b>e1</b>	6x Ø5x11 mm <b>e4</b>	13x Ø8x30 mm <b>f1</b>	3x Ø10x50 mm <b>f35</b>	1x Ø6x30 mm <b>f50</b>	3x <b>g2</b>	4x Ø4x25 mm <b>p36</b>	1x Ø4x45 mm <b>p62</b>	3x Ø6x60 mm <b>p75</b>	5x Ø15x12 mm #16 <b>r1</b>	5x 20/11 <b>r42</b>	7x Ø14x0.5 mm <b>s59</b>	2x Ø20mm <b>s68</b>
2x silikon <b>s60</b>	1x 4 mm <b>z1</b>											

**1** 

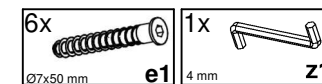
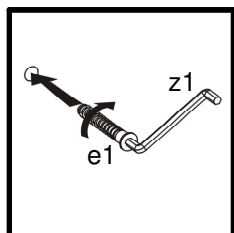
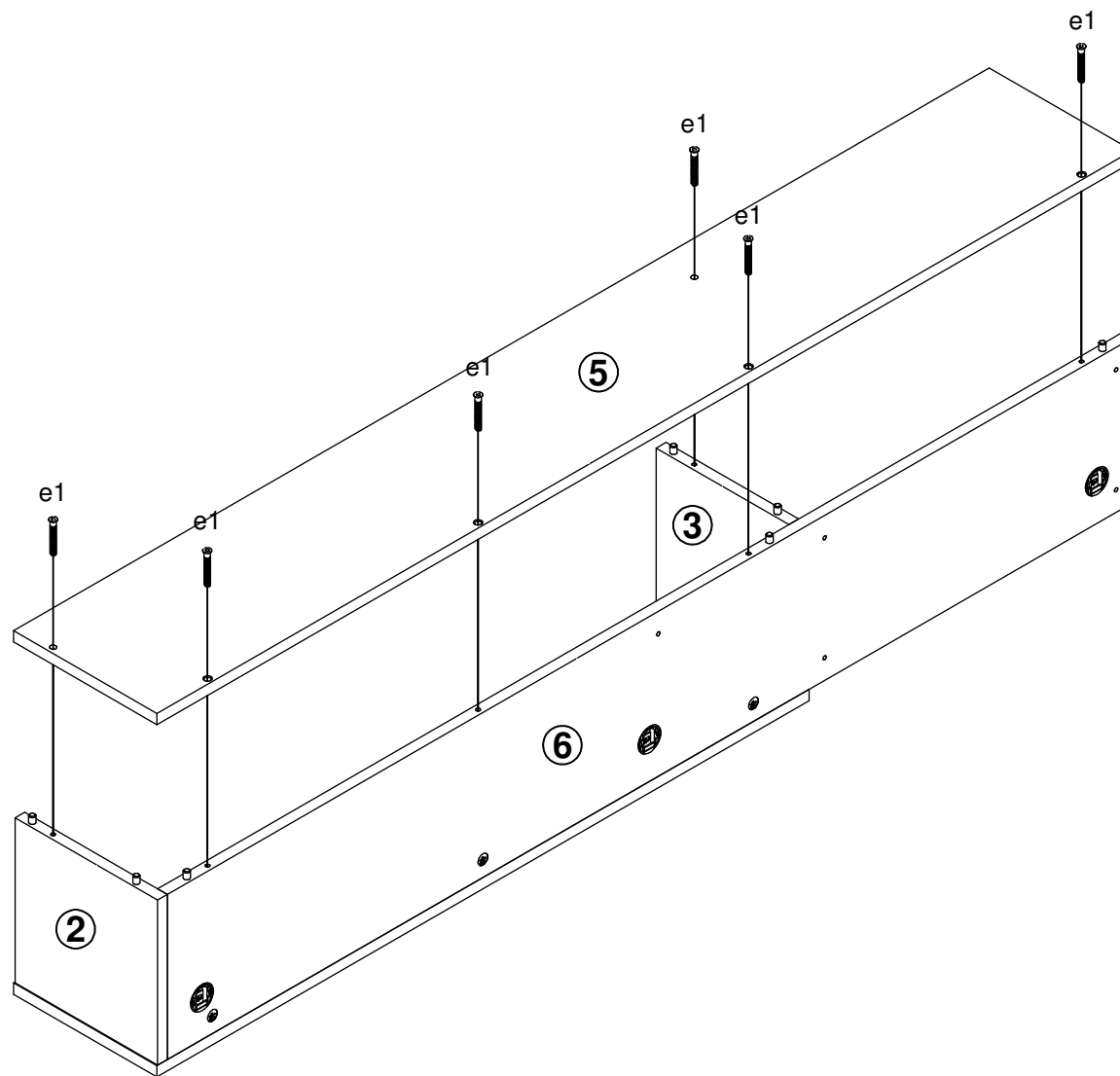


6x Ø5x11 mm  e4	13x Ø8x30 mm  f1	3x  g2	5x Ø15x12 mm #16  r1	5x 20/11  r42
---	--	---	--	---

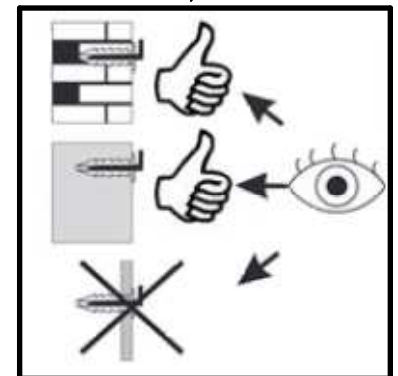
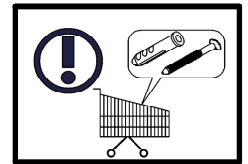
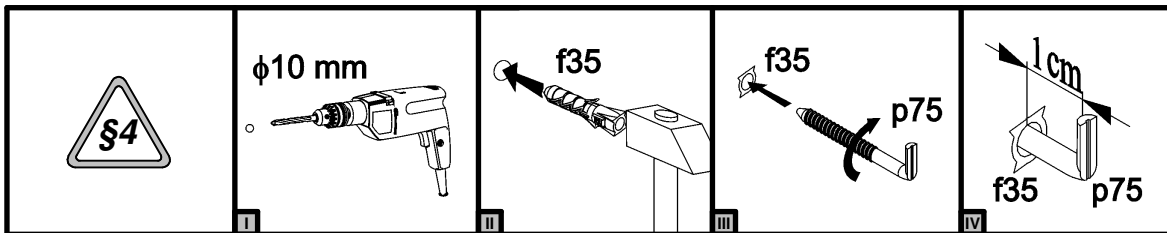
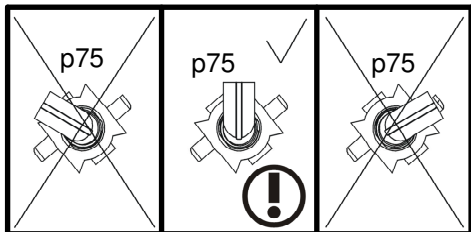
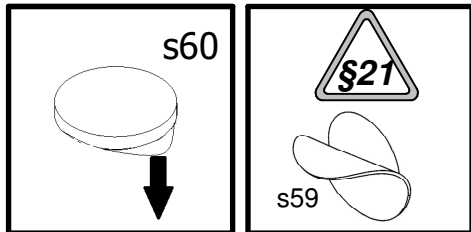
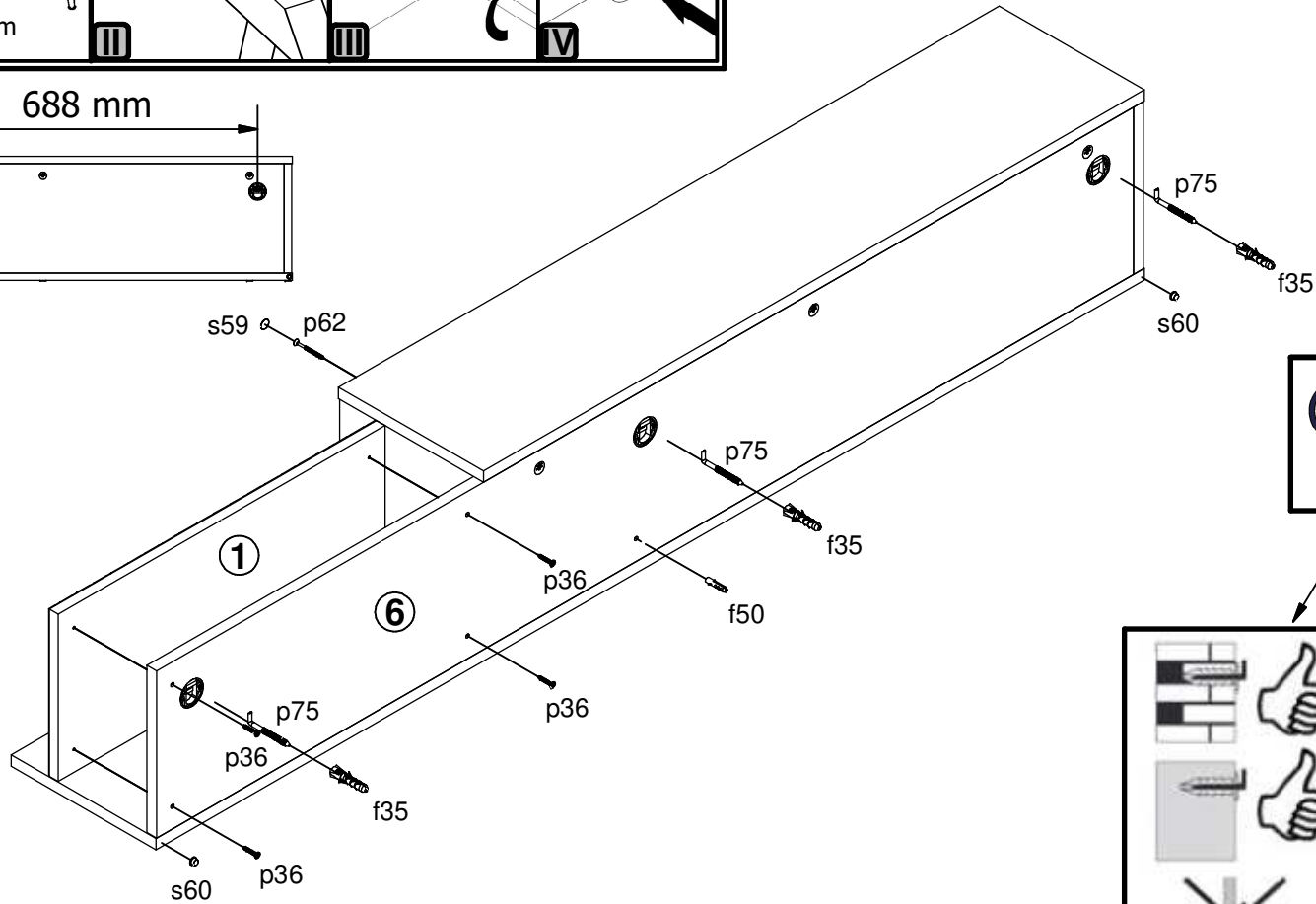
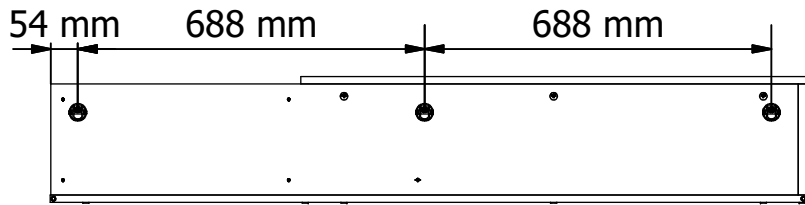
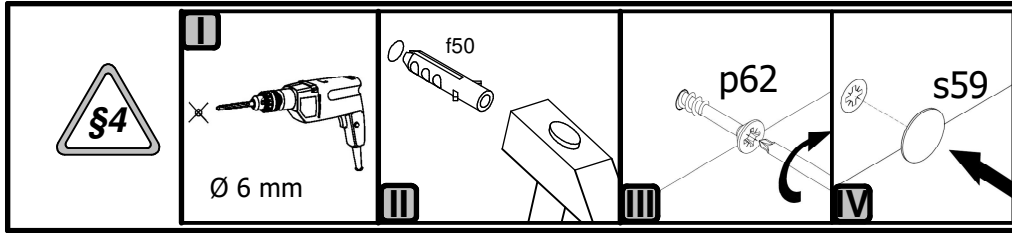
2 



**3** 

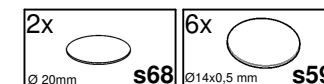
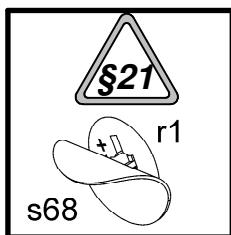
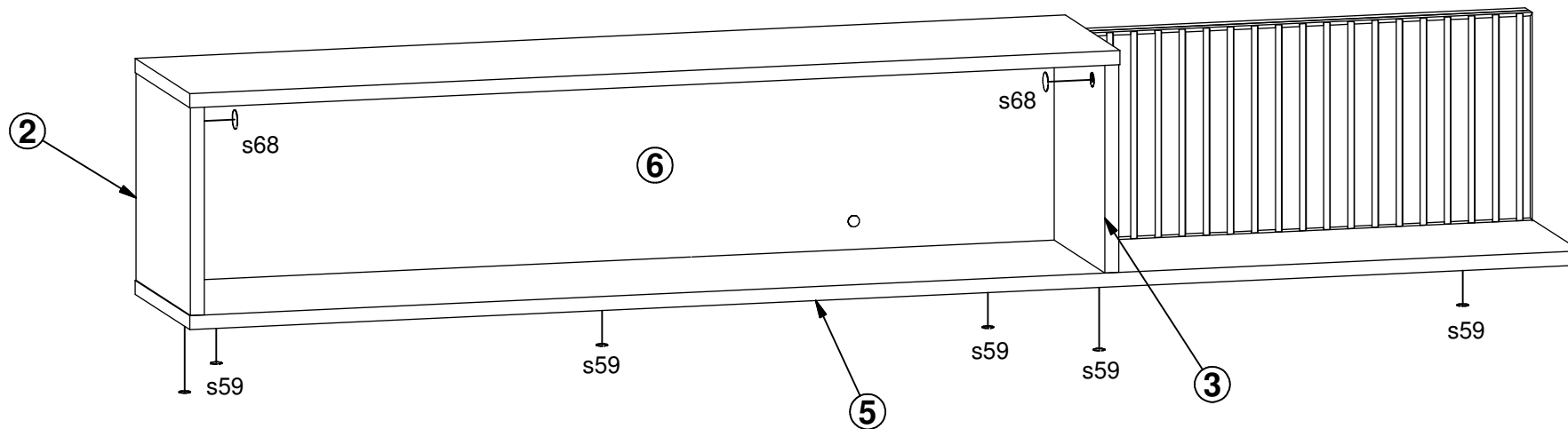


4 



1x Ø6x30 mm f50	3x Ø10x50 mm f35	4x Ø4x25 mm p36	1x Ø4x45 mm p62
3x Ø6x60 mm p75	2x silikon s60	1x Ø14x0,5 mm s59	

5 





6

