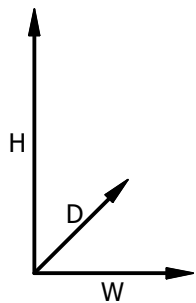
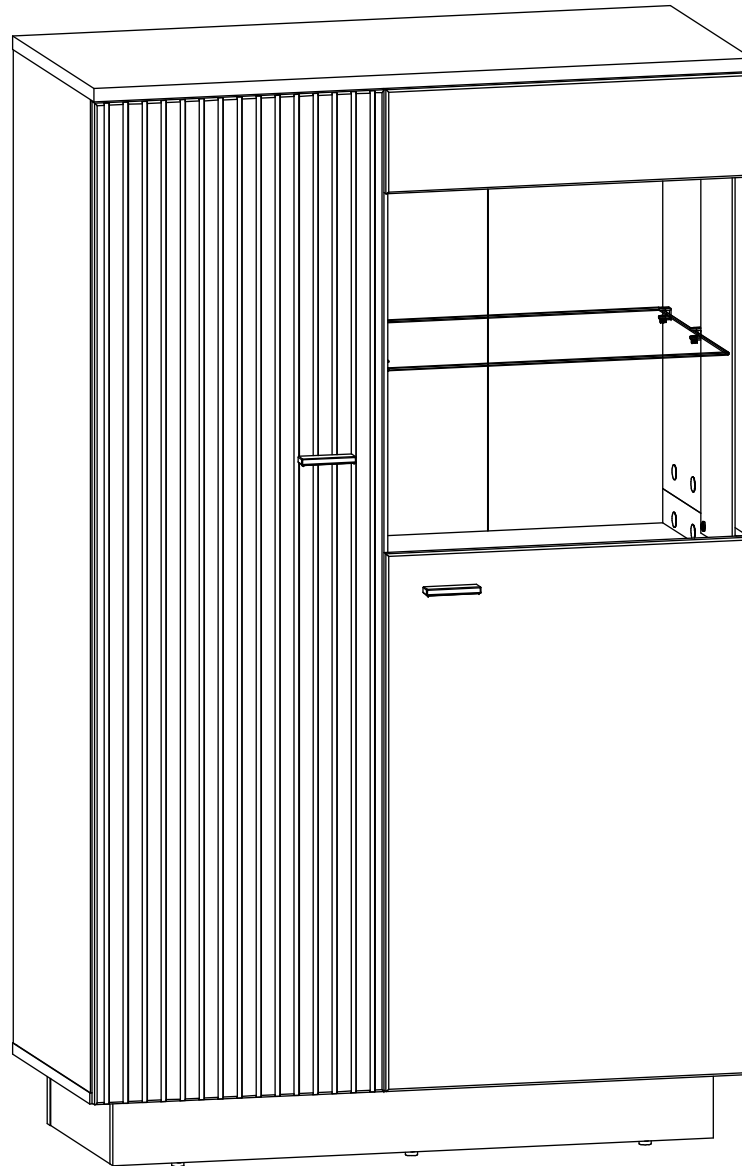
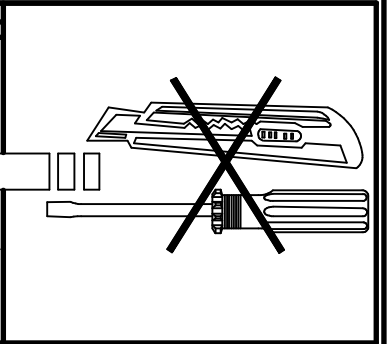
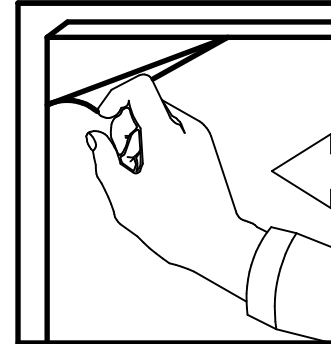
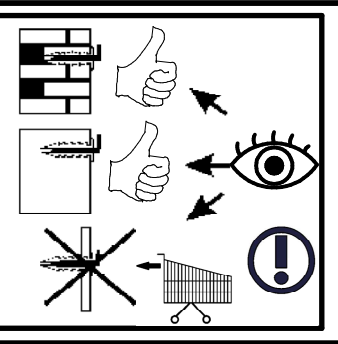
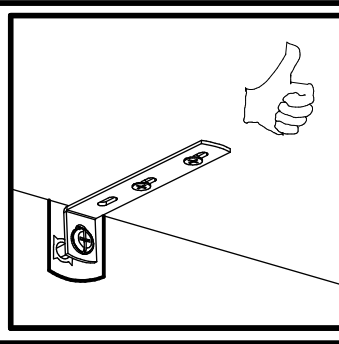
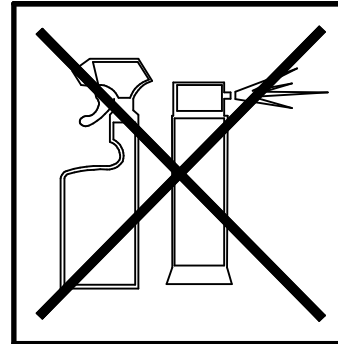
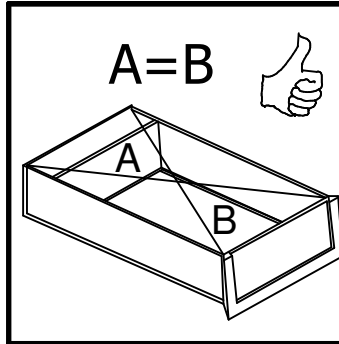
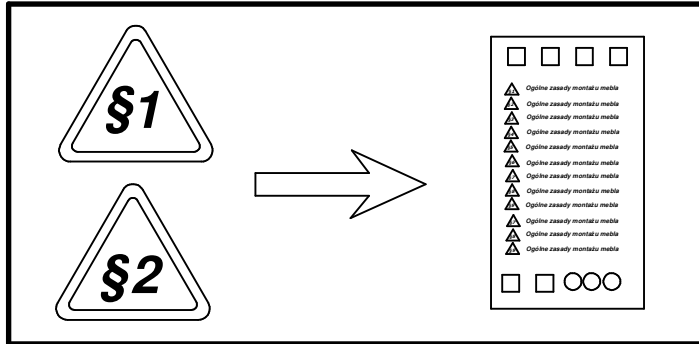
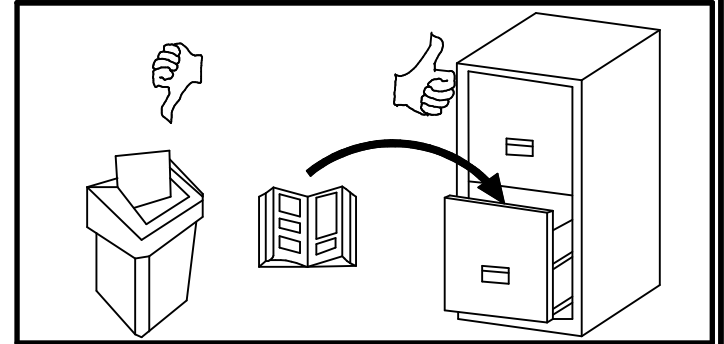
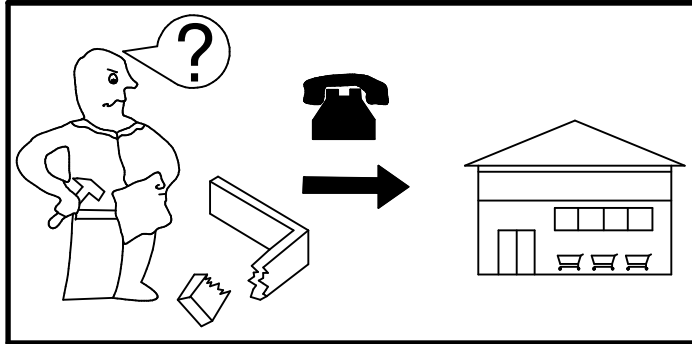
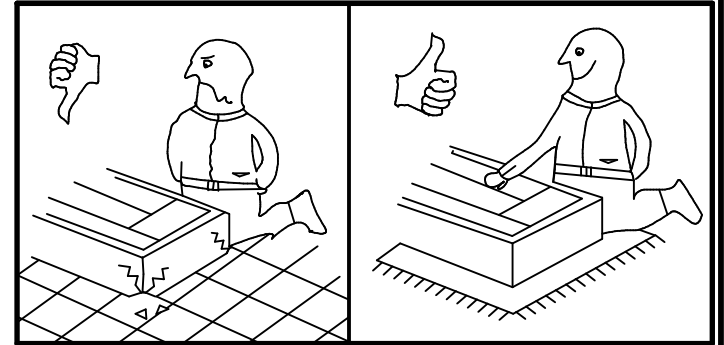
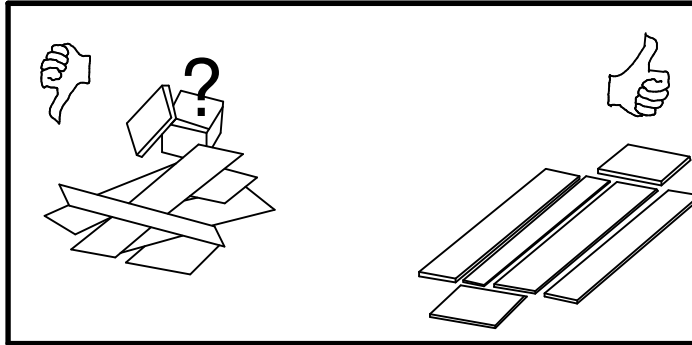
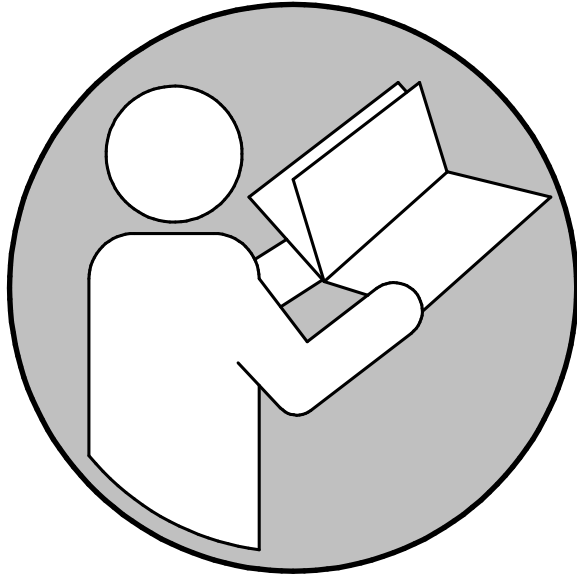


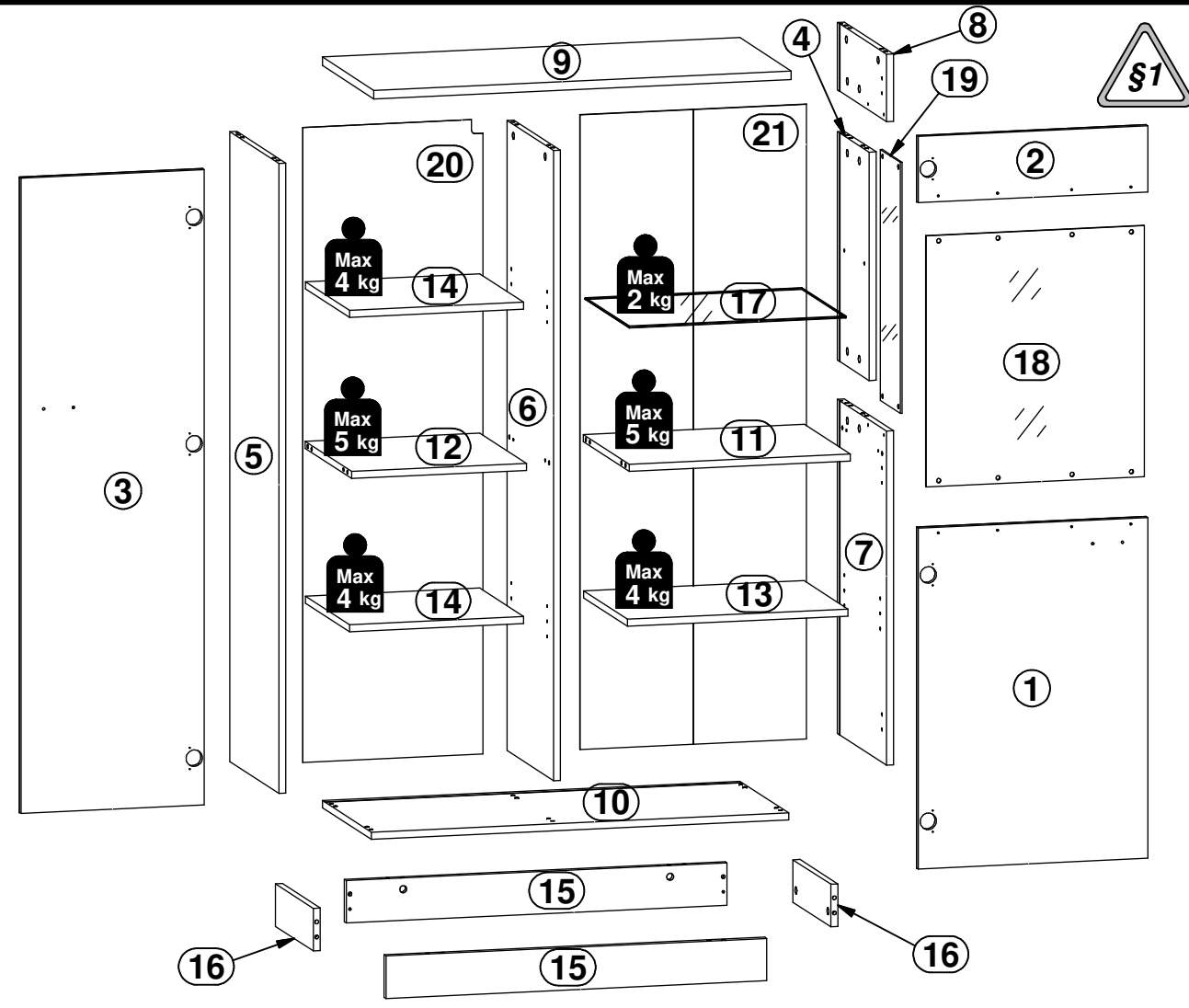
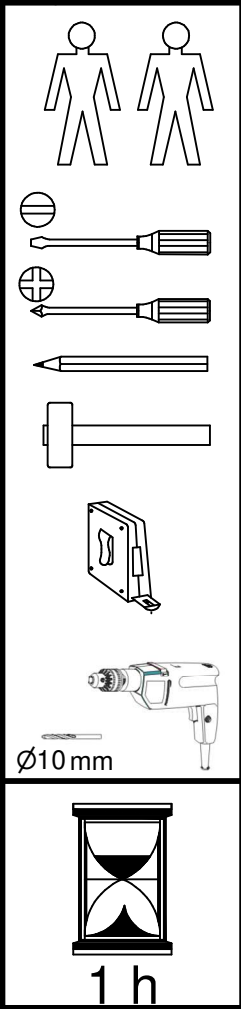
# ZENDA

# S617-REG1D1W/150

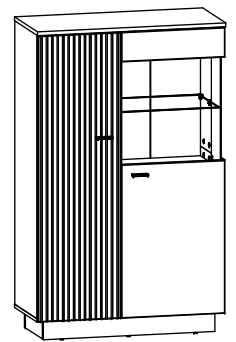


H - 1463 mm  
W - 901 mm  
D - 415 mm



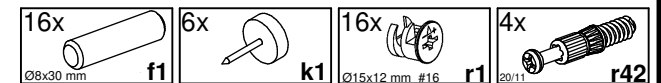
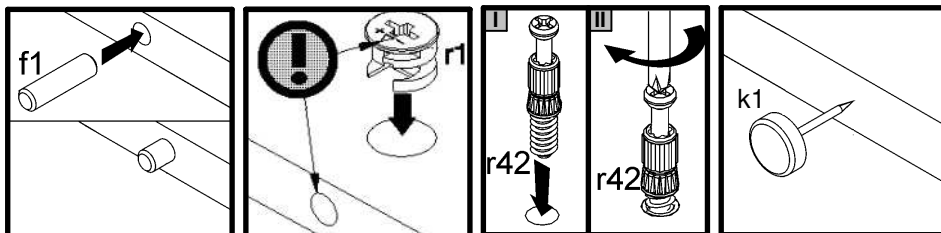
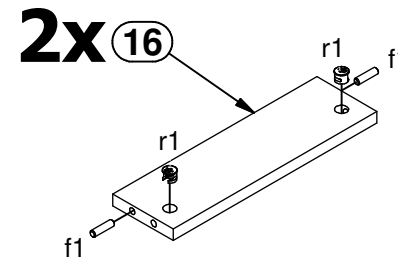
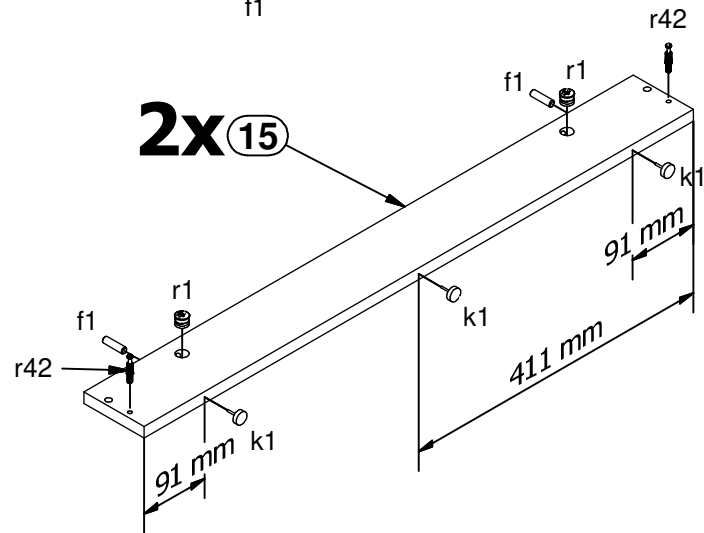
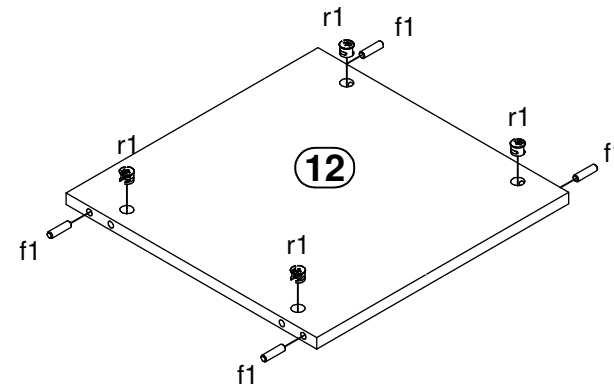
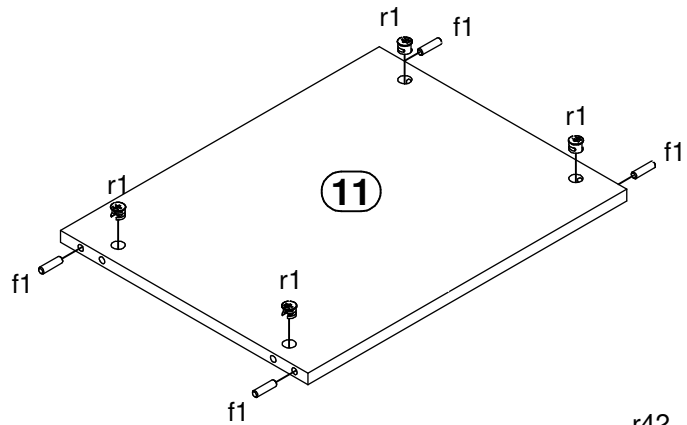


A	B	C (mm)			D
1	S617-0006	722	496	16	2/2
2	S617-0007	140	496	16	2/2
3	S617-0105	1346	396	16	1/2
4	S617-1009	484	255	15	1/2
5	S617-1010	1335	395	15	1/2
6	S617-1011	1335	375	15	1/2
7	S617-1012	708	395	15	1/2
8	S617-1013	143	395	15	1/2
9	S617-2005	901	415	18	2/2
10	S617-2006	901	395	15	2/2
11	S617-3001	477	370	15	2/2
12	S617-3002	377	375	15	2/2
13	S617-3003	476	355	15	2/2
14	S617-3004	376	355	15	2/2
15	S617-4001	822	90	15	2/2
16	S617-4002	305	90	15	2/2
17	S617-5003	469	355	4	2/2
18	S617-5004	532	471	4	2/2
19	S617-5005	532	160	4	2/2
20	S617-9003	1345	389	2,5	1/2
21	S617-9302	1345	489	2,5	1/2

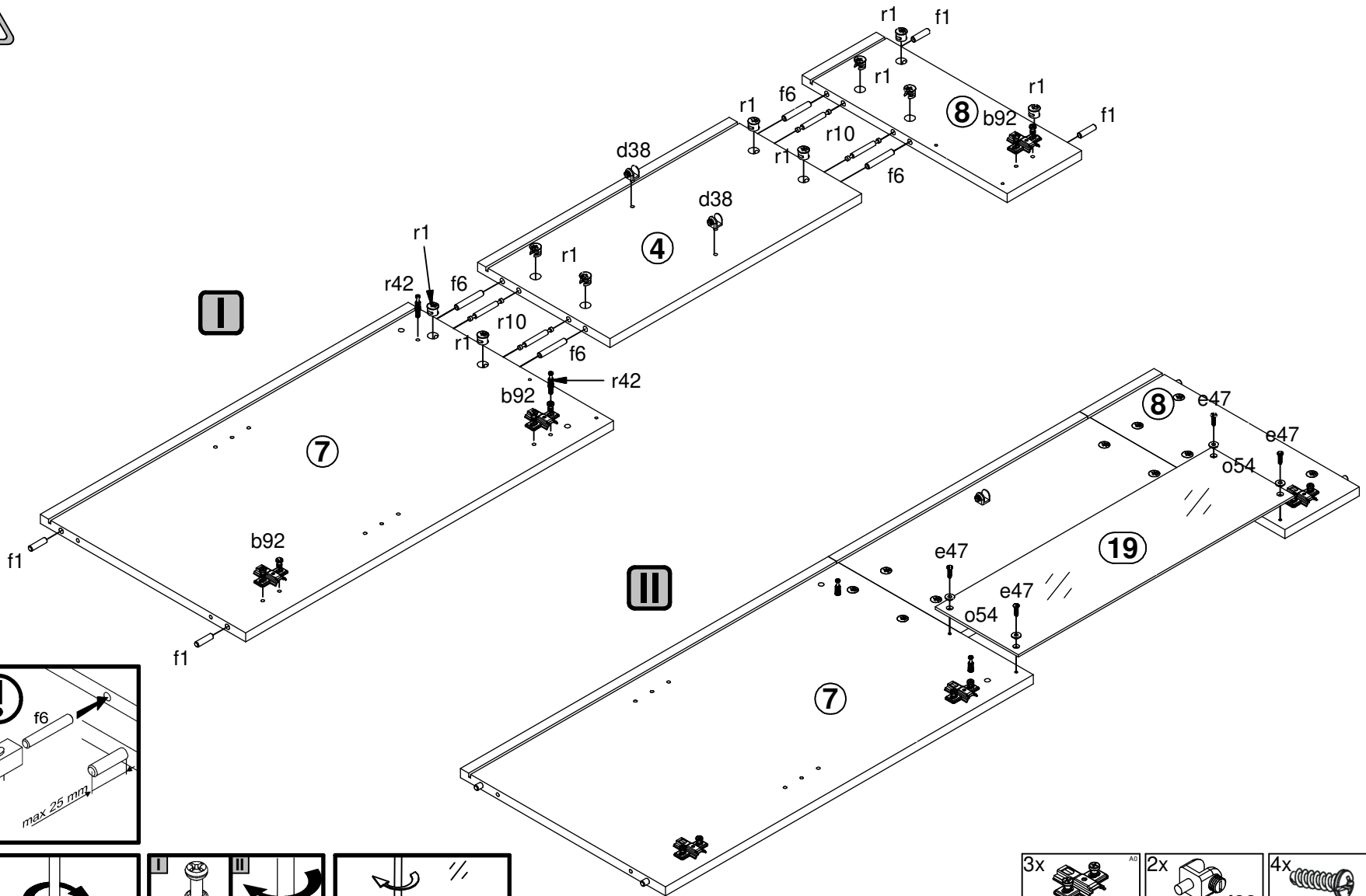
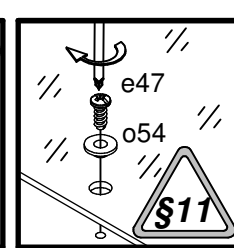
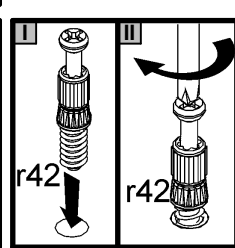
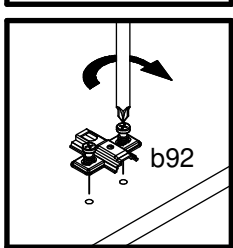
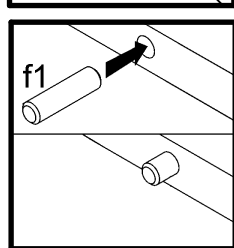
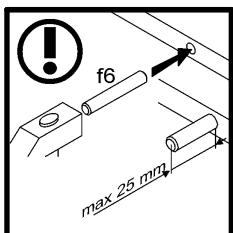
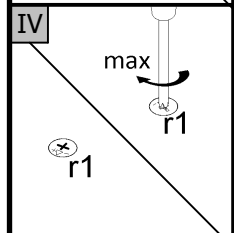
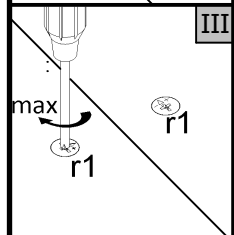
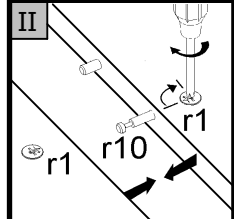
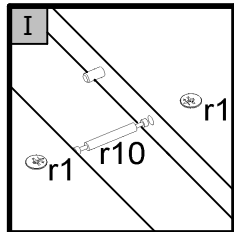











6x <b>a204</b> Ø35	6x <b>b92</b> Ø5x17 mm	2x <b>c491</b> Ø5x17 mm	12x <b>d1</b> Ø5x17 mm	<b>cm</b> 0 1 2 3 4 5 6 7 8 9 10				4x <b>d38</b> Ø7x50 mm	6x <b>e1</b> Ø7x50 mm	12x <b>e47</b> Ø5x16 mm	<b>D</b> 2/2	
28x <b>f1</b> Ø8x30 mm	1x <b>f35</b> Ø10x50 mm	4x <b>f6</b> Ø8x50 mm	4x <b>j30</b> M4x22 mm	6x <b>k1</b>	10x <b>l2</b>	7x <b>n108</b> 22x9,5x20,7 mm	1x <b>n14/2</b> 86x21x15/1,5	12x <b>o54</b> Ø5,3/Ø8,3x4,8 mm	1x <b>p17</b> Ø5x60 mm	14x <b>p51</b> Ø3,5x15 mm	7x <b>p55</b> Ø2,9x16 mm	30x <b>r1</b> Ø15x12 mm #16
4x <b>r10</b>	22x <b>r42</b> Ø20/11	14x <b>s68</b> Ø 20mm	1x <b>z1</b> 4 mm									

**1** 

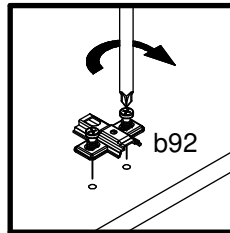
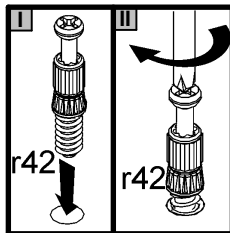
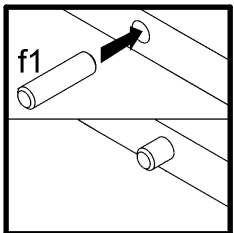
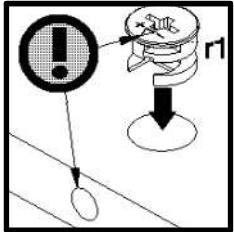
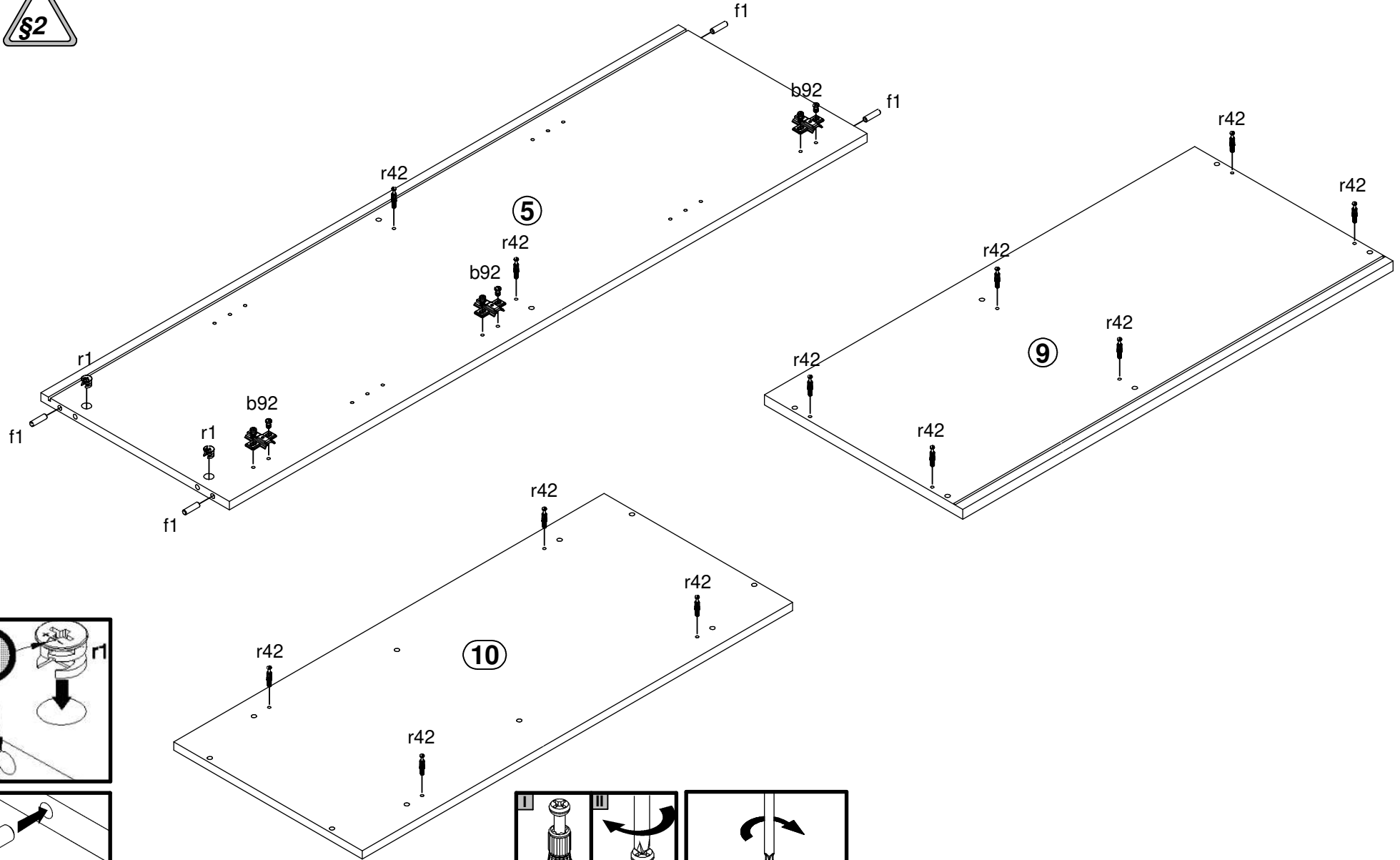



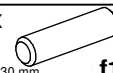

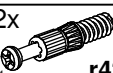
**2**  



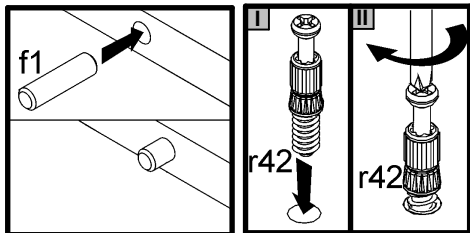
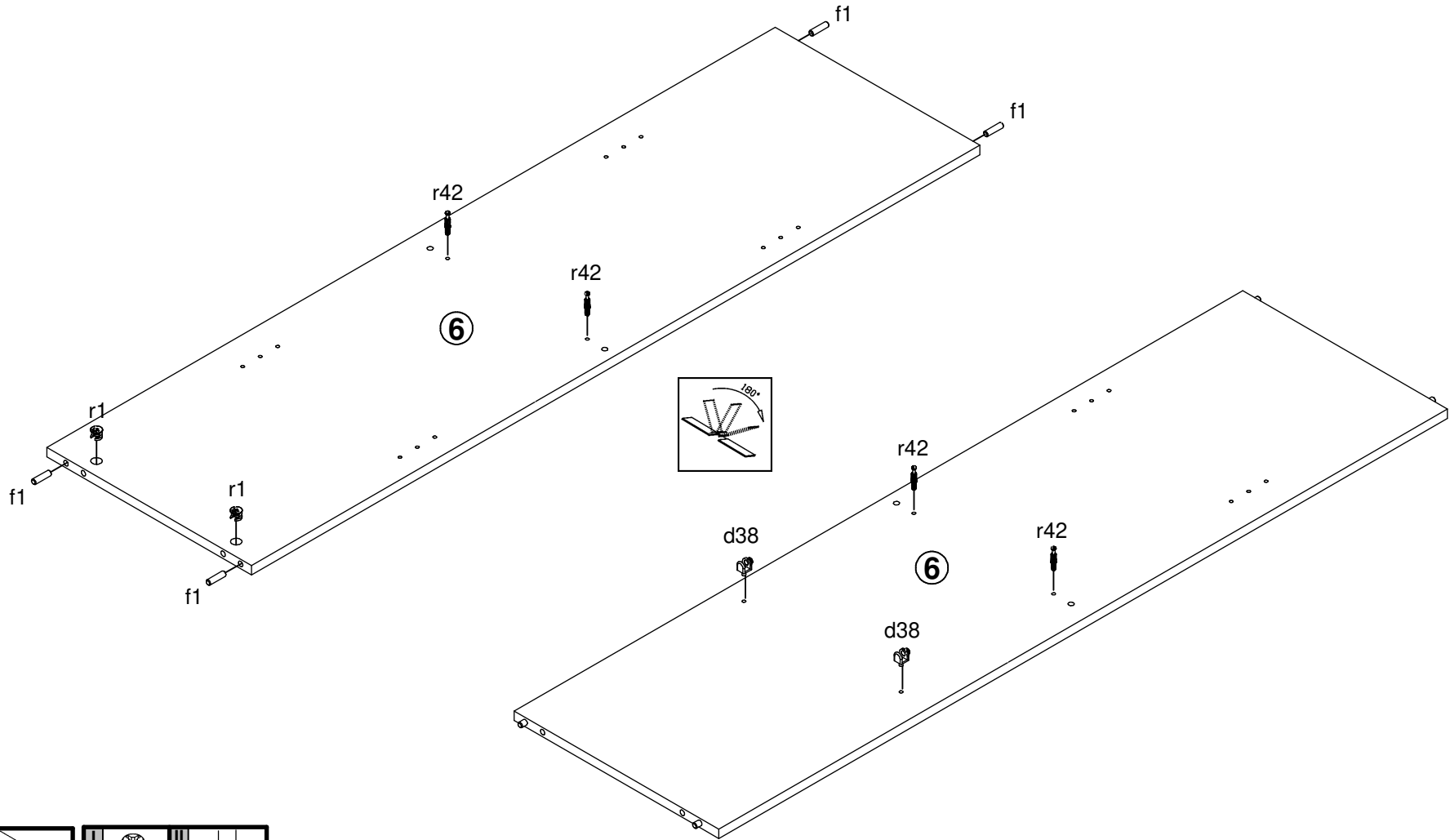
3x  <b>b92</b>	2x  <b>d38</b>	4x  <b>e47</b> Ø5x16 mm
4x  <b>f1</b> Ø8x30 mm	4x  <b>f6</b> Ø8x50 mm	4x  <b>o54</b> Ø5,3/Ø8,3x4,8 mm
10x  <b>r1</b> Ø15x12 mm #16	4x  <b>r10</b>	2x  <b>r42</b> 20/11



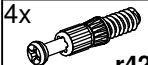
3 



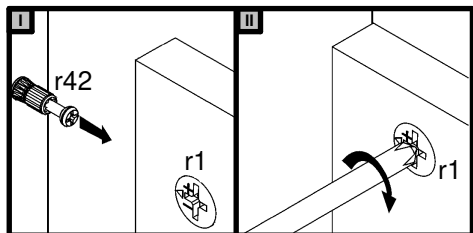
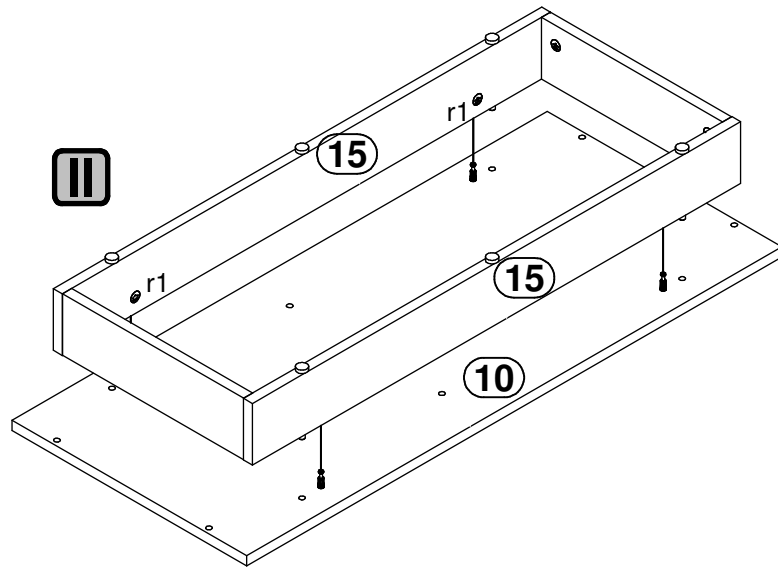
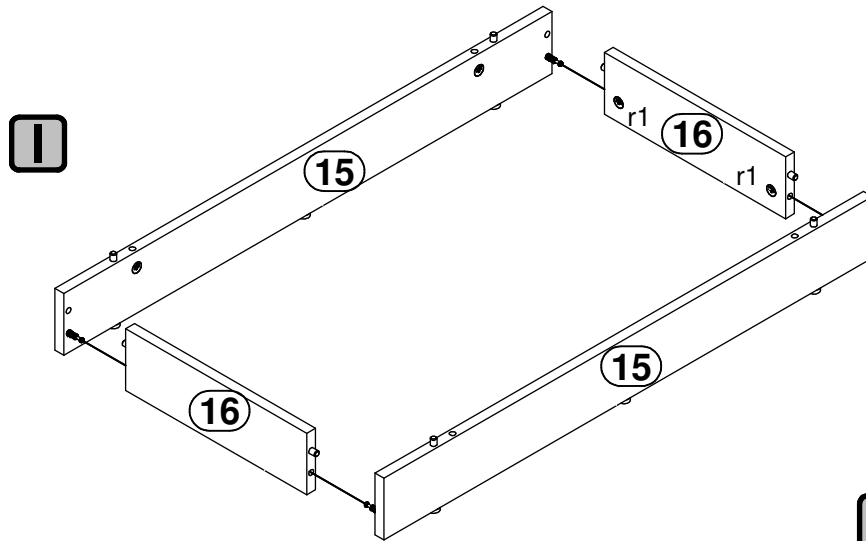
- |   |  |  |  |
|---|--|--|--|
| 3x  <b>b92</b> | 4x  <b>f1</b> | 2x  <b>r1</b> | 12x  <b>r42</b> |
|   | <small>Ø8x30 mm</small>  | <small>Ø15x12 mm #16</small>   | <small>20/11</small>   |

4 



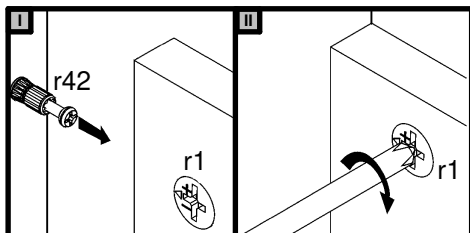
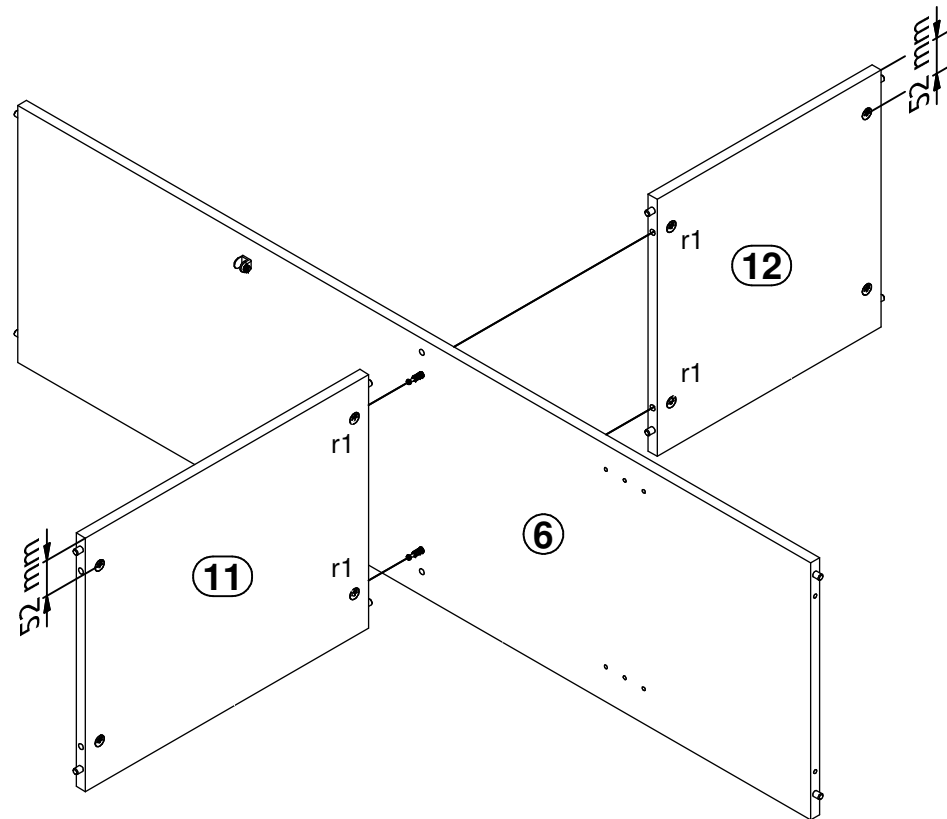
- |   |  |  |
|---|--|--|
| 2x  <b>d38</b> | 4x  <b>f1</b><br>Ø8x30 mm | 4x  <b>r42</b><br>20/11 |
|---|--|--|

**5** 

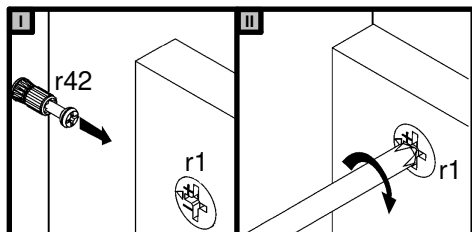
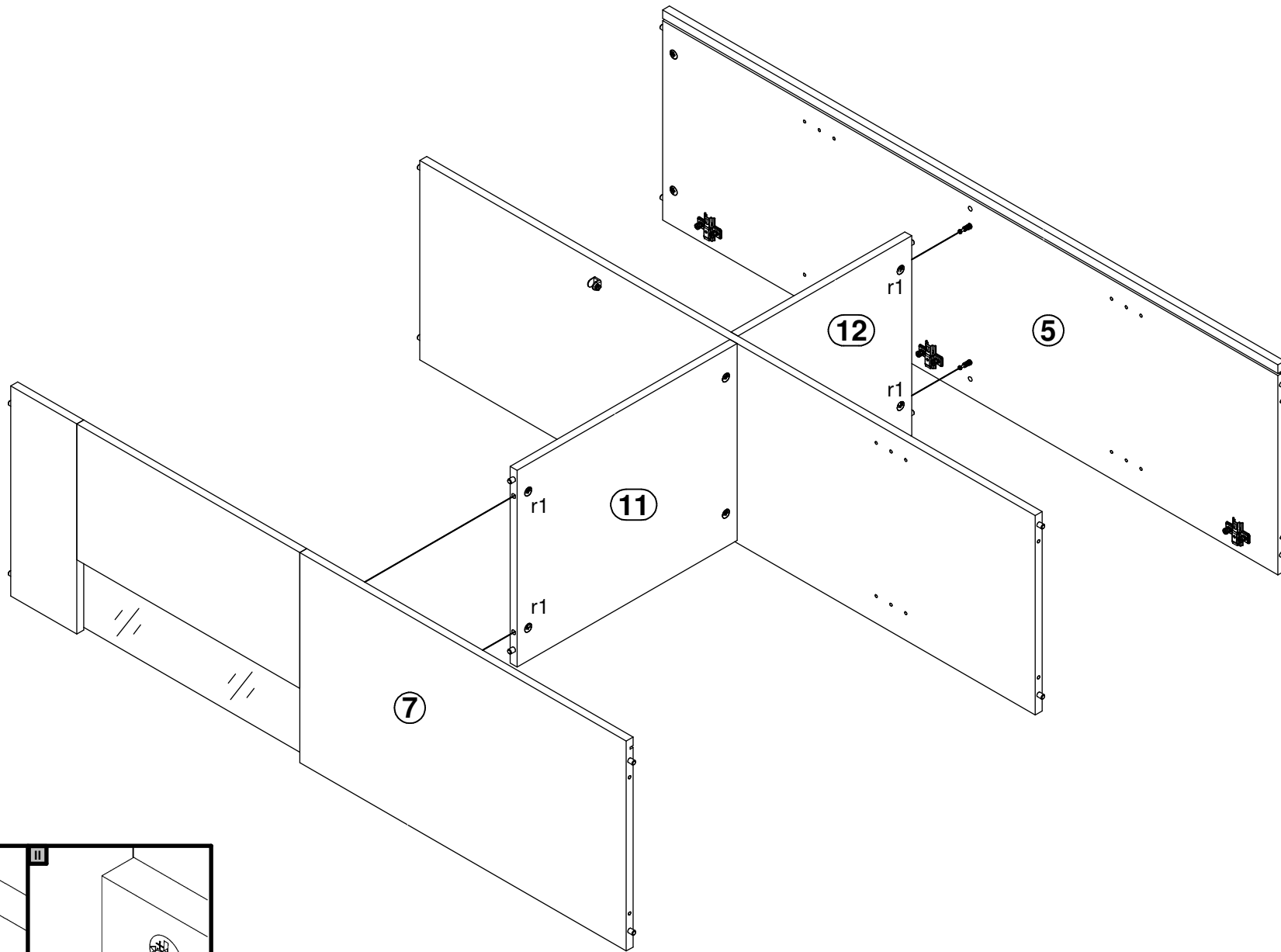




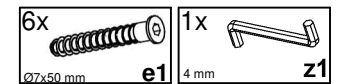
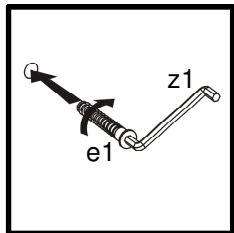
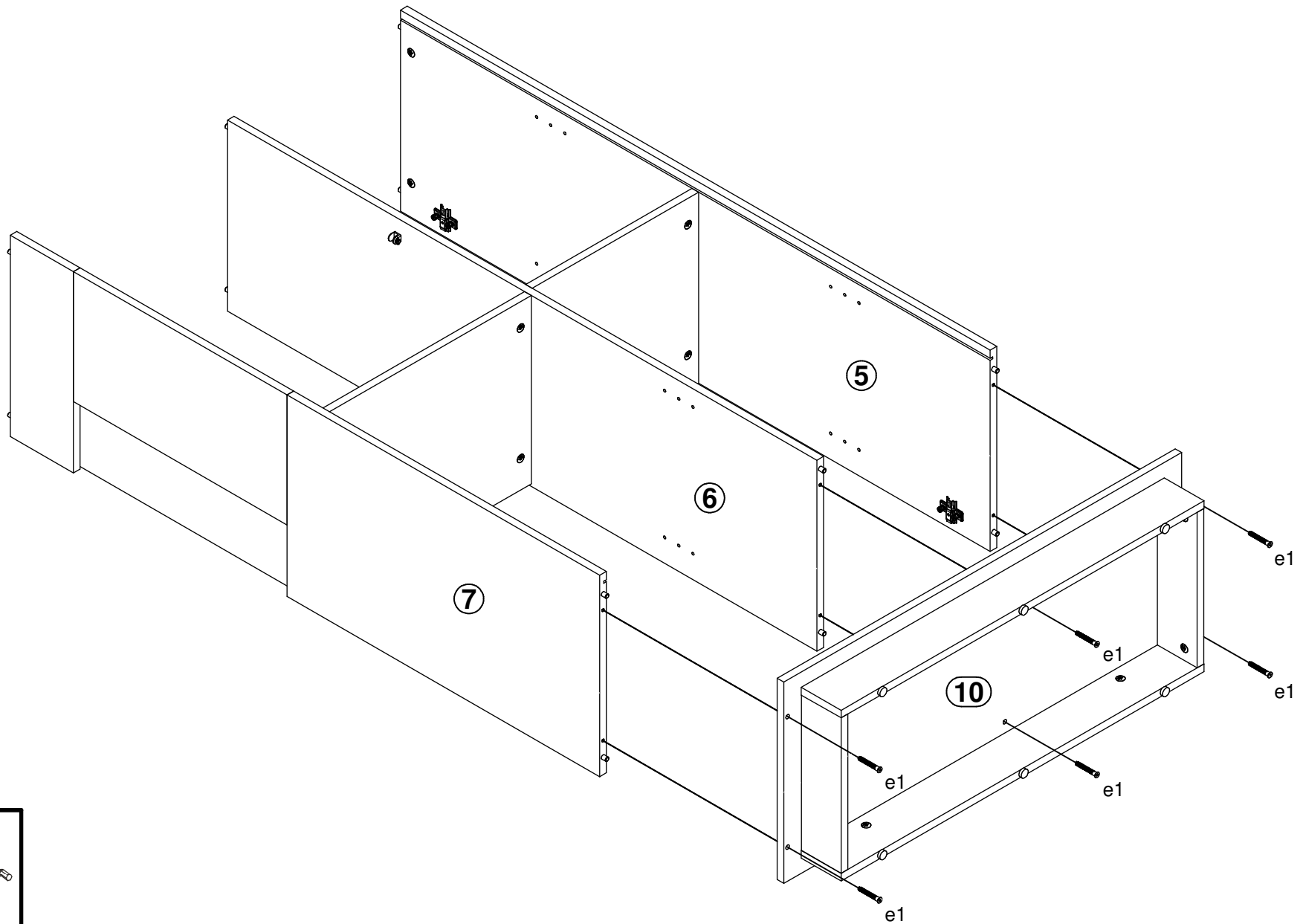
**6** 



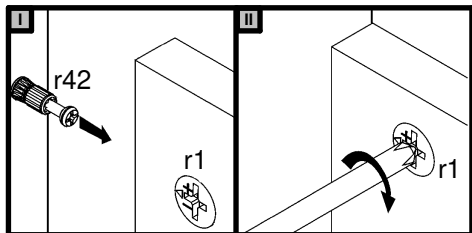
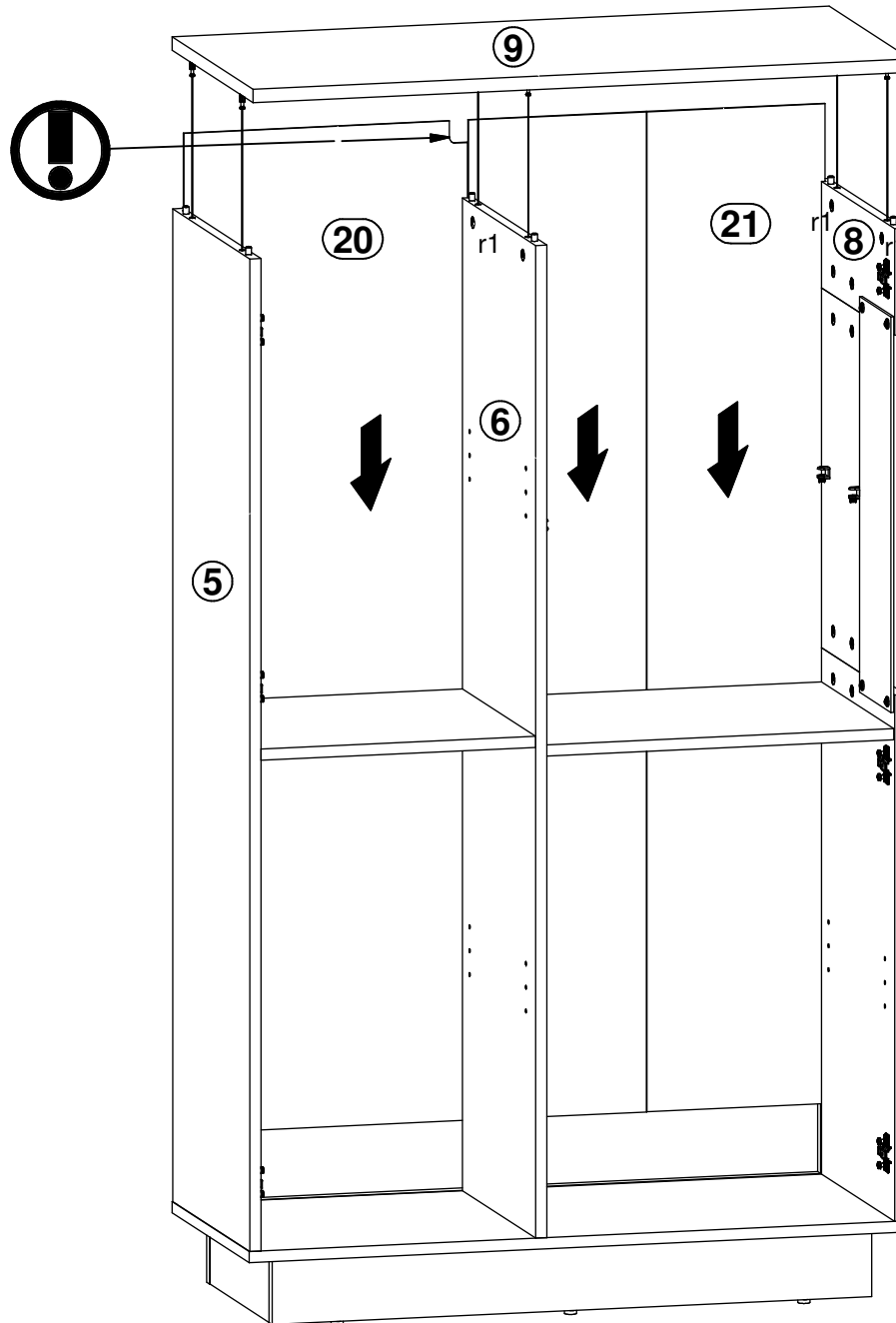
7 



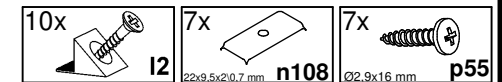
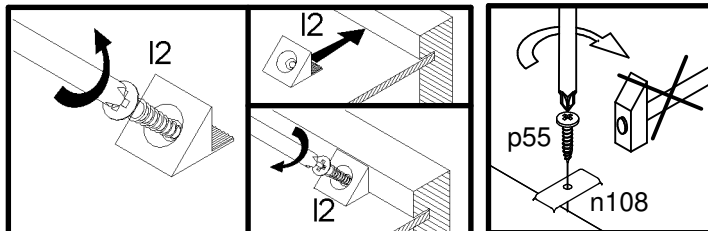
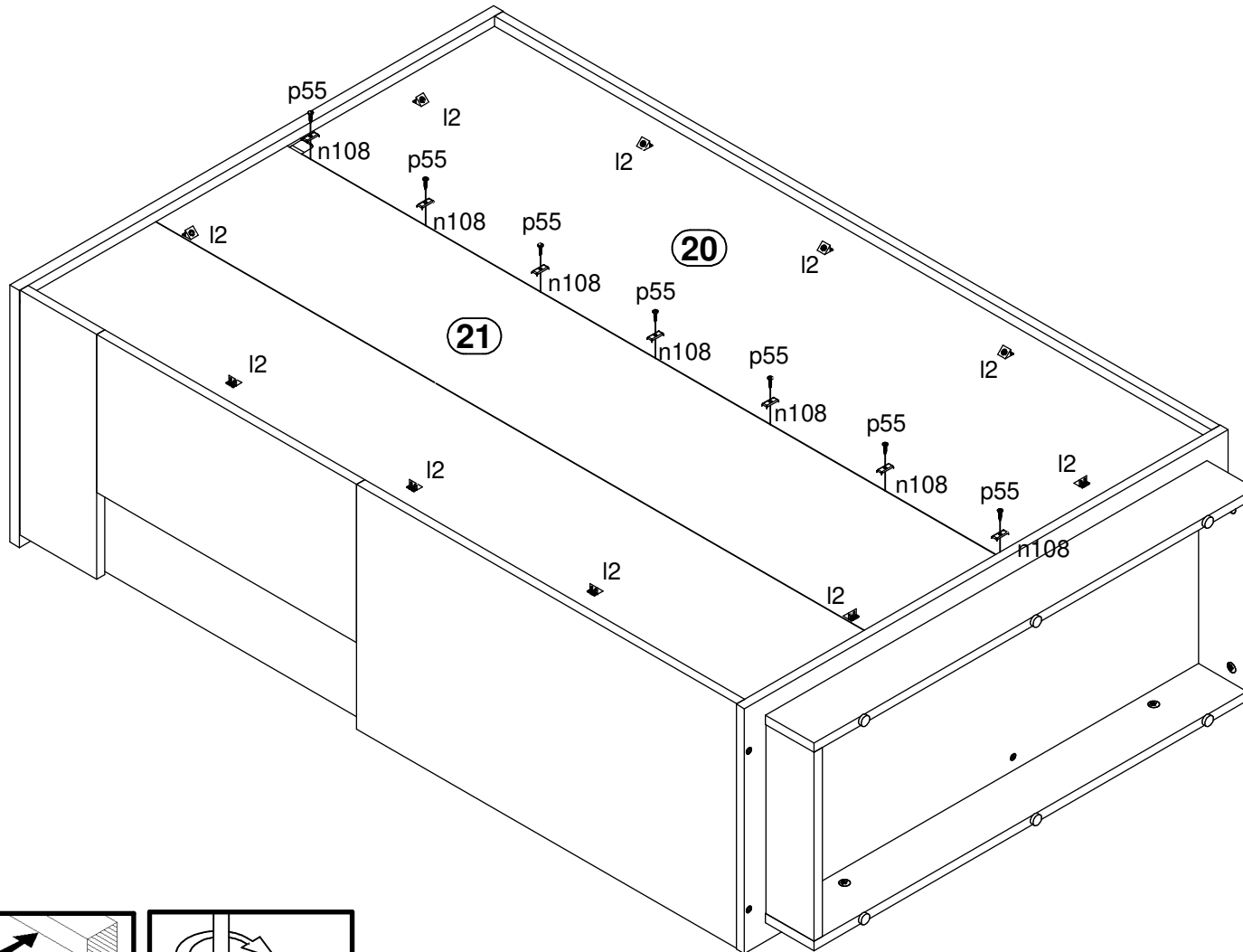
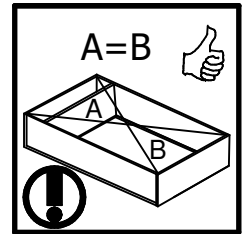
8 



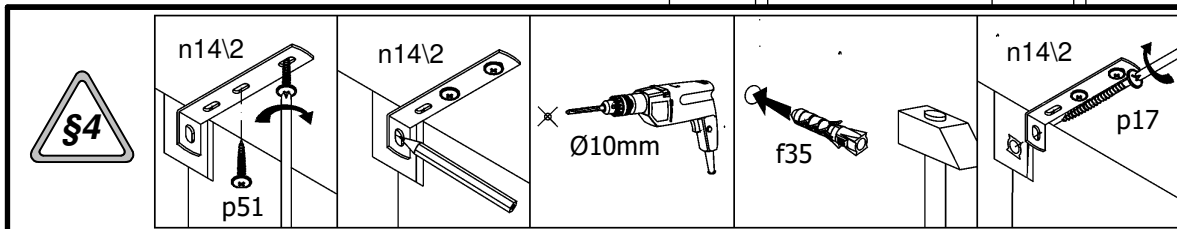
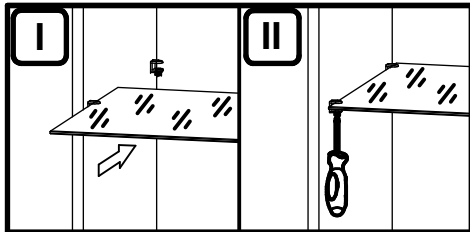
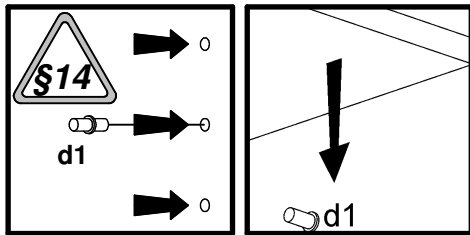
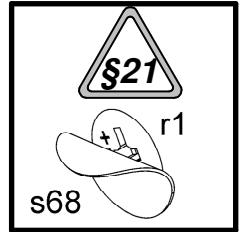
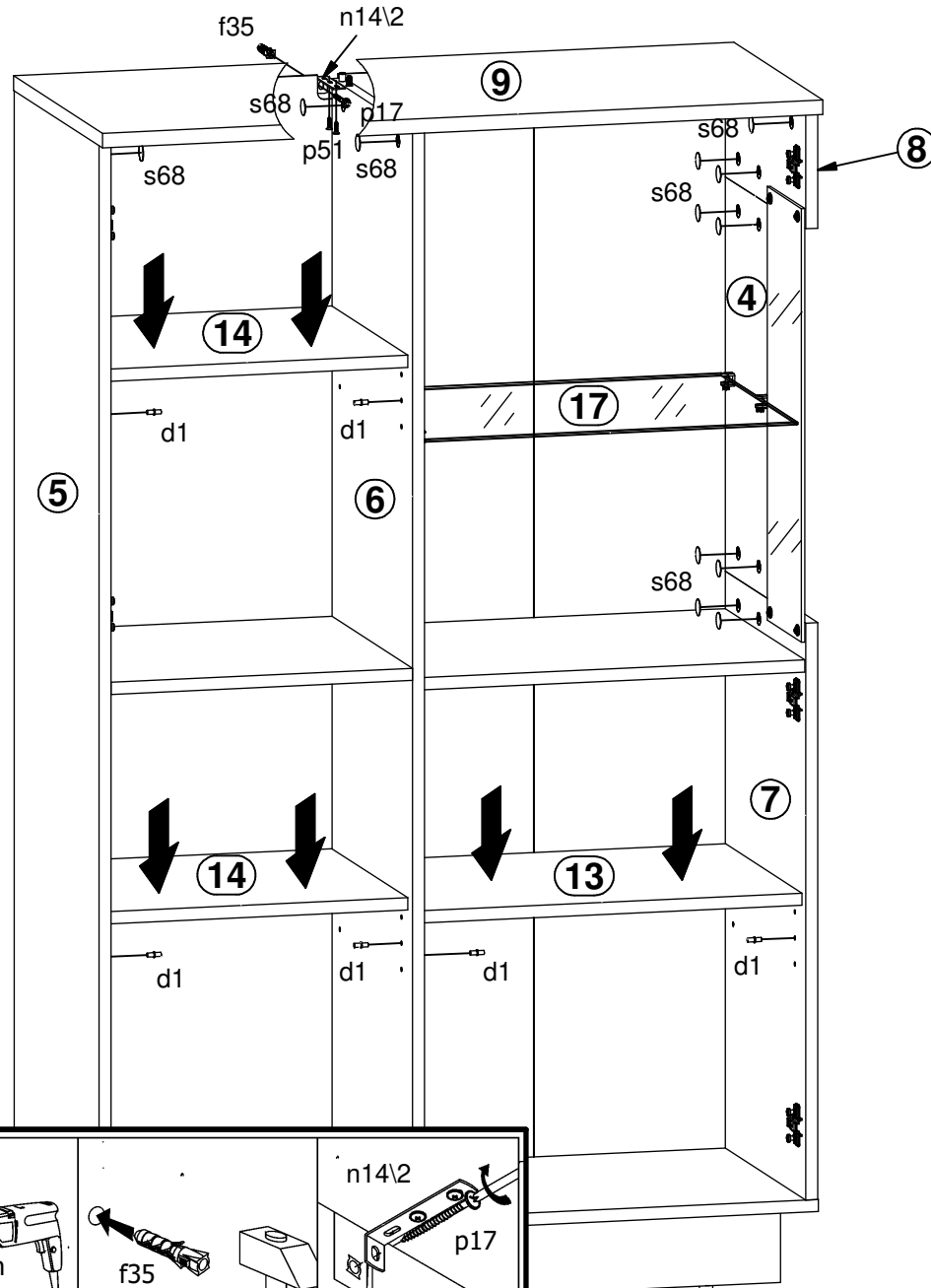
9 



10 

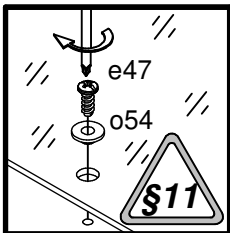
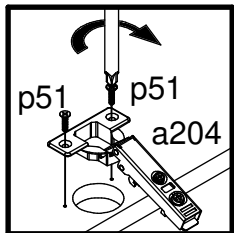
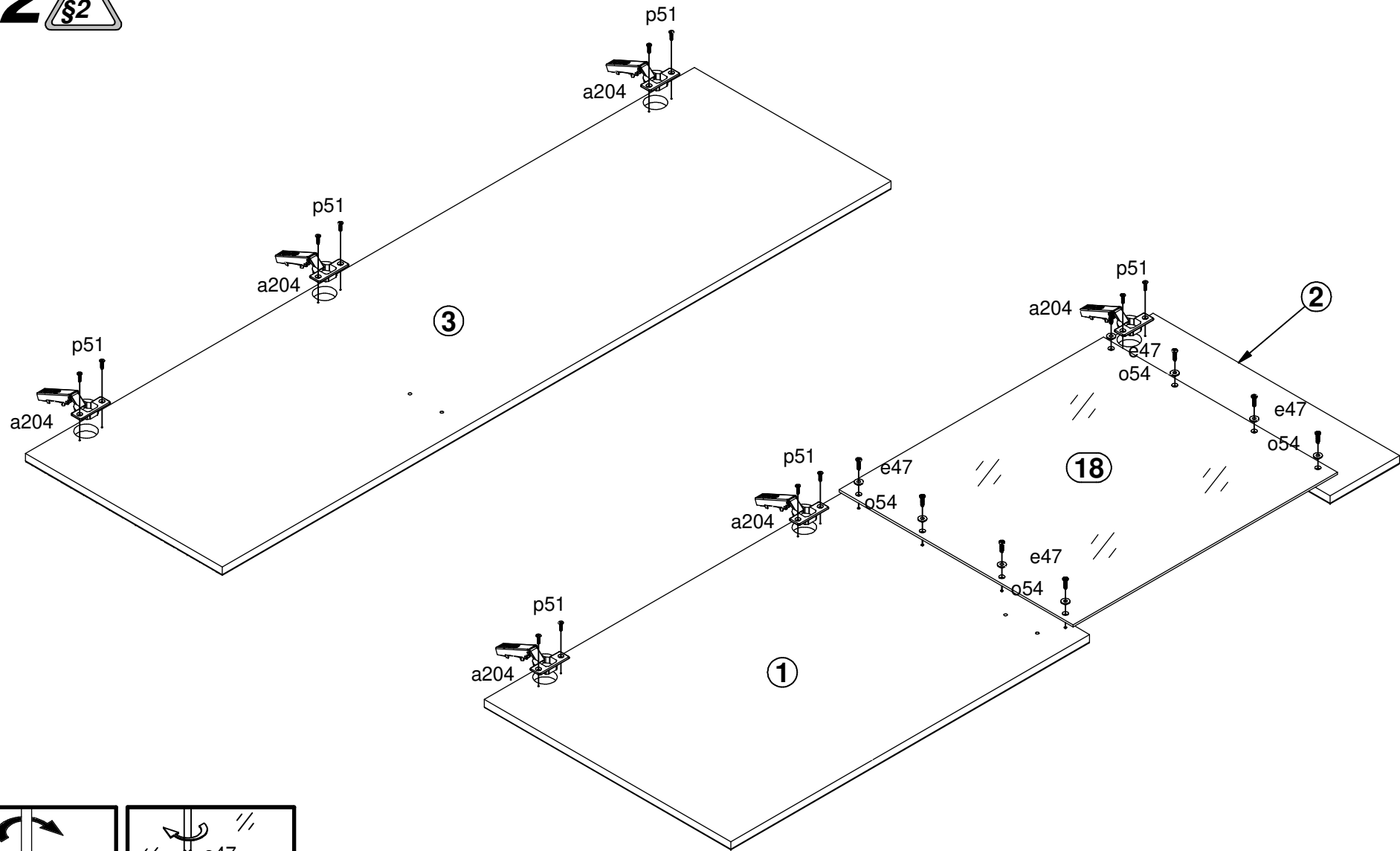





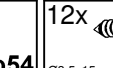
**11** 



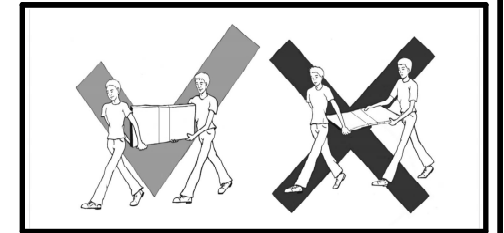
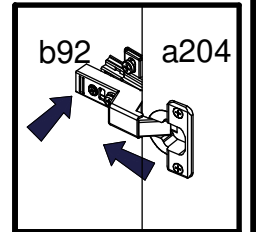
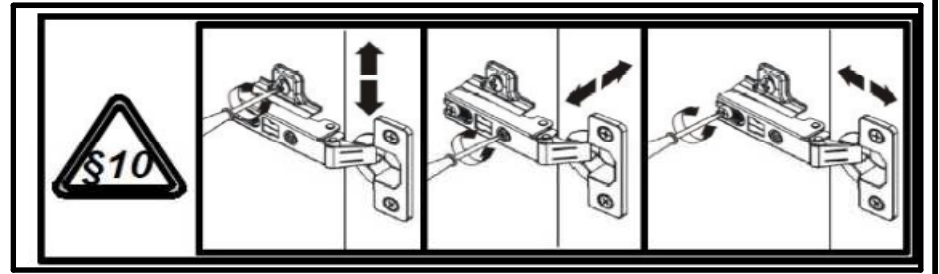
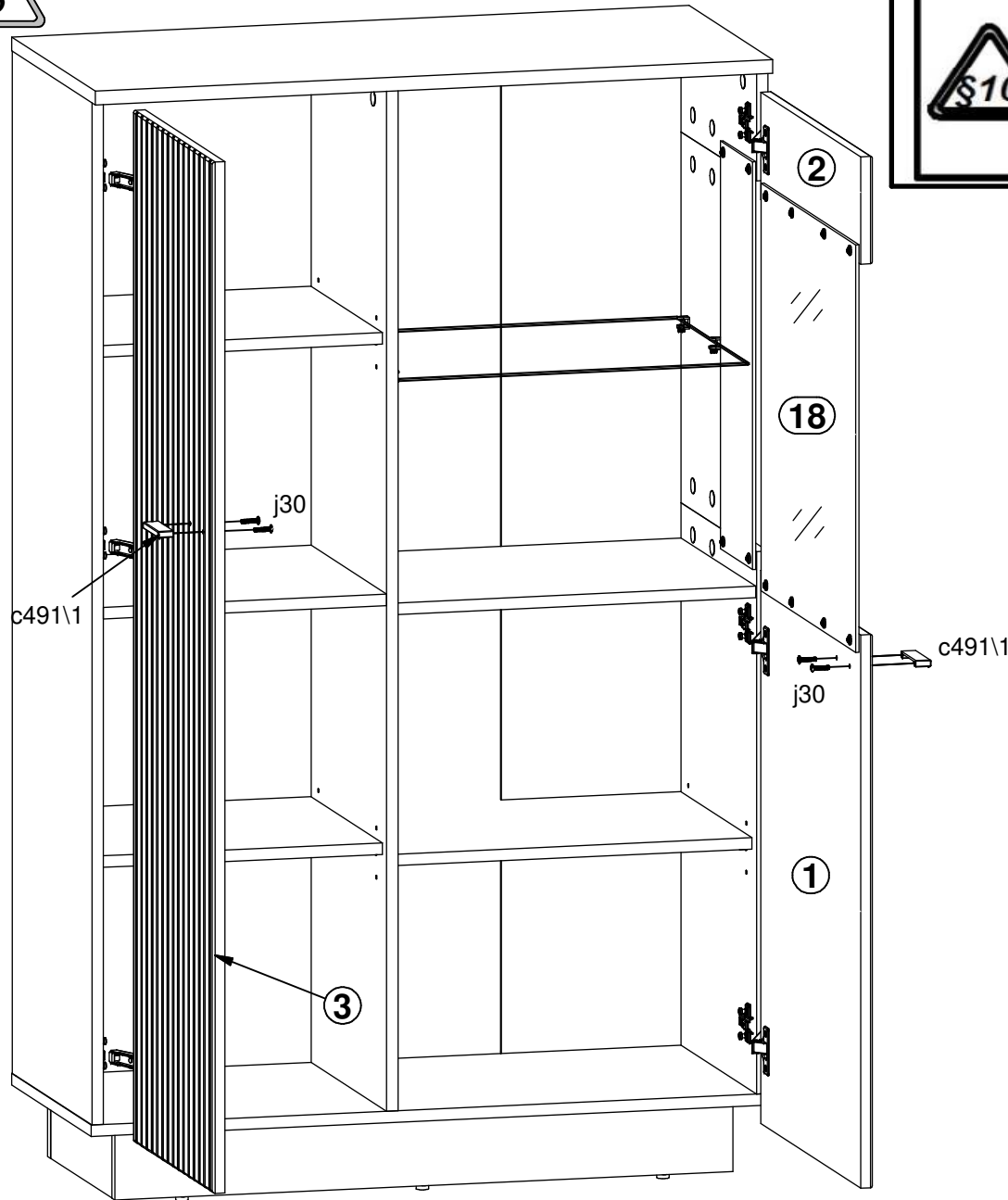
- |                       |                         |                             |
|-----------------------|-------------------------|-----------------------------|
| 12x<br>Ø5x17 mm<br>d1 | 1x<br>Ø10x50 mm<br>f35  | 1x<br>86x21x15/1.5<br>n14/2 |
| 1x<br>Ø5x60 mm<br>p17 | 2x<br>Ø3.5x15 mm<br>p51 | 14x<br>Ø 20mm<br>s68        |



12 



6x  a204	8x  e47	8x  o54	12x  p51
---	--	--	---

# 13



- 2x  **c491\1**
- 4x  **j30**  
M4x22 mm



14

