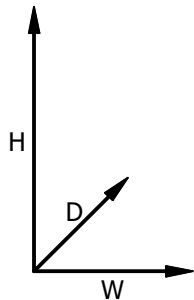
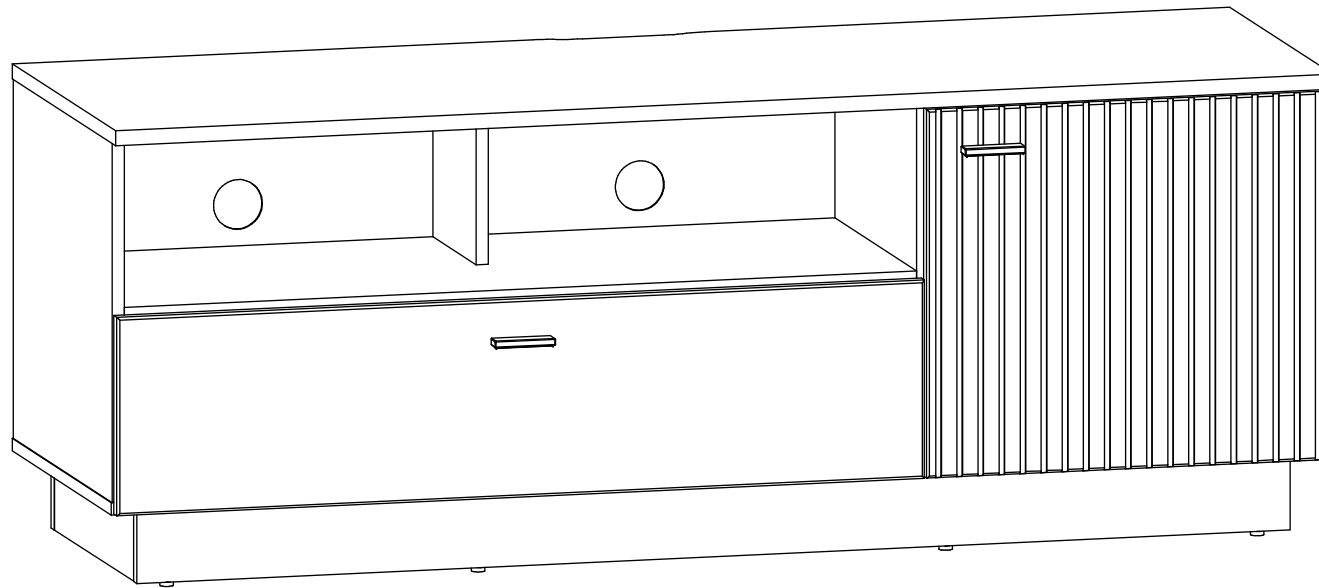
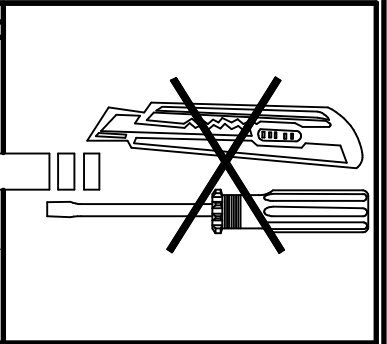
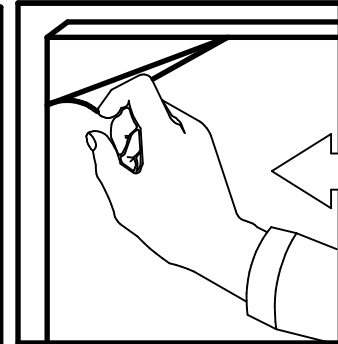
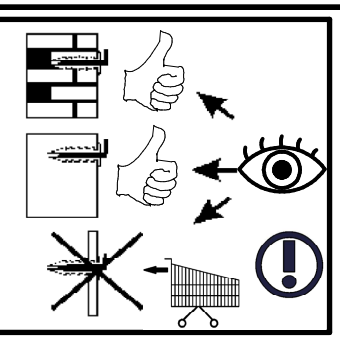
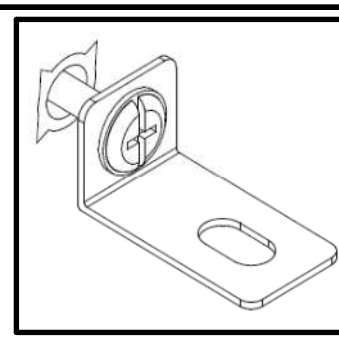
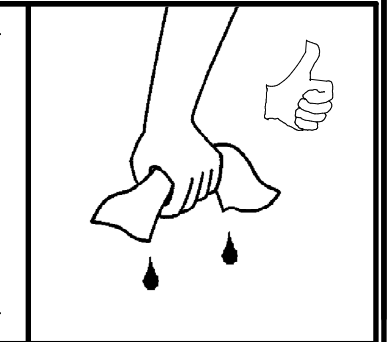
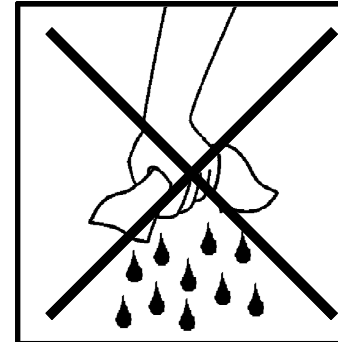
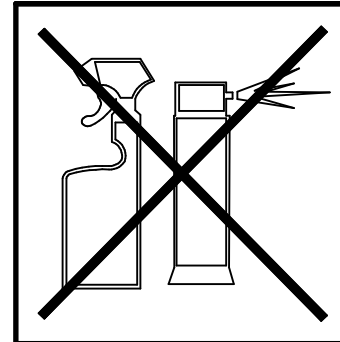
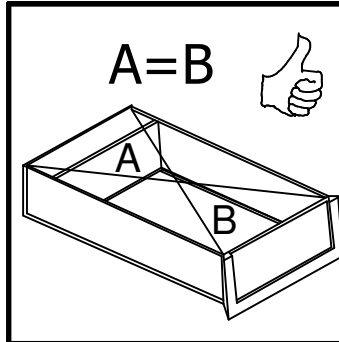
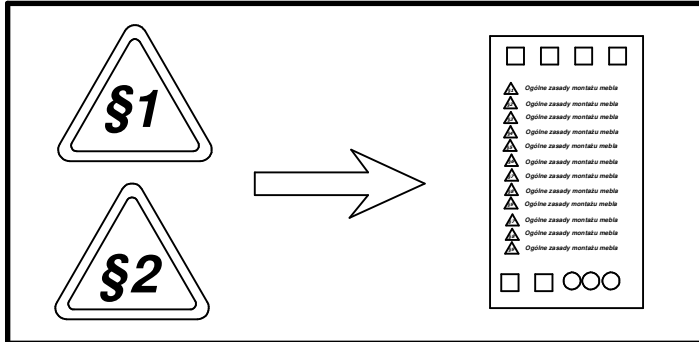
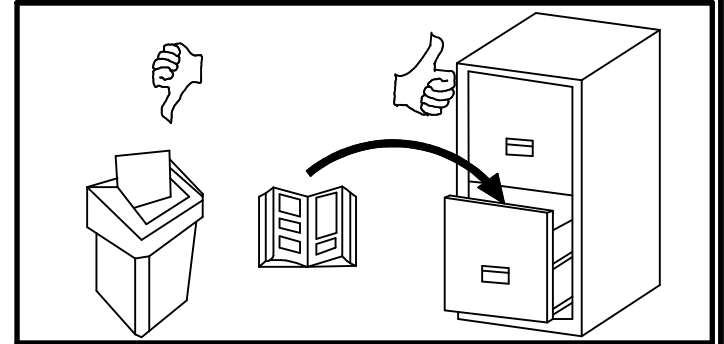
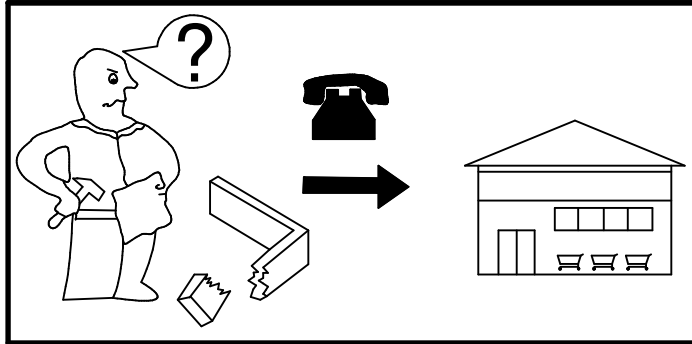
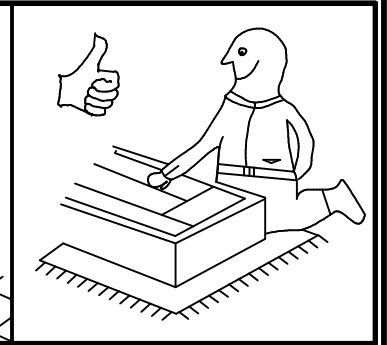
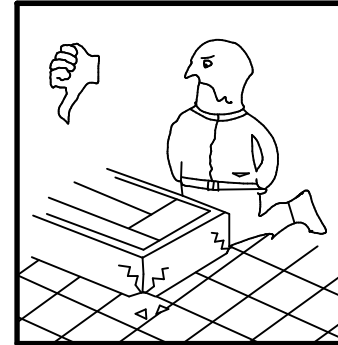
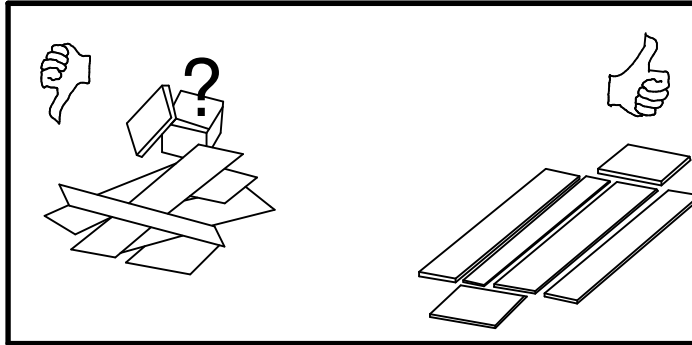
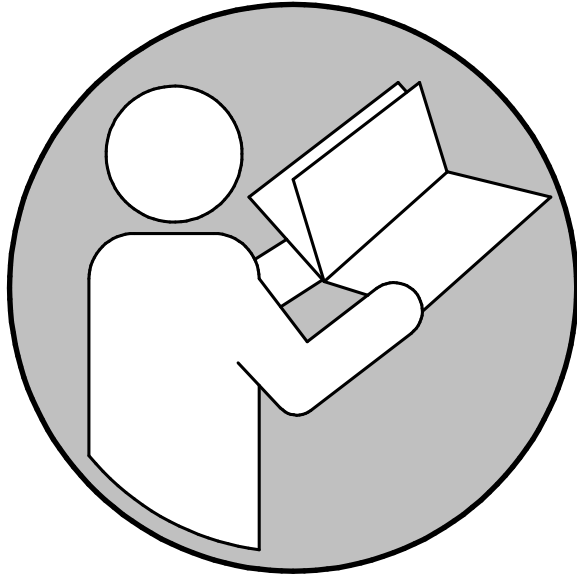


# ZENDA

# S617-RTV1D1B

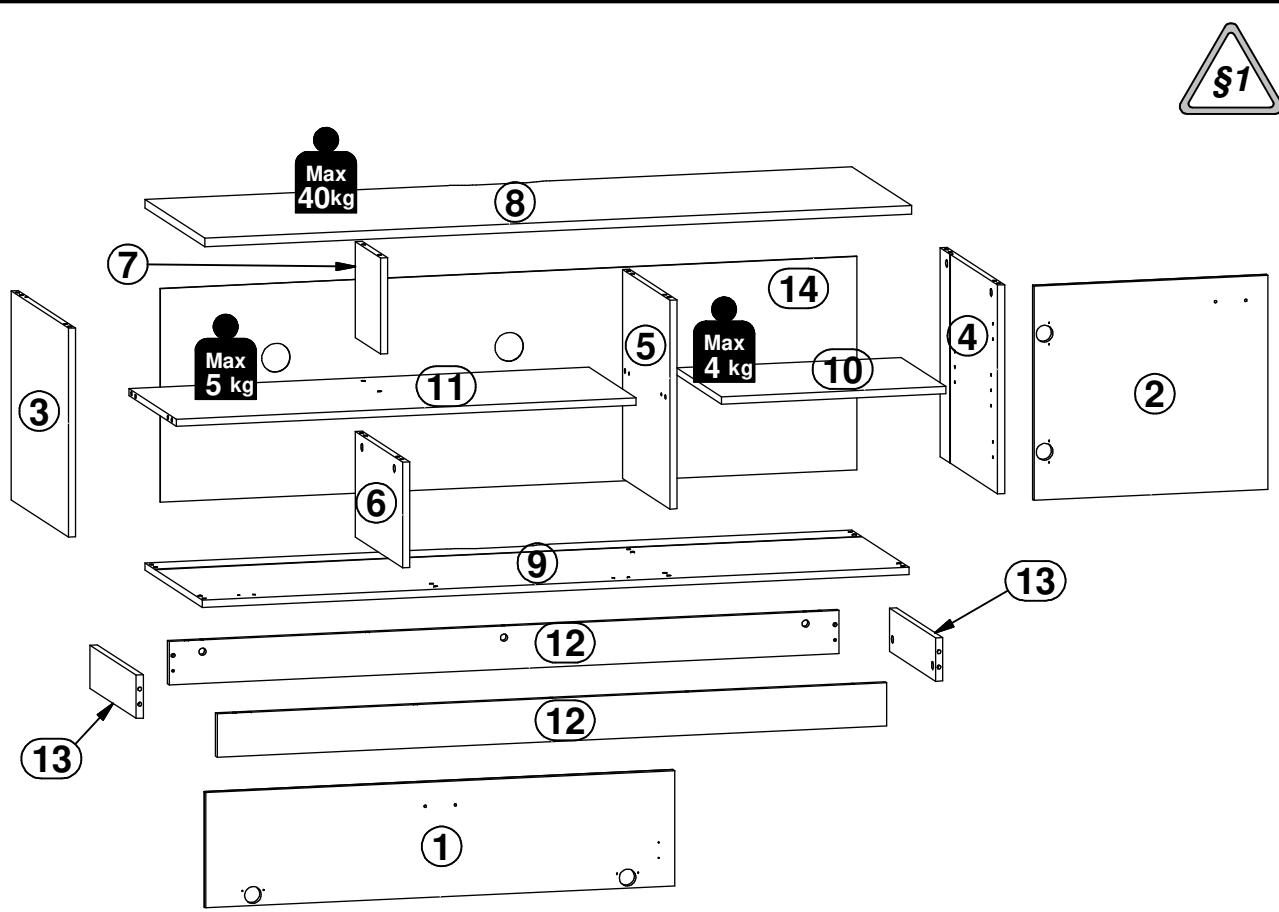


H - 563 mm  
W - 1500 mm  
D - 475 mm

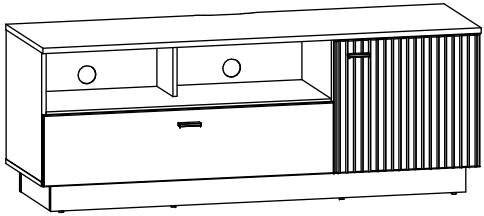


Ø10 mm

45 min

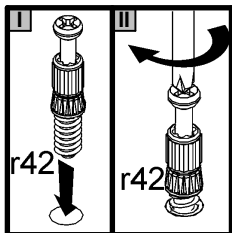
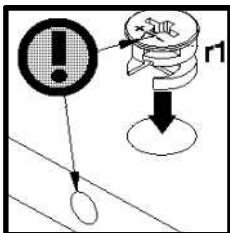
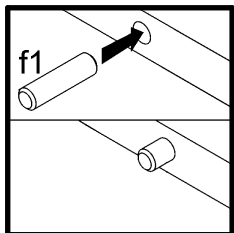
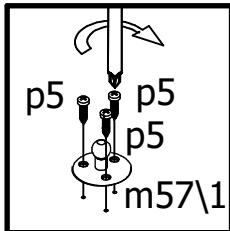
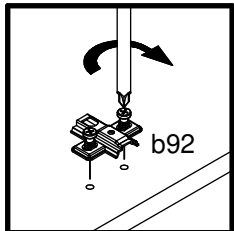
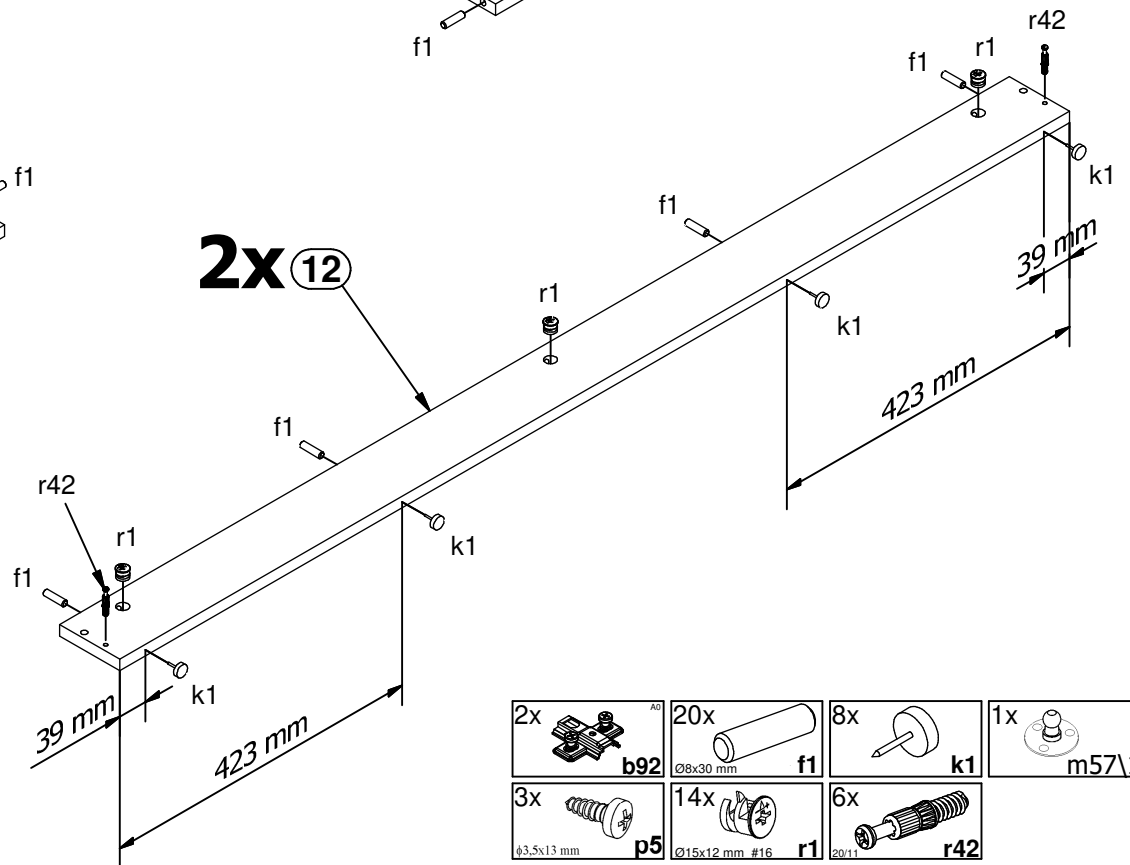
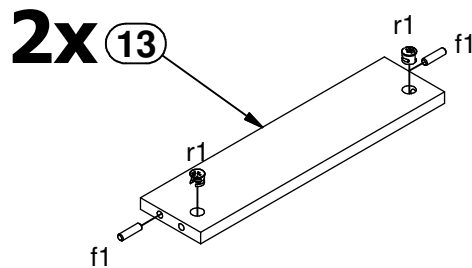
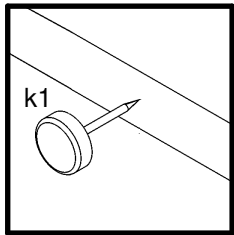
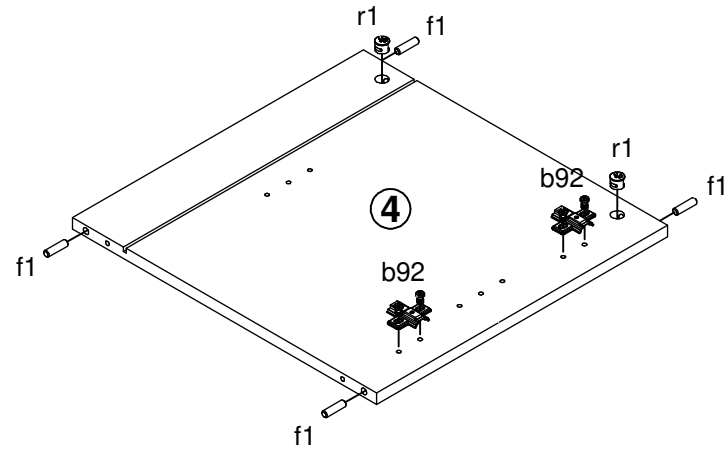
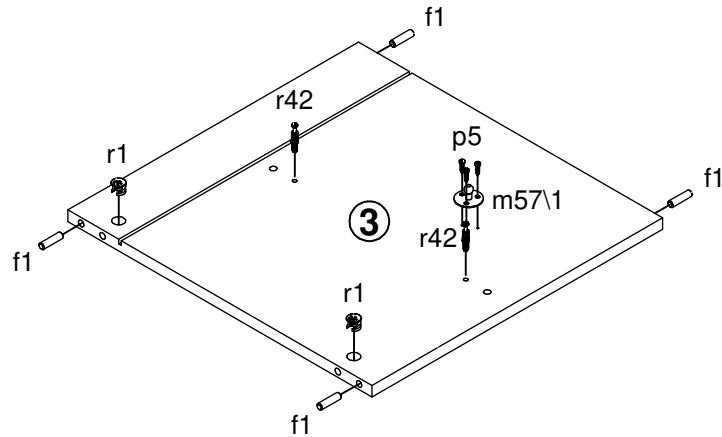



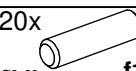


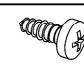

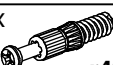
A	B	C (mm)			D
1	S617-0020	995	240	16	2/2
2	S617-0121	446	496	16	1/2
3	S617-1030	435	455	15	1/2
4	S617-1031	435	455	15	1/2
5	S617-1032	435	375	15	1/2
6	S617-1033	220	375	15	1/2
7	S617-1034	200	200	15	1/2
8	S617-2015	1500	475	18	2/2
9	S617-2016	1500	455	15	2/2
10	S617-3003	476	355	15	1/2
11	S617-3015	976	375	15	1/2
12	S617-4005	1421	90	15	2/2
13	S617-4008	365	90	15	1/2
14	S617-9011	1478	445	2,5	2/2



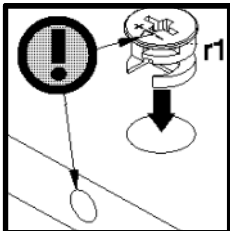
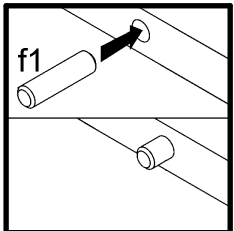
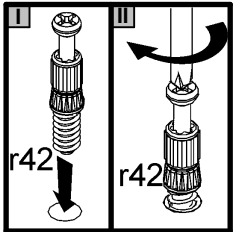
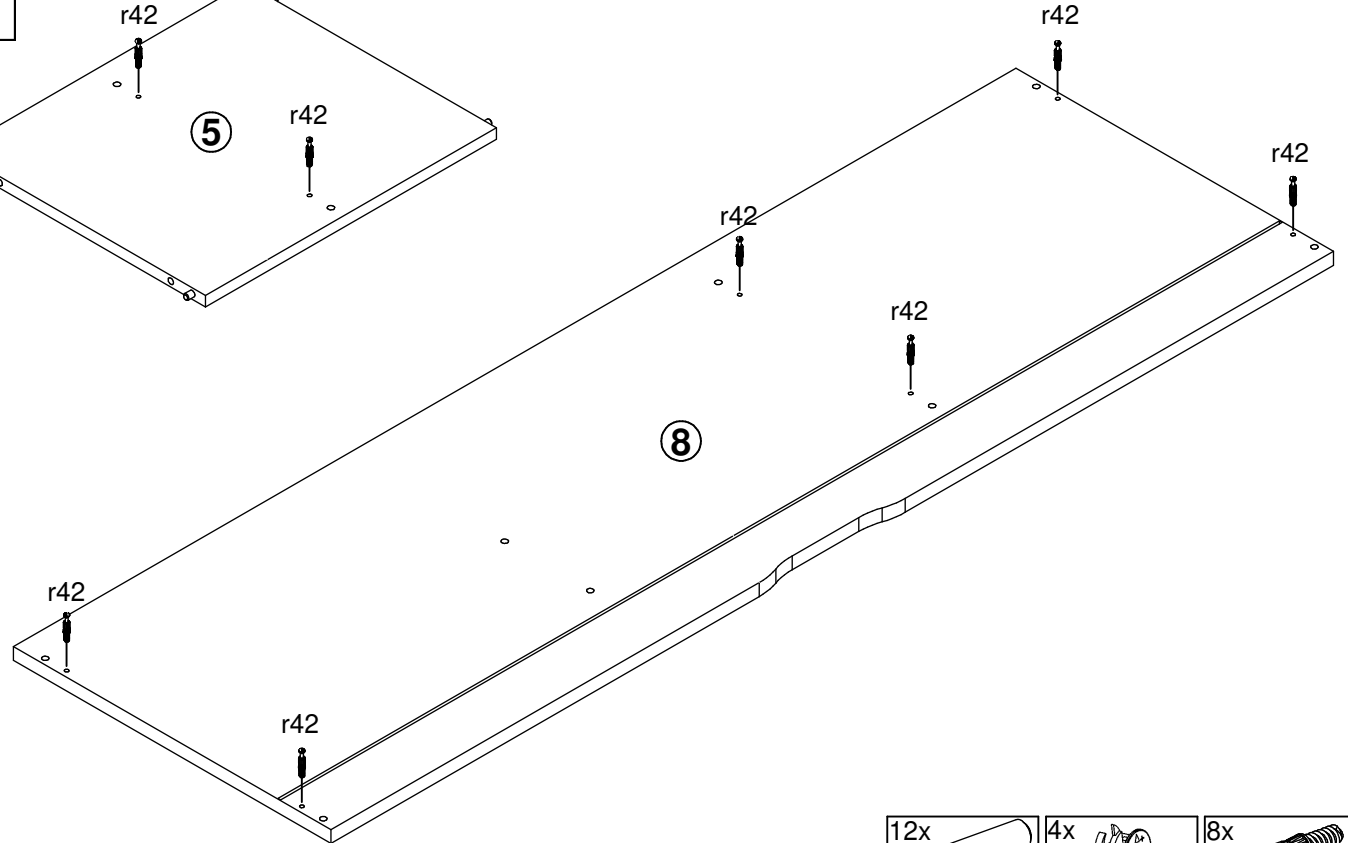
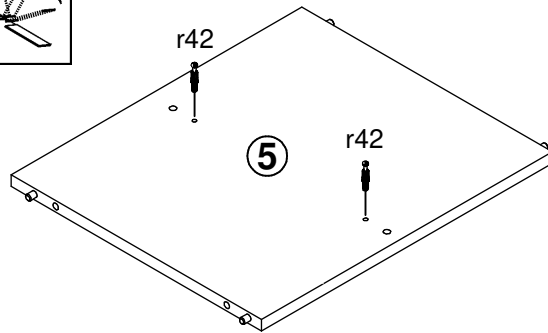
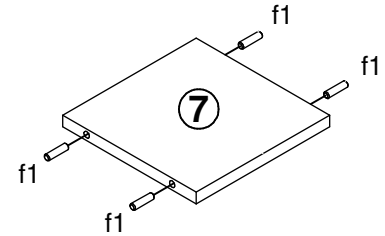
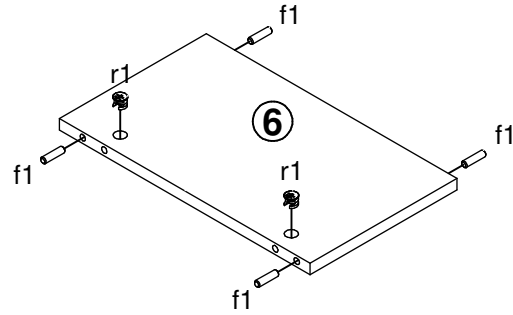
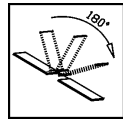
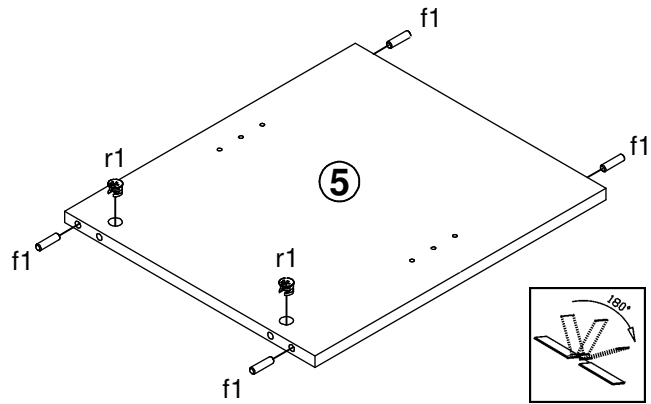
2x  a204	2x  a211	4x  b92	2x  c491	cm 0 1 2 3 4 5 6 7 8 9 10	4x  d1	8x  e1	36x  f1	D 1/2				
2x  f35	4x  j30	8x  k1	8x  l2	1x  m56	1x  m57	1x  m57	2x  n211	2x  p17	5x  p5	8x  p51	22x  r1	22x  r42
6x  s68	1x  z1											

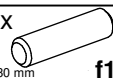

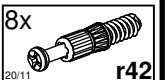
**1** 



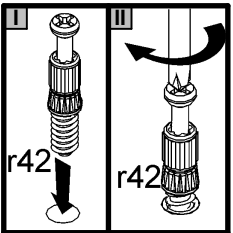
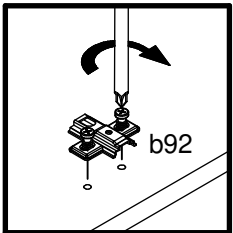
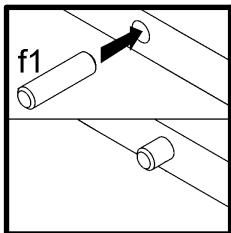
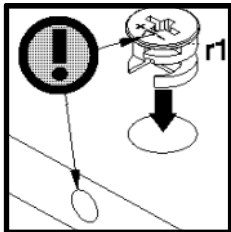
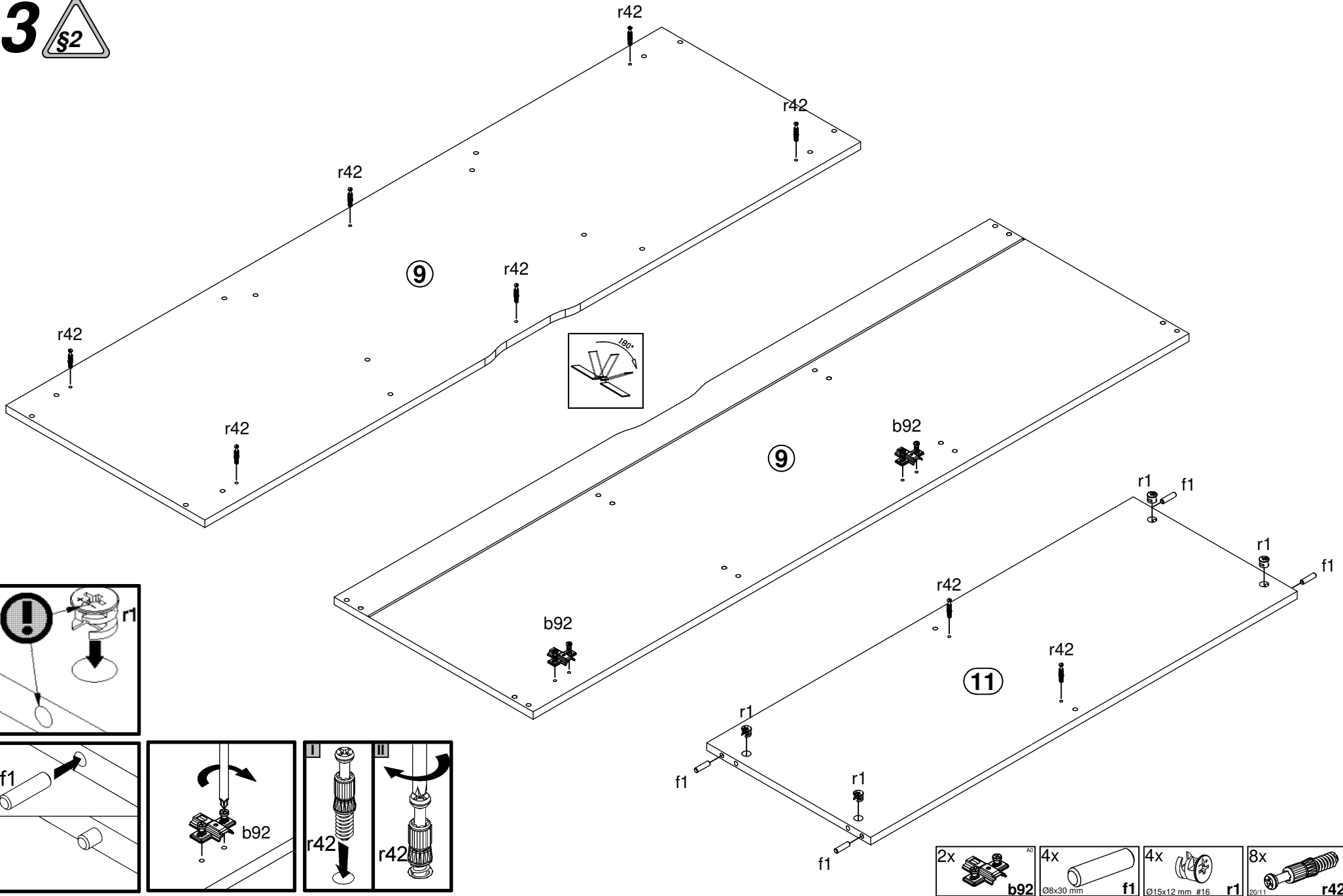
2x 	20x  $\varnothing 8 \times 30$ mm	8x 	1x 
3x  $\varnothing 3.5 \times 13$ mm	14x  $\varnothing 15 \times 12$ mm #16	6x 	


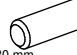

2 



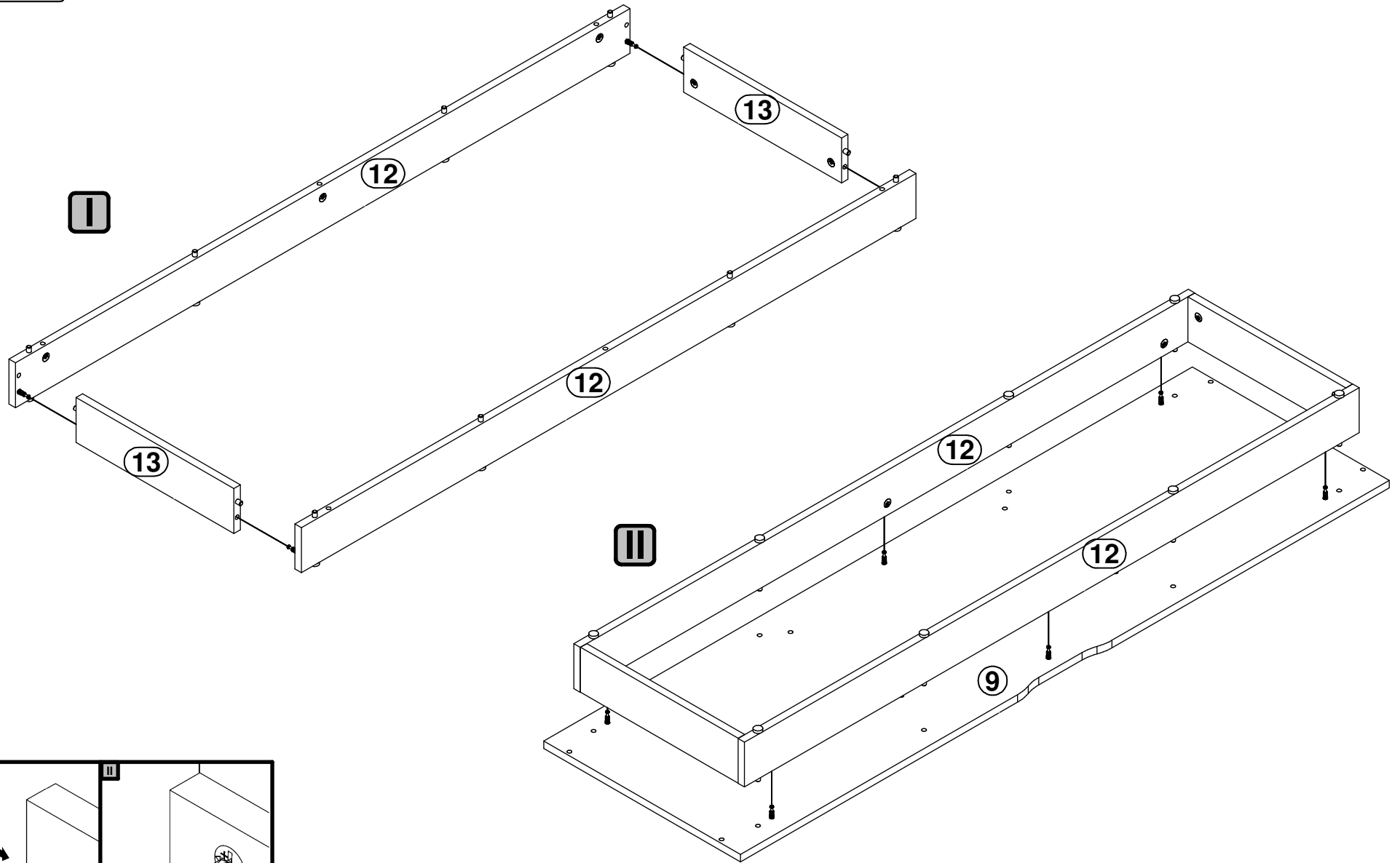
- 12x  f1 Ø8x30 mm
- 4x  r1 Ø15x12 mm #16
- 8x  r42 20/11

**3** 

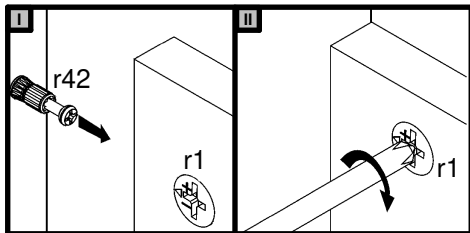
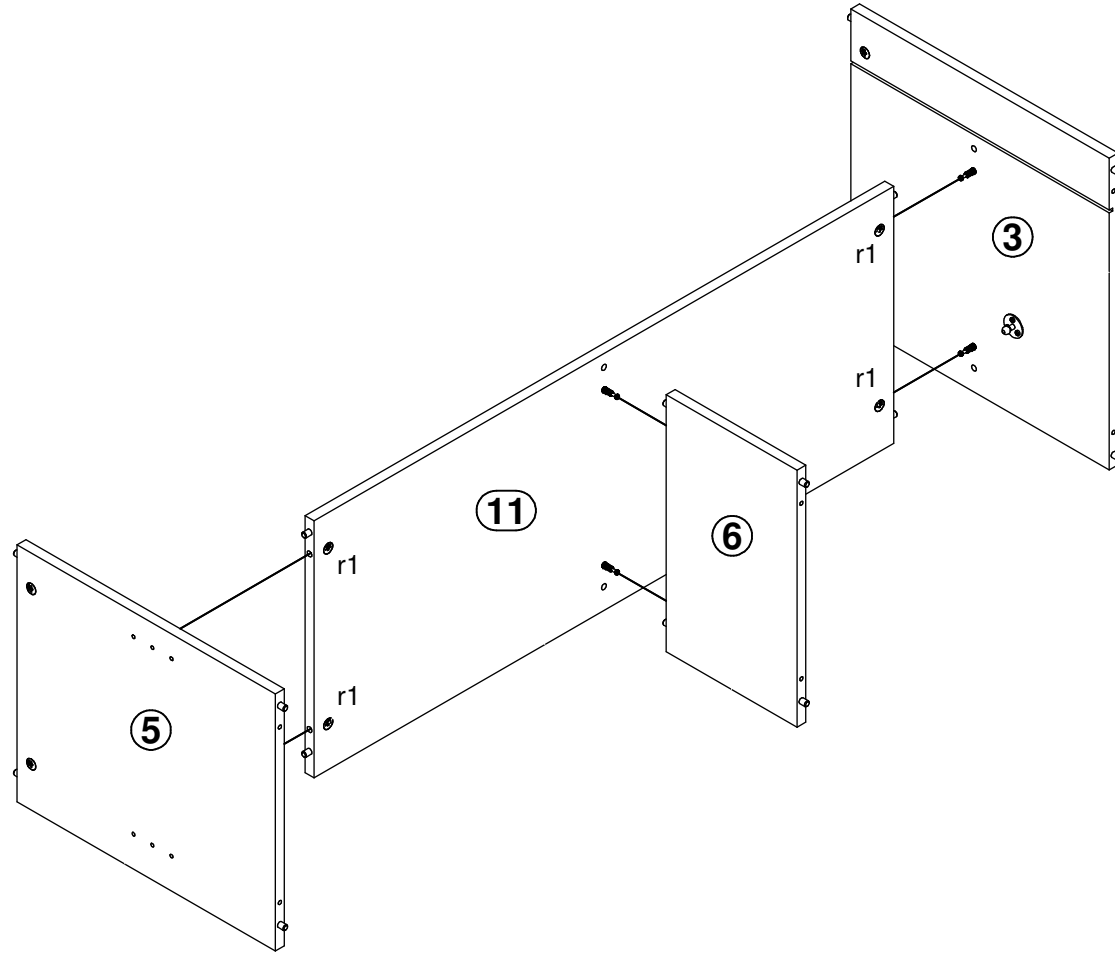


- 2x  **b92**
- 4x  **f1**  $\varnothing 8 \times 30$  mm
- 4x  **r1**  $\varnothing 15 \times 12$  mm #16
- 8x  **r42**  $\varnothing 20 \times 11$  mm

4 

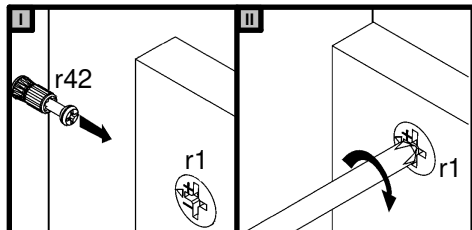
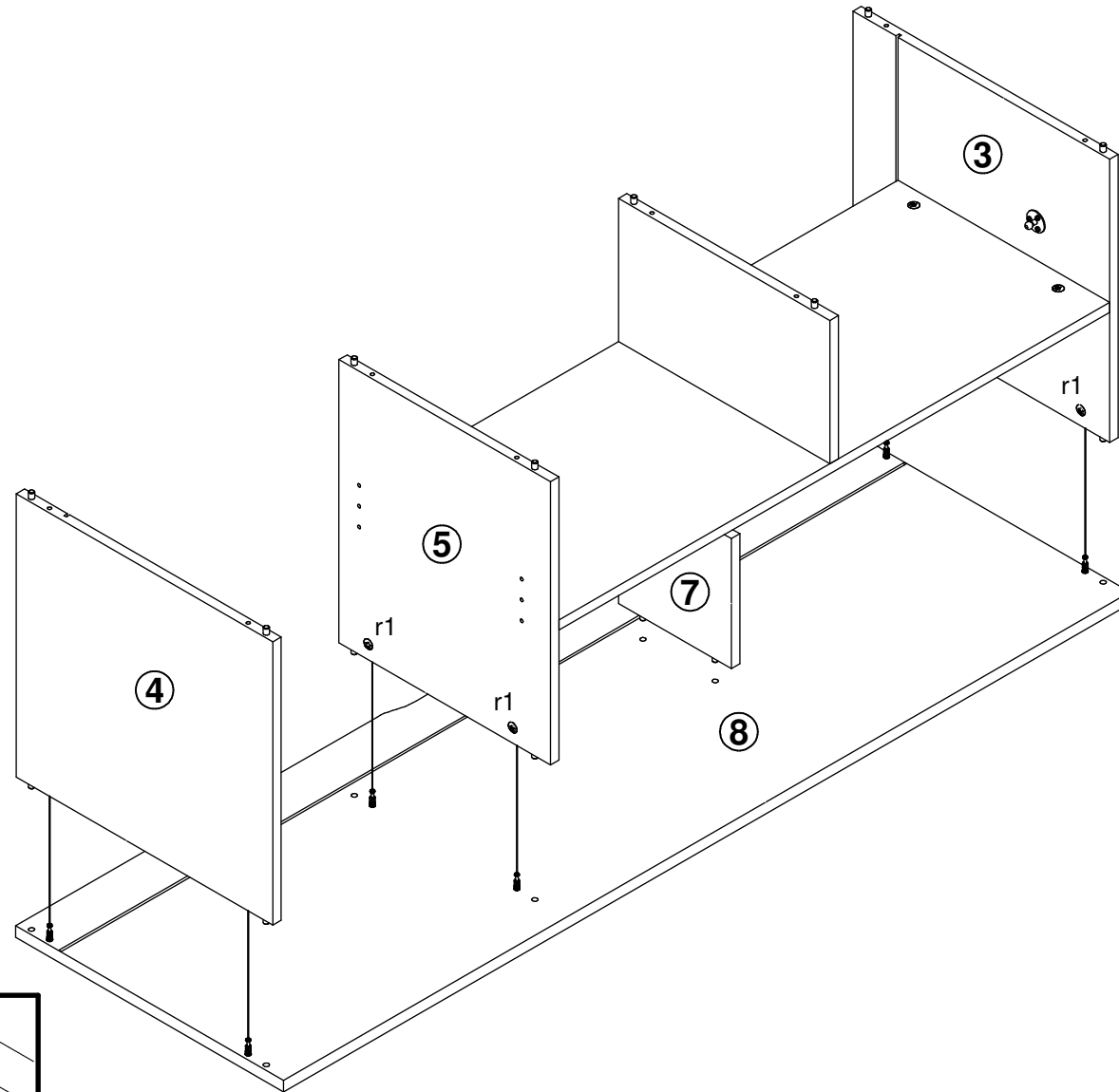


**5** 

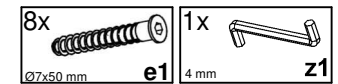
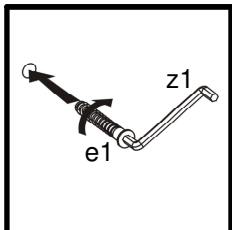
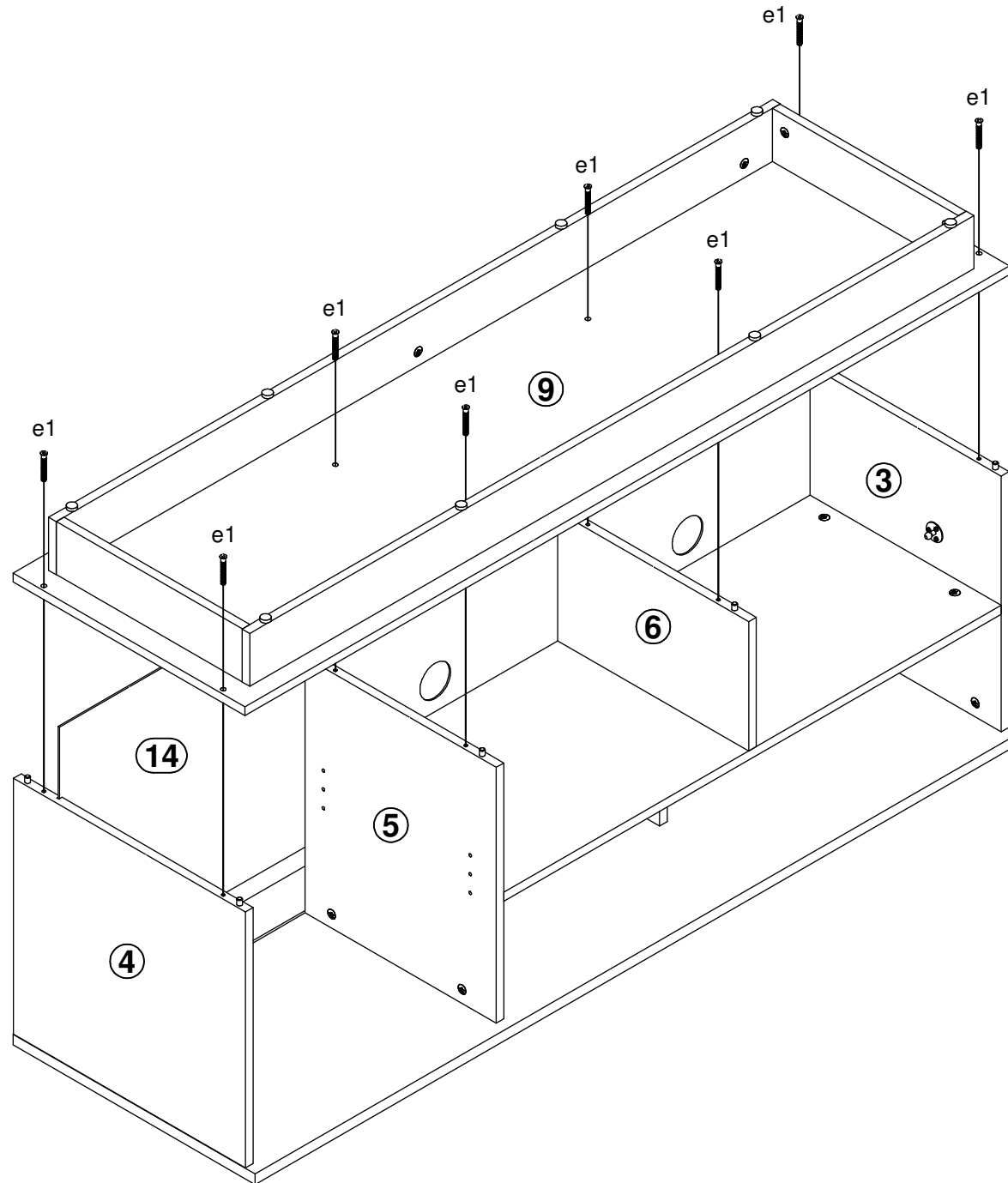




6 

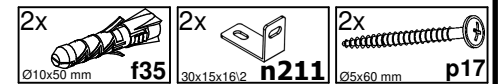
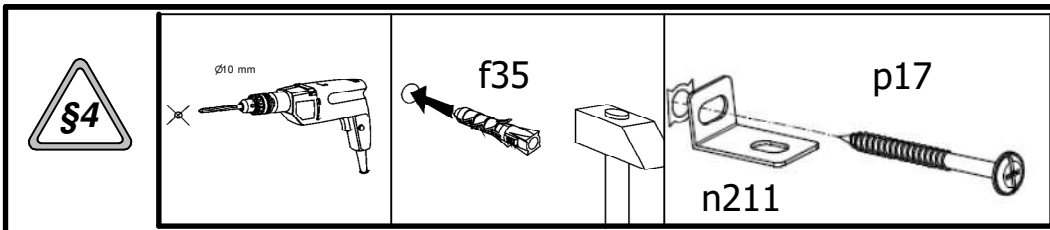
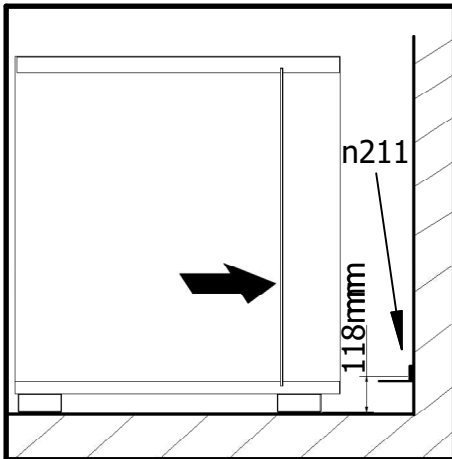
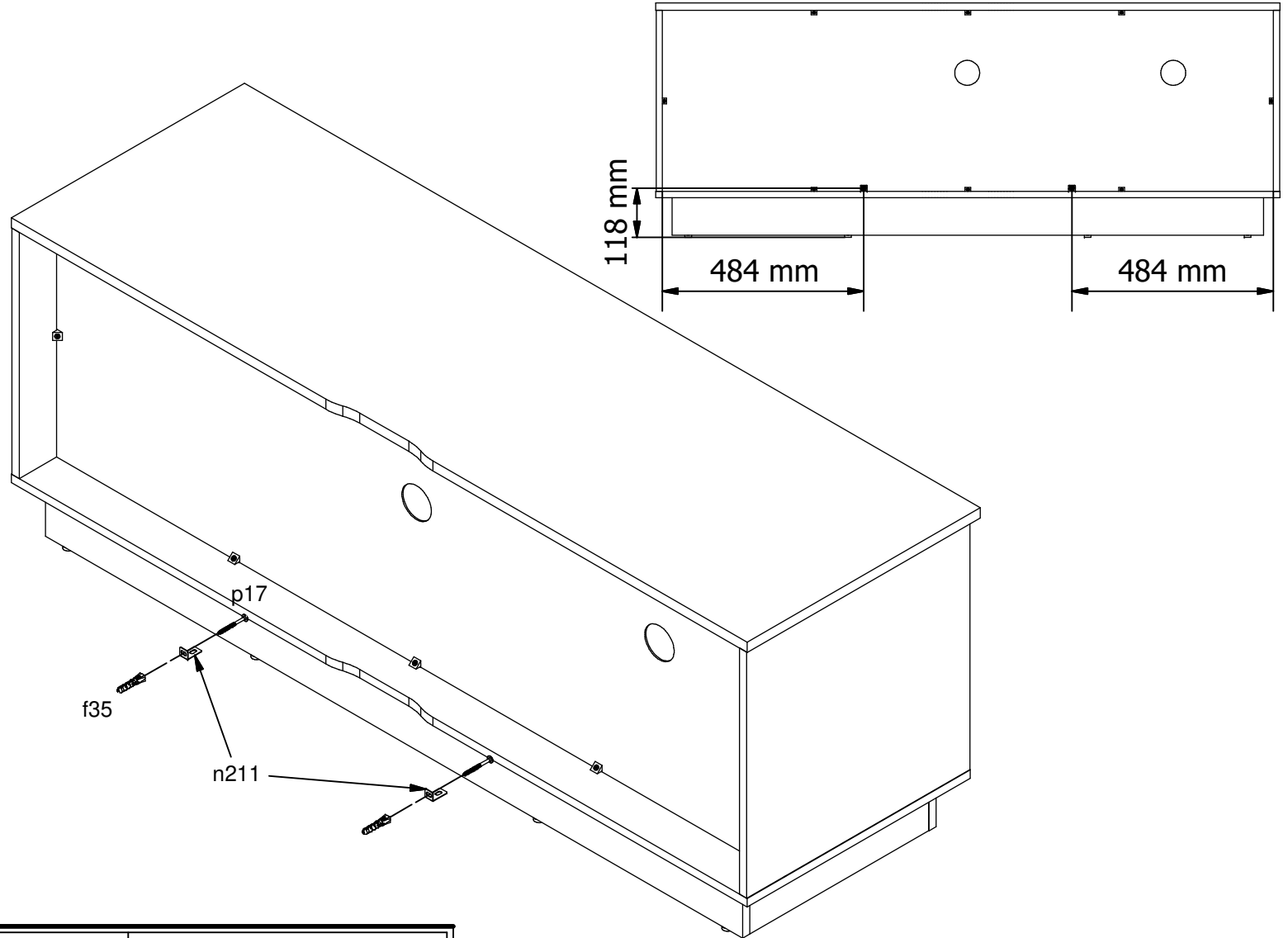


7 

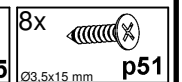
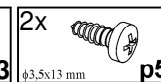
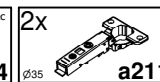
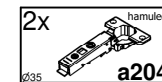
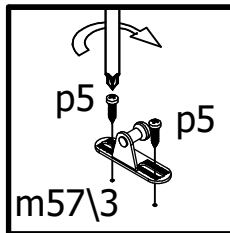
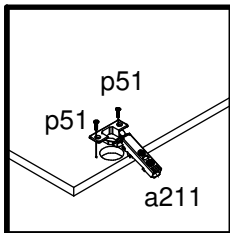
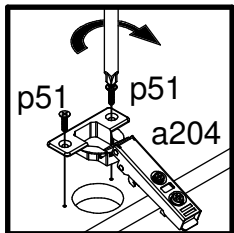
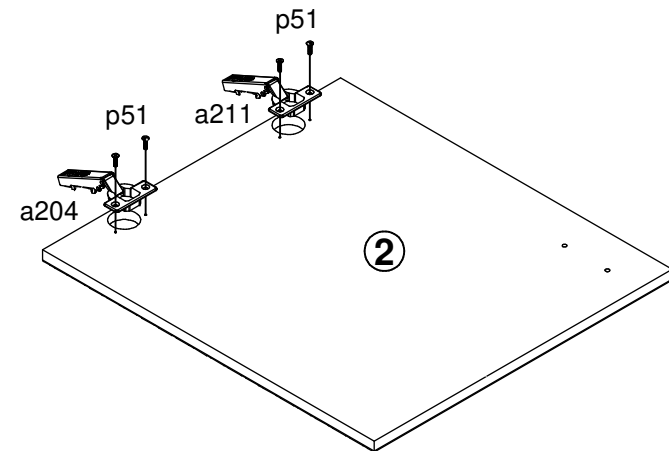
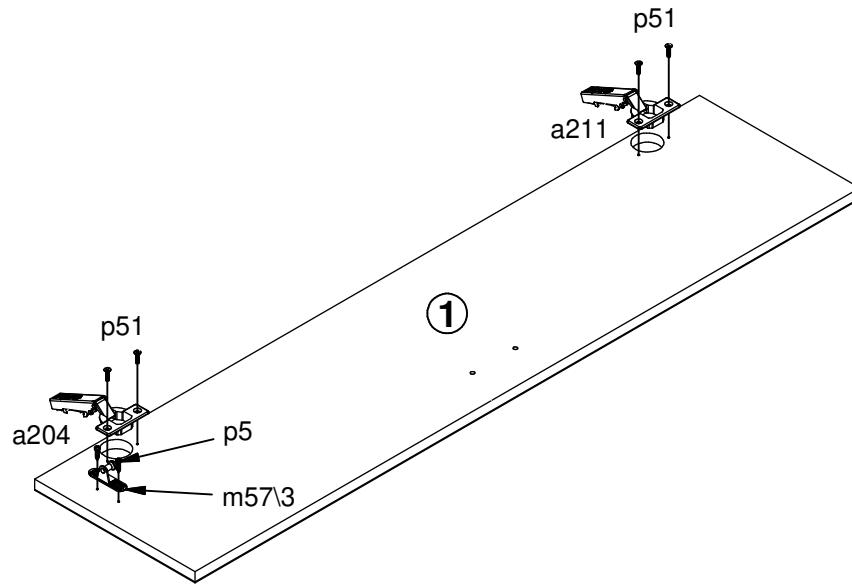




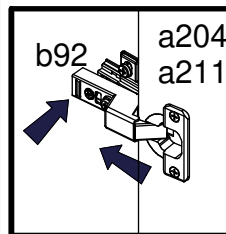
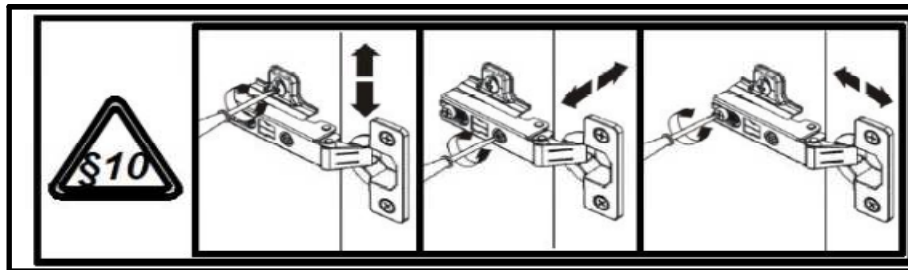
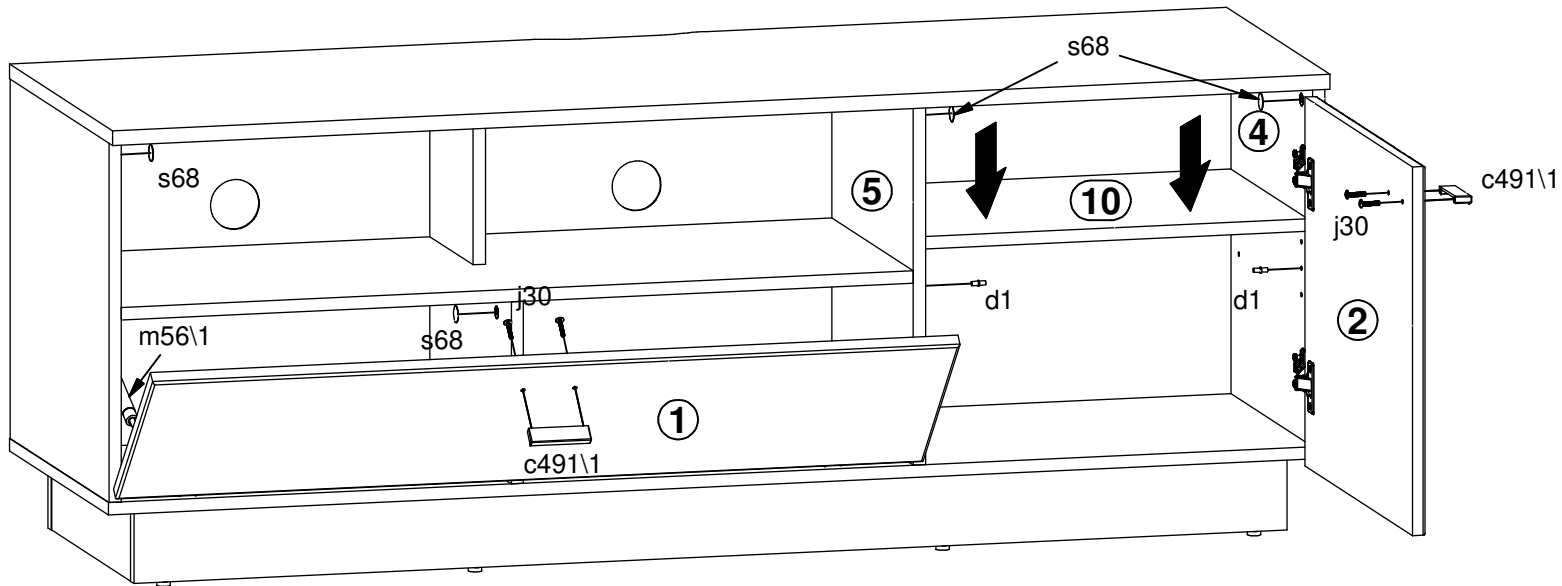
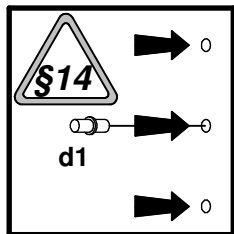
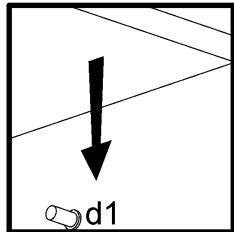
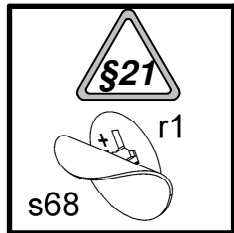
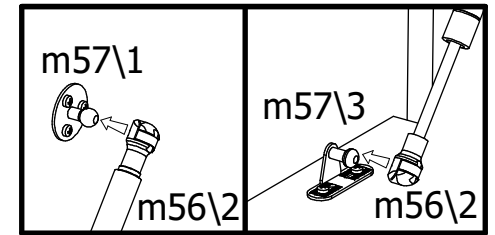
9 



10 



# 11



- 2x **c491\1**
- 4x **d1**
- 4x **j30**
- 1x **m56\1**
- 6x **s68**

12

