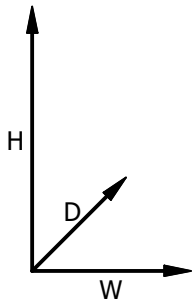
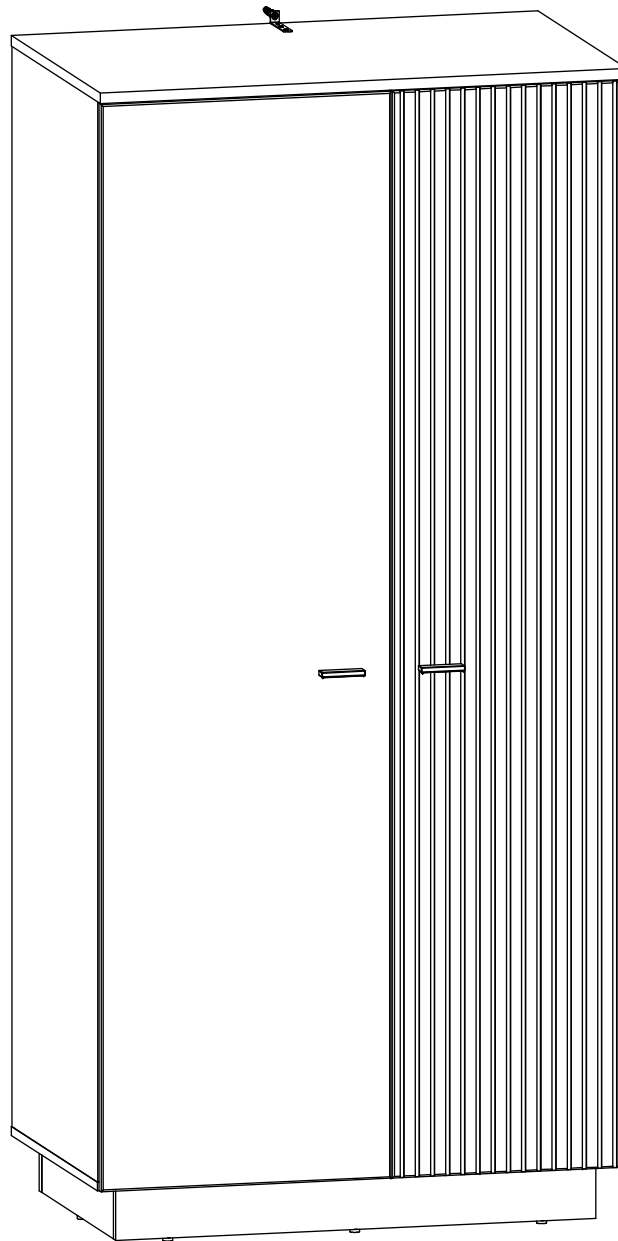
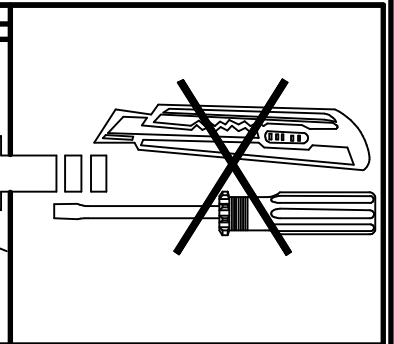
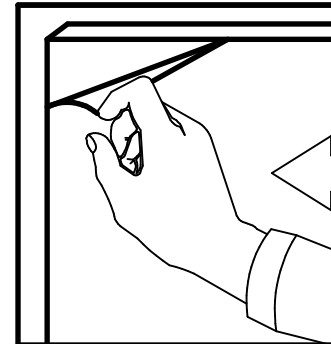
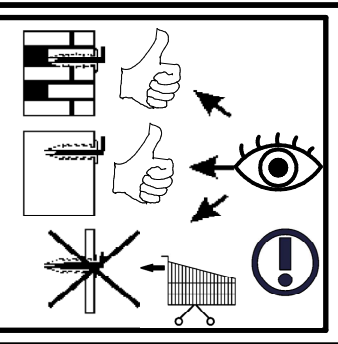
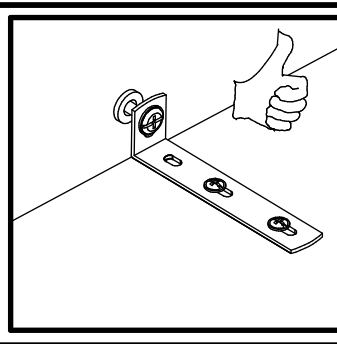
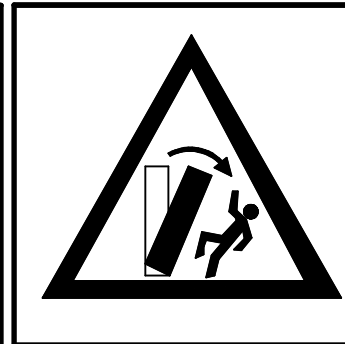
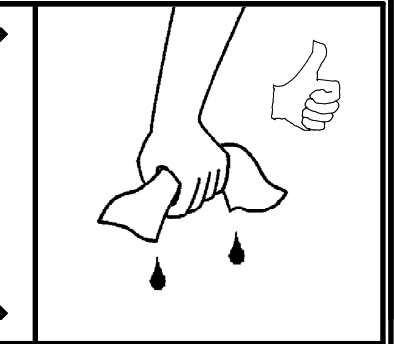
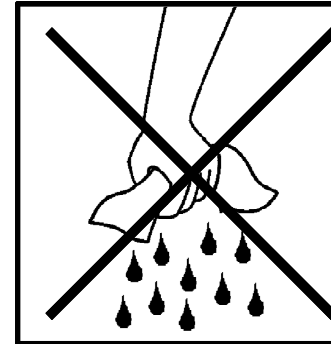
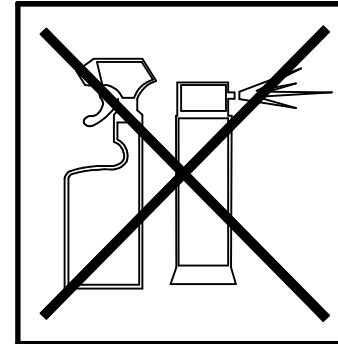
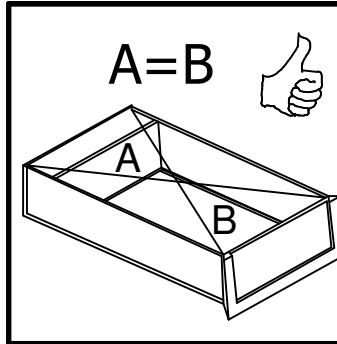
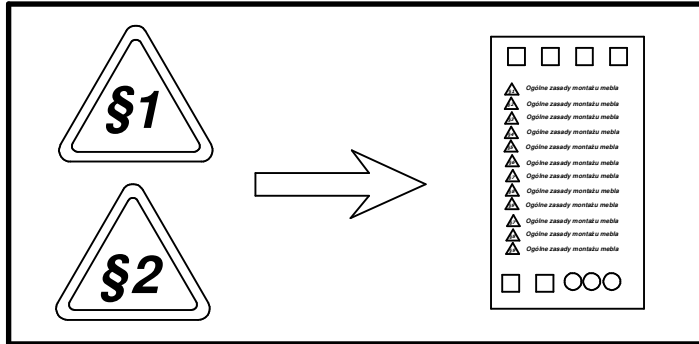
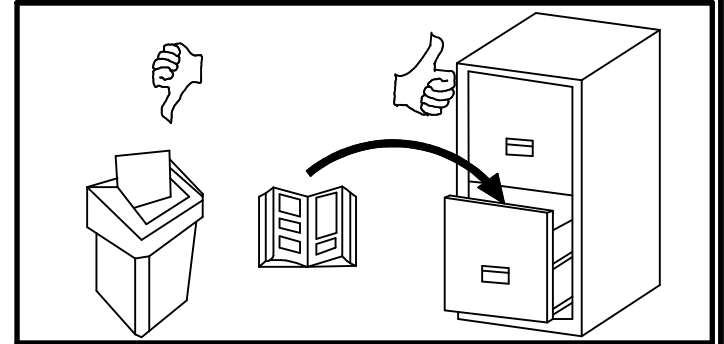
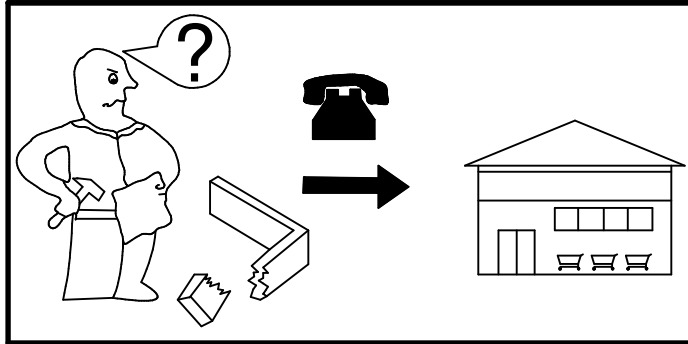
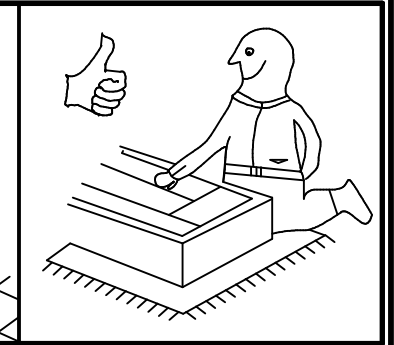
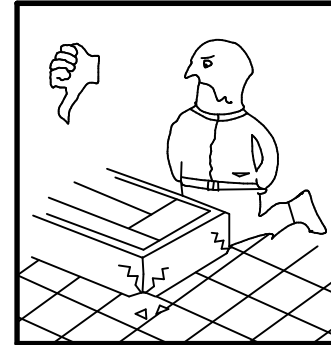
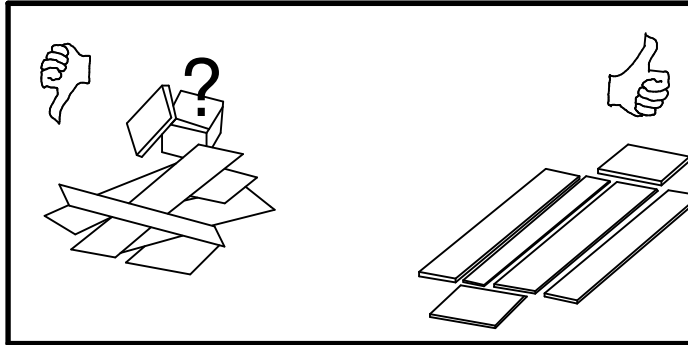
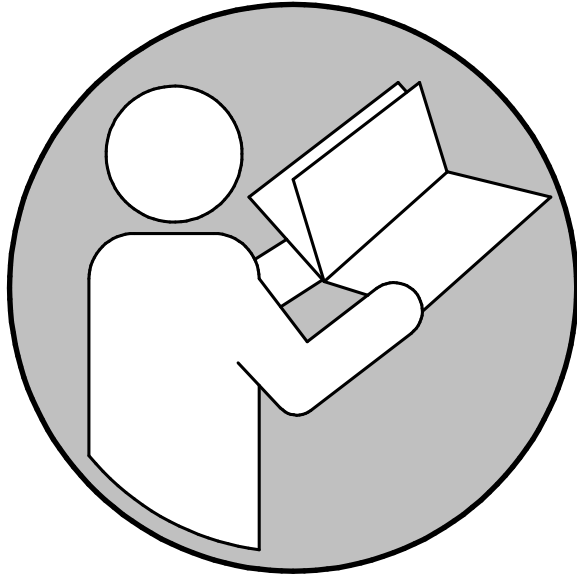


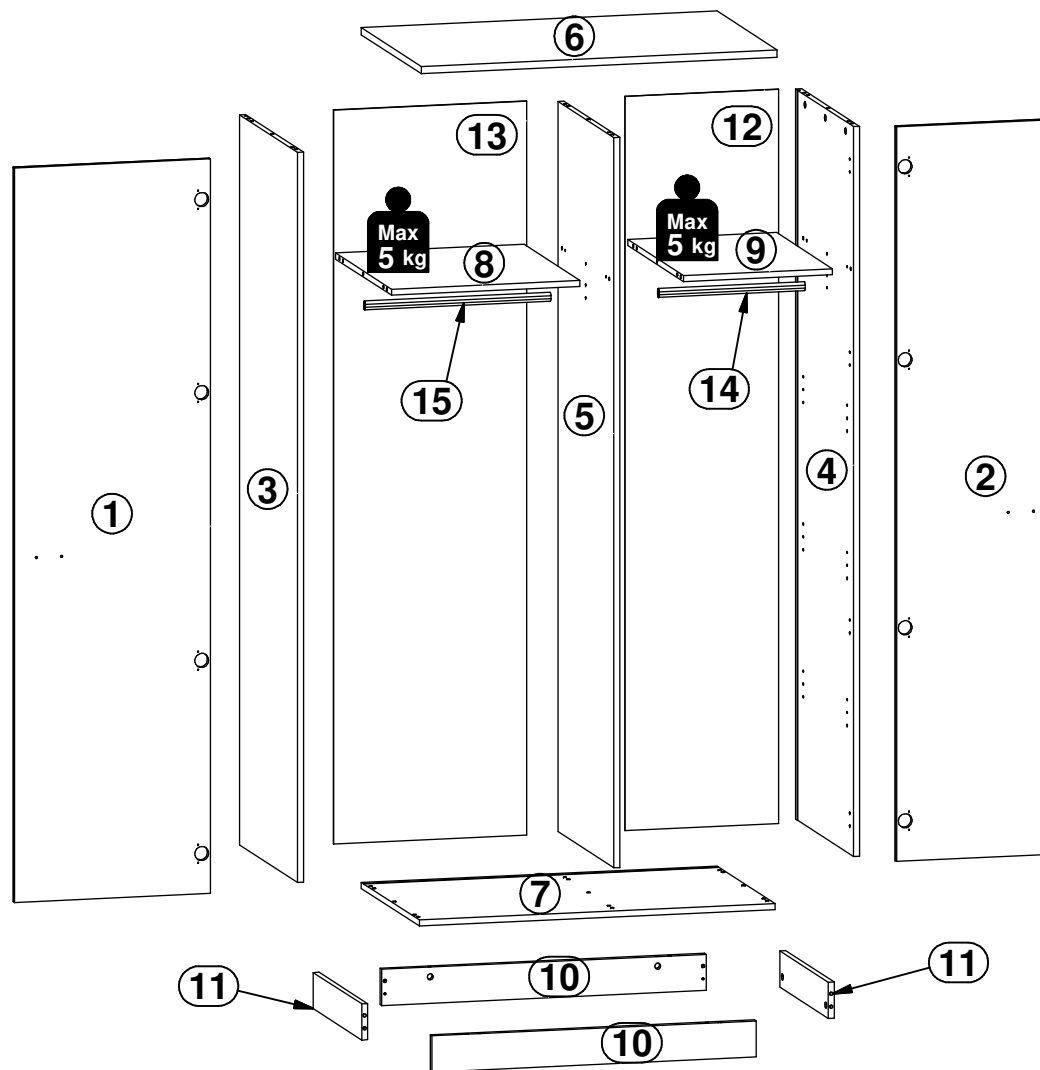
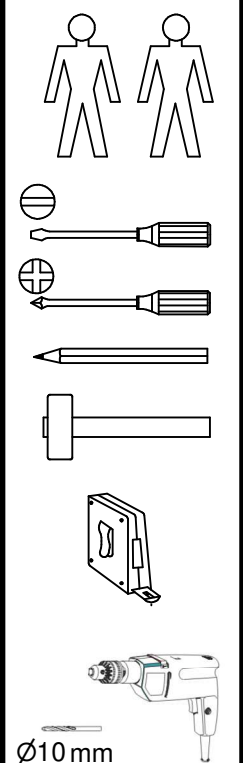
ZENDA

S617-SZF2D

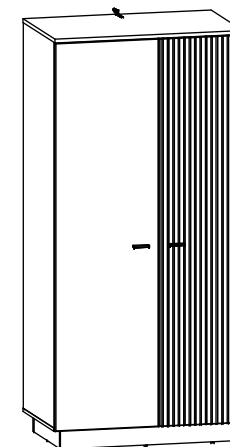


H - 1943 mm
W - 901 mm
D - 568 mm



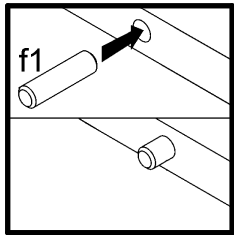
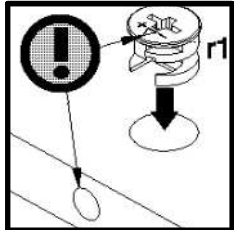
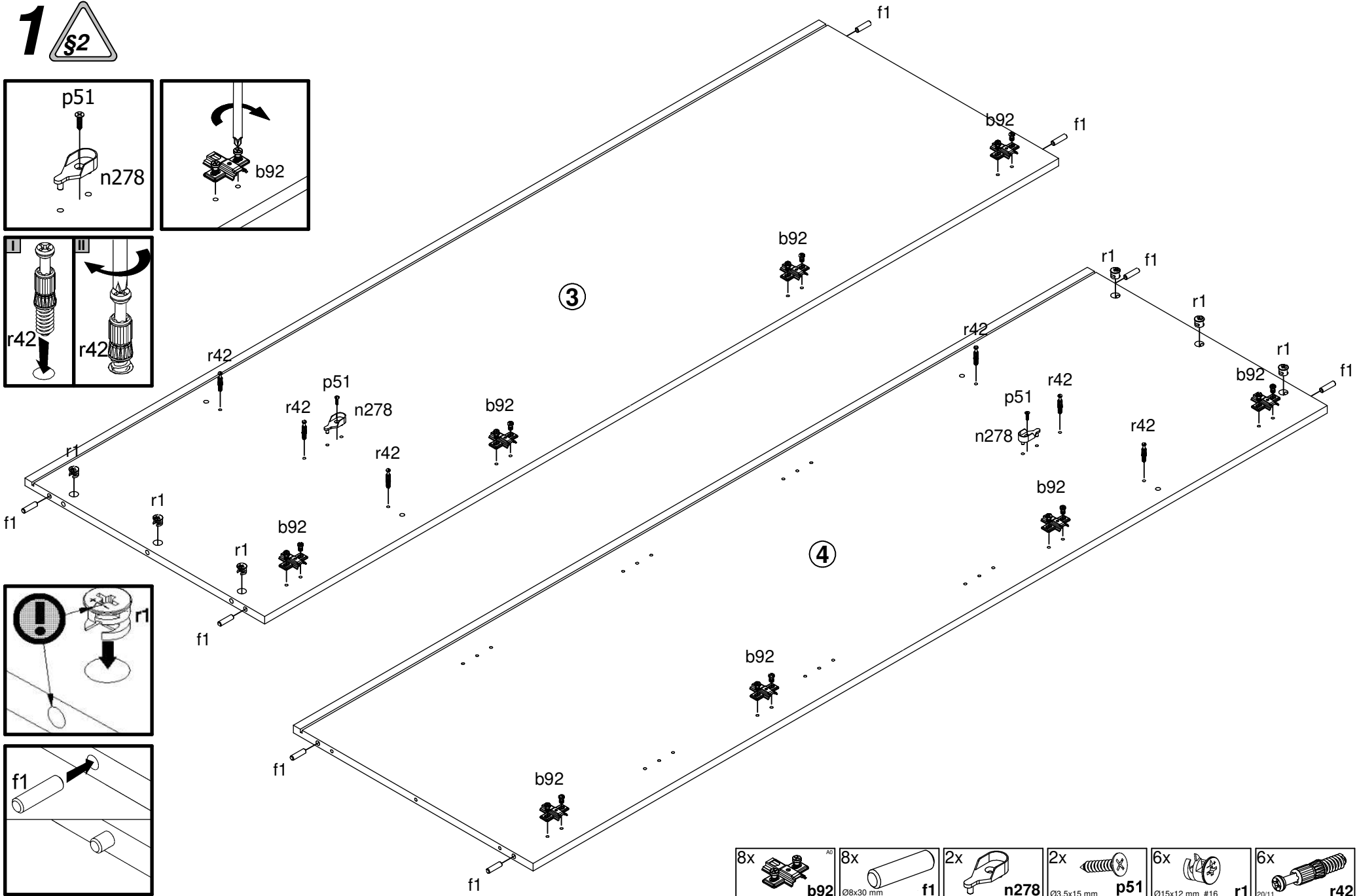
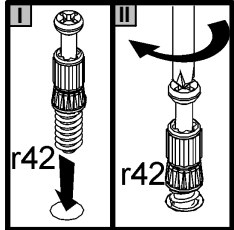
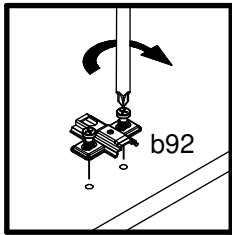
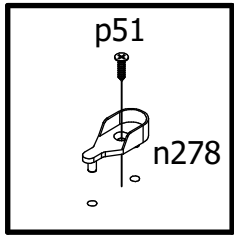







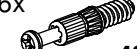
A	B	C (mm)			D
1	S617-0004	1826	496	16	3/3
2	S617-0101	1826	396	16	3/3
3	S617-1006	1815	548	15	1/3
4	S617-1007	1815	548	15	1/3
5	S617-1008	1815	528	15	1/3
6	S617-2003	901	568	18	2/3
7	S617-2004	901	548	15	2/3
8	S617-3005	477	528	15	2/3
9	S617-3006	377	528	15	2/3
10	S617-4001	822	90	15	3/3
11	S617-4003	458	90	15	2/3
12	S617-9001	1825	389	2,5	1/3
13	S617-9002	1825	489	2,5	1/3
14	dr-370	370	22	15	2/3
15	dr-470	470	22	15	2/3



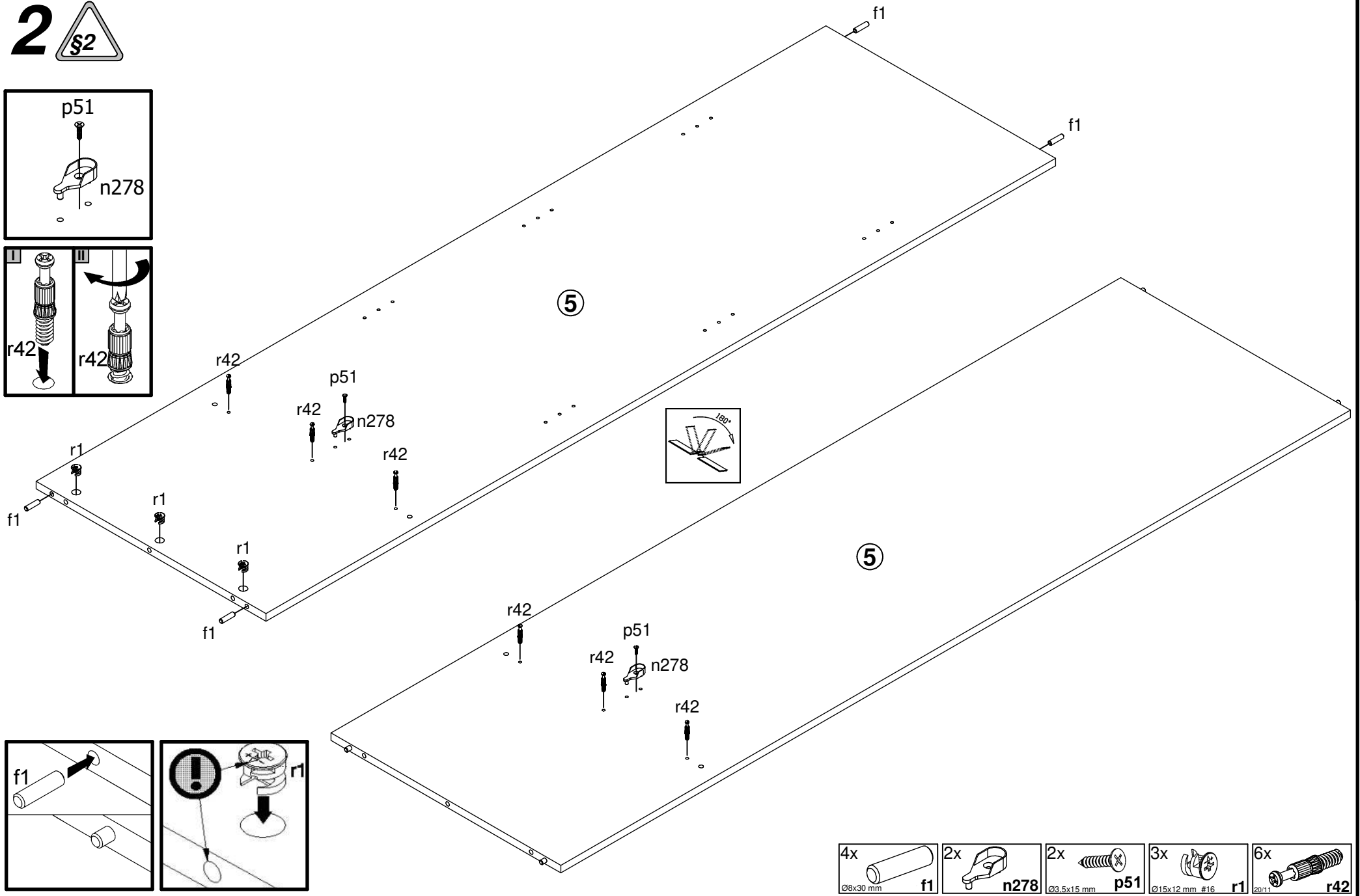
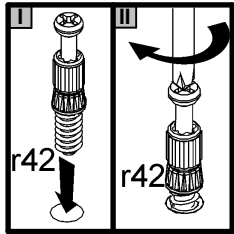
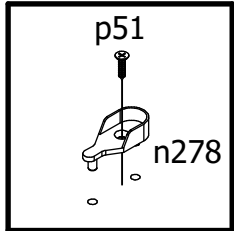
8x hamulec a204	8x b92	2x c491\1	9x e1	cm ruler 0-10	28x f1	1x f35	4x j30	D 2/3
6x k1	14x l2	9x n108	1x n14\2		4x n278	1x p17	22x p51	
					9x p55	29x r1	29x r42	21x s68
								1x z1





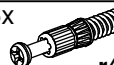
1 



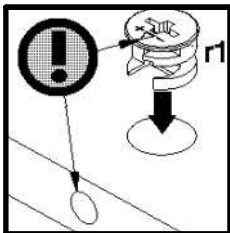
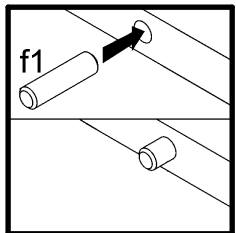
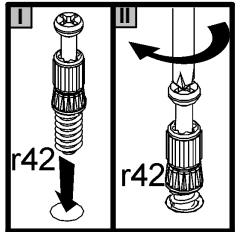
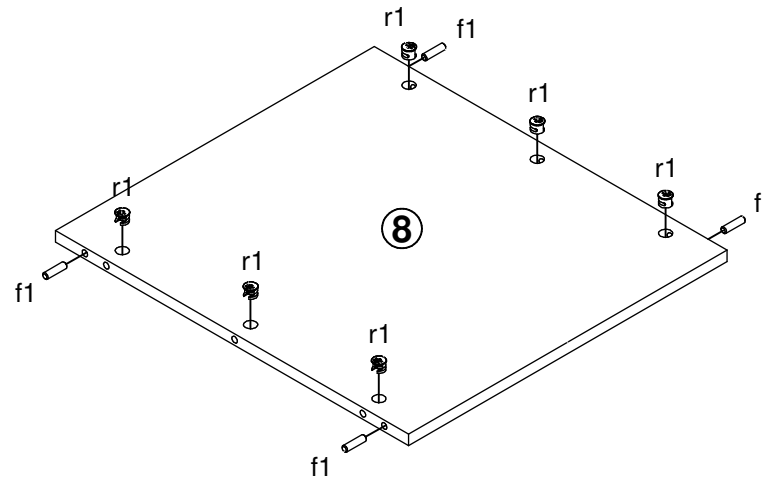
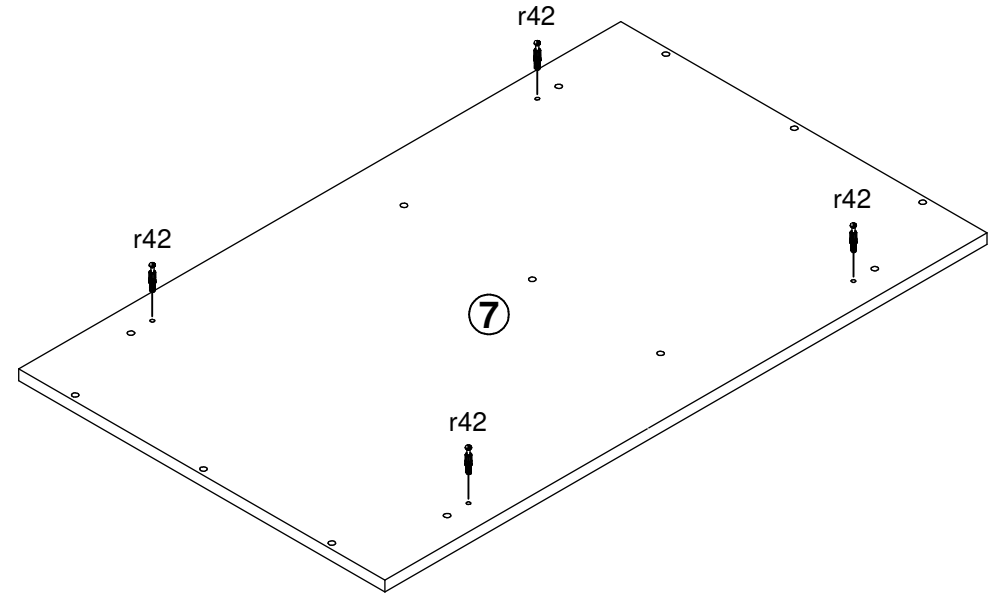
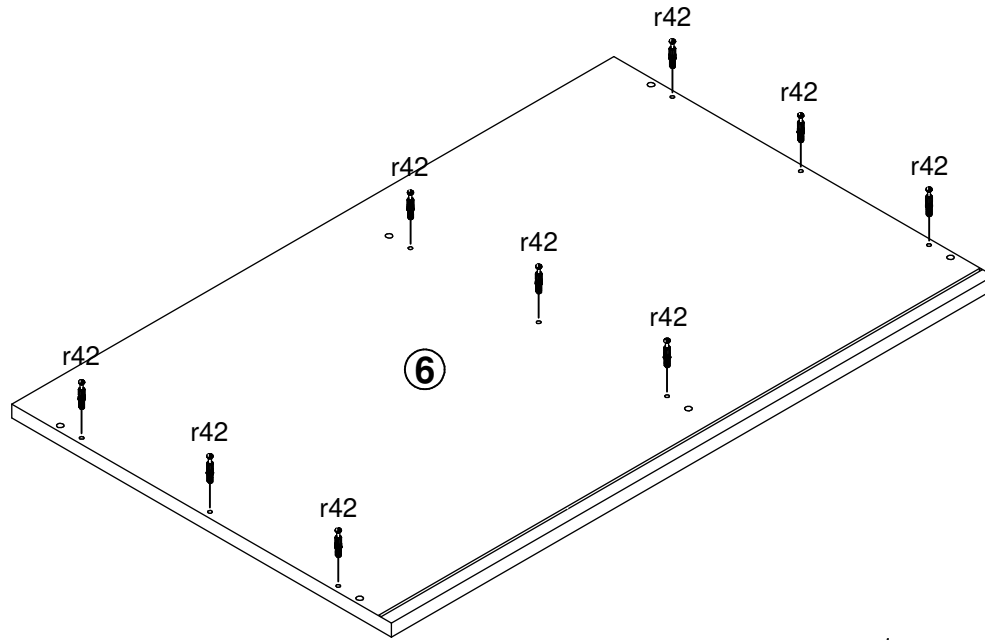
- 8x  **b92**
- 8x  **f1**
- 2x  **n278**
- 2x  **p51**
- 6x  **r1**
- 6x  **r42**

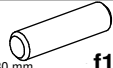


2 



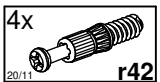
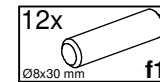
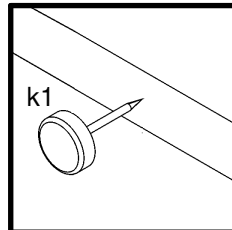
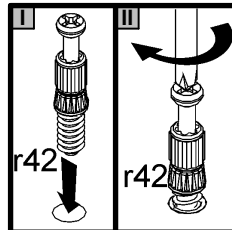
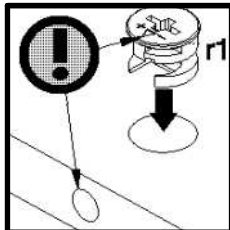
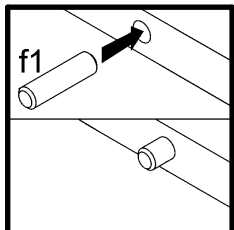
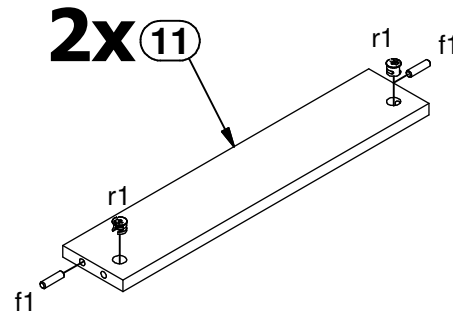
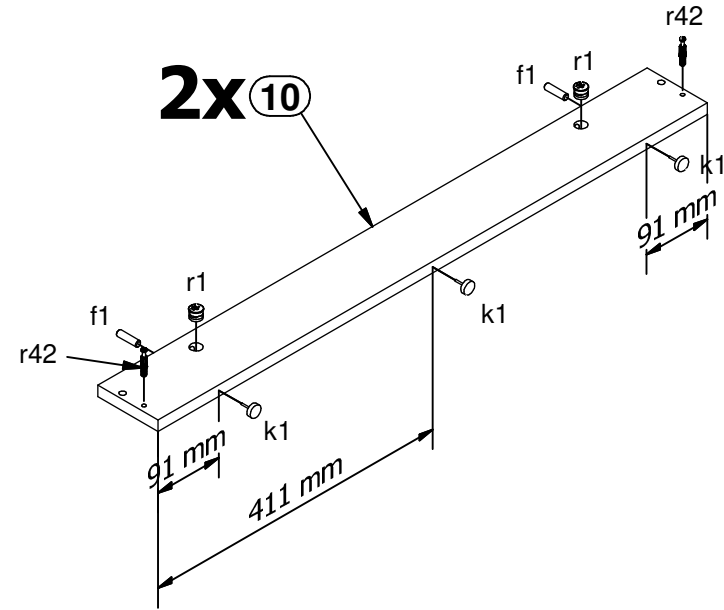
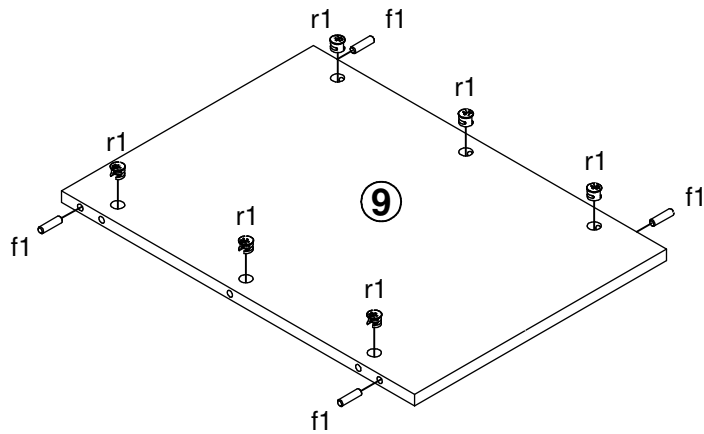
- 4x  f1 Ø8x30 mm
- 2x  n278
- 2x  p51 Ø3.5x15 mm
- 3x  r1 Ø15x12 mm #16
- 6x  r42 20/11

3 

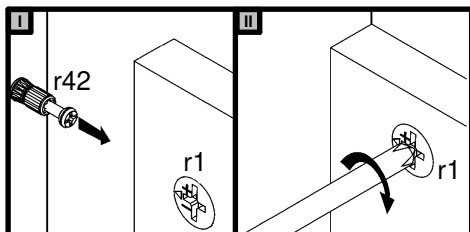
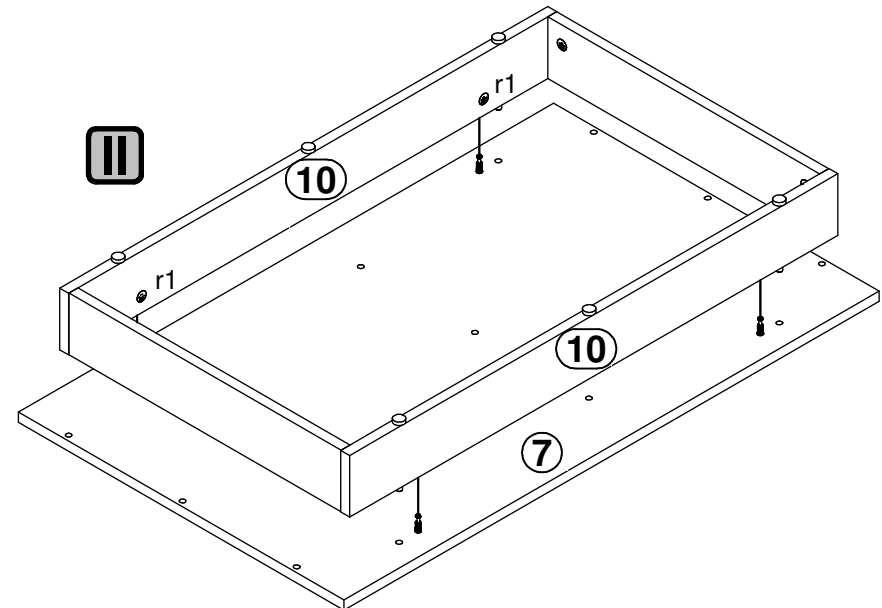
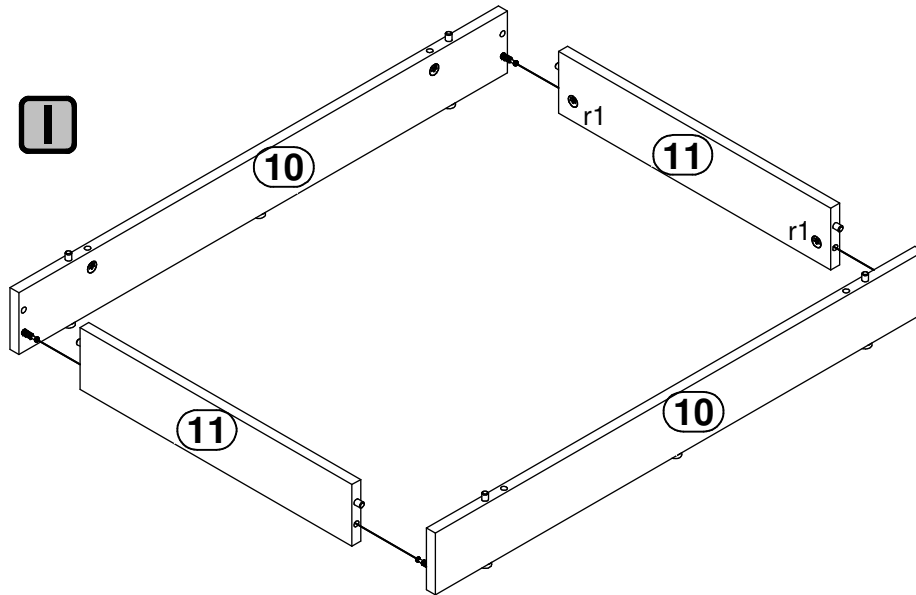


- 4x  f1 Ø8x30 mm
- 6x  r1 Ø15x12 mm #16
- 13x  r42 20/11

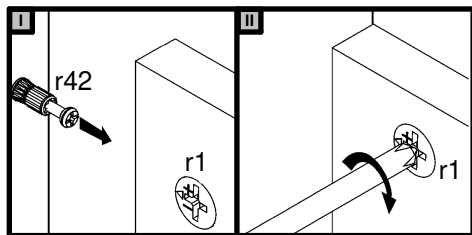
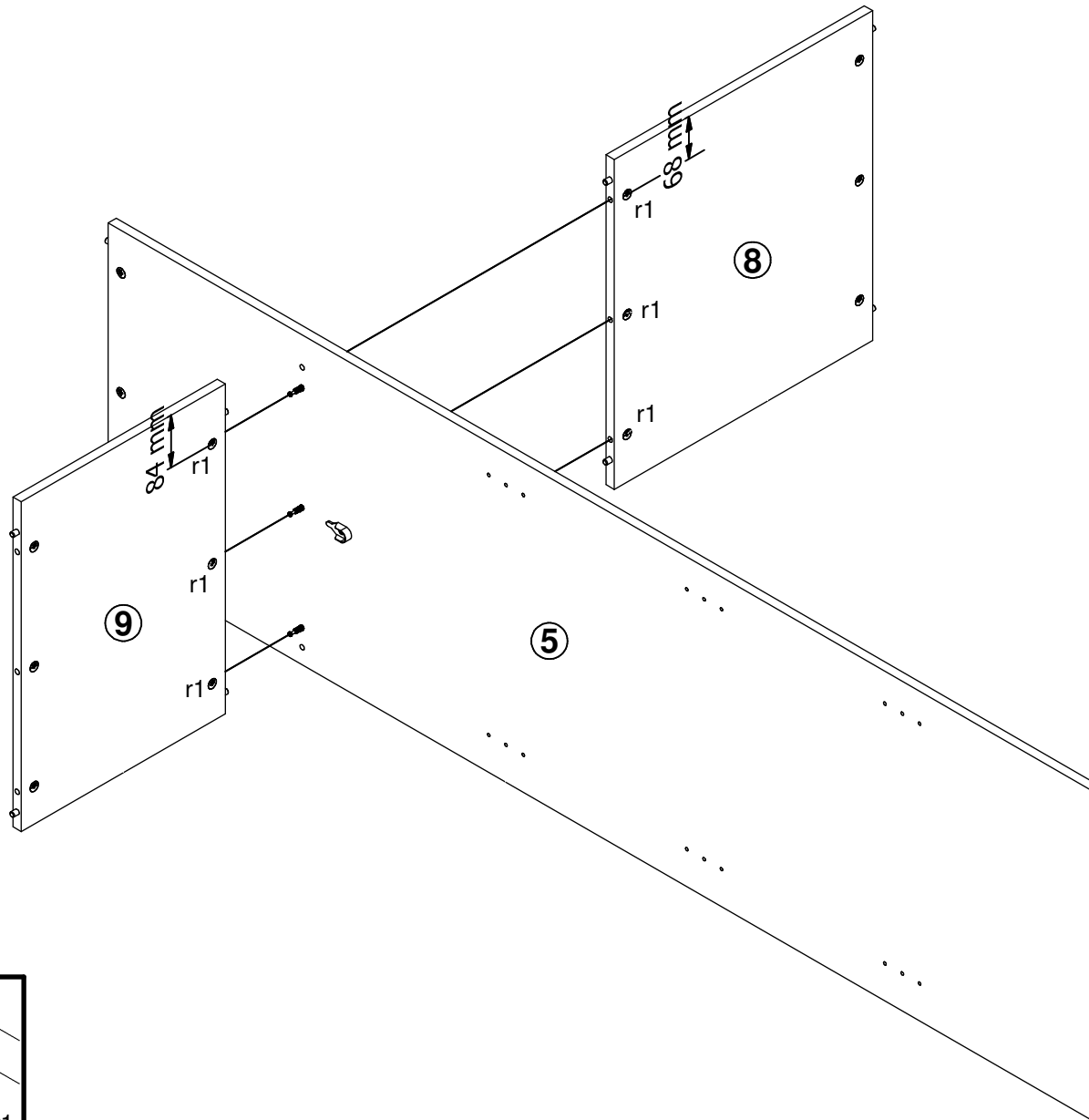
4 



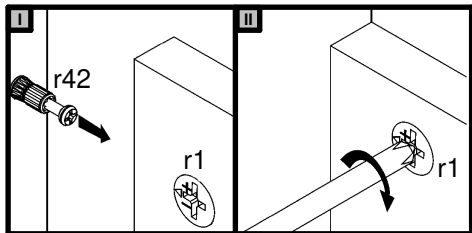
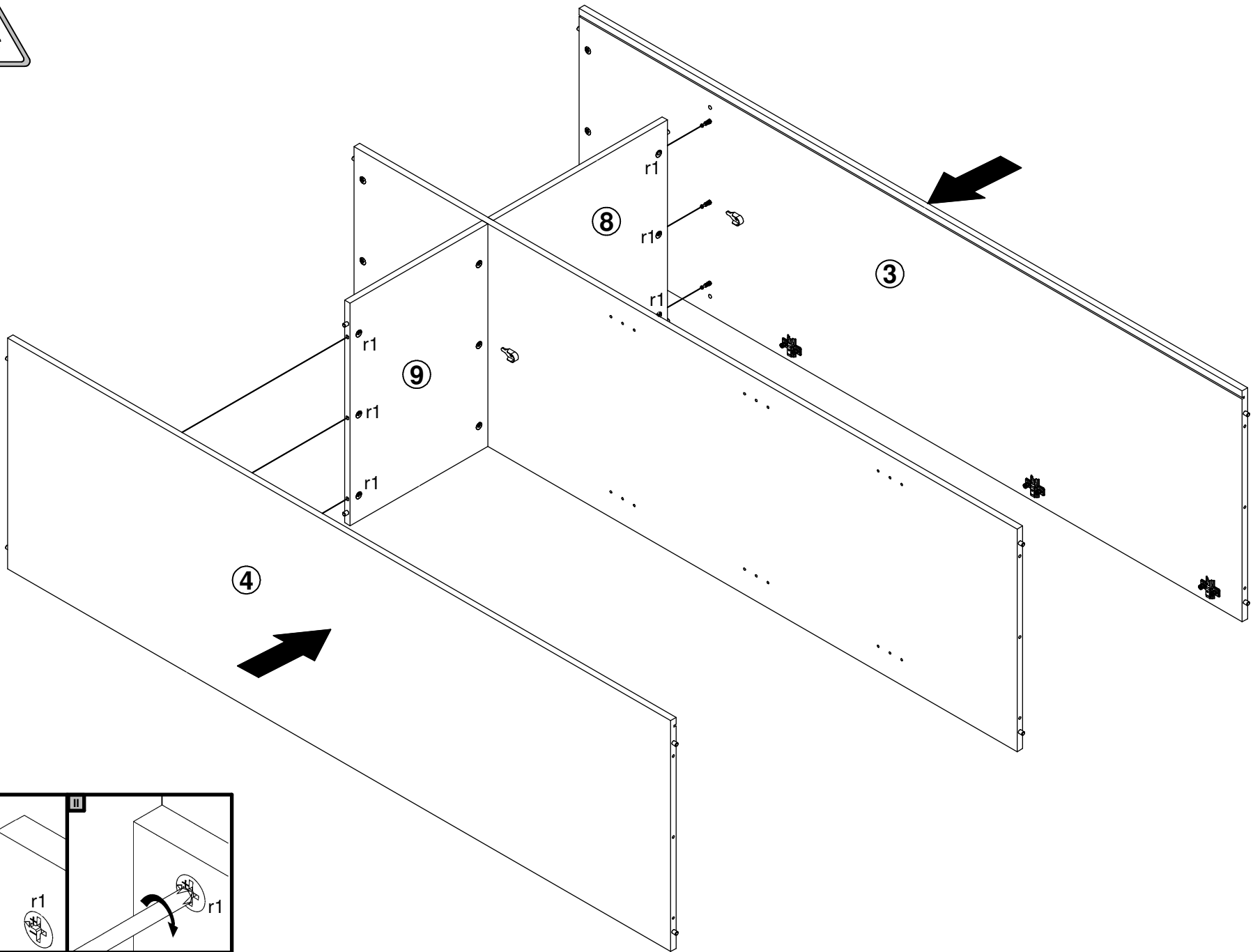
5 



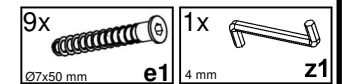
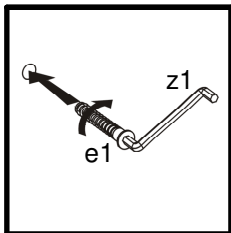
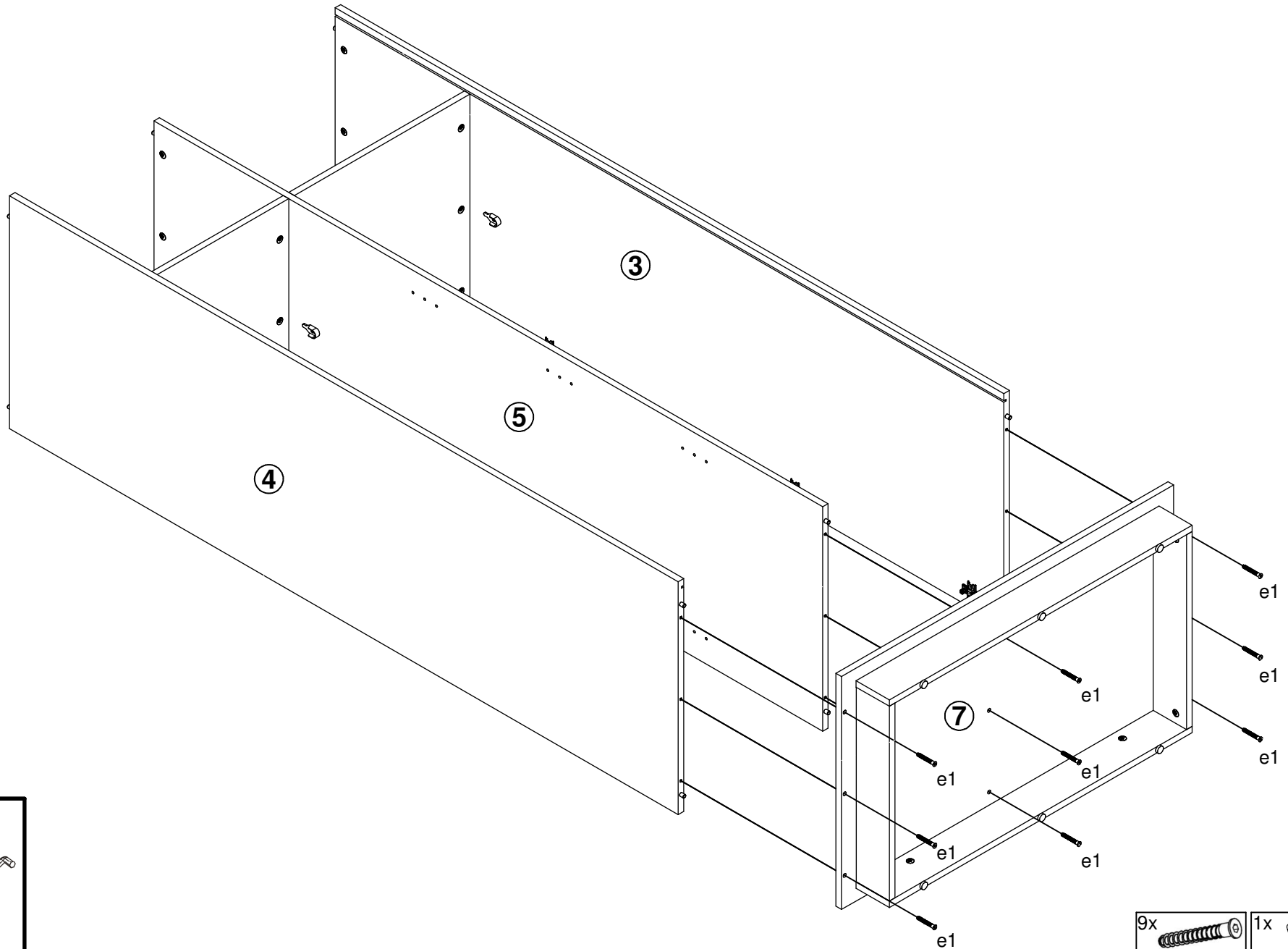
6 



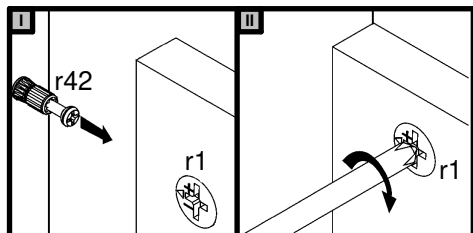
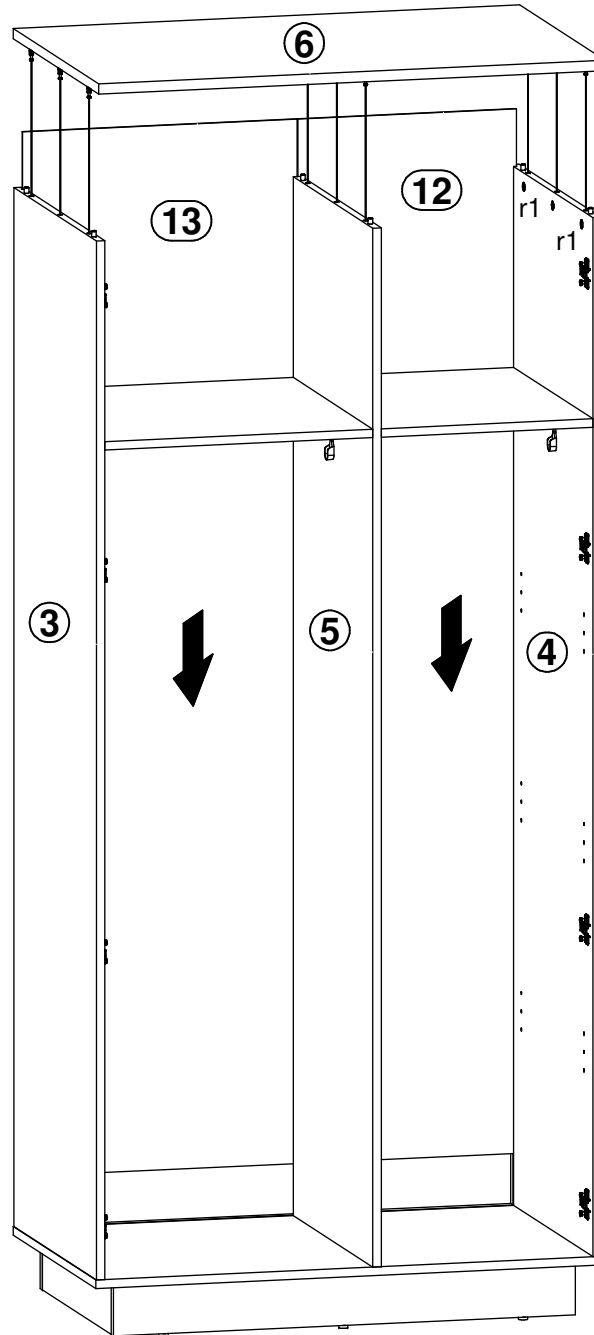
7 



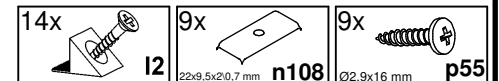
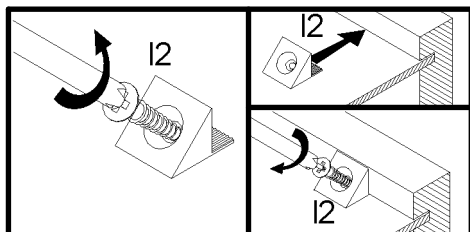
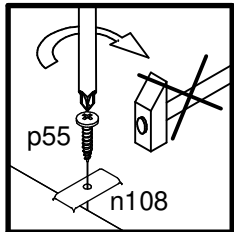
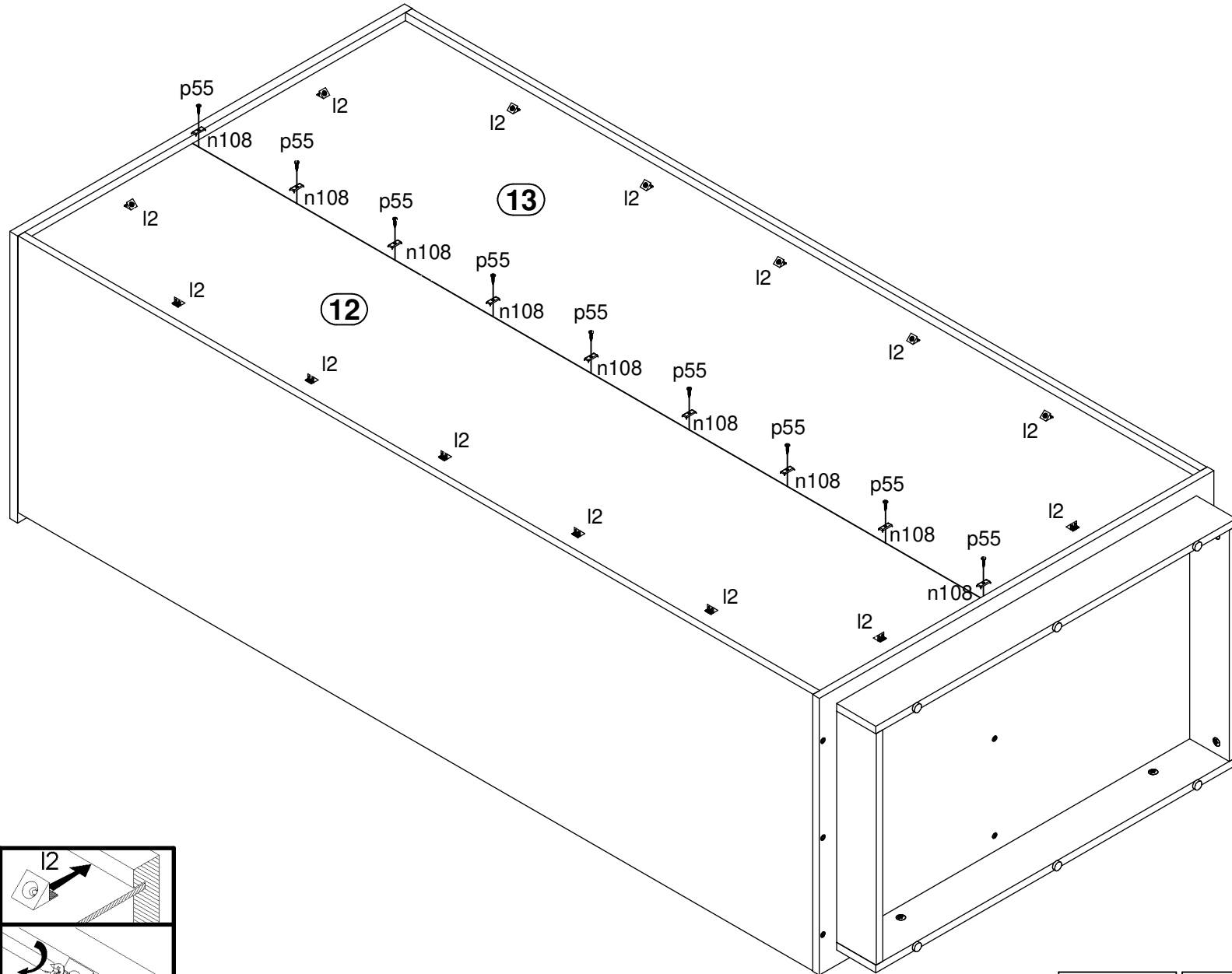
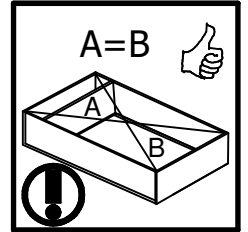
8 



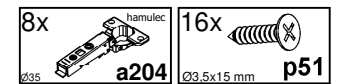
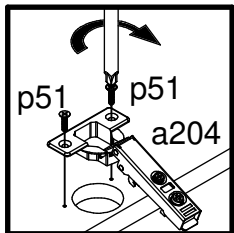
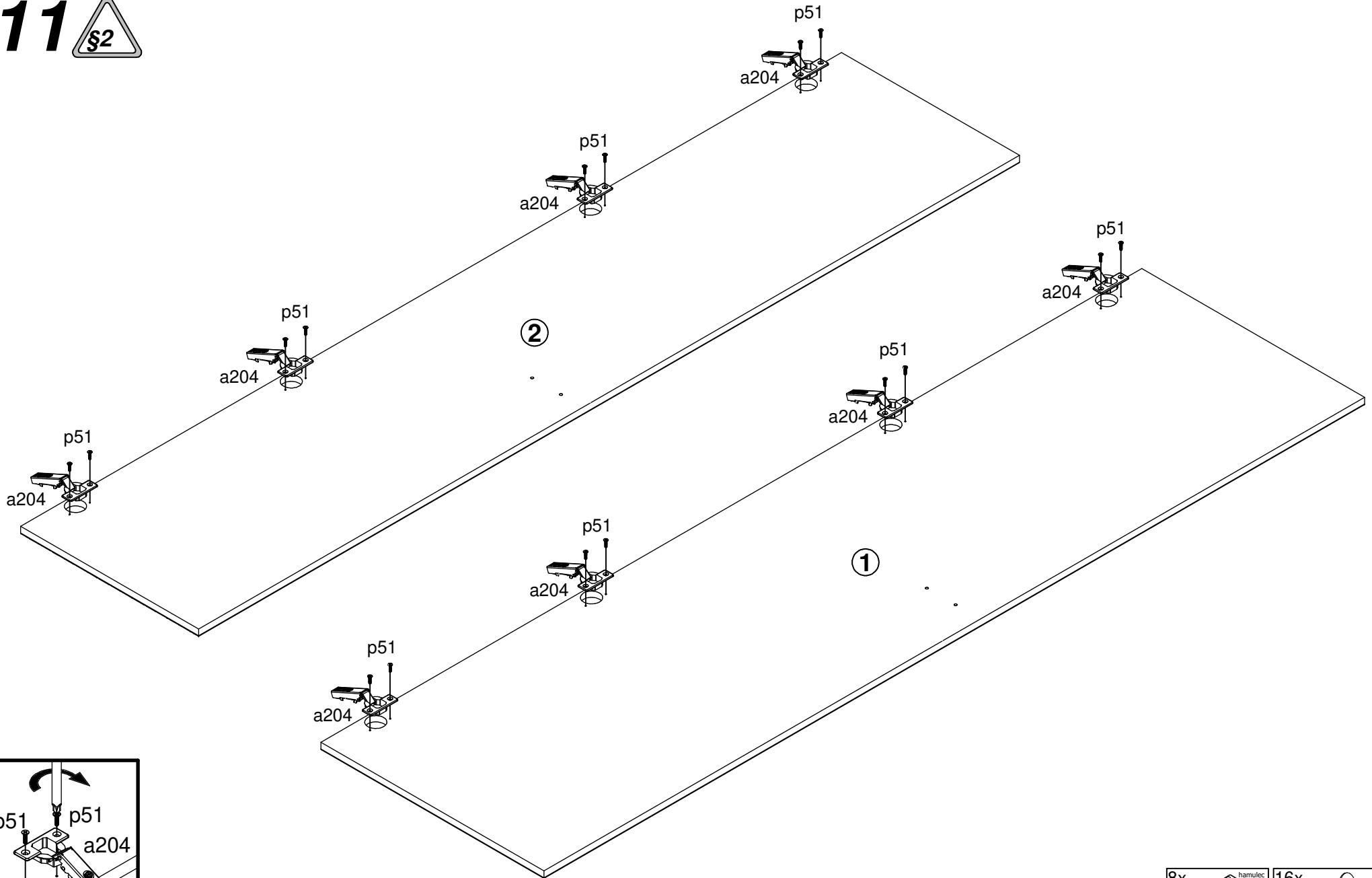
9 



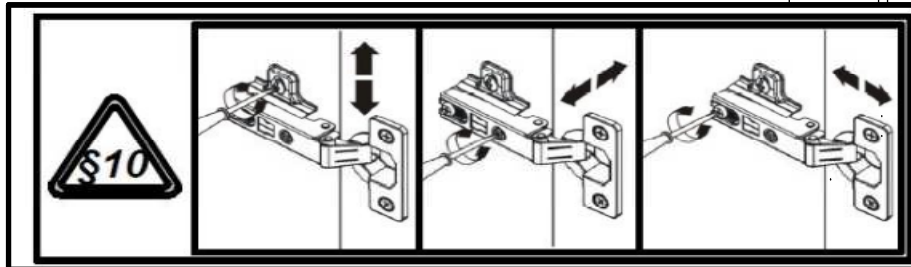
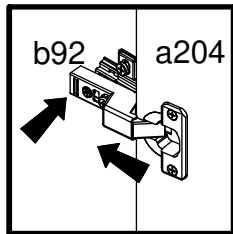
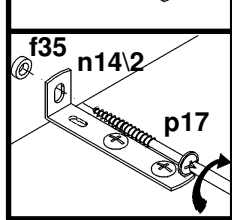
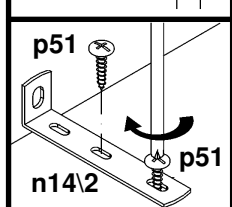
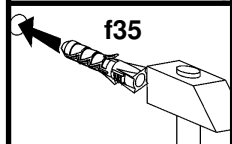
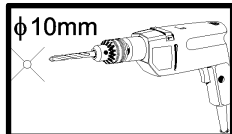
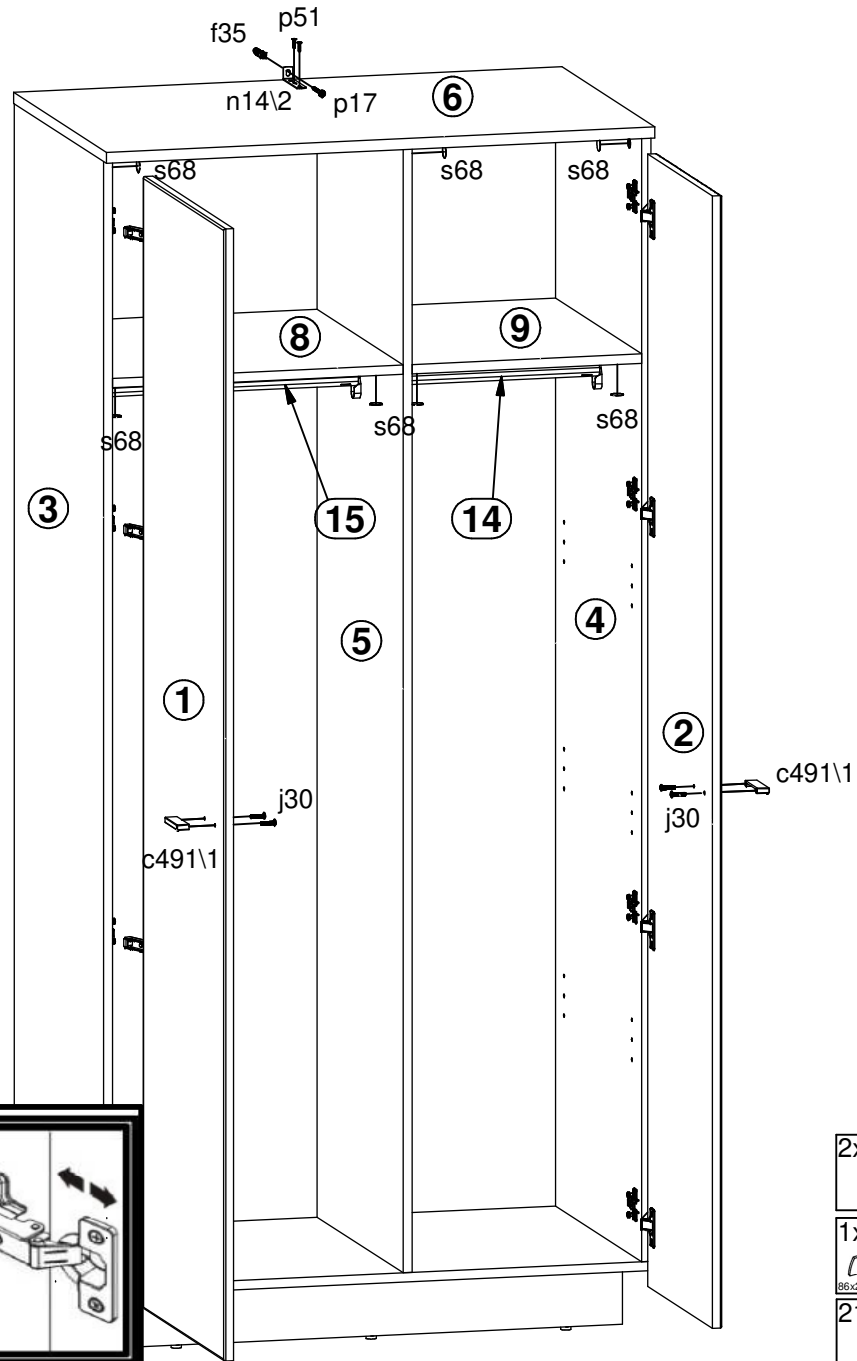
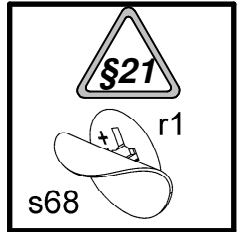
10 










11 



12 



2x  c491\1	1x  f35	4x  j30
1x  n14\2	1x  p17	2x  p51
21x  s68		

13

