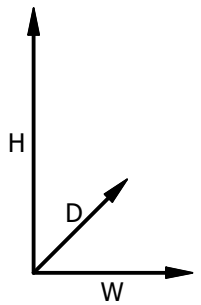
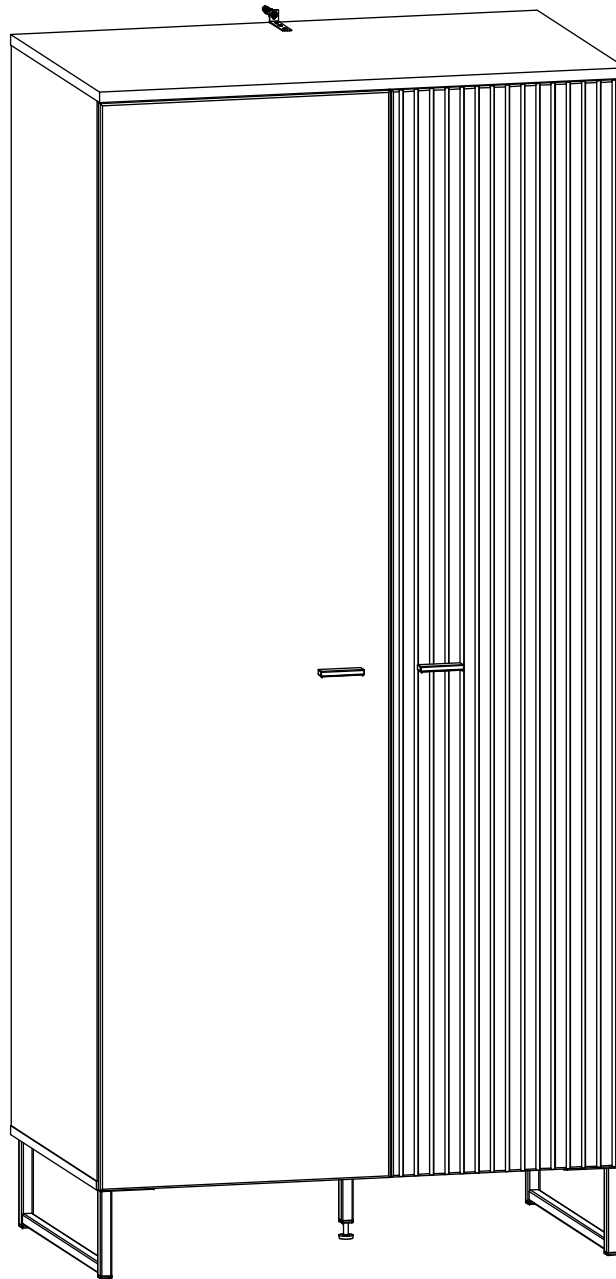
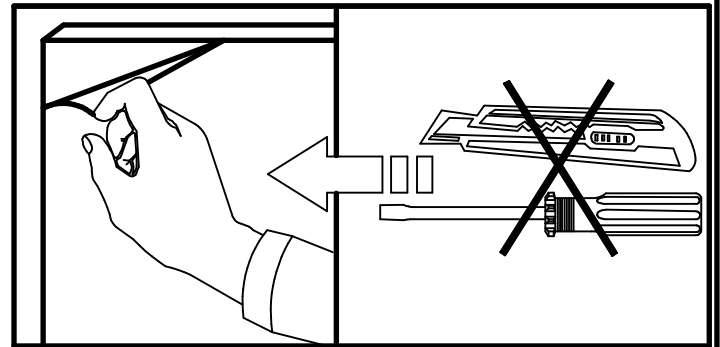
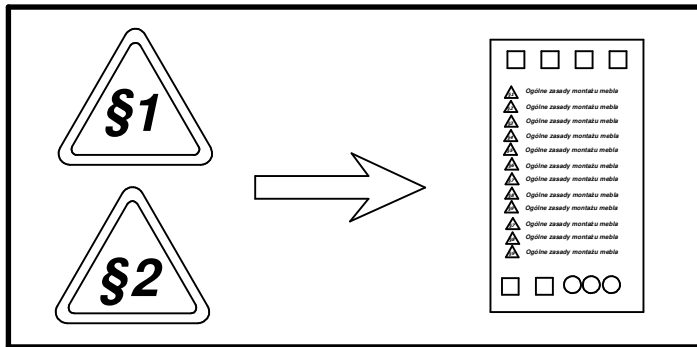
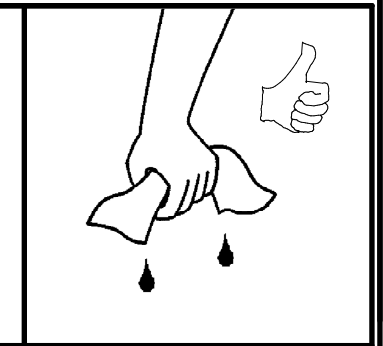
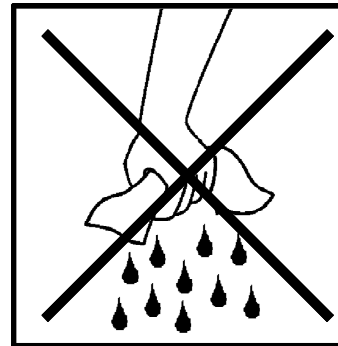
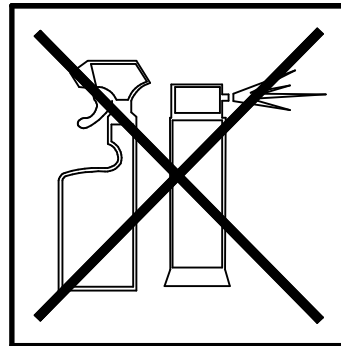
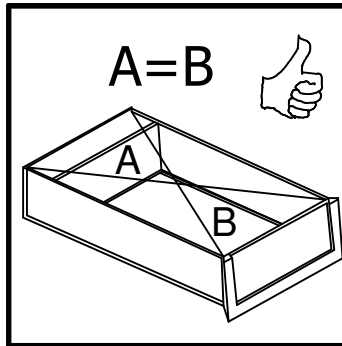
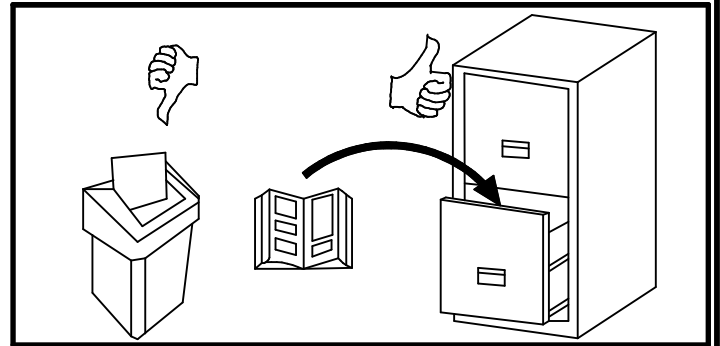
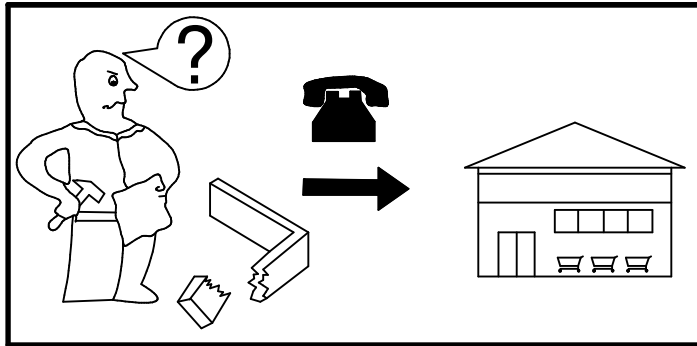
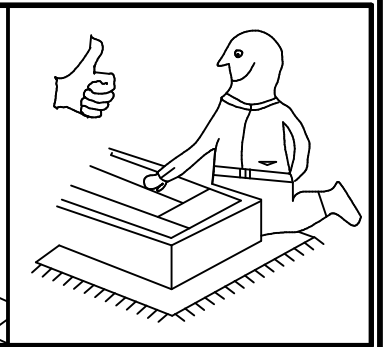
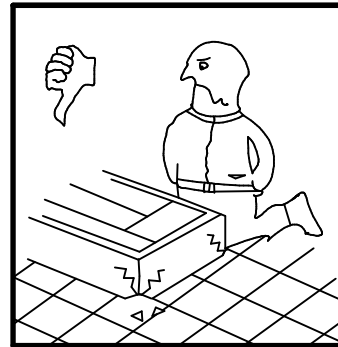
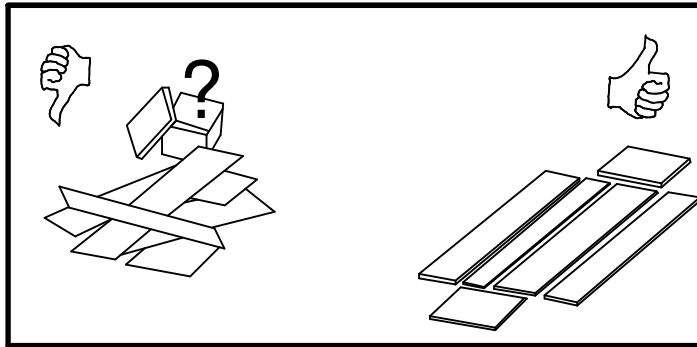
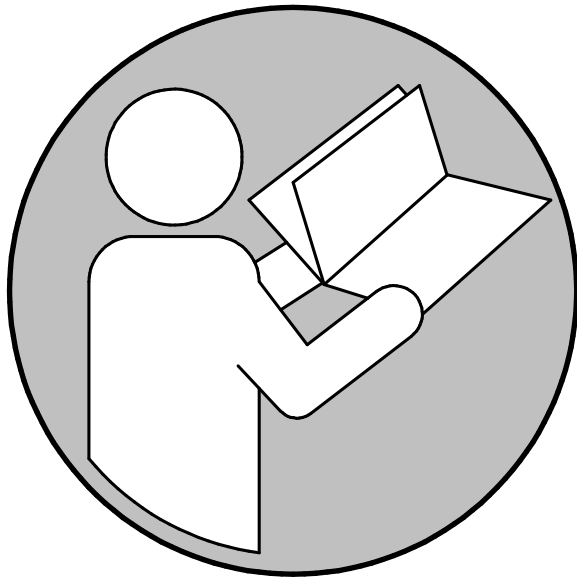


ZENDA

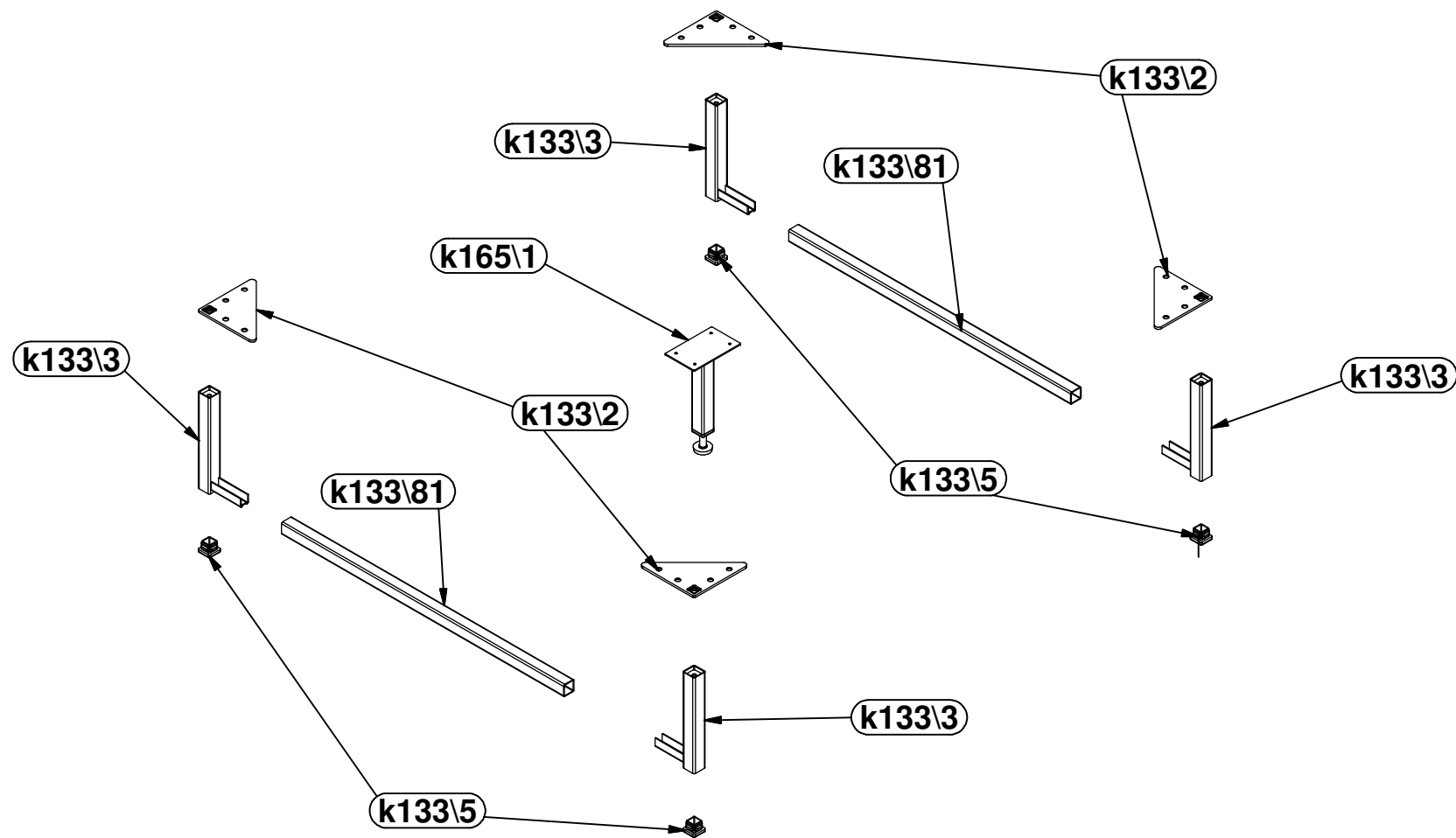
S617-SZF2D/U



H - 1998 mm
W - 901 mm
D - 568 mm

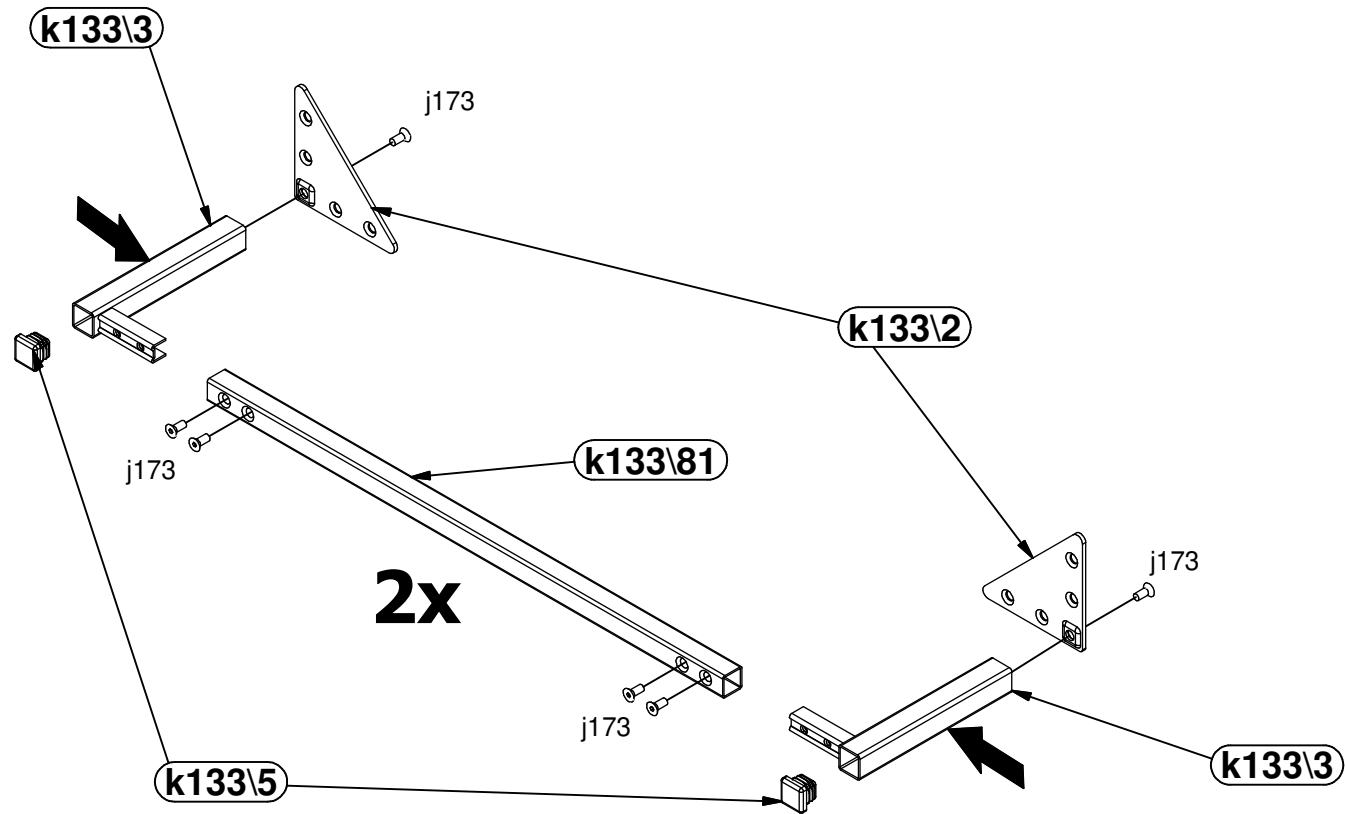








20 min



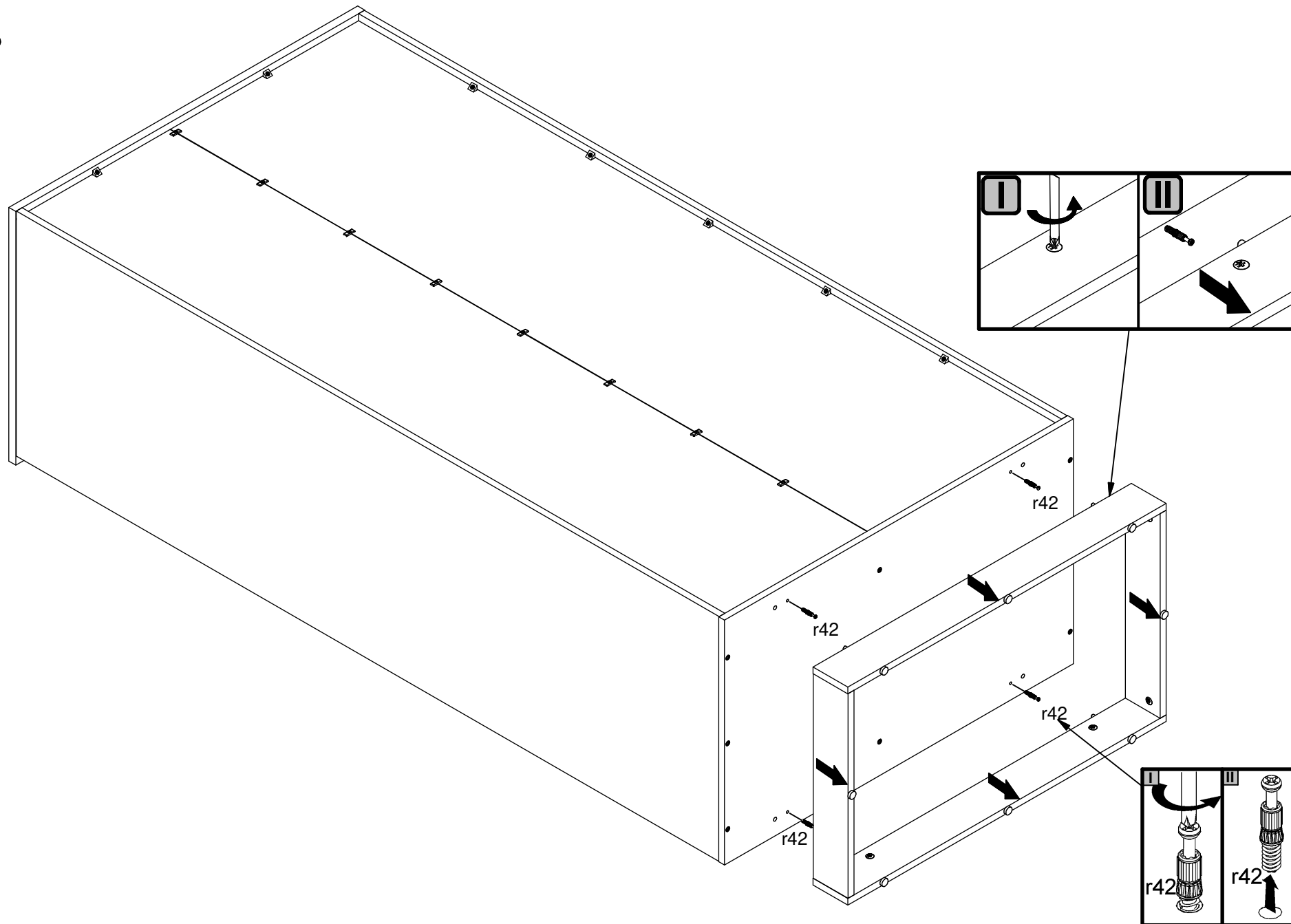
- | | | | | | | | |
|-------------------------|--------------|-----------------------|--------------|-----------------------------------|--------------|------------------------|-------------------|
| 12x
M5x12 mm
j173 | 4x
k133/2 | 4x
20x20
k133/5 | 4x
k133/3 | 2x
L=482mm
18x18
k133/81 | 1x
k165/1 | 20x
Ø4x16 mm
p19 | 1x
3 mm
z22 |
|-------------------------|--------------|-----------------------|--------------|-----------------------------------|--------------|------------------------|-------------------|

1 

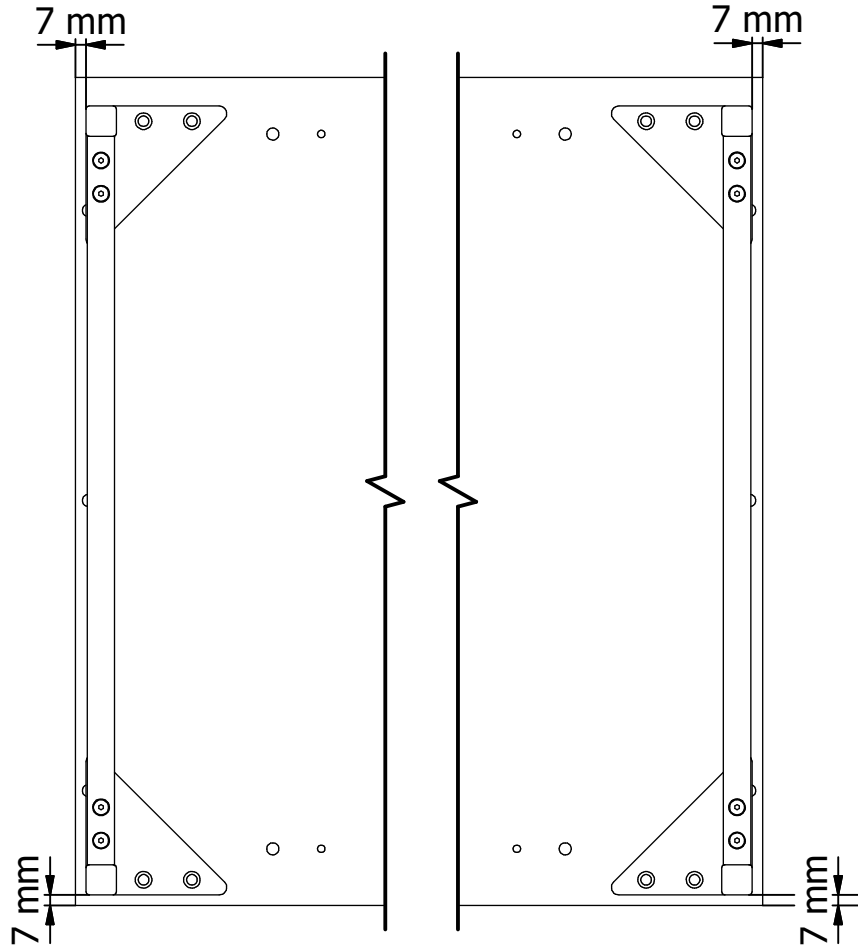


- | | | | | | |
|---|---|---|---|---|---|
| 12x

M5x12 mm j173 | 4x

k133\2 | 4x

20x20 k133\5 | 4x

k133\3 | 2x

L=482mm
18x18 k133\81 | 1x

3 mm z22 |
|---|---|---|---|---|---|

2 

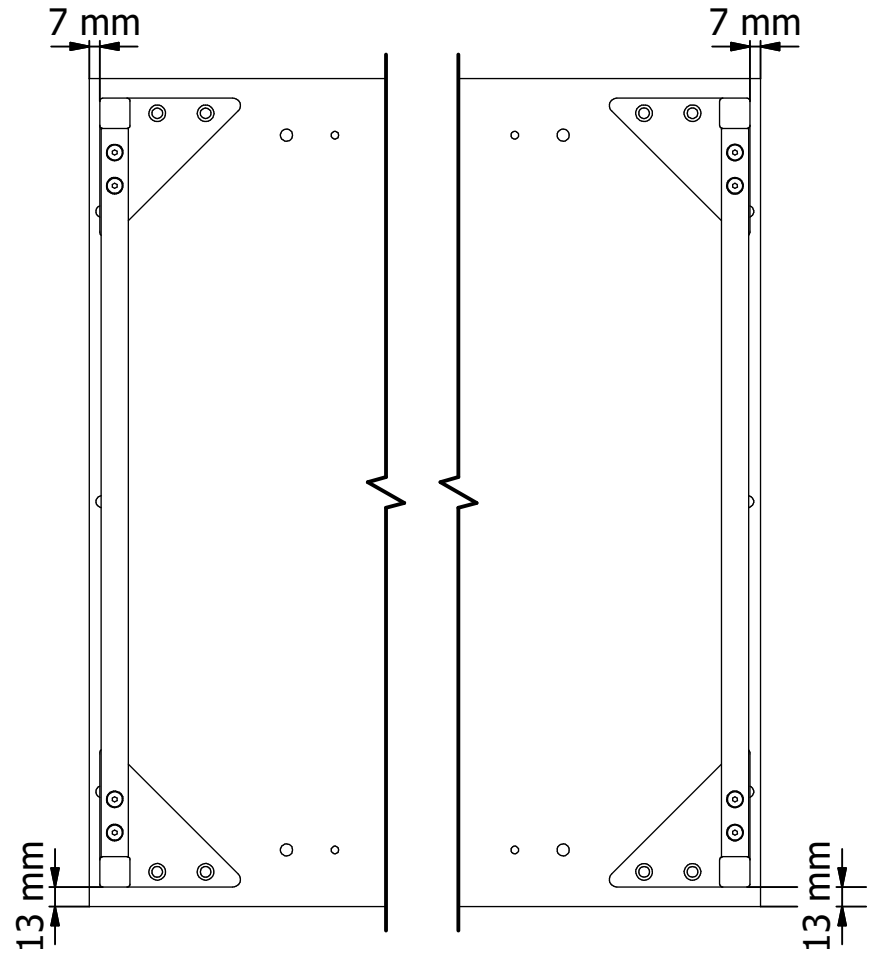


3A



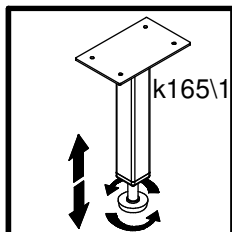
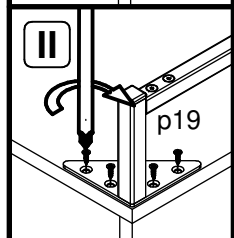
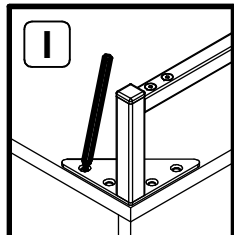
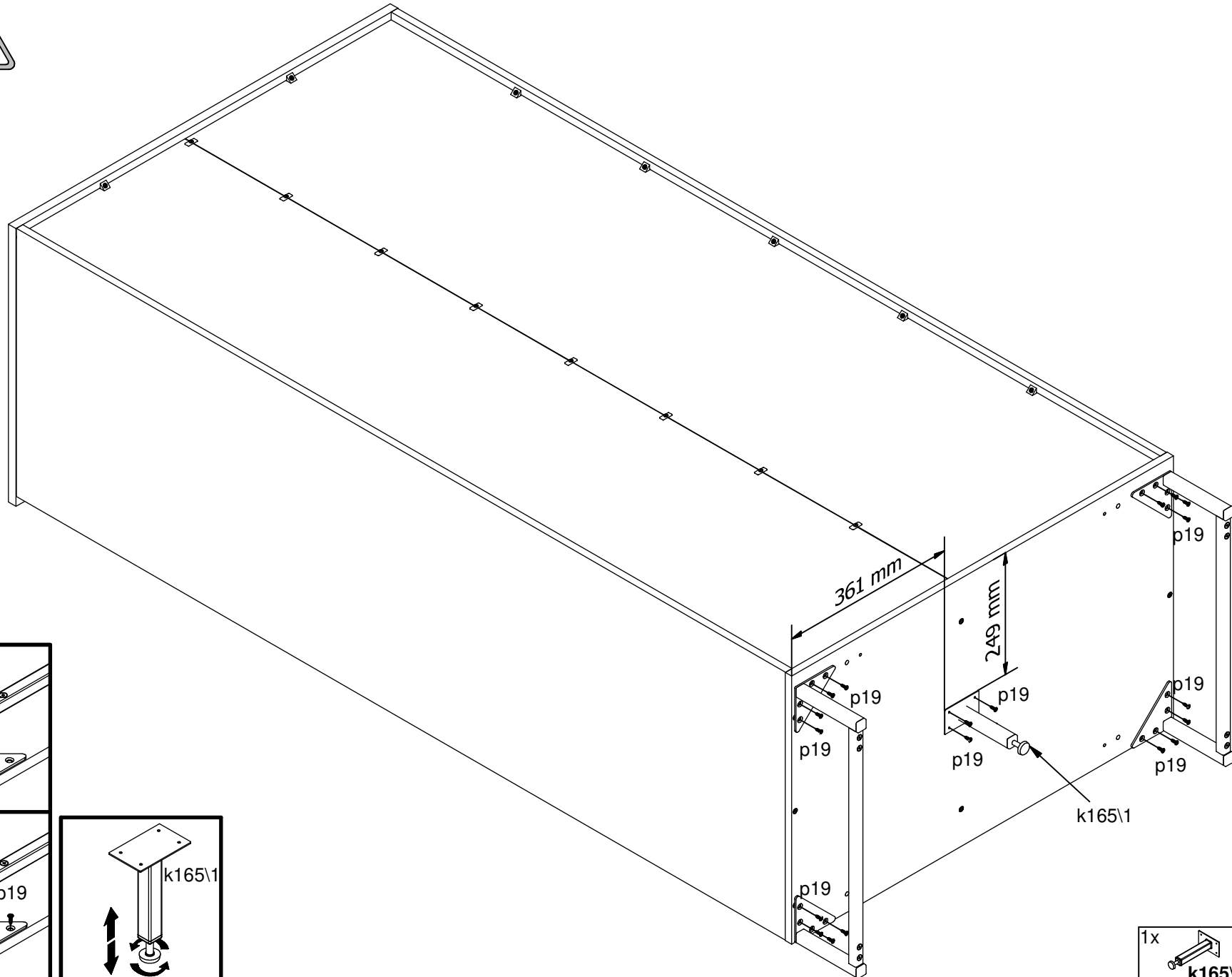
FRONT


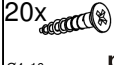
3B



FRONT

4 



- 1x  k165\1
- 20x  p19