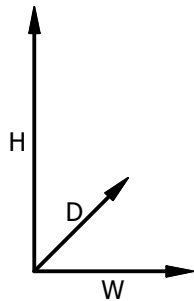
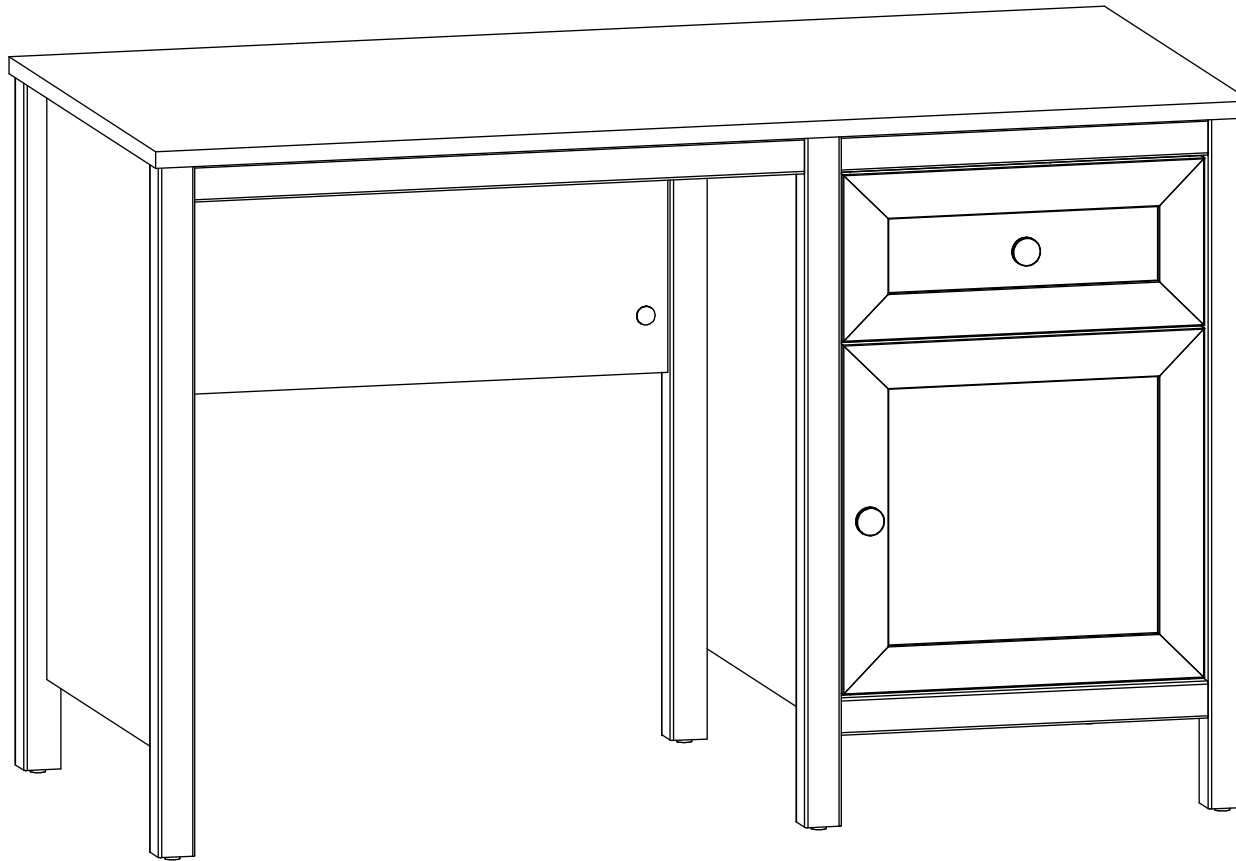
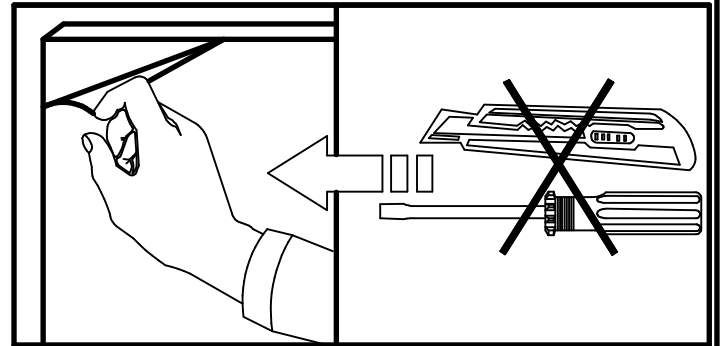
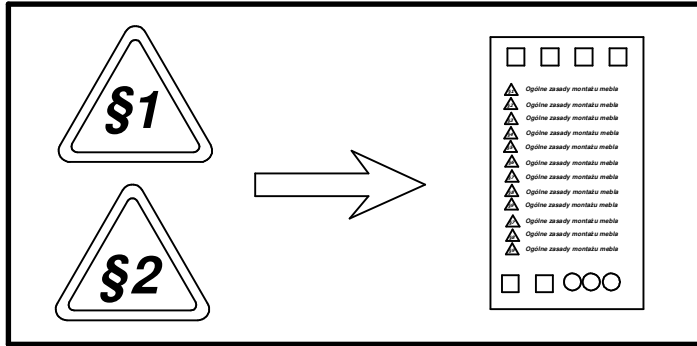
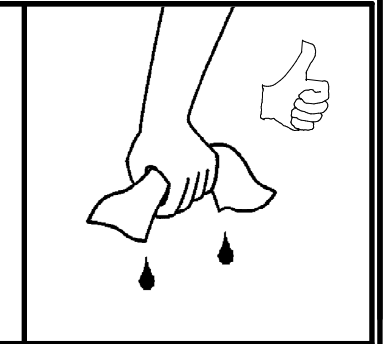
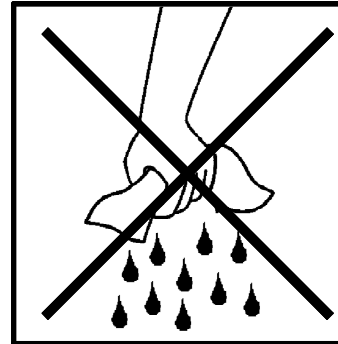
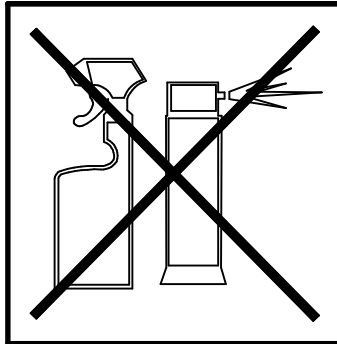
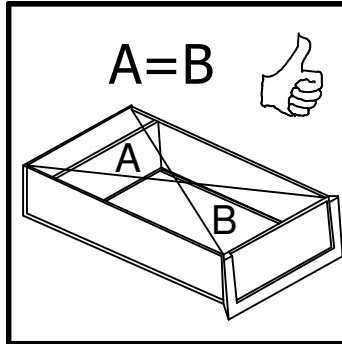
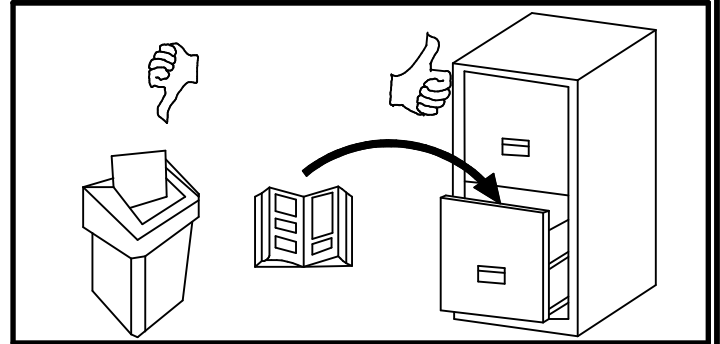
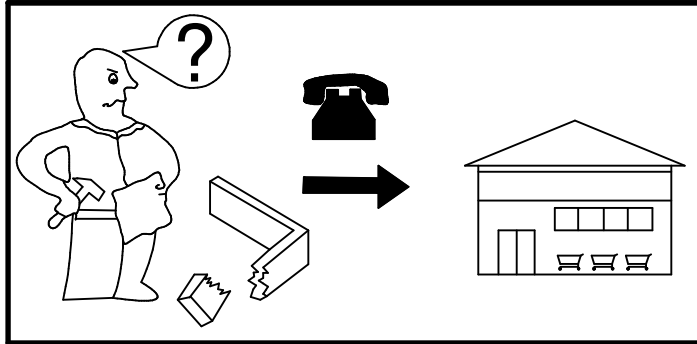
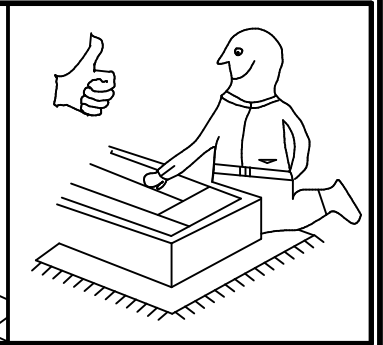
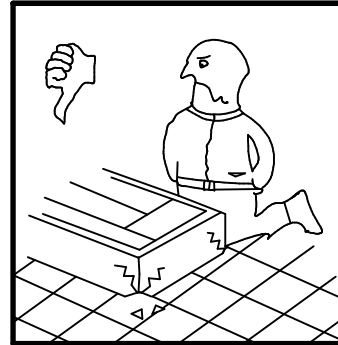
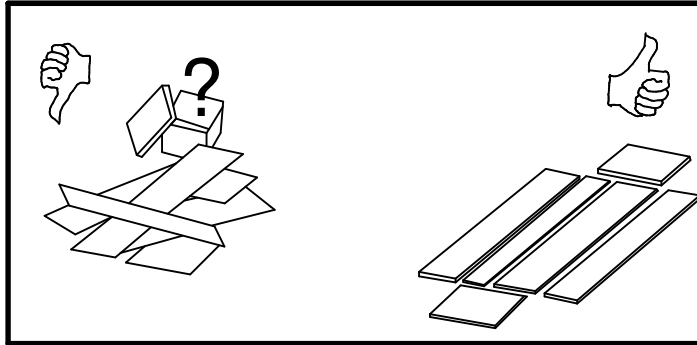
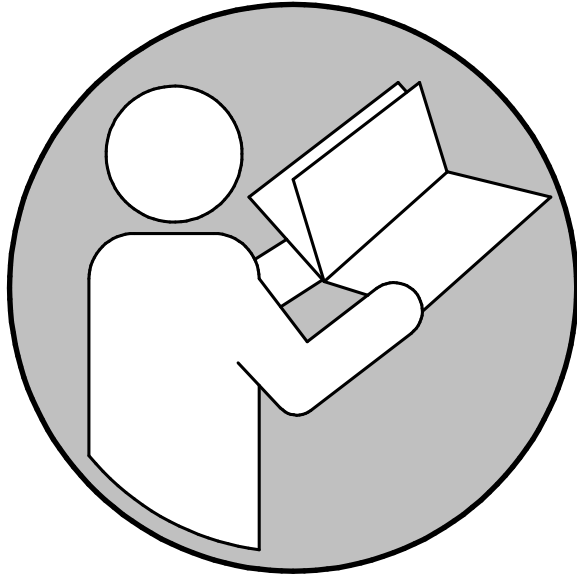


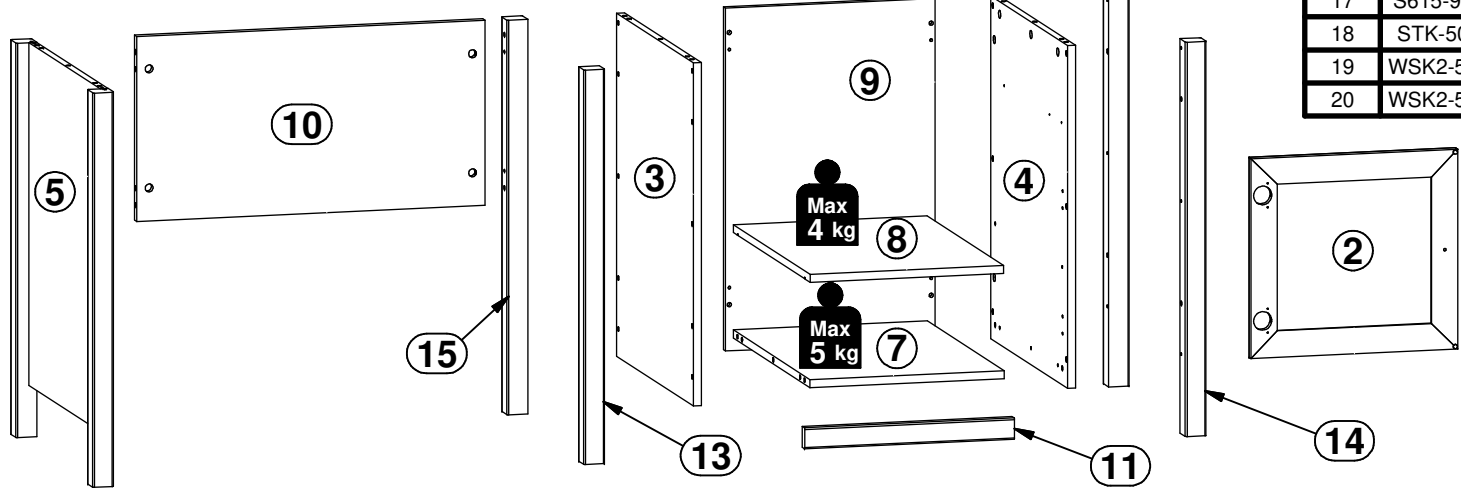
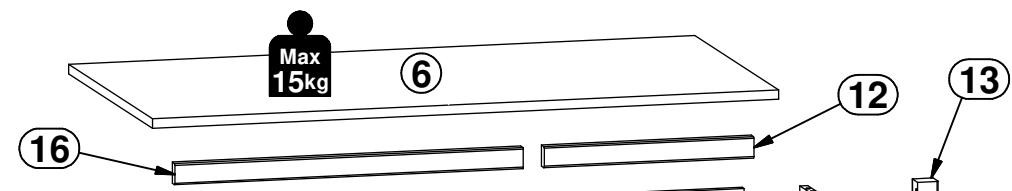
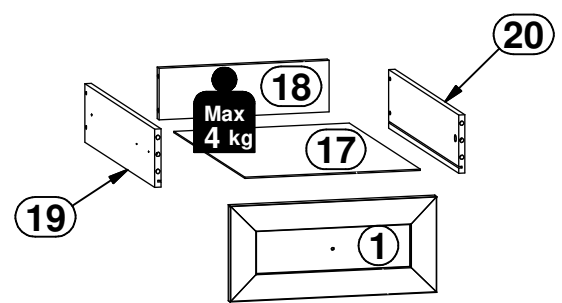
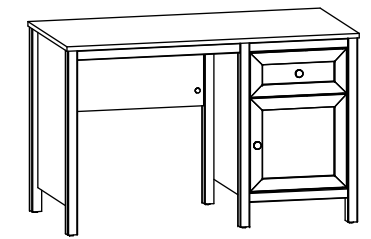
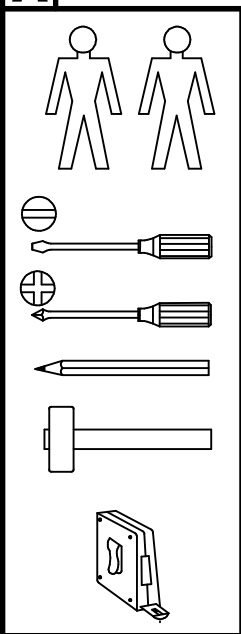
SALGA

S615-BIU1D1S

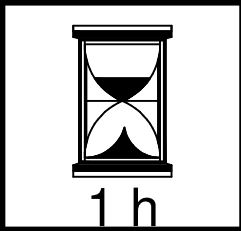


H - 765 mm
W - 1200 mm
D - 600 mm



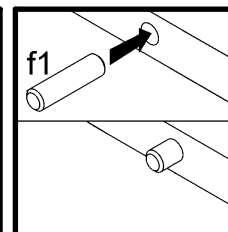
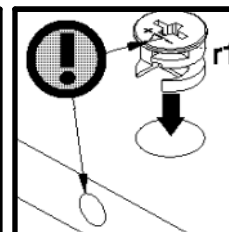
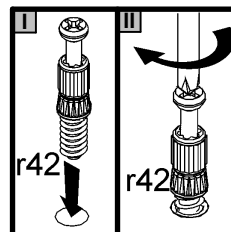
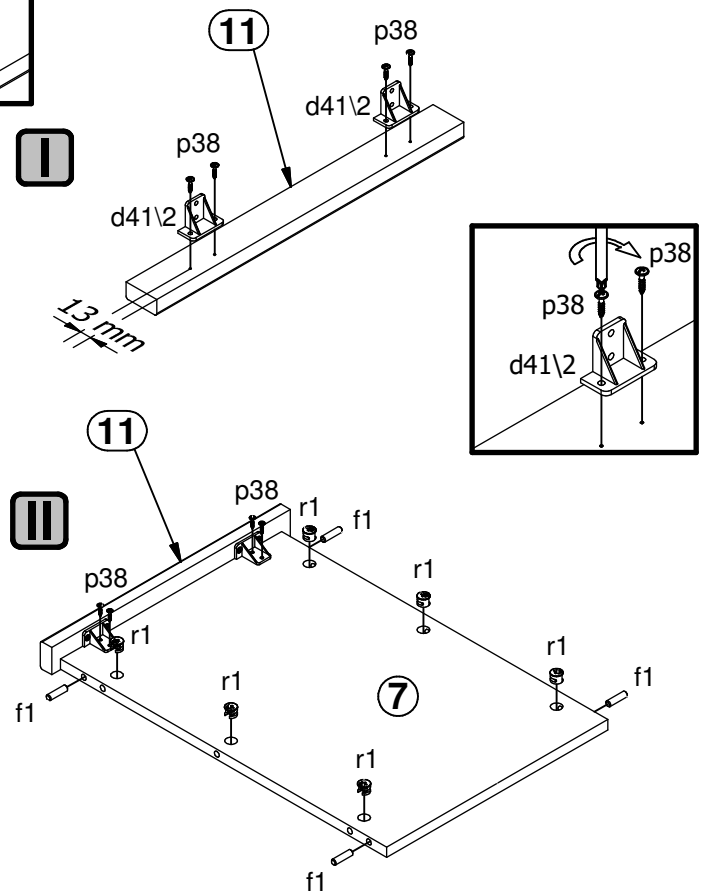
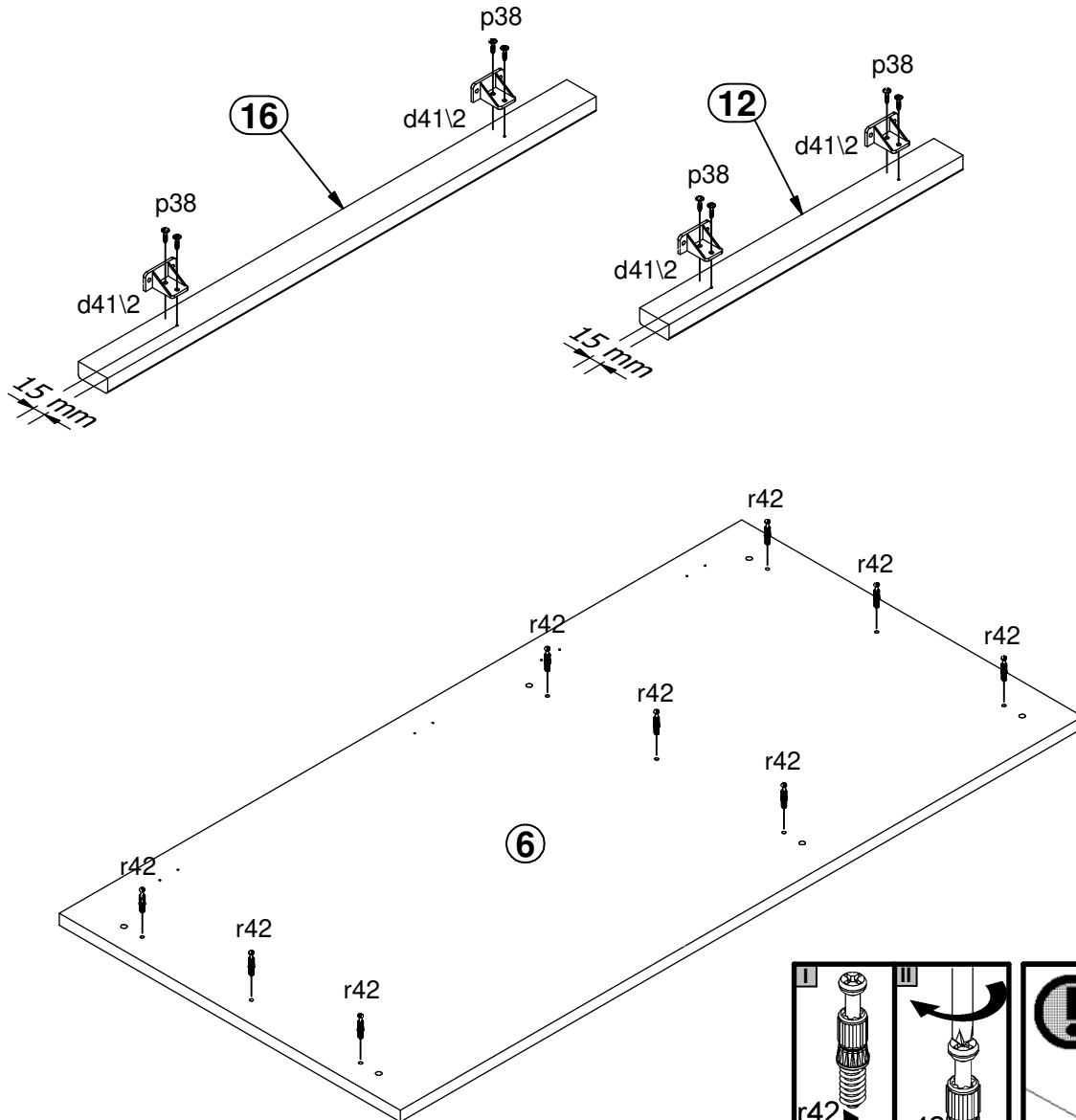
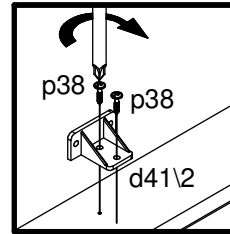



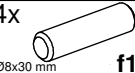


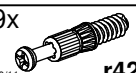
A	B	C (mm)			D
1	S615-0001	396	180	16	2/2
2	S615-0018	376	396	16	2/2
3	S615-1029	645	549	15	1/2
4	S615-1030	645	549	15	1/2
5	S615-1031	742	590	40	2/2
6	S615-2010	1200	600	18	1/2
7	S615-3024	372	549	15	2/2
8	S615-3025	371	548	15	2/2
9	S615-4020	645	402	15	2/2
10	S615-4021	668	348	15	2/2
11	S615-5010	402	40	19	2/2
12	S615-5011	402	40	19	2/2
13	S615-5032	742	40	40	2/2
14	S615-5033	742	40	40	2/2
15	S615-5034	742	40	40	2/2
16	S615-5035	668	40	19	2/2
17	S615-9018	336	507	2,5	2/2
18	STK-5005	326	97	15	2/2
19	WSK2-5011	500	110	12	2/2
20	WSK2-5012	500	110	12	2/2



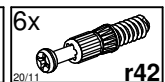
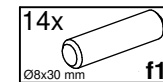
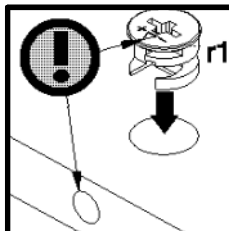
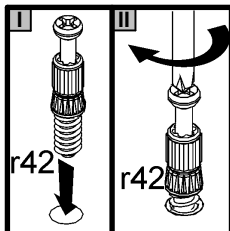
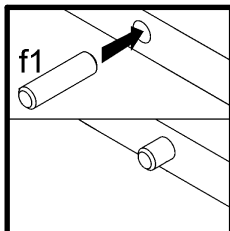
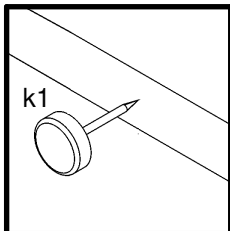
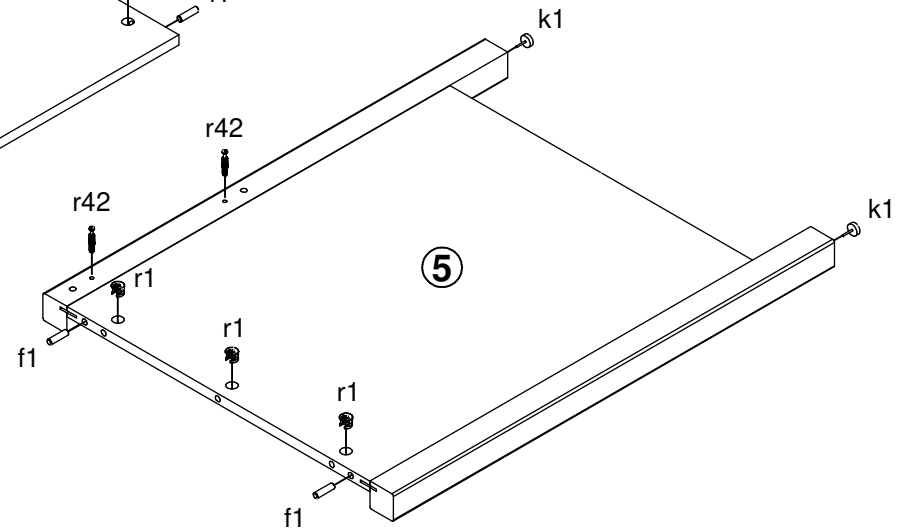
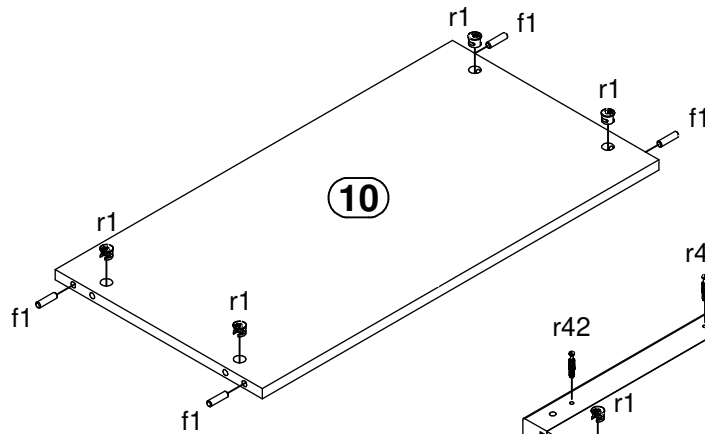
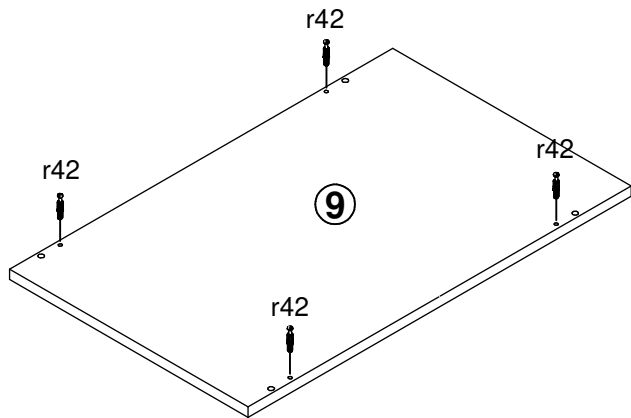
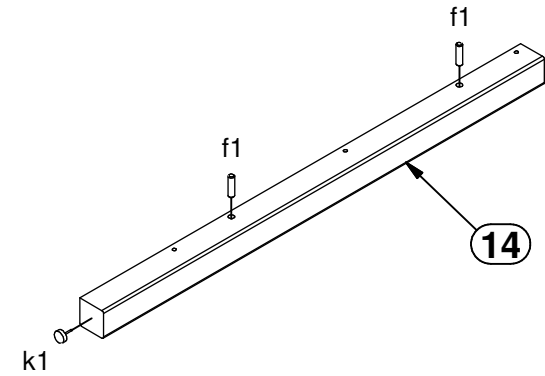
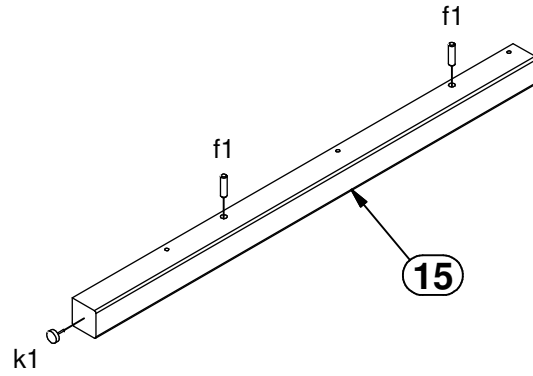
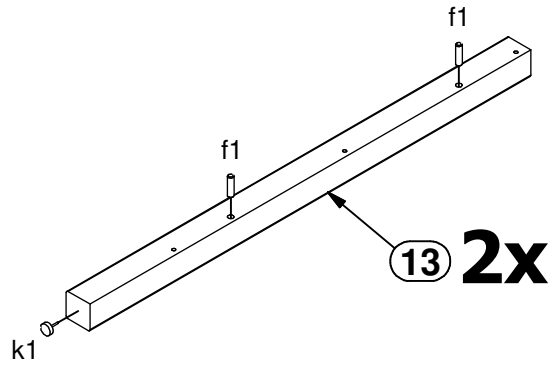
2x a83	2x b32	2x c601	4x d1	cm 0 1 2 3 4 5 6 7 8 9 10						6x d412	12x e11	30x f1	<table border="1"><tr><td>D</td></tr><tr><td>2/2</td></tr></table>	D	2/2
D															
2/2															
4x f25	1x j1	1x j125	6x k1	4x o21	12x p140	28x p38	4x p51	23x r1	2x r15	25x r42	8x s59	9x s68			
2x w165\1	2x w165\2	1x z1													

1  

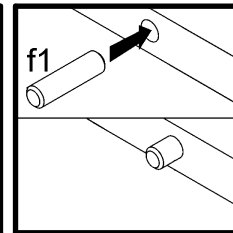
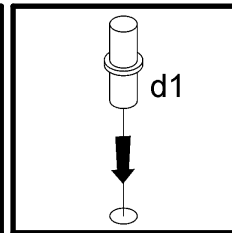
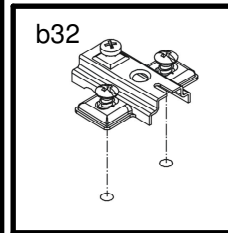
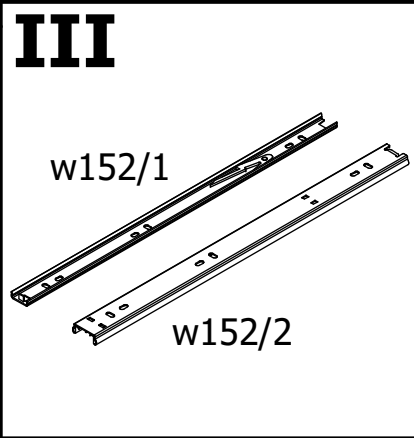
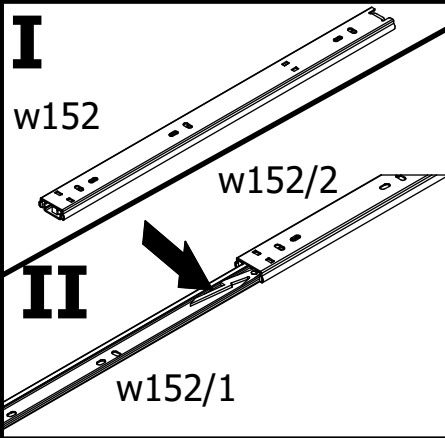
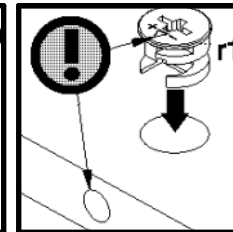
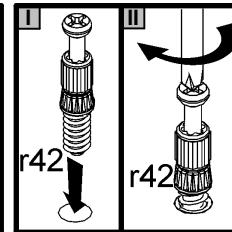
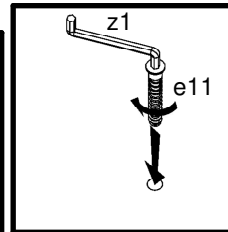
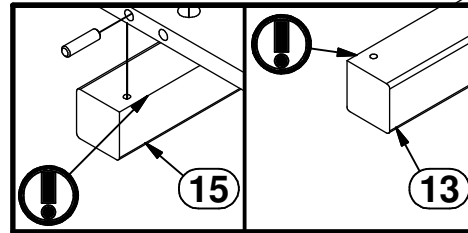
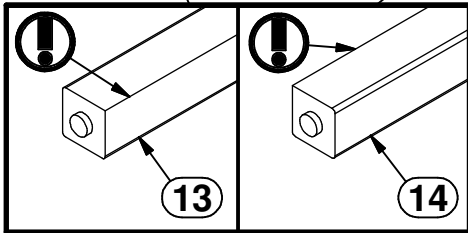
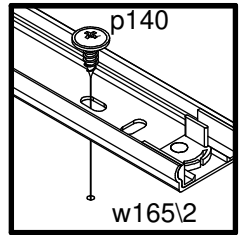
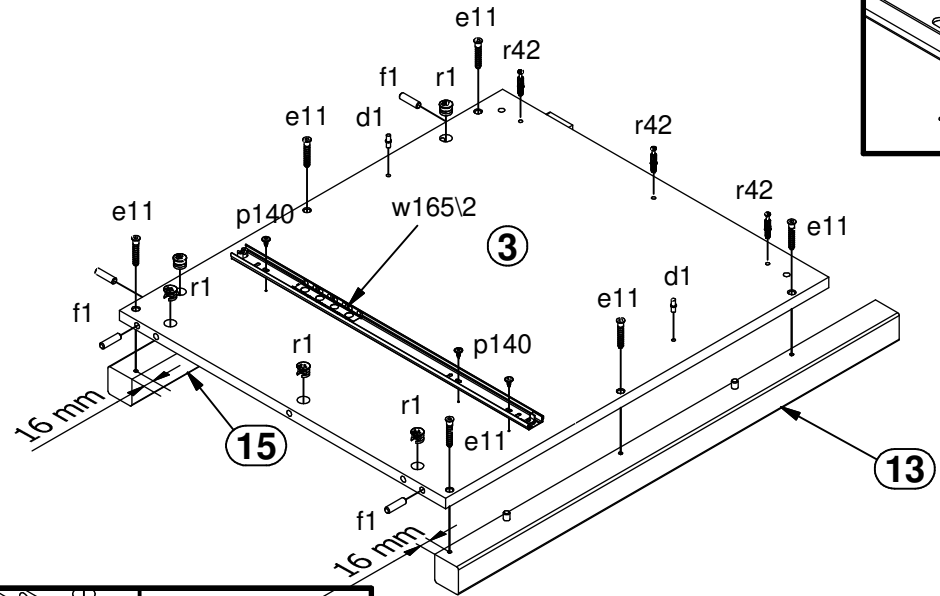
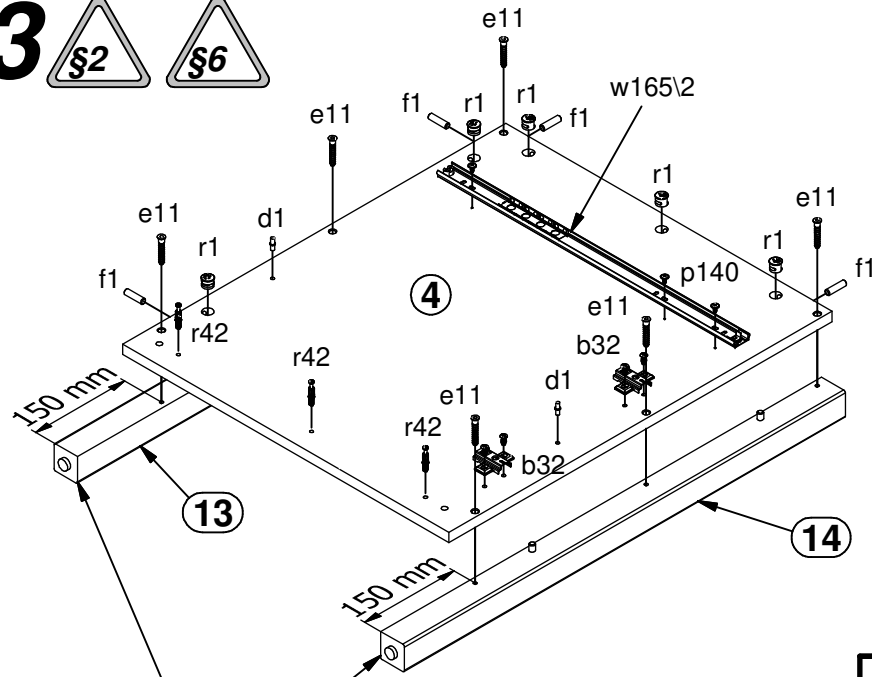


6x  d41/2	4x  f1
16x  p38 Ø3.5x16 mm	6x  r1 Ø15x12 mm #16
9x  r42 20/11	

2 

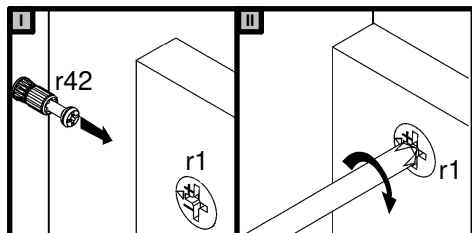
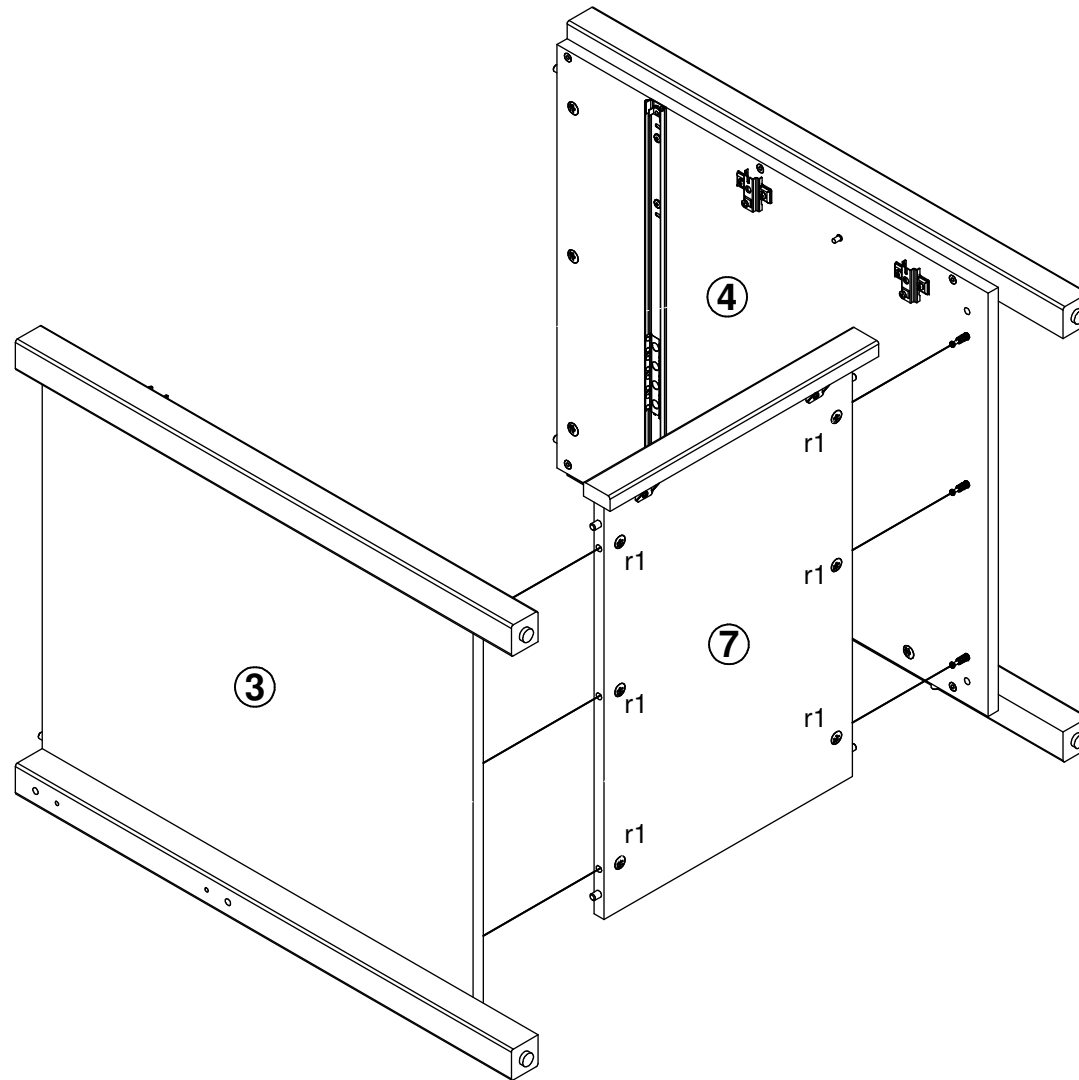


3  

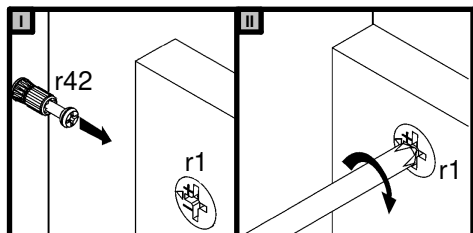
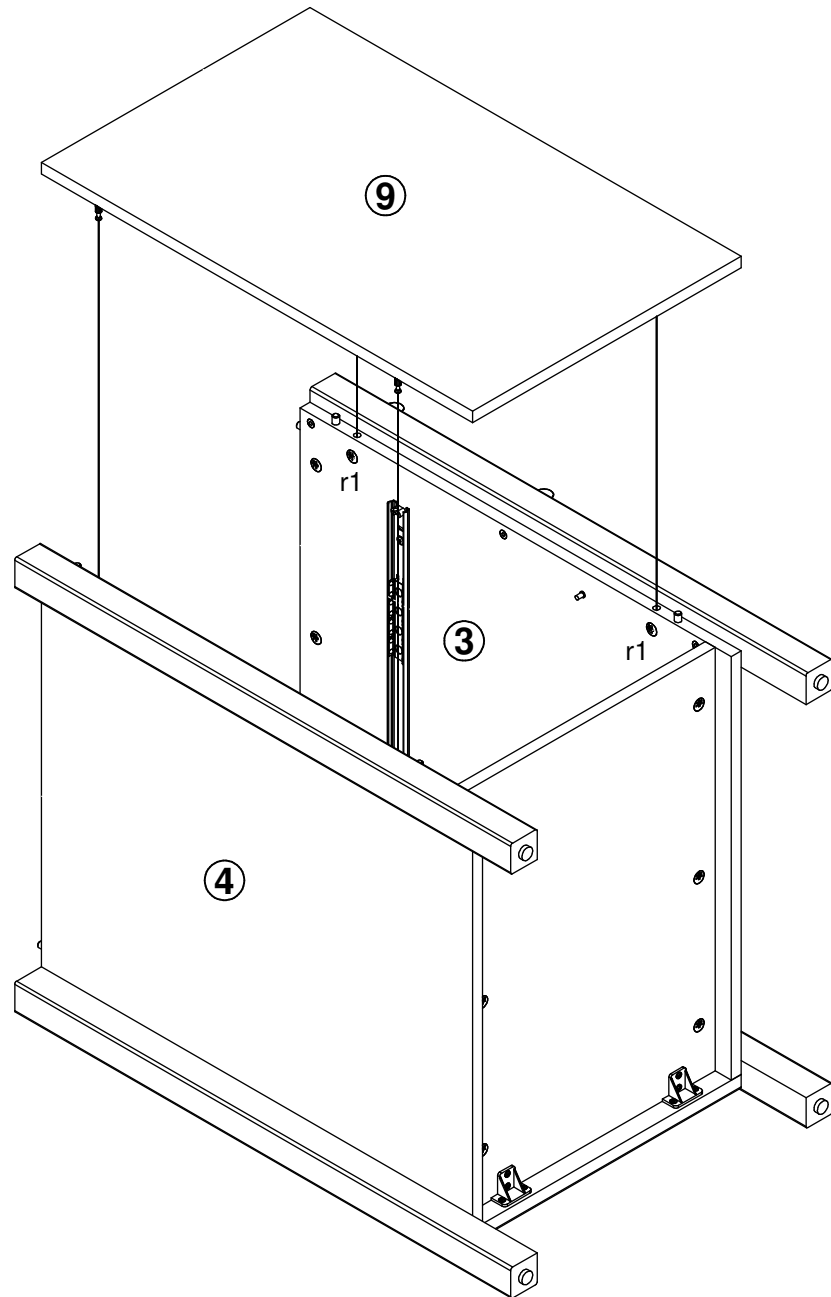


2x  b32	4x  d1 Ø5x17 mm	12x  e11 Ø7x40 mm
8x  f1 Ø8x30 mm	6x  p140 Ø3.5x12 mm	10x  r1 Ø15x12 mm #16
6x  r42 500/820 mm	2x  w165\2 500/820 mm	1x  z1 4 mm

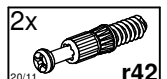
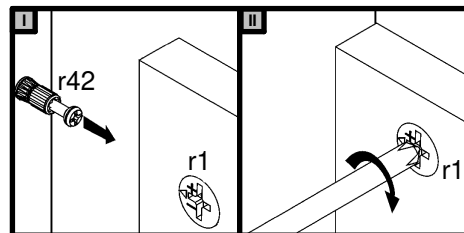
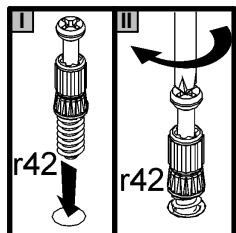
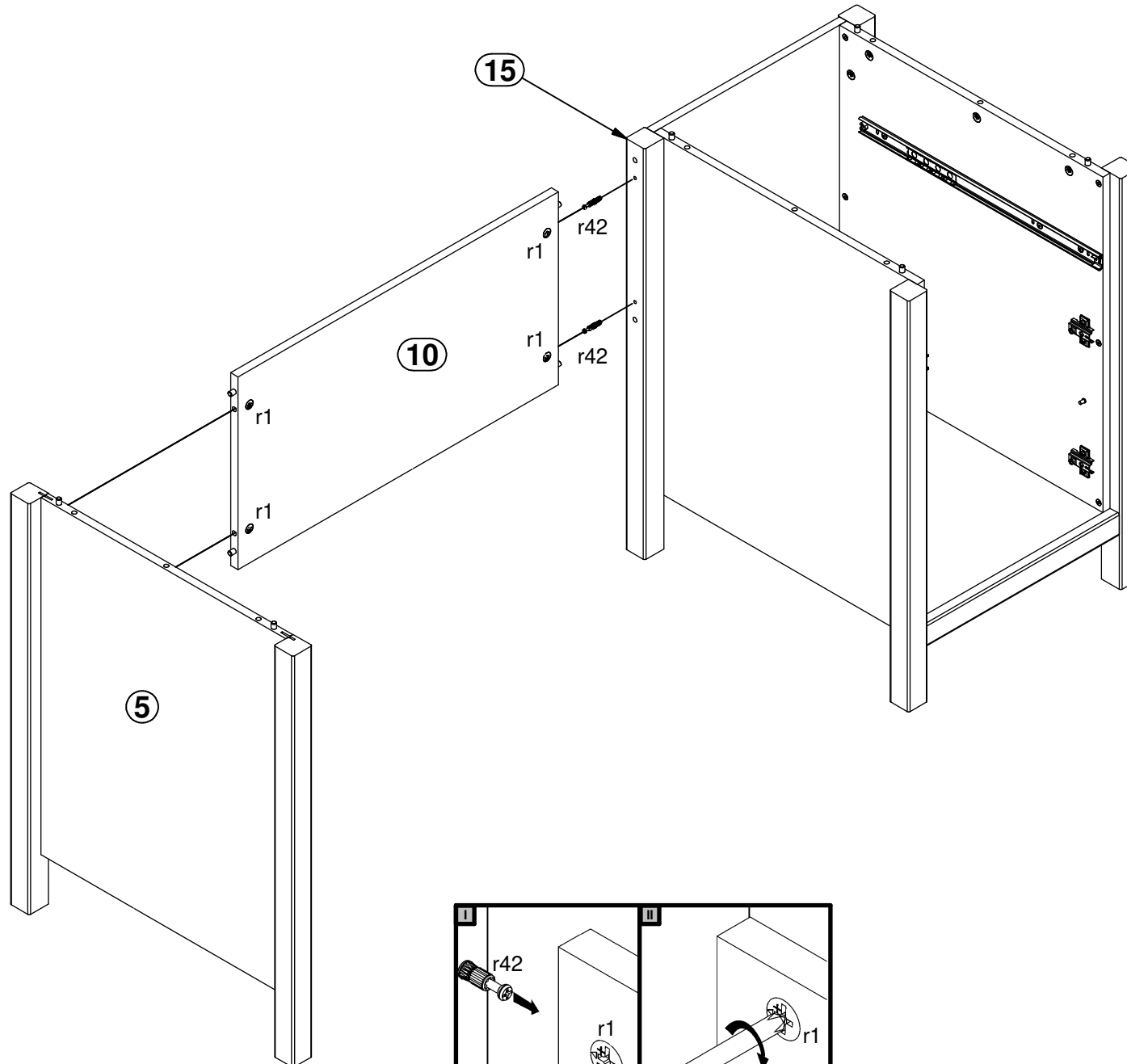
4 



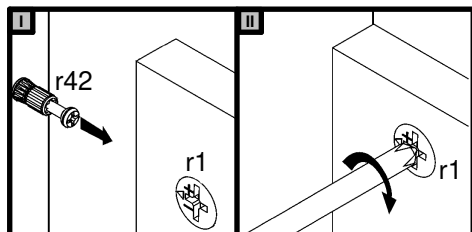
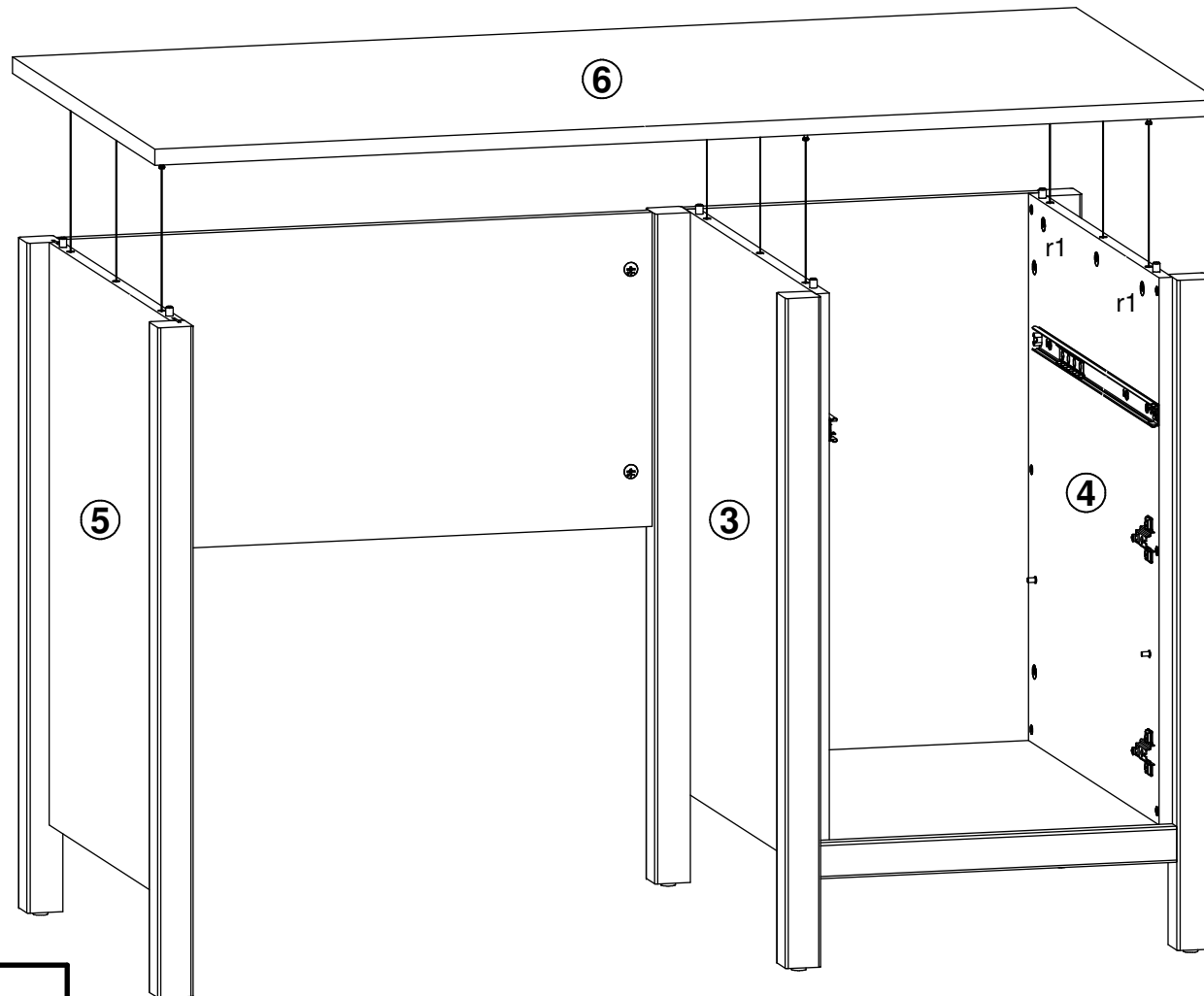
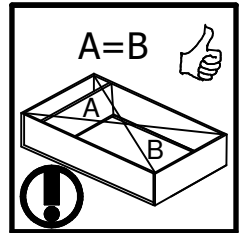
5 



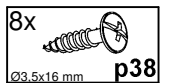
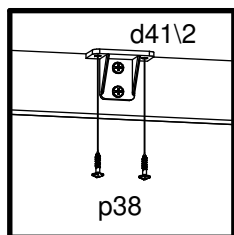
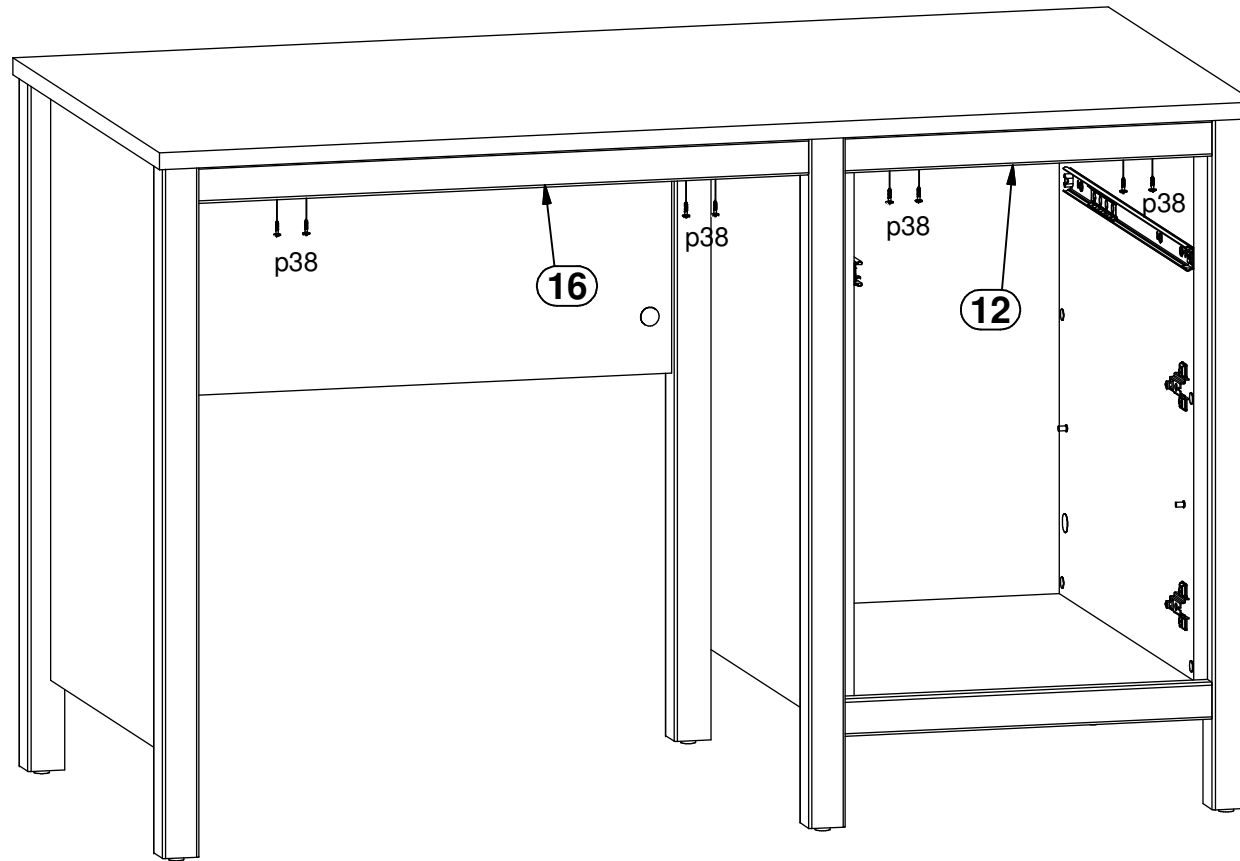
6 



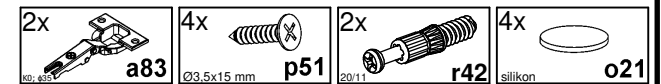
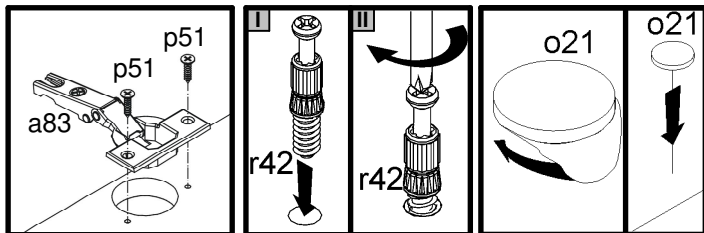
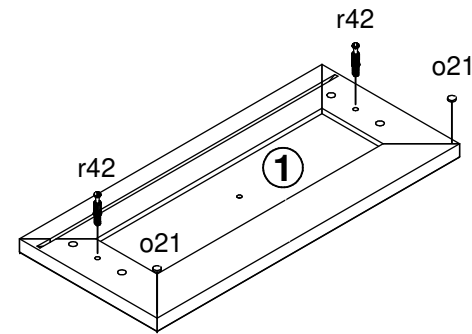
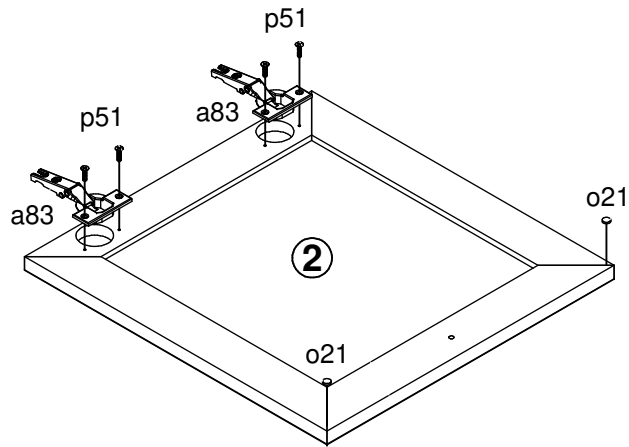
7 



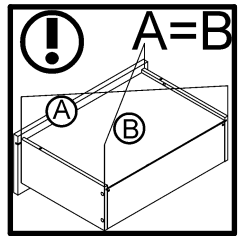
8 



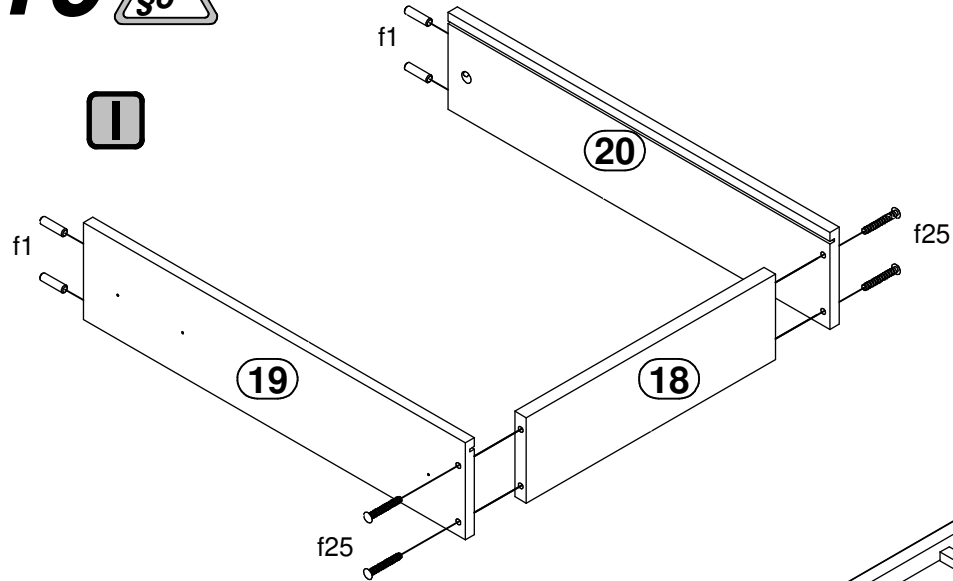
9 



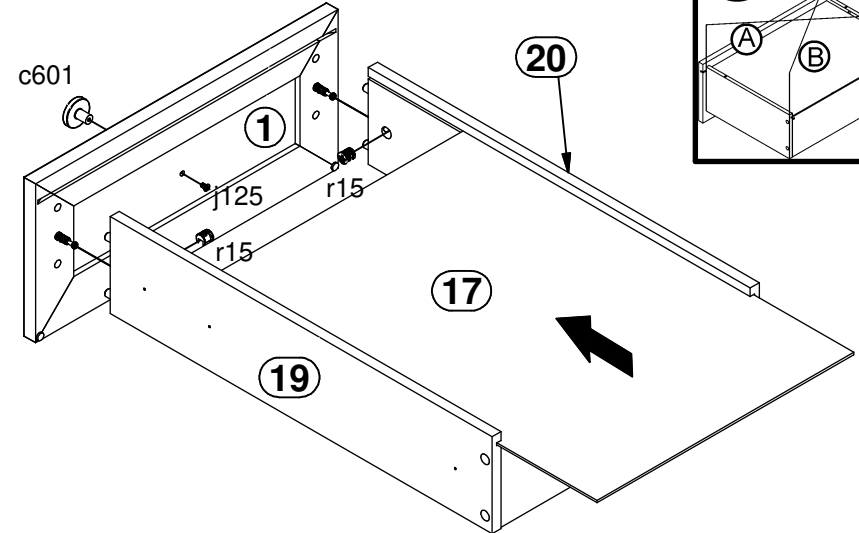
10



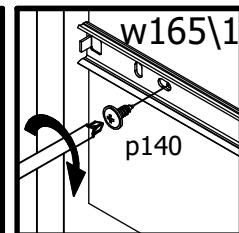
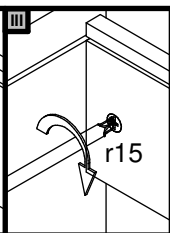
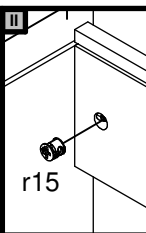
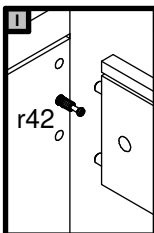
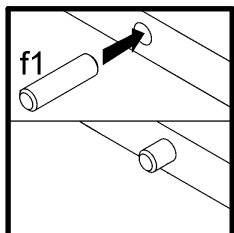
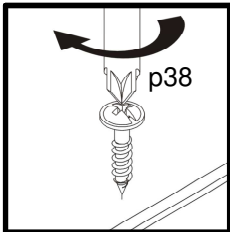
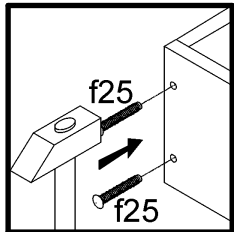
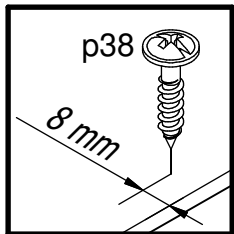
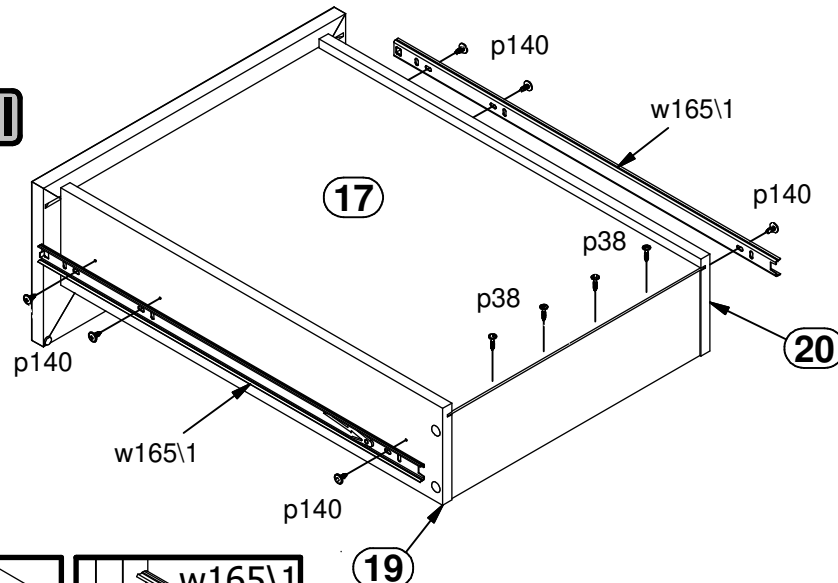
I



III

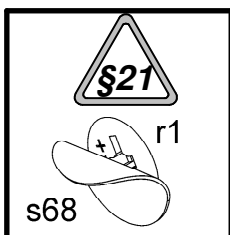
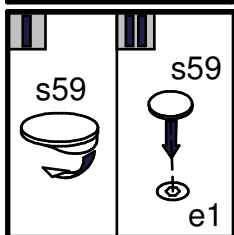
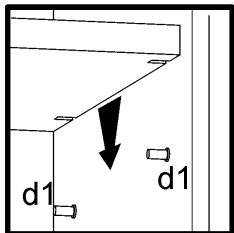
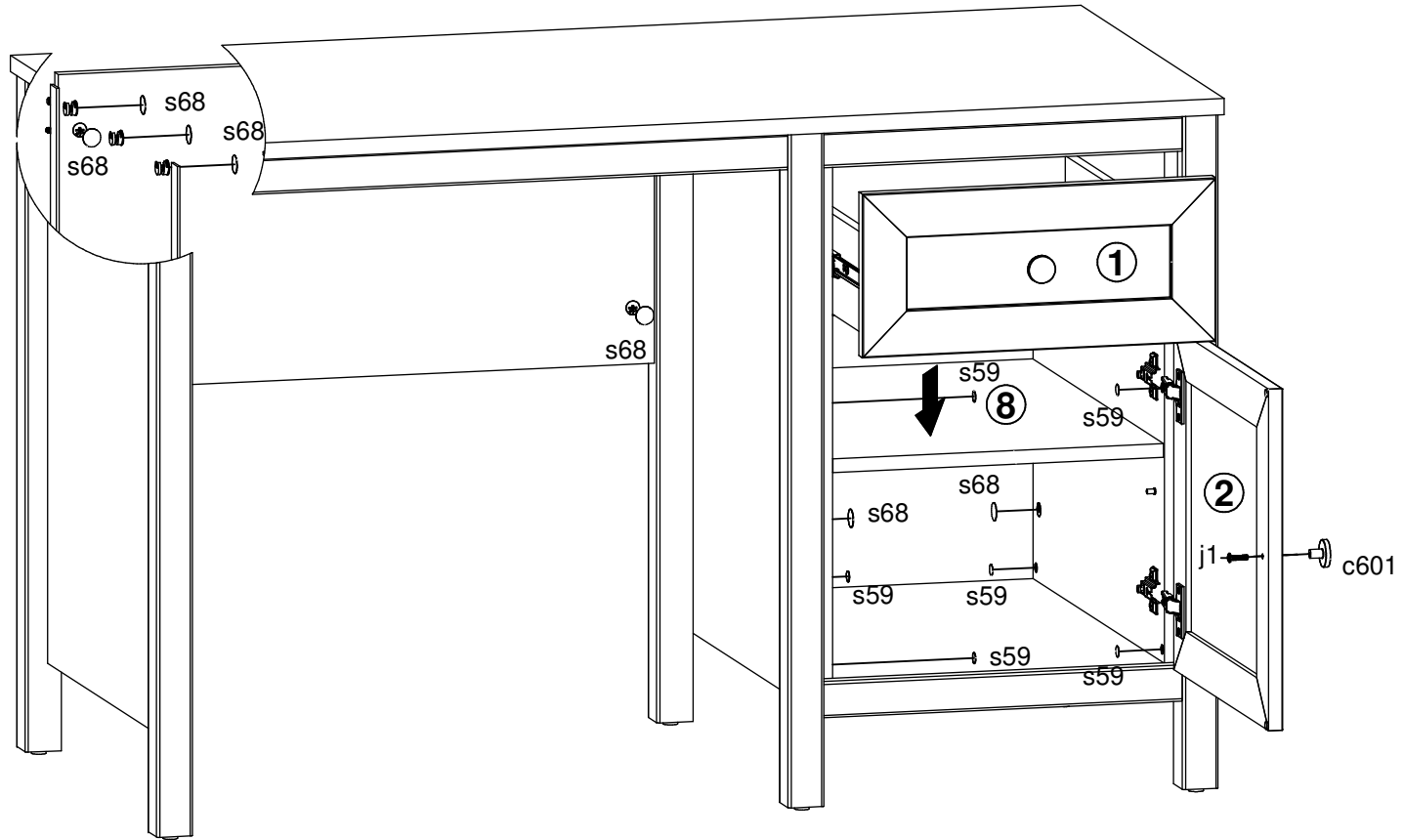






III



1x c601	4x f1	4x f25
1x j125	4x p38	6x p140
2x r15	2x w165\1	

11 



- | | | | |
|--|---|---|---|
| 1x  c601 | 1x  s59
M4x20 mm | 8x  s59
Ø14x0,5 mm | 9x  s68
Ø 20mm |
|--|---|---|---|

12

