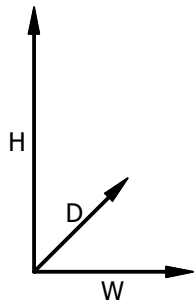
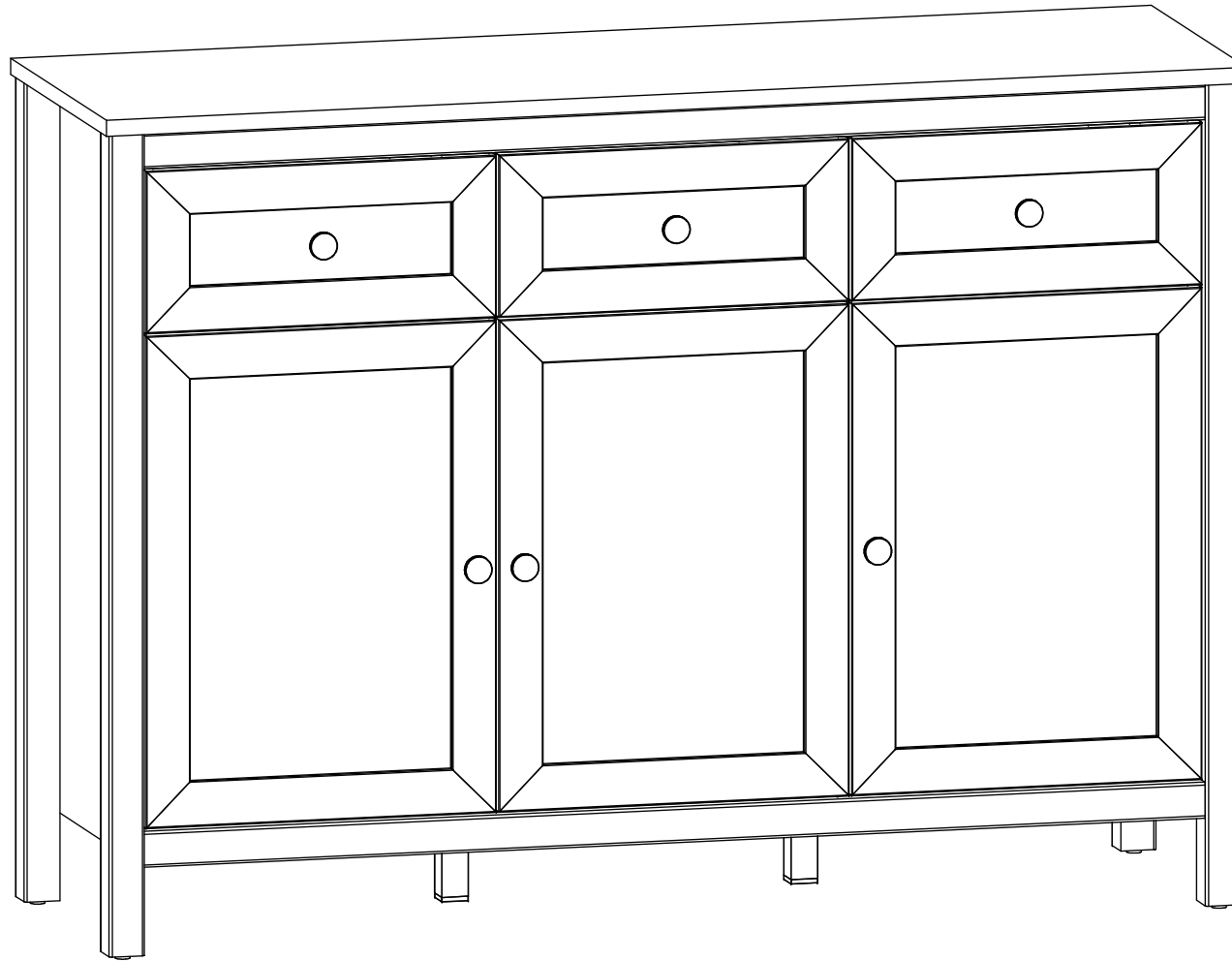
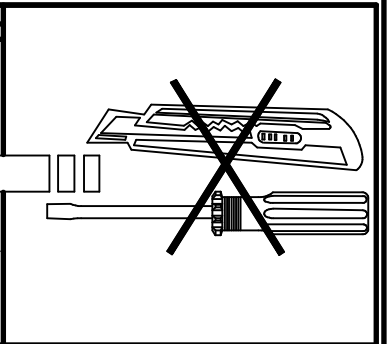
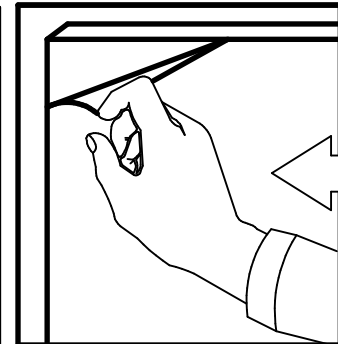
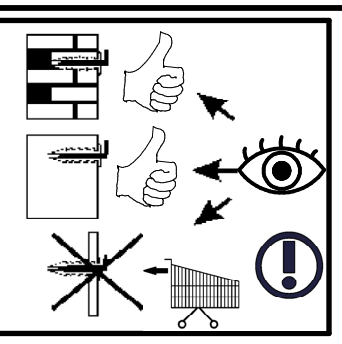
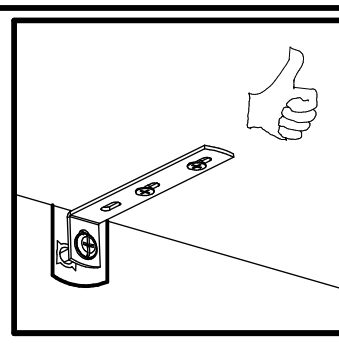
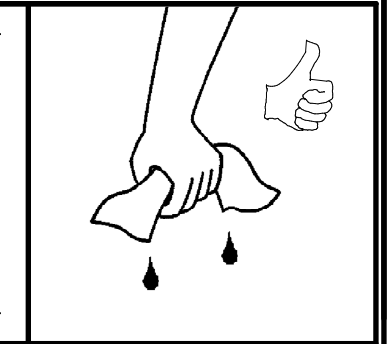
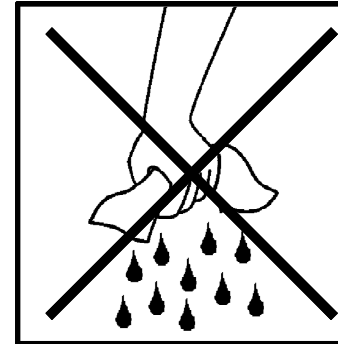
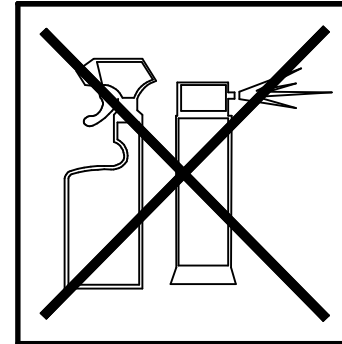
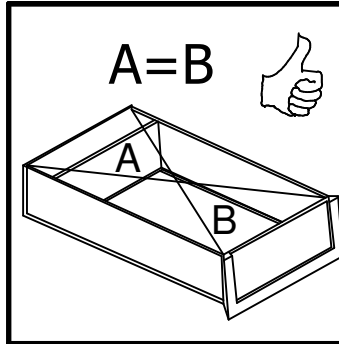
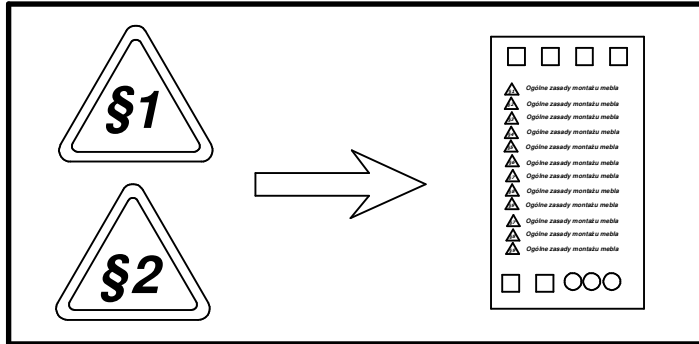
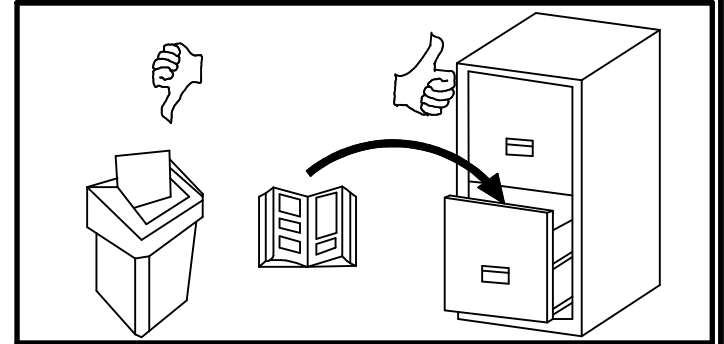
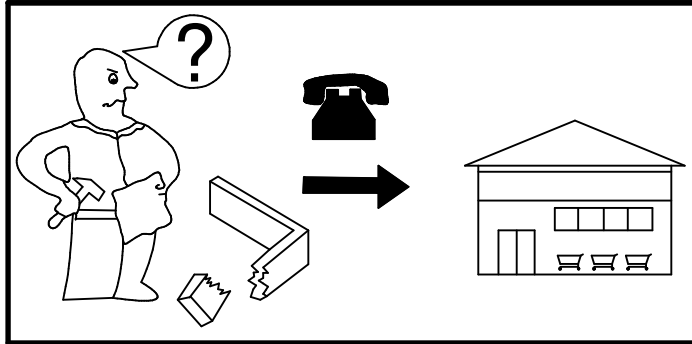
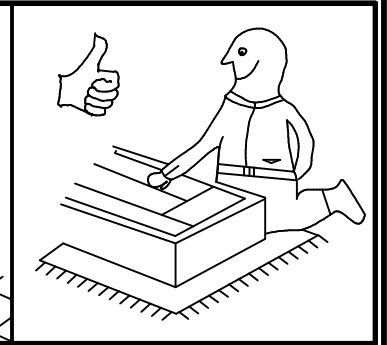
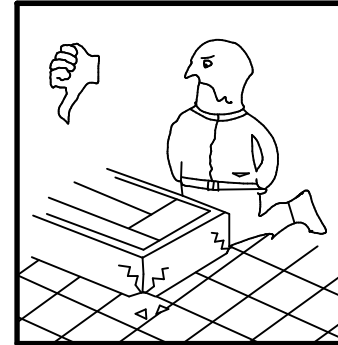
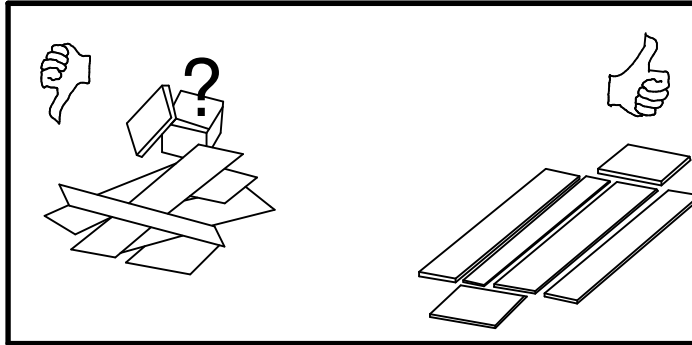
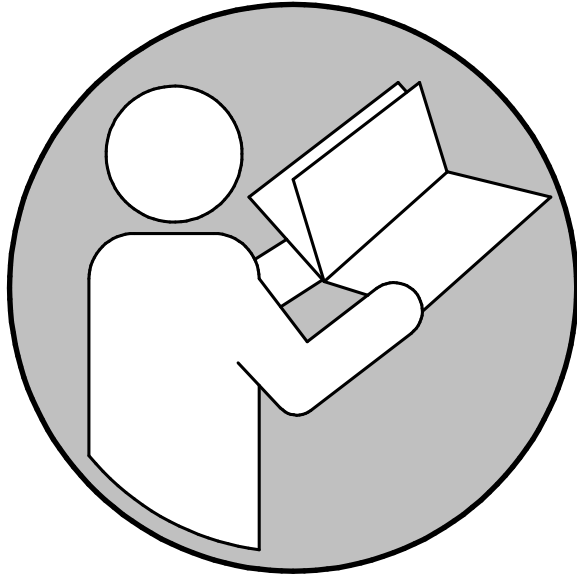


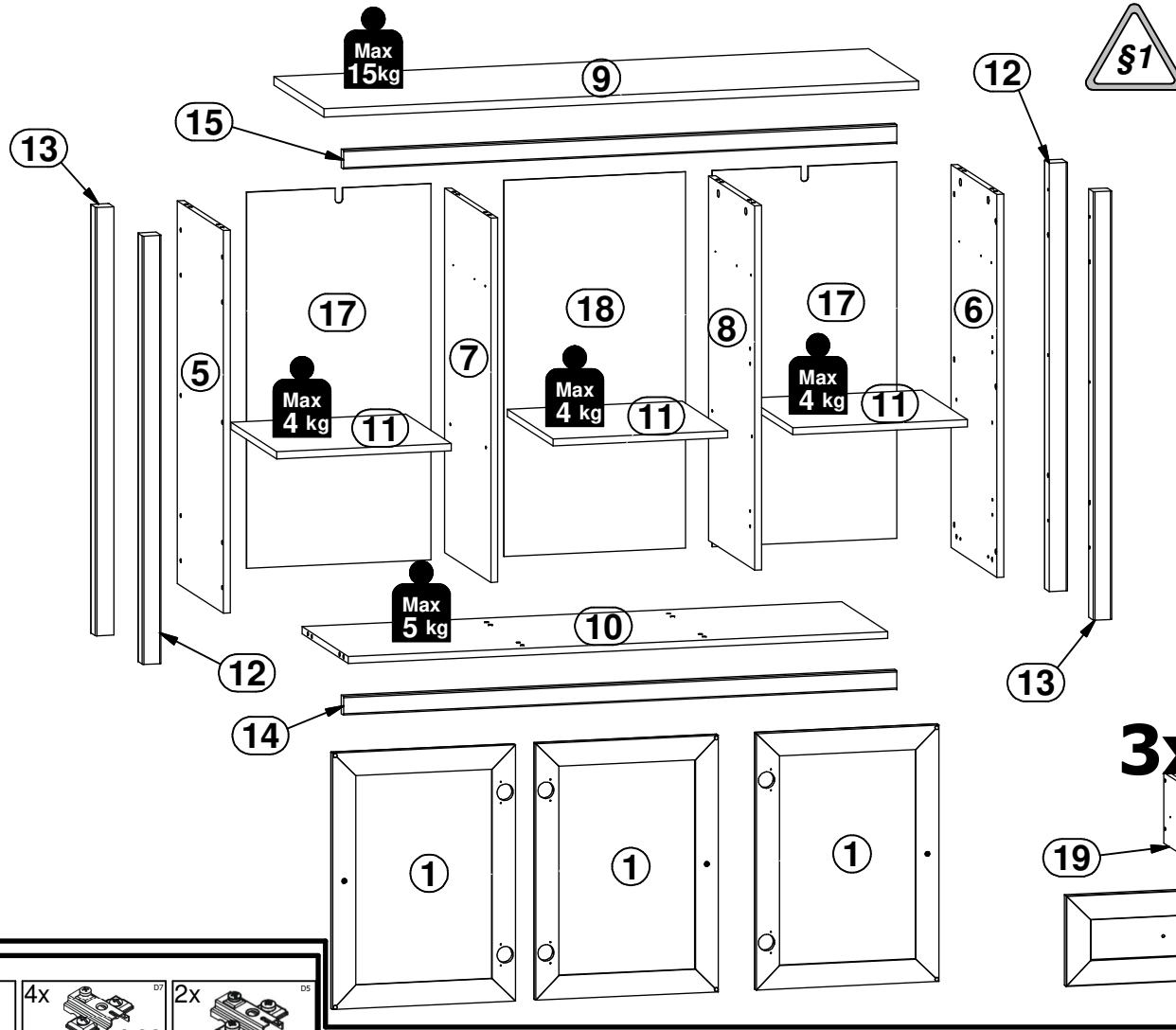
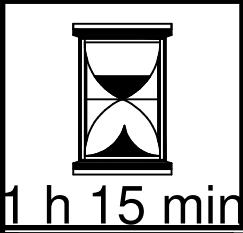
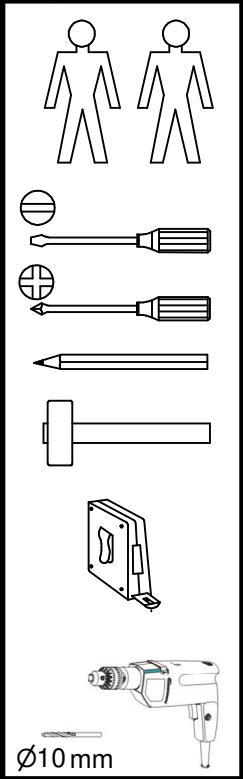
SALGA

S615-KOM3D3S

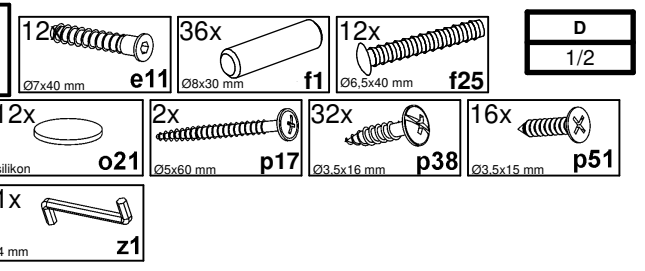
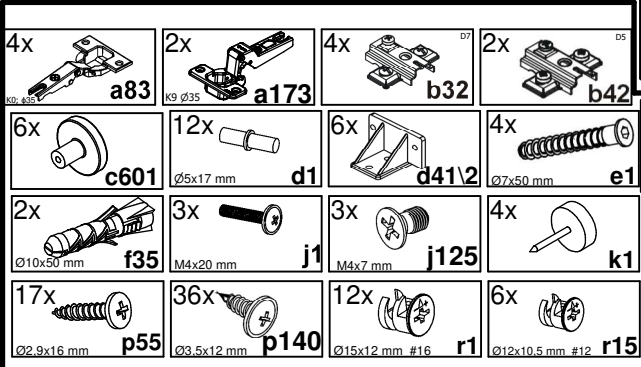
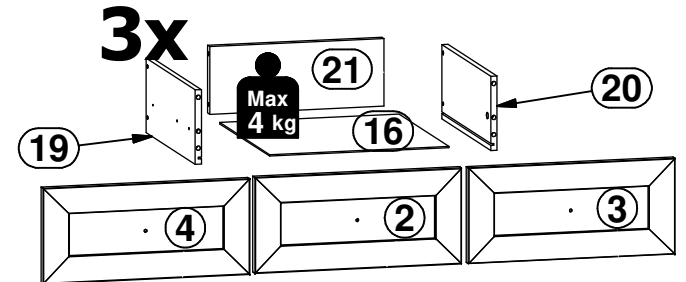


H - 935 mm
W - 1290 mm
D - 404 mm

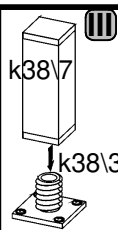
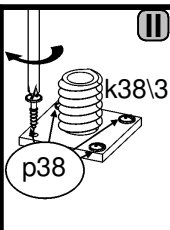
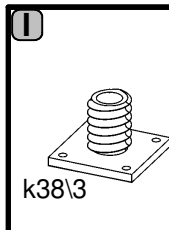
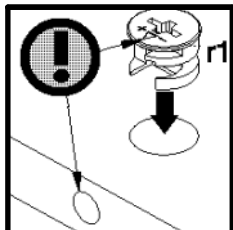
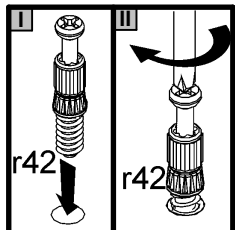
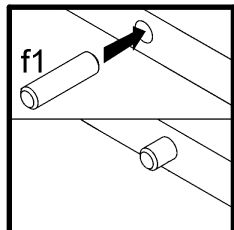
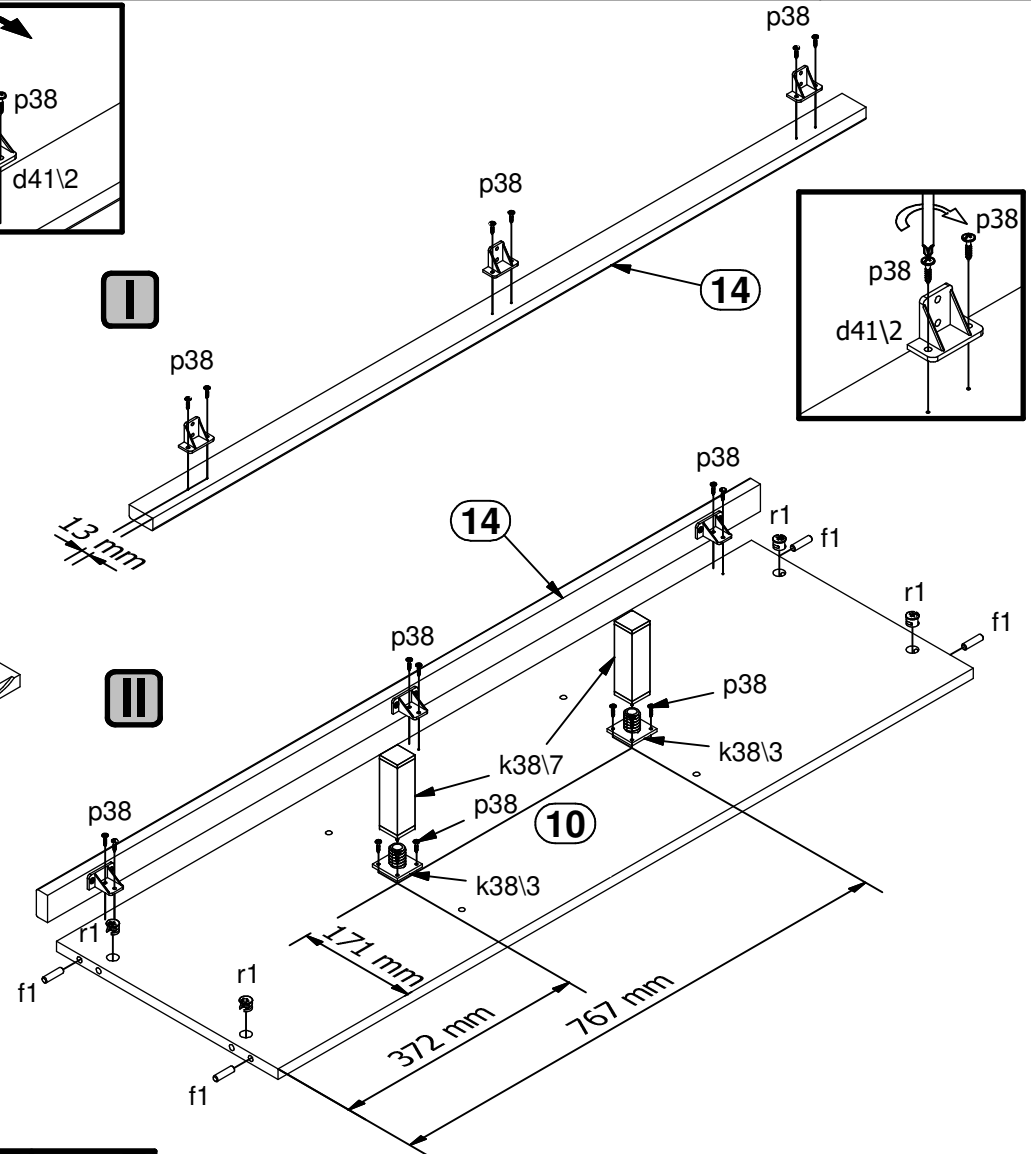
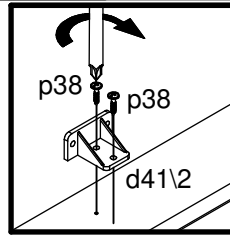
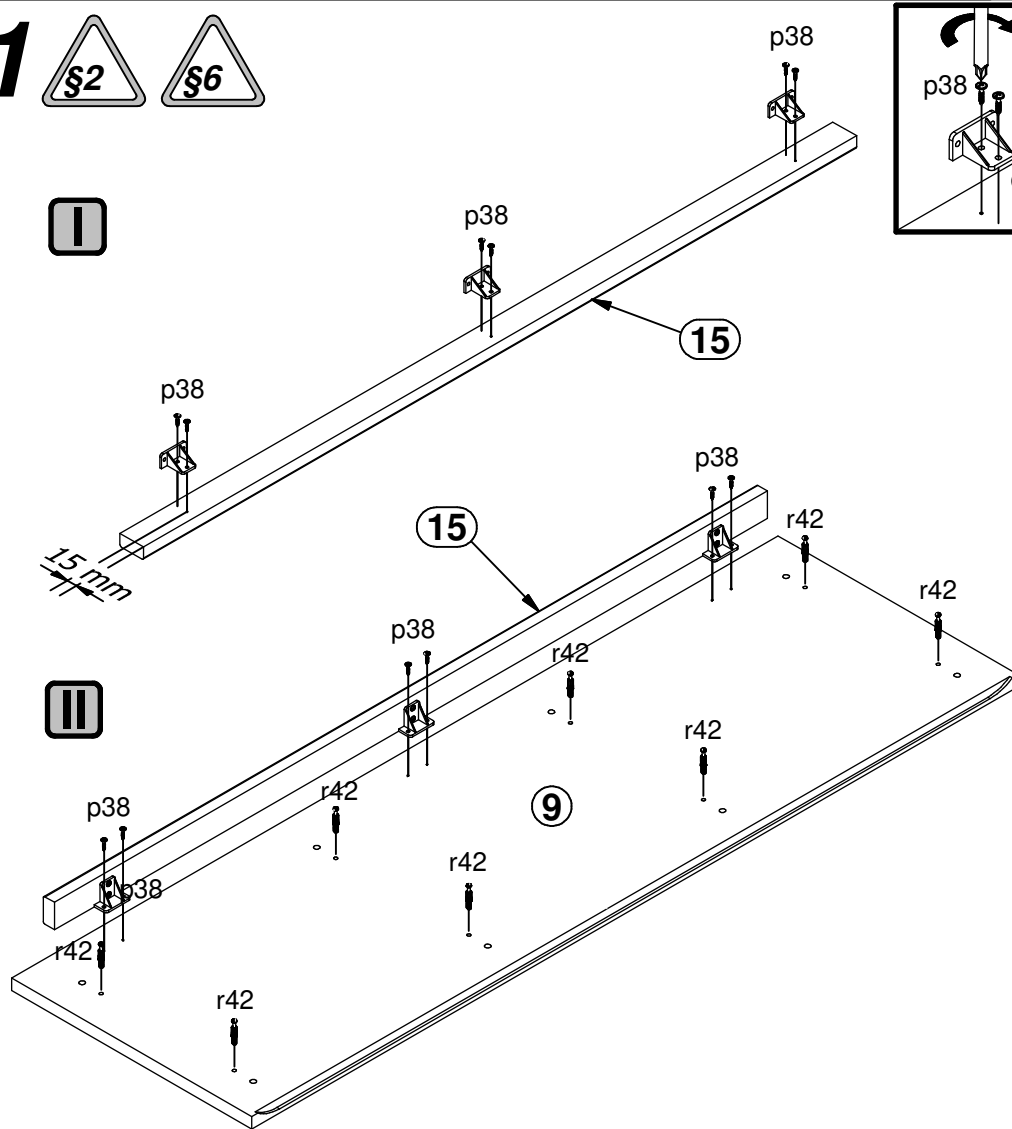



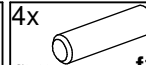


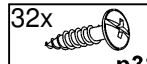

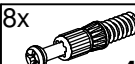


A	B	C (mm)			D
1	S615-0003	546	396	16	1/2
2	S615-0004	396	180	16	1/2
3	S615-0005	396	180	16	1/2
4	S615-0006	396	180	16	1/2
5	S615-1007	815	373	15	1/2
6	S615-1008	815	373	15	1/2
7	S615-1009	776	373	15	1/2
8	S615-1010	776	373	15	1/2
9	S615-2003	1290	404	18	2/2
10	S615-3005	1170	373	15	2/2
11	S615-3006	379	370	15	2/2
12	S615-5013	912	40	40	2/2
13	S615-5014	912	40	40	2/2
14	S615-5018	1200	40	19	2/2
15	S615-5019	1200	40	19	2/2
16	S615-9007	344	357	2,5	2/2
17	S615-9008	801	400	2,5	2/2
18	S615-9009	801	394	2,5	2/2
19	WSK3-5005	350	140	12	2/2
20	WSK3-5006	350	140	12	2/2
21	STK-5004	334	127	15	2/2

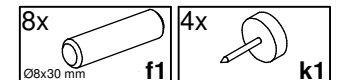
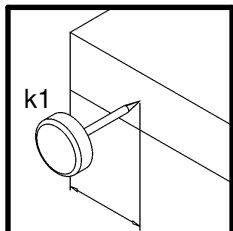
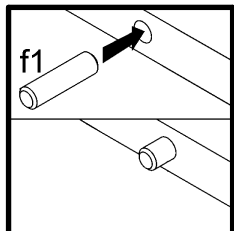
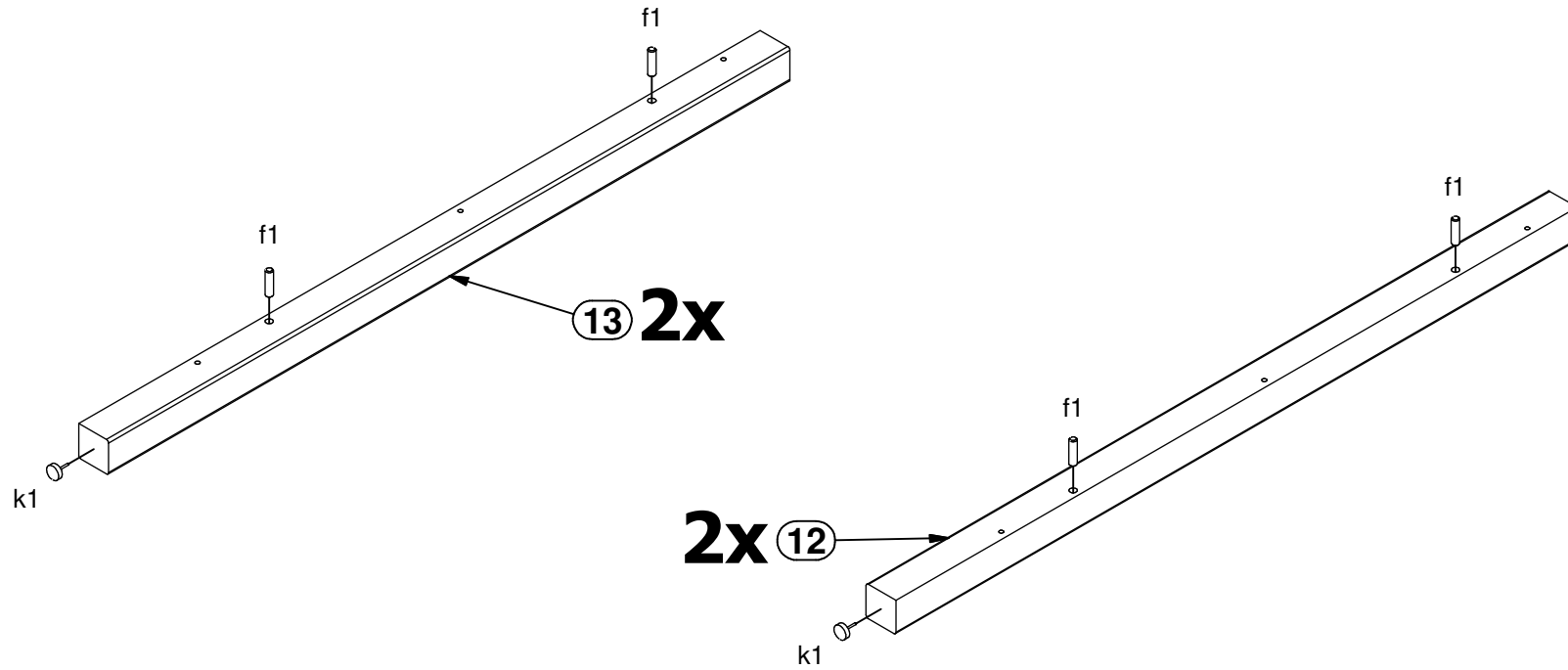


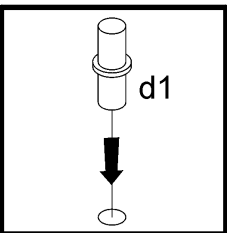
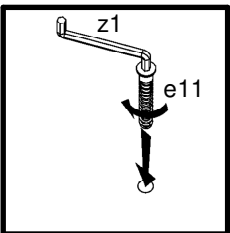
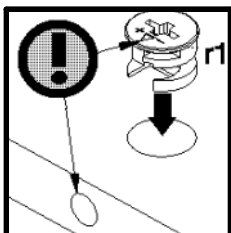
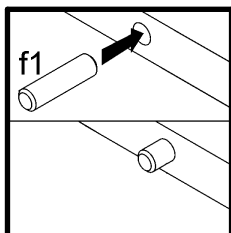
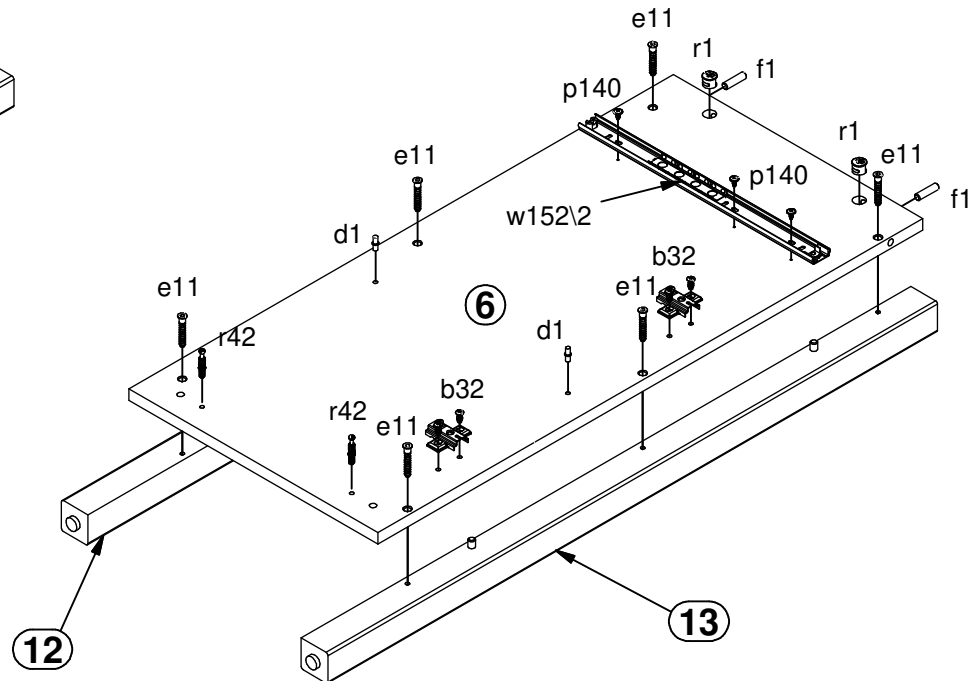
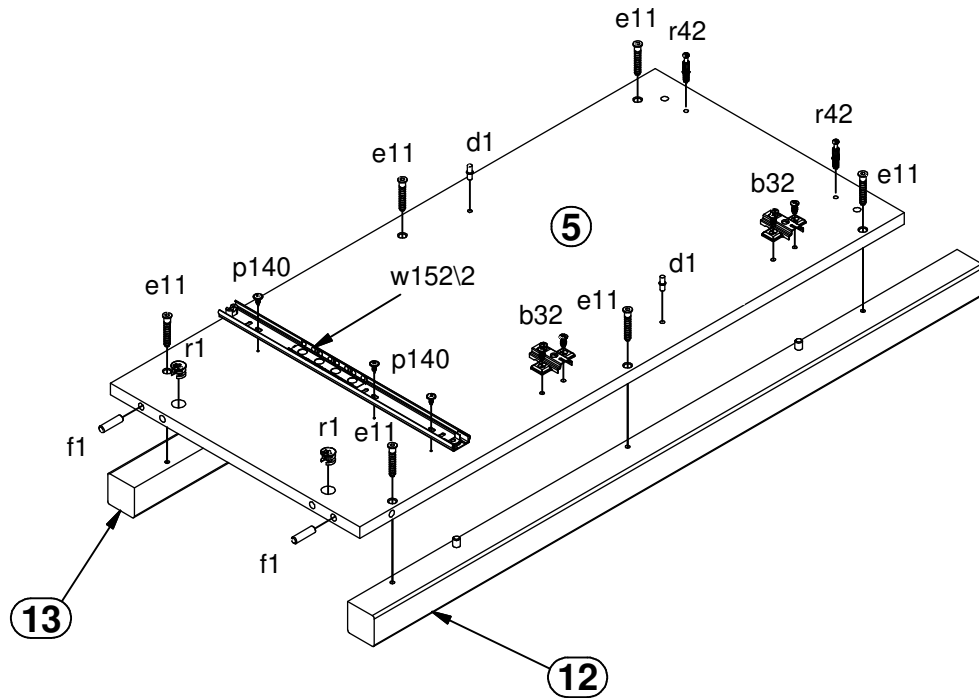
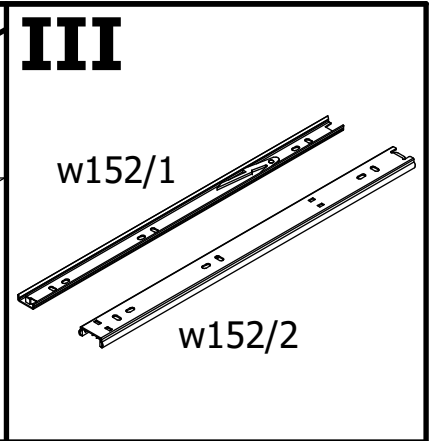
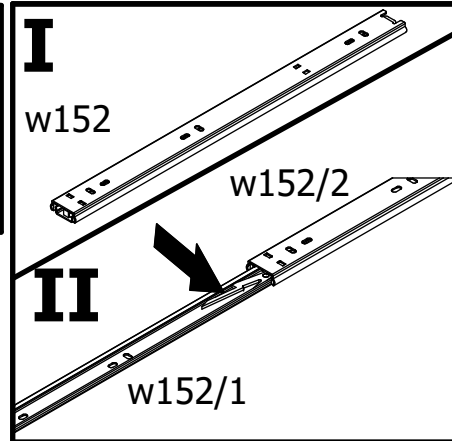
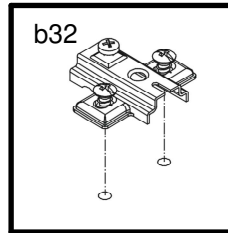
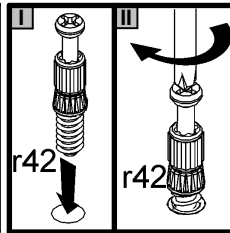
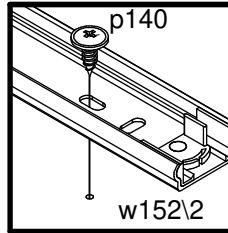
1  

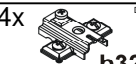
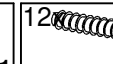
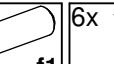


6x  d41/2	4x  f1	2x  k38/3	2x  k38/7
32x  p38	4x  r1	8x  r42	

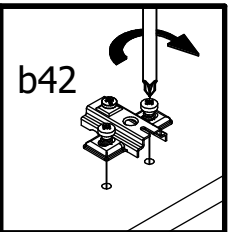
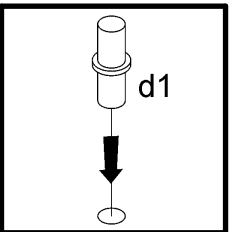
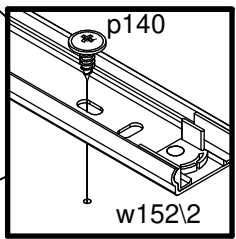
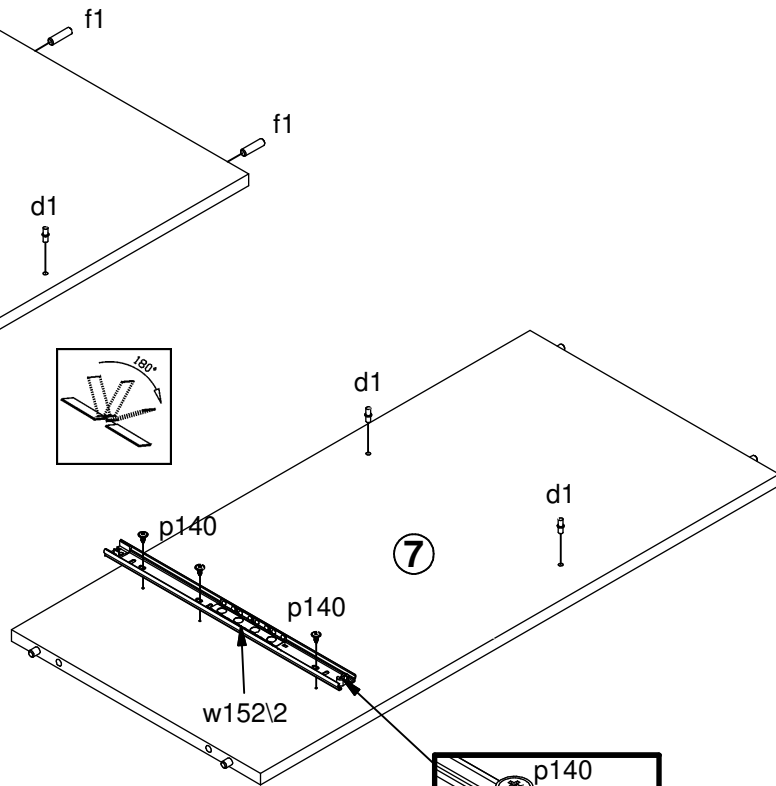
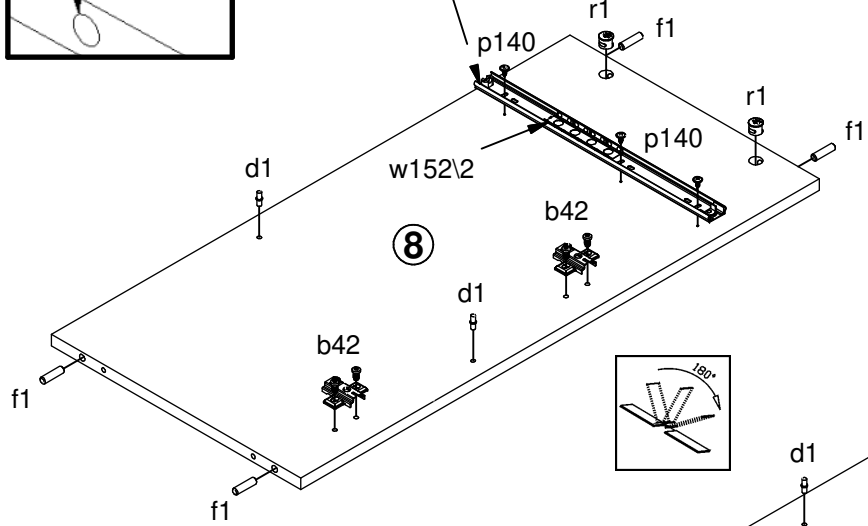
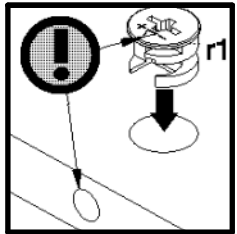
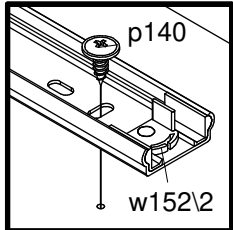
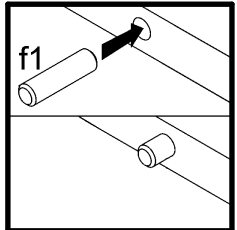
2 


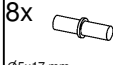








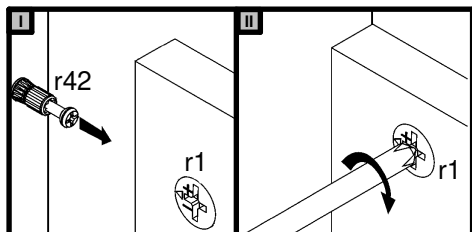
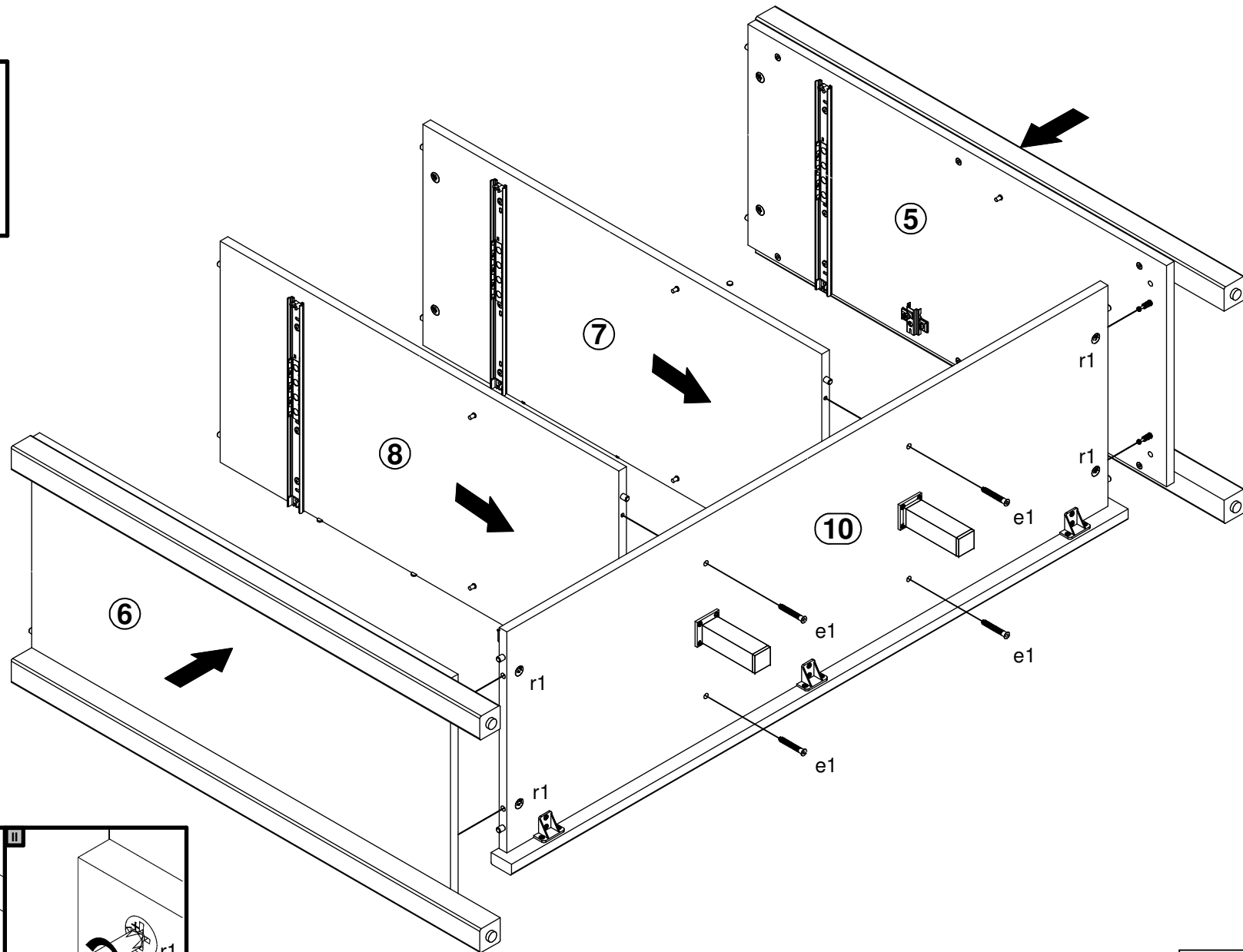
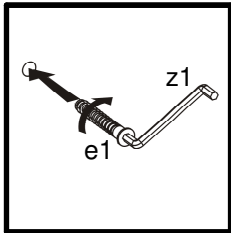
4x  b32	4x  d1	12x  e11	4x  f1	6x  p140
4x  r1	4x  r42	2x  w152/2	1x  z1	



4 



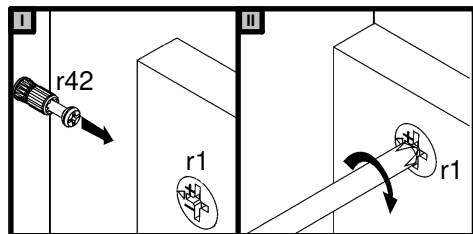
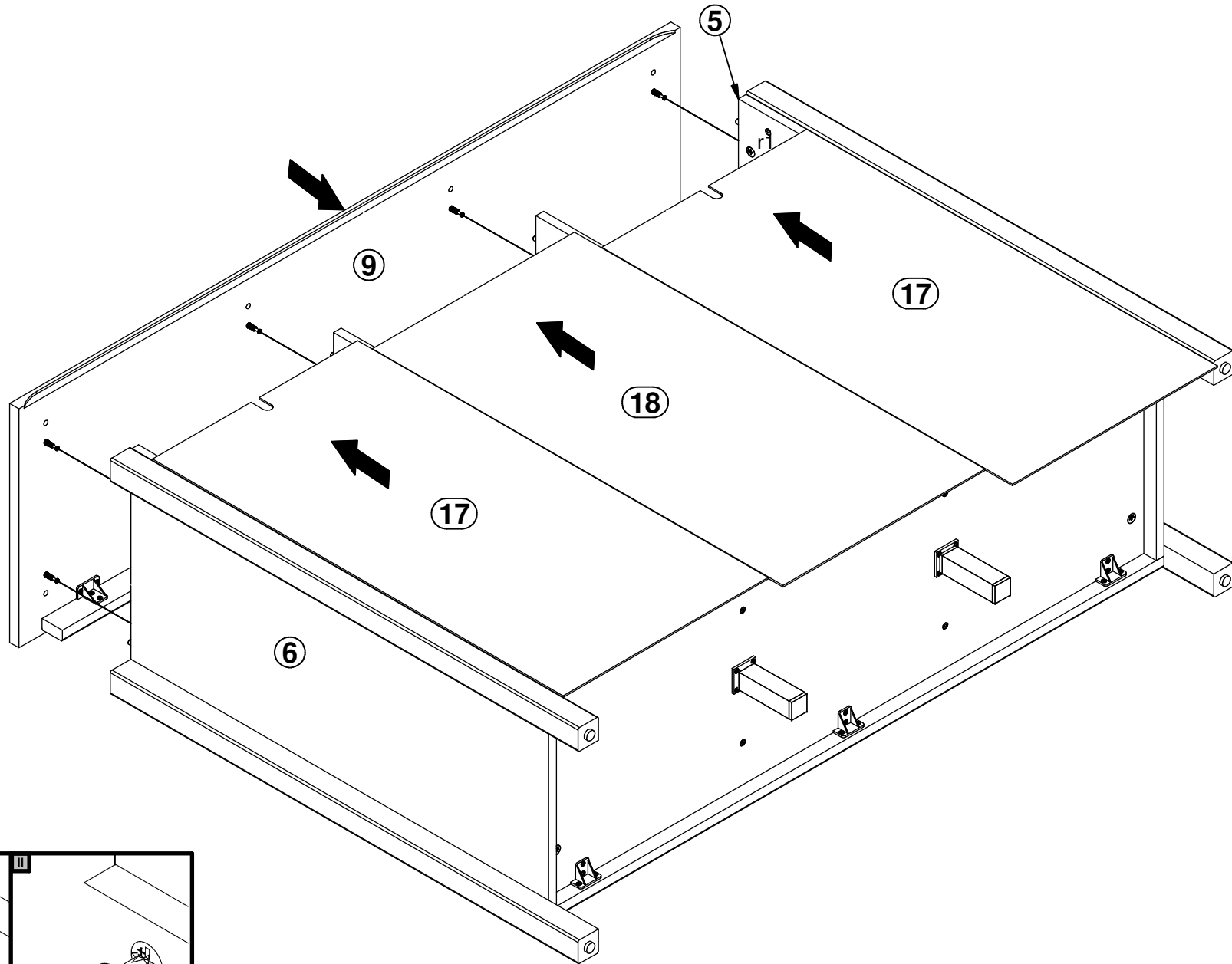
- 2x  **b42**
- 8x  **d1**
Ø5x17 mm
- 8x  **f1**
Ø8x30 mm
- 12x  **p140**
Ø3.5x12 mm
- 4x  **r1**
Ø15x12 mm #16
- 4x  **w152\2**
350x90 mm

5 

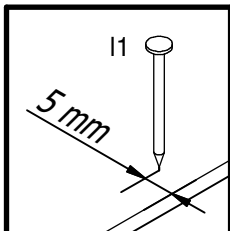
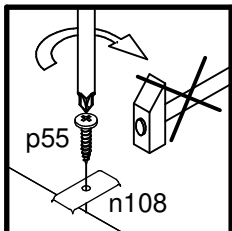
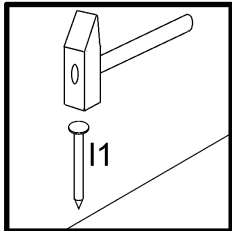
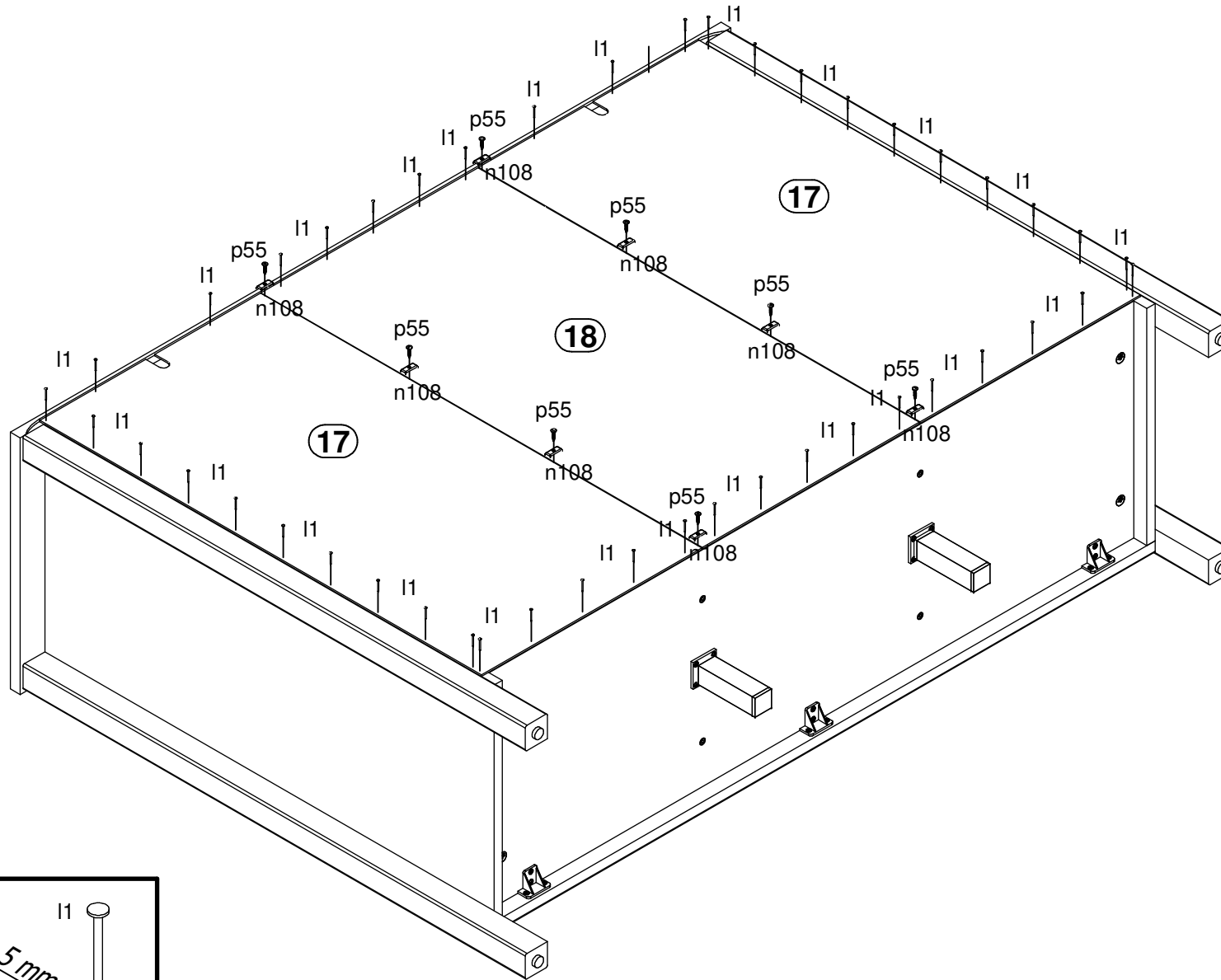
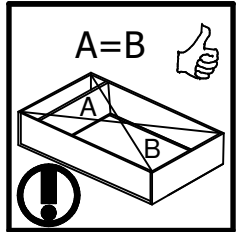





- 4x  e1 Q7x50 mm
- 1x  z1 4 mm

6 

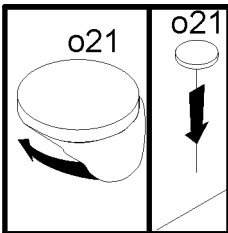
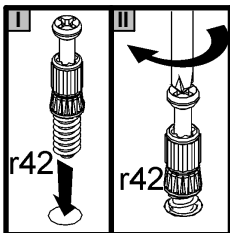
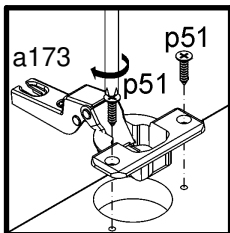
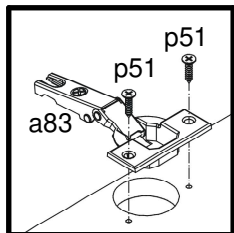
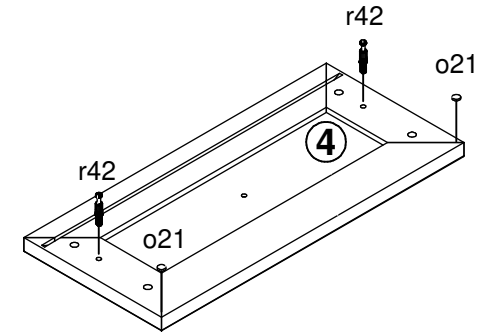
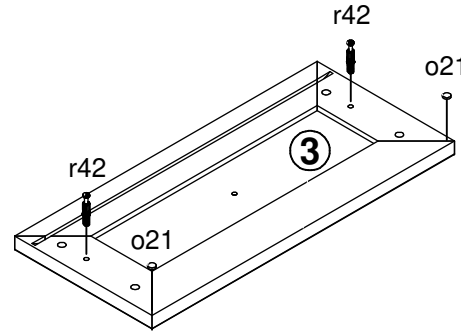
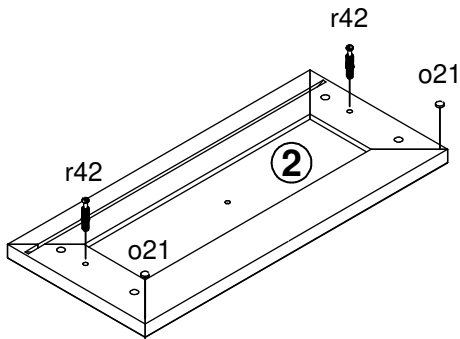
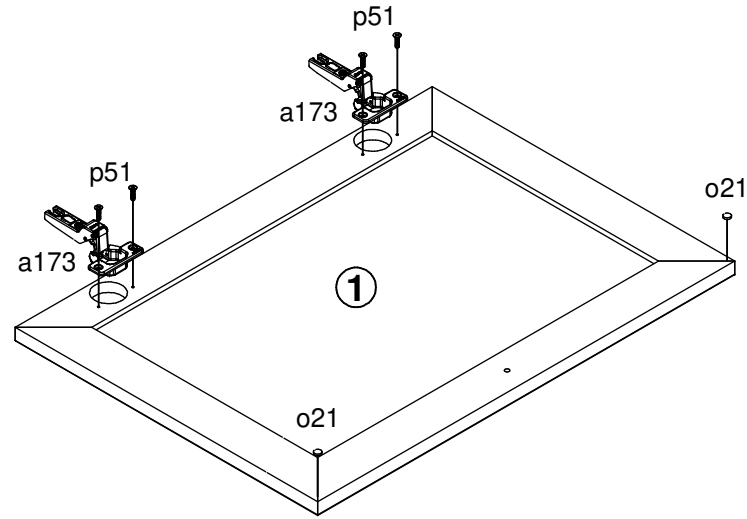
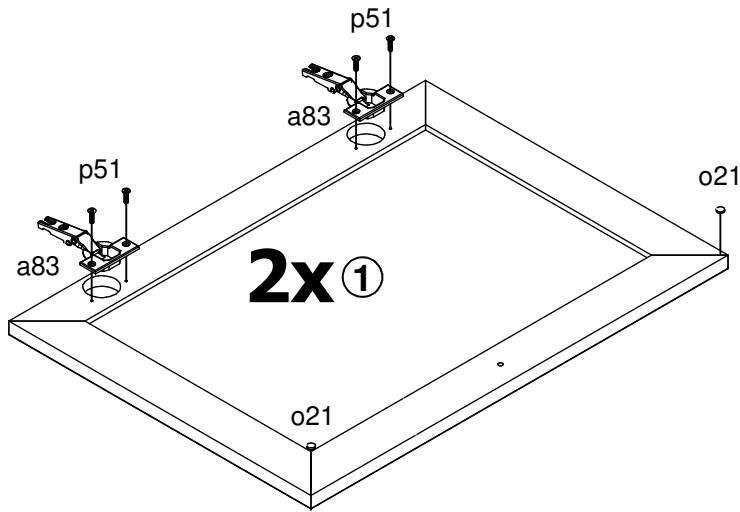




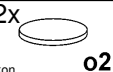

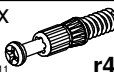
7 



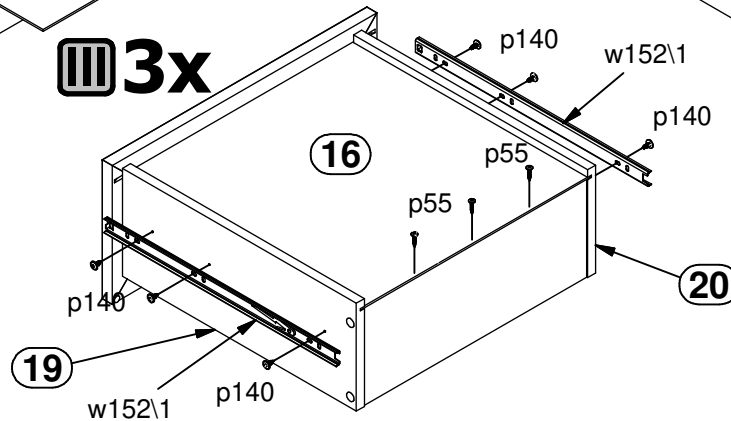
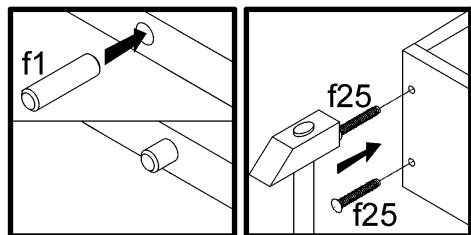
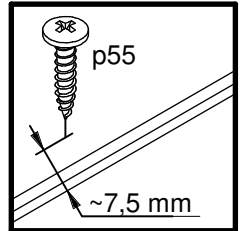
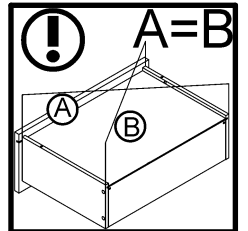
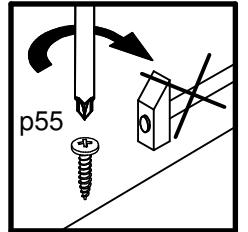
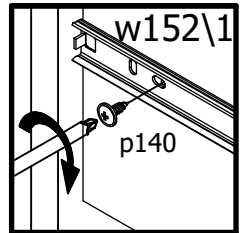
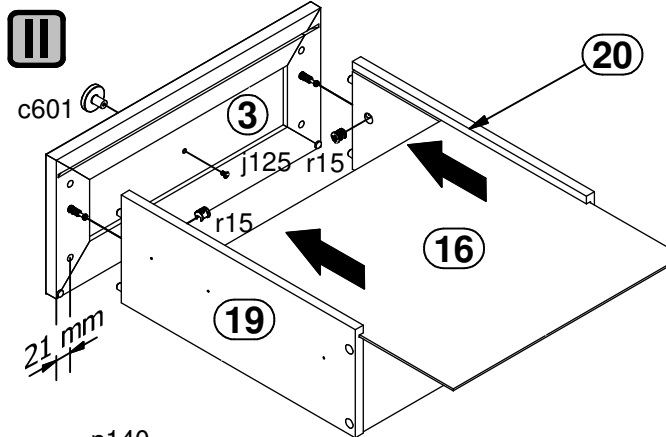
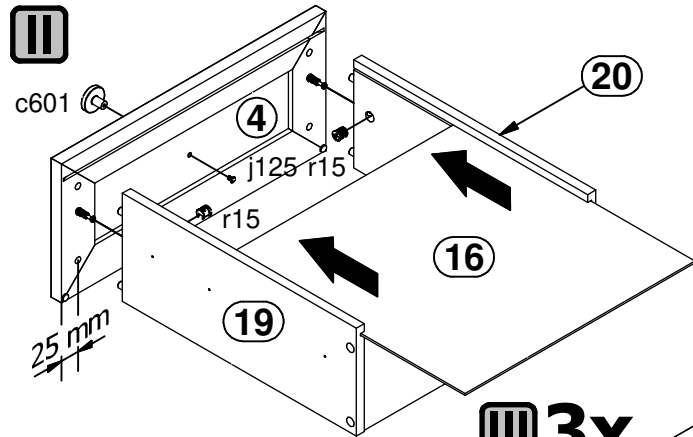
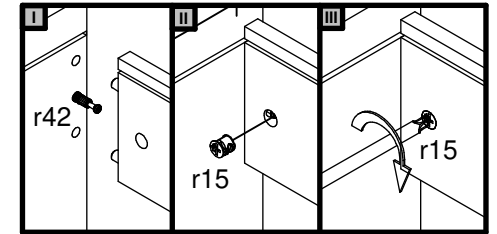
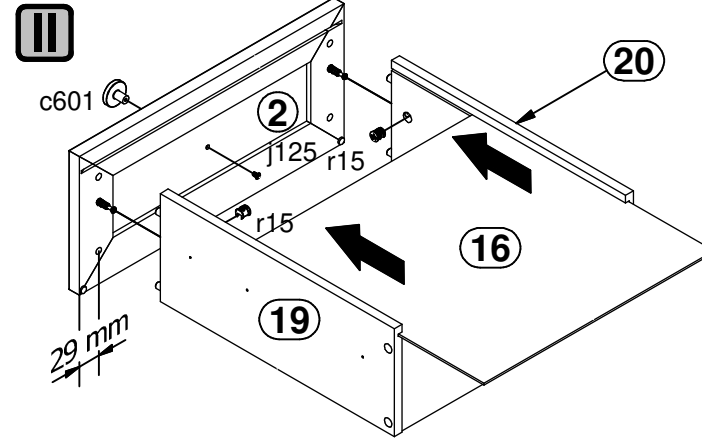
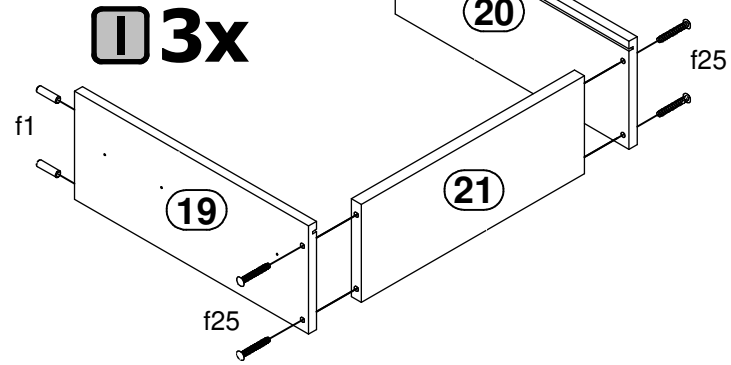
<p>45x l1 1,4x20 mm</p> 	<p>8x n108 22x9,5x20,7 mm</p> 	<p>8x p55 Ø2,9x16 mm</p> 
---	---	--

8 



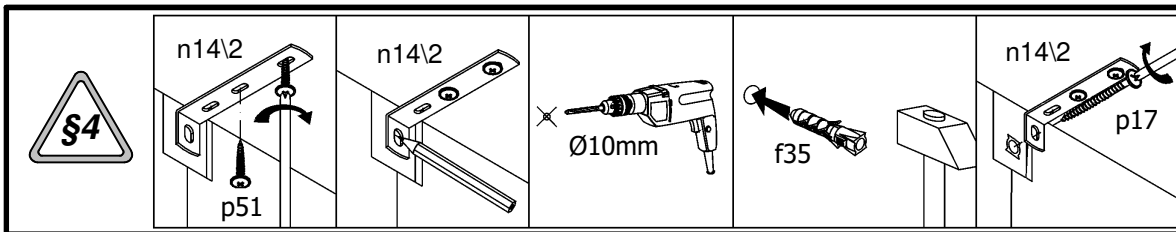
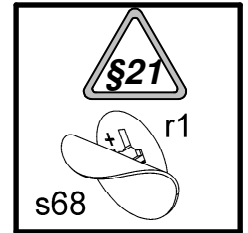
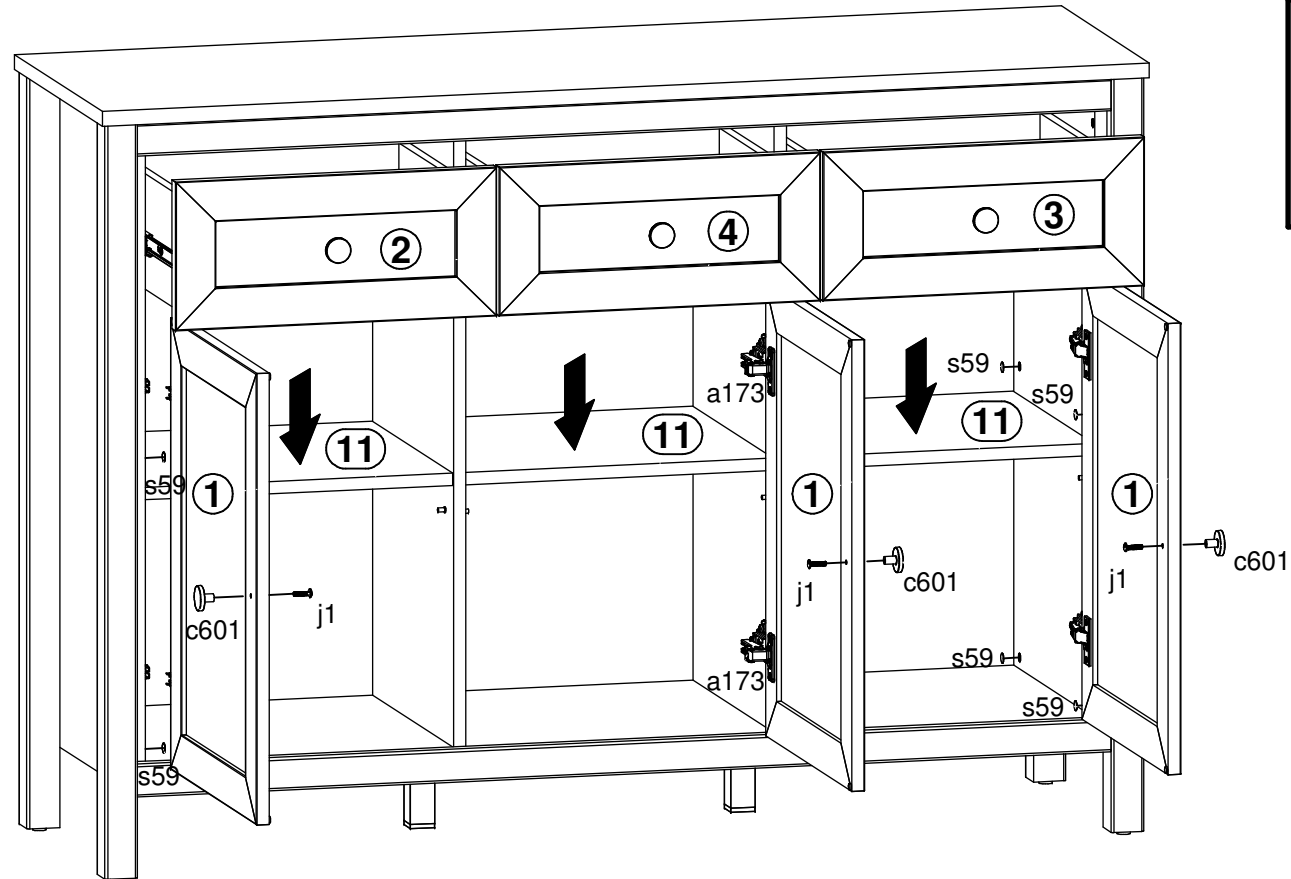
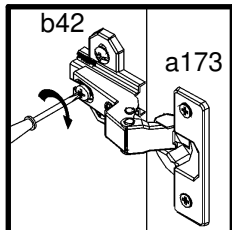
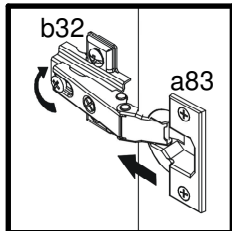
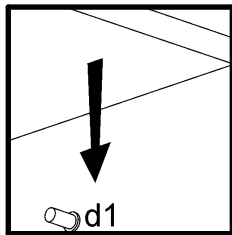
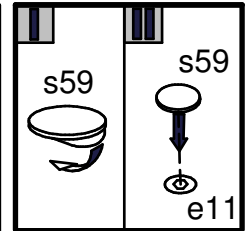
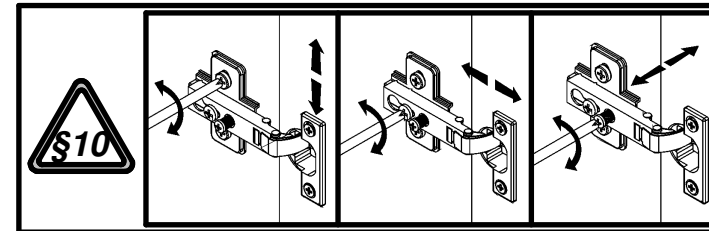
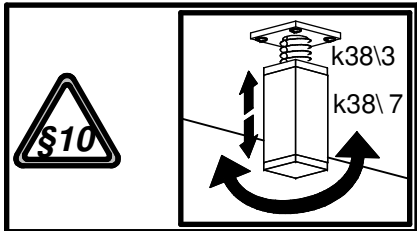
- | | | | | |
|--|---|---|---|--|
| 4x  a83 | 2x  a173 | 12x  o21 | 12x  p51 | 6x  r42 |
|--|---|---|---|--|





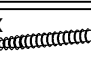
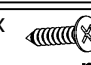

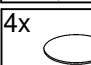
9



3x	12x	12x	3x
c601 Ø8x30 mm	f1 Ø6,5x40 mm	f25 Ø6,5x40 mm	j125 M4x7 mm
9x	18x	6x	6x
p55 Ø2,9x16 mm	p140 Ø3,5x12 mm	r15 Ø12x10,5 mm #12	w152\1 350/580 mm

10 



3x  c601	2x  f35 Ø10x50 mm	3x  j1 M4x20 mm	2x  n14\2 88x21x15,5
2x  p17 Ø5x60 mm	4x  p51 Ø3,5x15 mm	8x  s59 Ø14x0,5 mm	4x  s68 Ø 20mm

11

