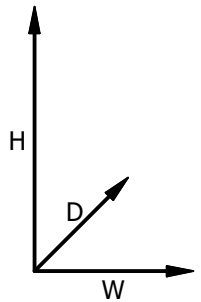
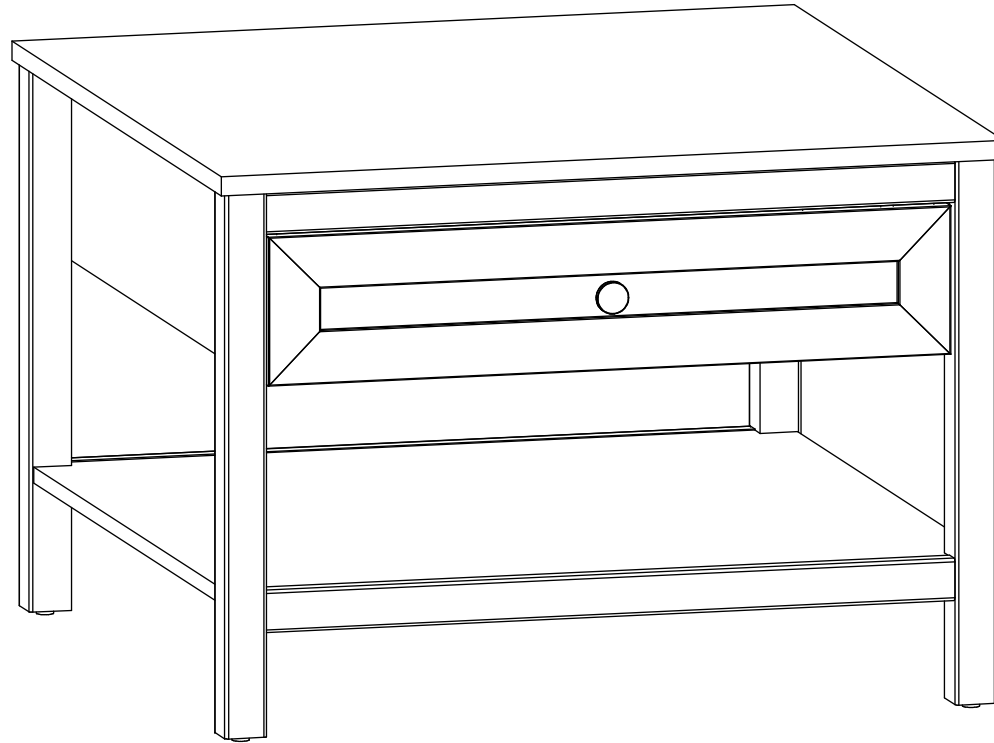
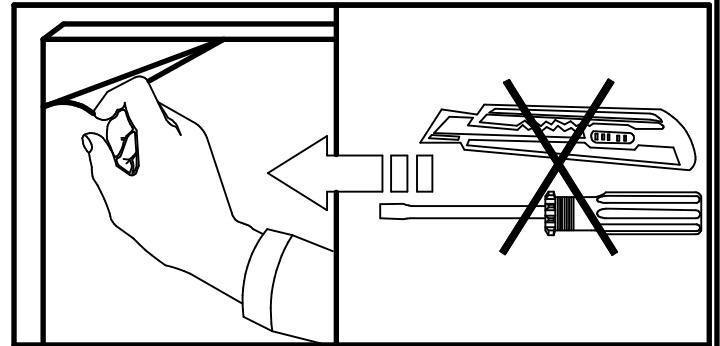
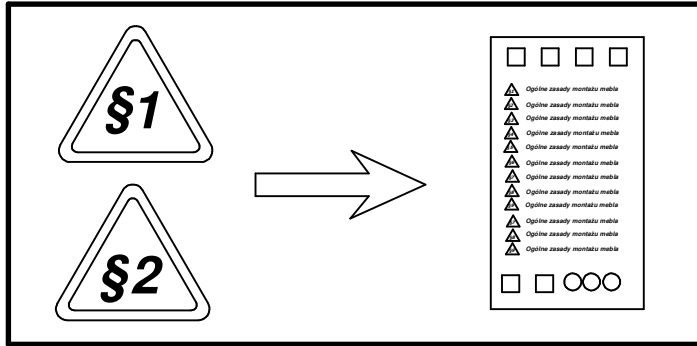
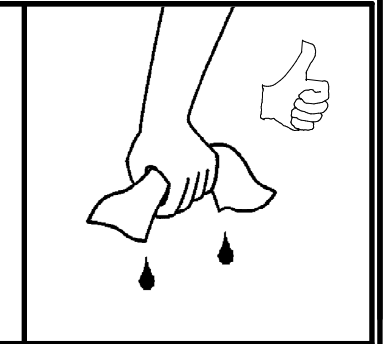
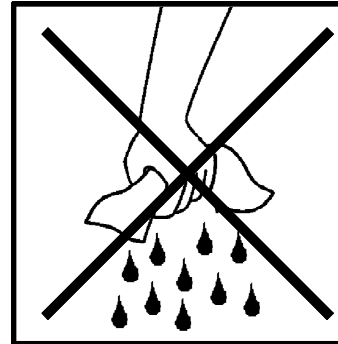
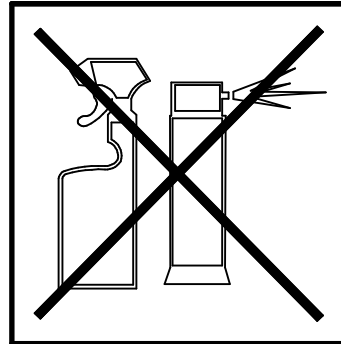
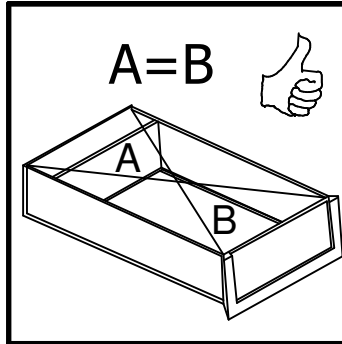
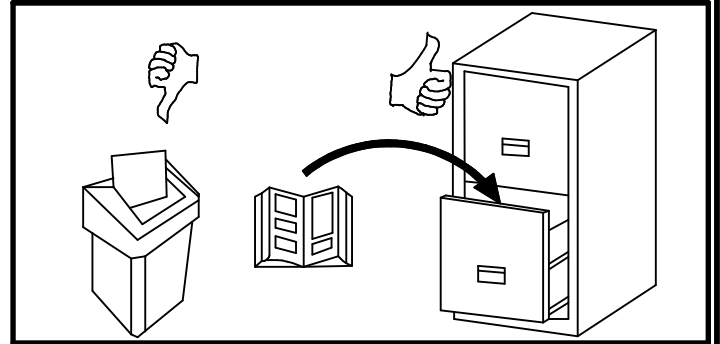
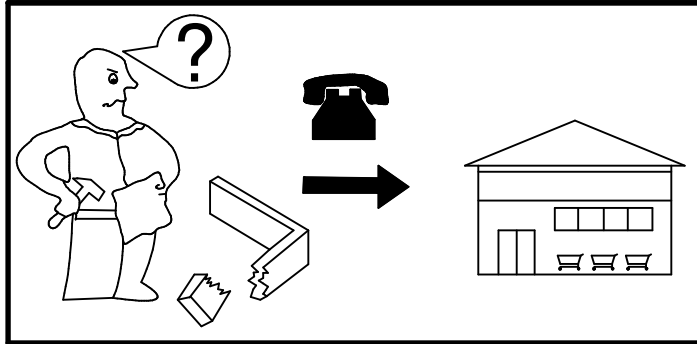
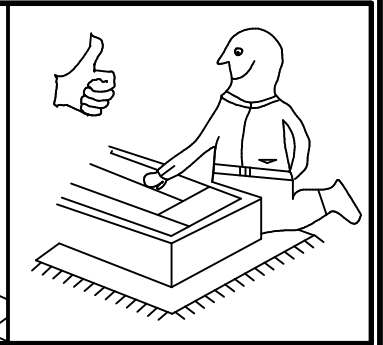
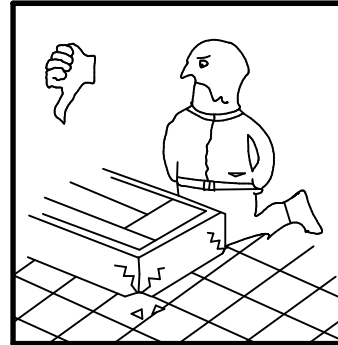
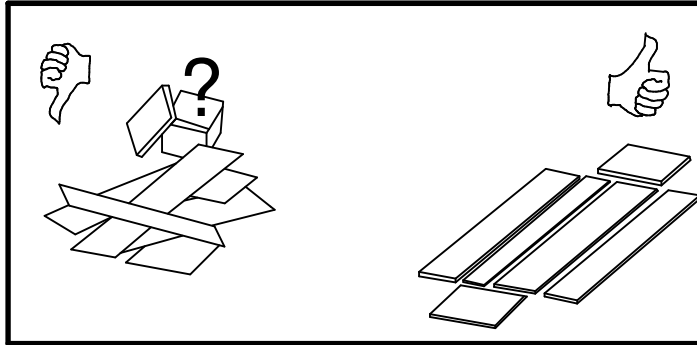
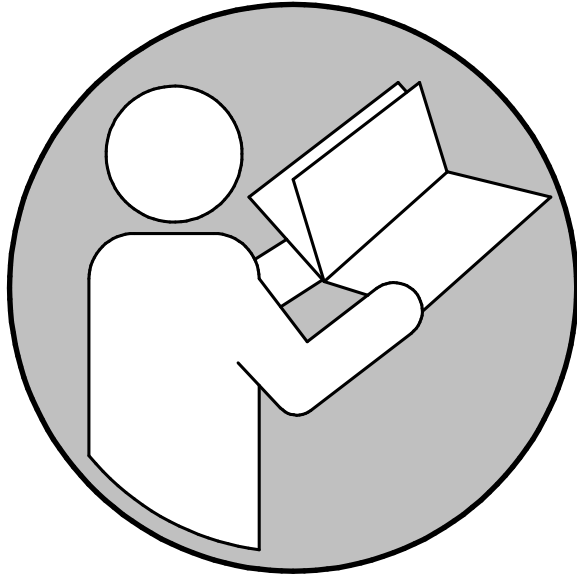


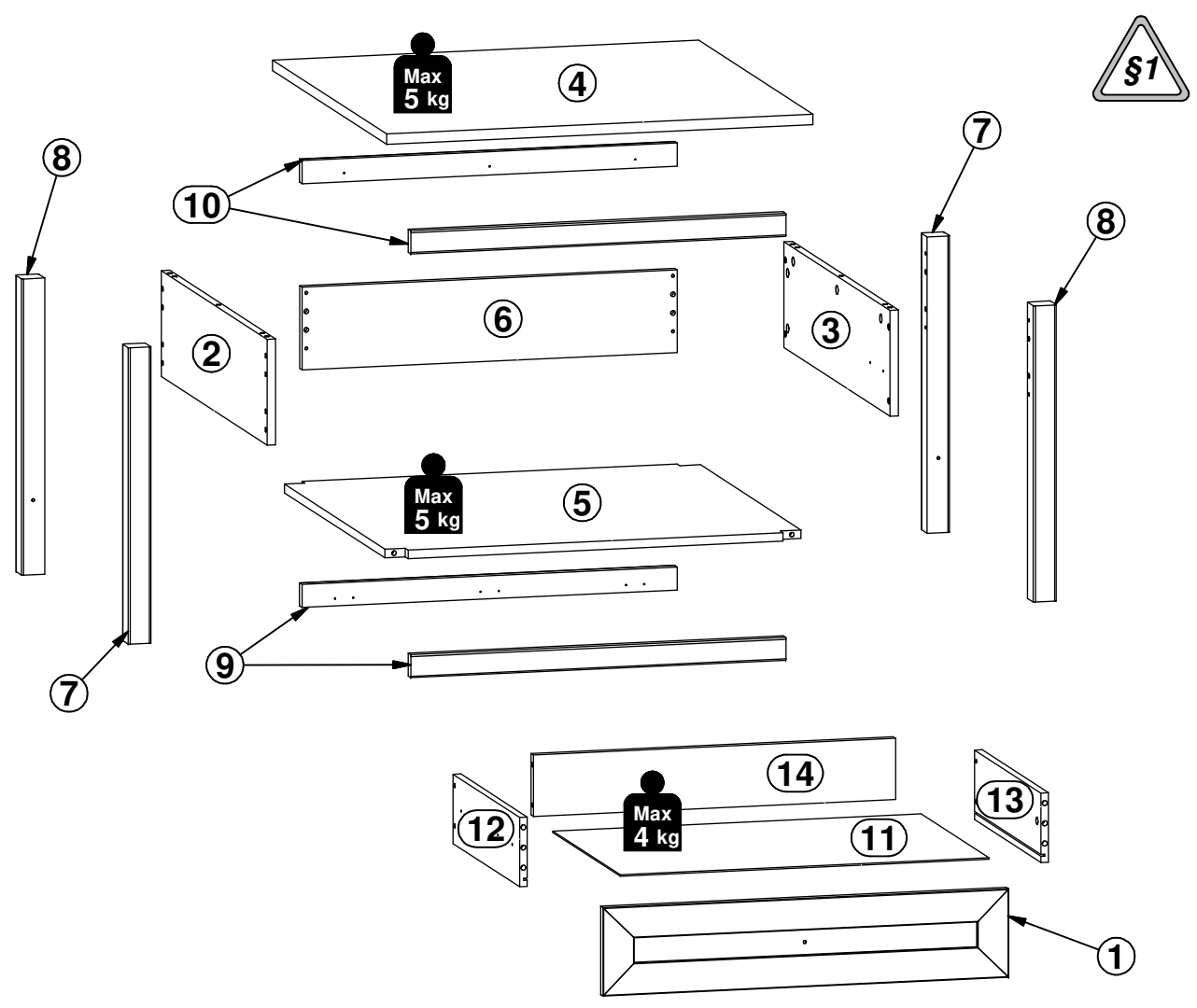
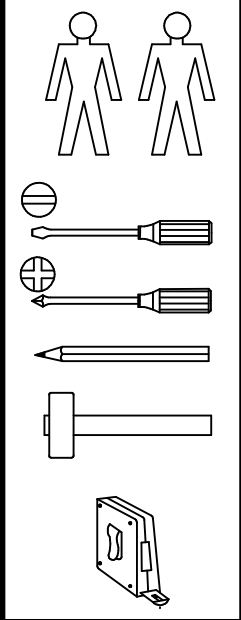
# SALGA

# S615-LAW1S

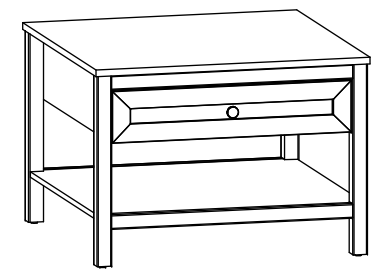


H - 535 mm  
W - 750 mm  
D - 750 mm

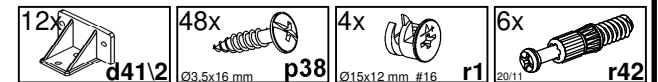
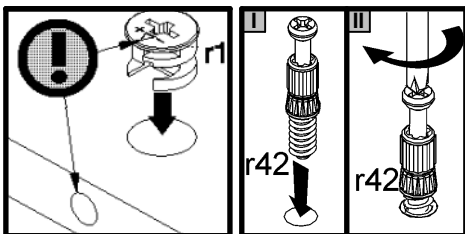
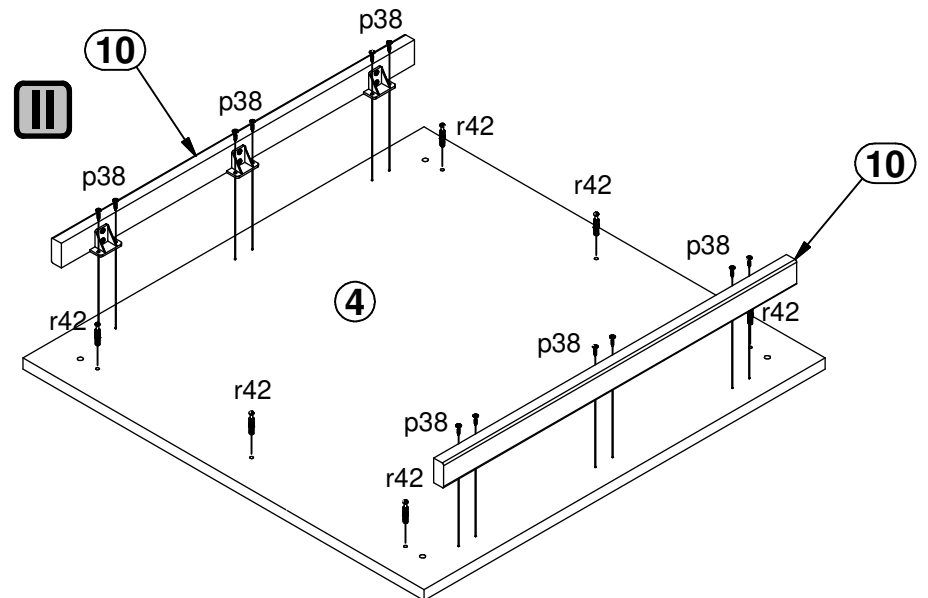
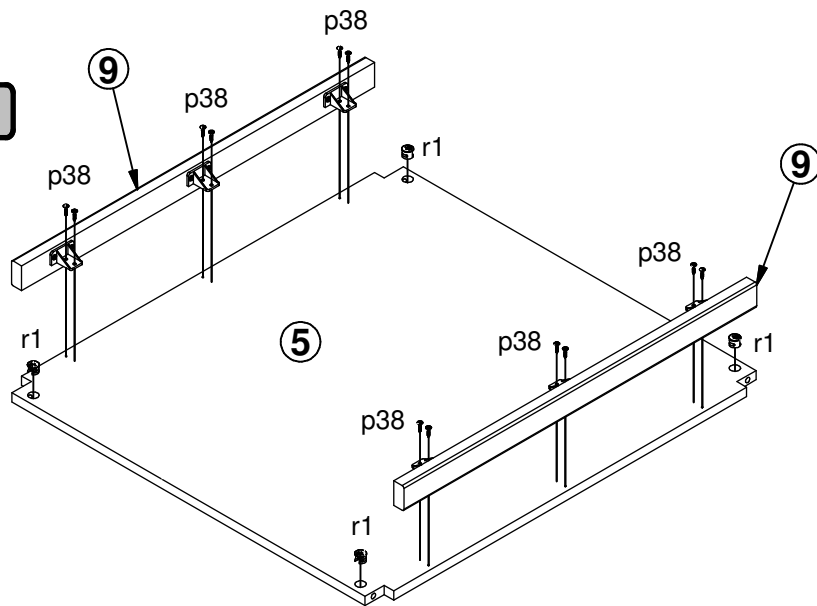
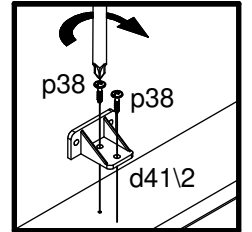
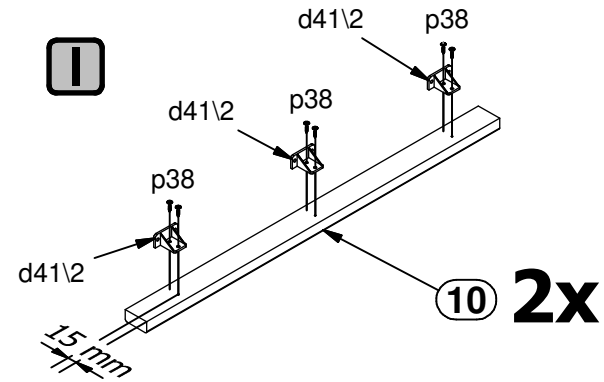
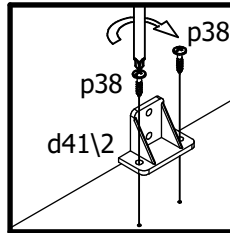
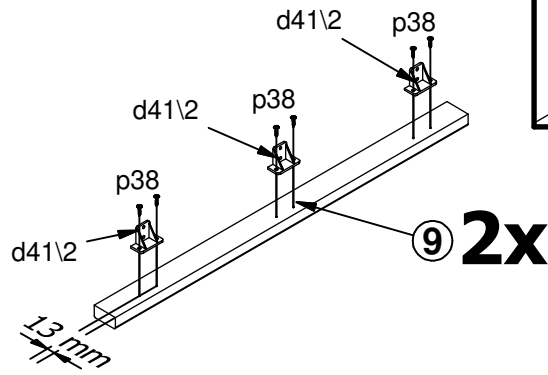




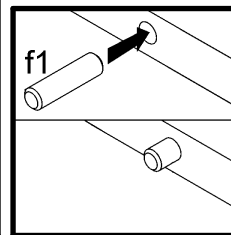
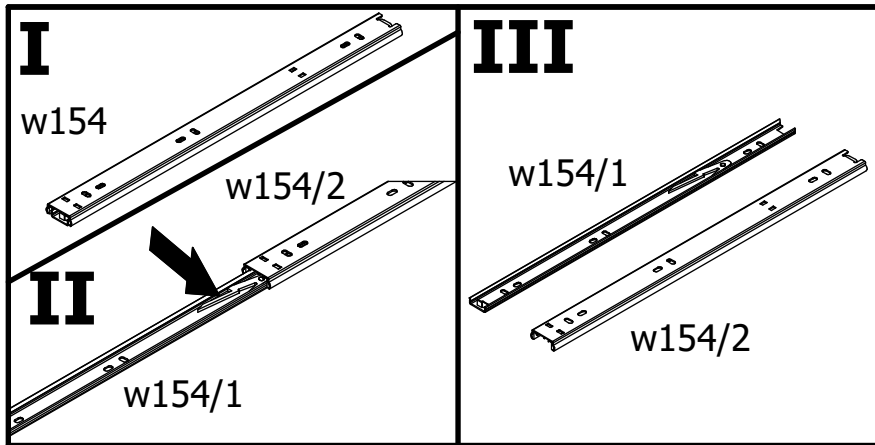
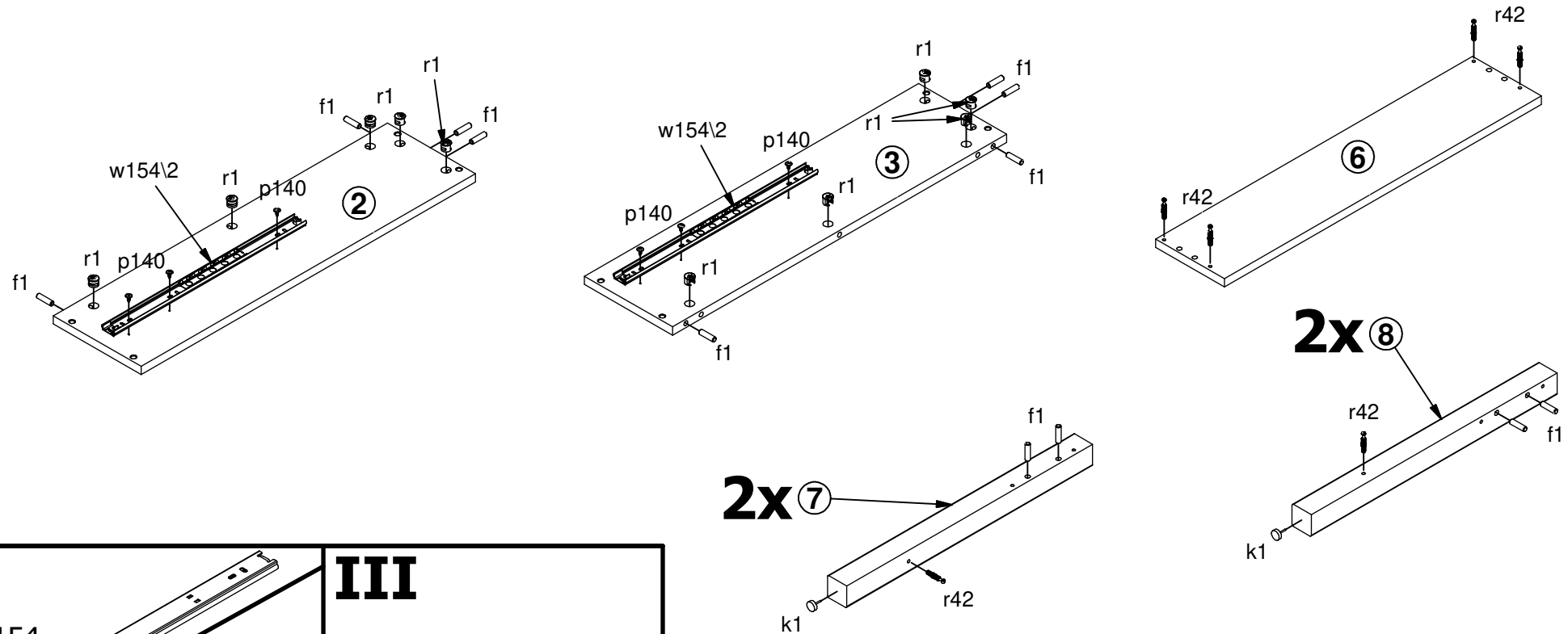
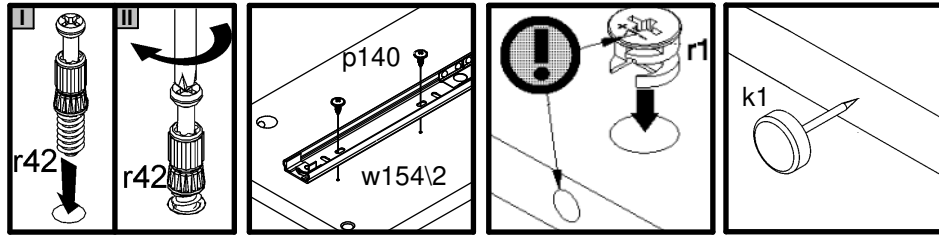
A	B	C (mm)			D
1	S615-0017	654	140	16	1/1
2	S615-1027	183	696	15	1/1
3	S615-1028	183	696	15	1/1
4	S615-2009	750	750	18	1/1
5	S615-3023	732	696	15	1/1
6	S615-4019	143	660	15	1/1
7	S615-5026	512	40	40	1/1
8	S615-5027	512	40	40	1/1
9	S615-5030	660	40	19	1/1
10	S615-5031	660	40	19	1/1
11	S615-9017	594	407	2,5	1/1
12	WSK2-5007	400	110	12	1/1
13	WSK2-5008	400	110	12	1/1
14	STK-5009	584	97	15	1/1

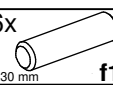


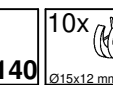
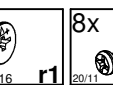
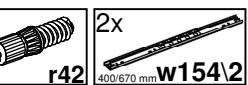


1x  c601	12x  d412	8x  e11 Ø7x40 mm	20x  f1 Ø8x30 mm	cm 0 1 2 3 4 5 6 7 8 9 10	4x  f25 Ø6,5x40 mm	1x  j125 M4x7 mm	4x  k1	<b>D</b> 1/1		
2x  o21 silikon	1x  p51 Ø3,5x15 mm	54x  p38 Ø3,5x16 mm	13x  p140 Ø3,5x12 mm	14x  r1 Ø15x12 mm #16	2x  r15 Ø12x10,5 mm #12	16x  r42 20/11	1x  t33 400 mm	2x  w154\1 400/670 mm	2x  w154\2 400/670 mm	1x  z1 4 mm

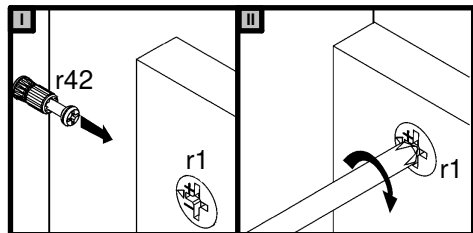
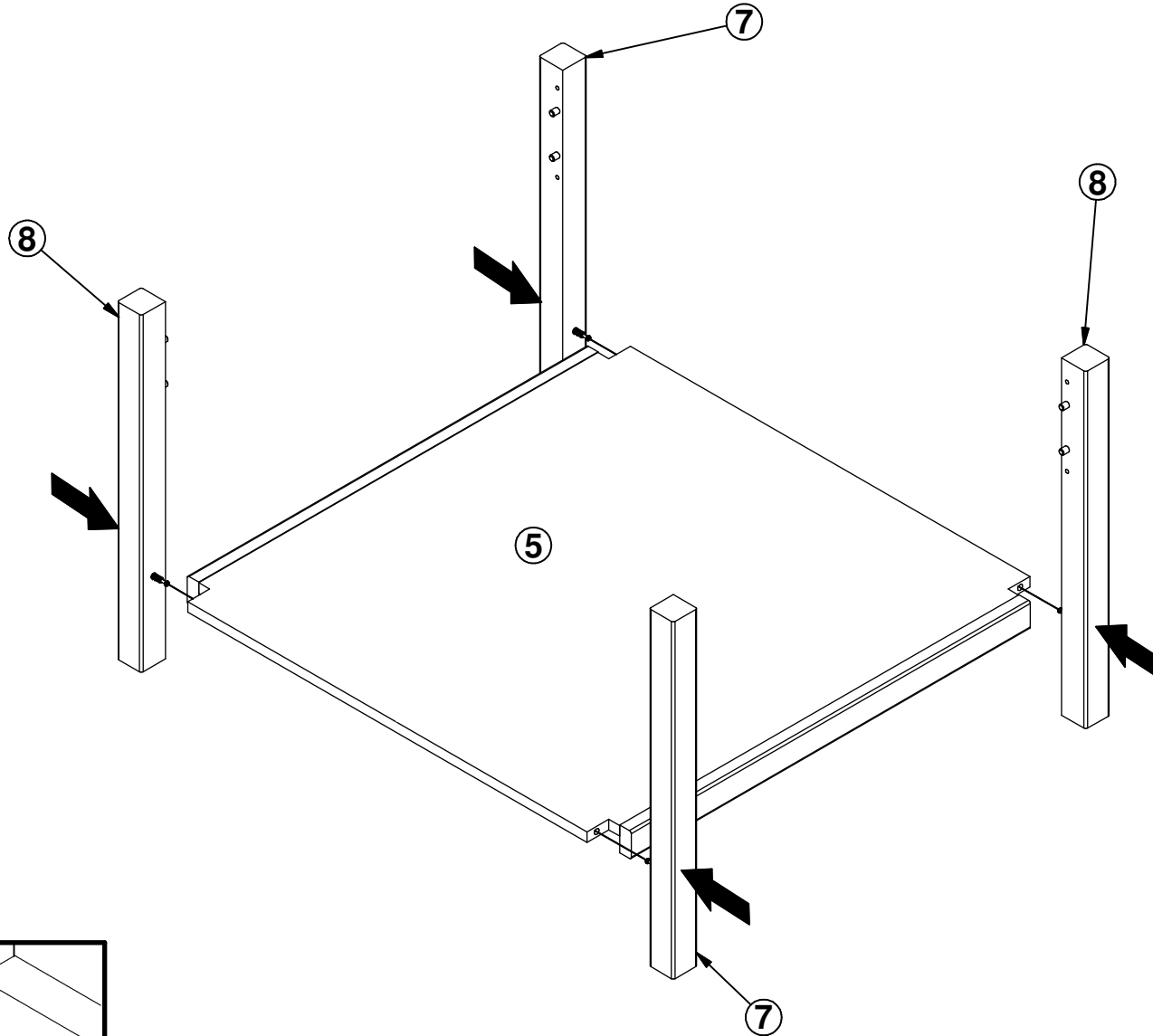


2 

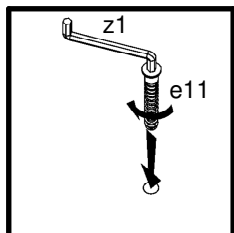
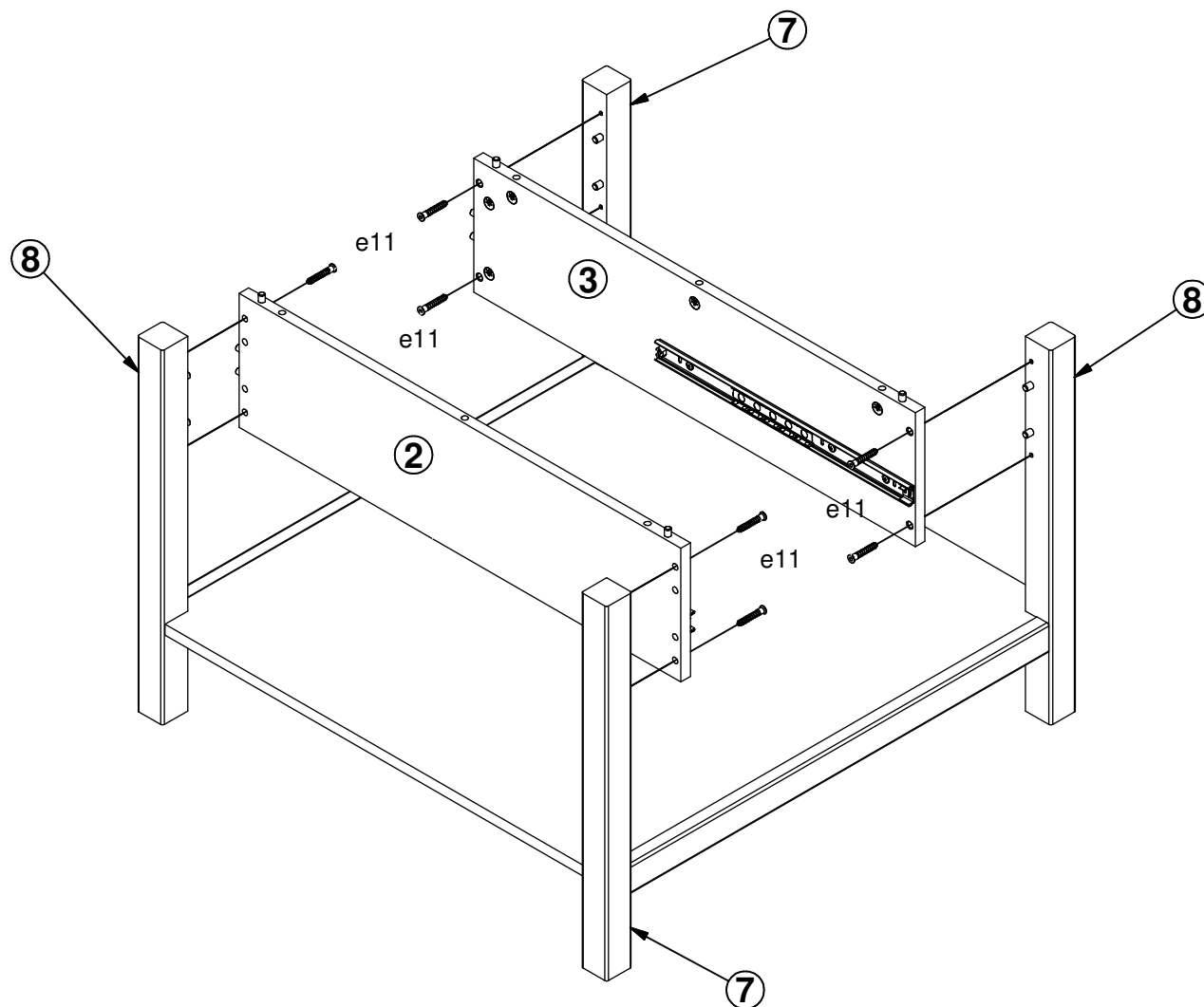




- 16x  f1
- 4x  k1
- 6x  p140
- 10x  r1
- 8x  r42
- 2x  w154/2

**3** 

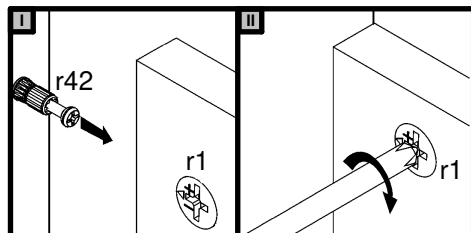
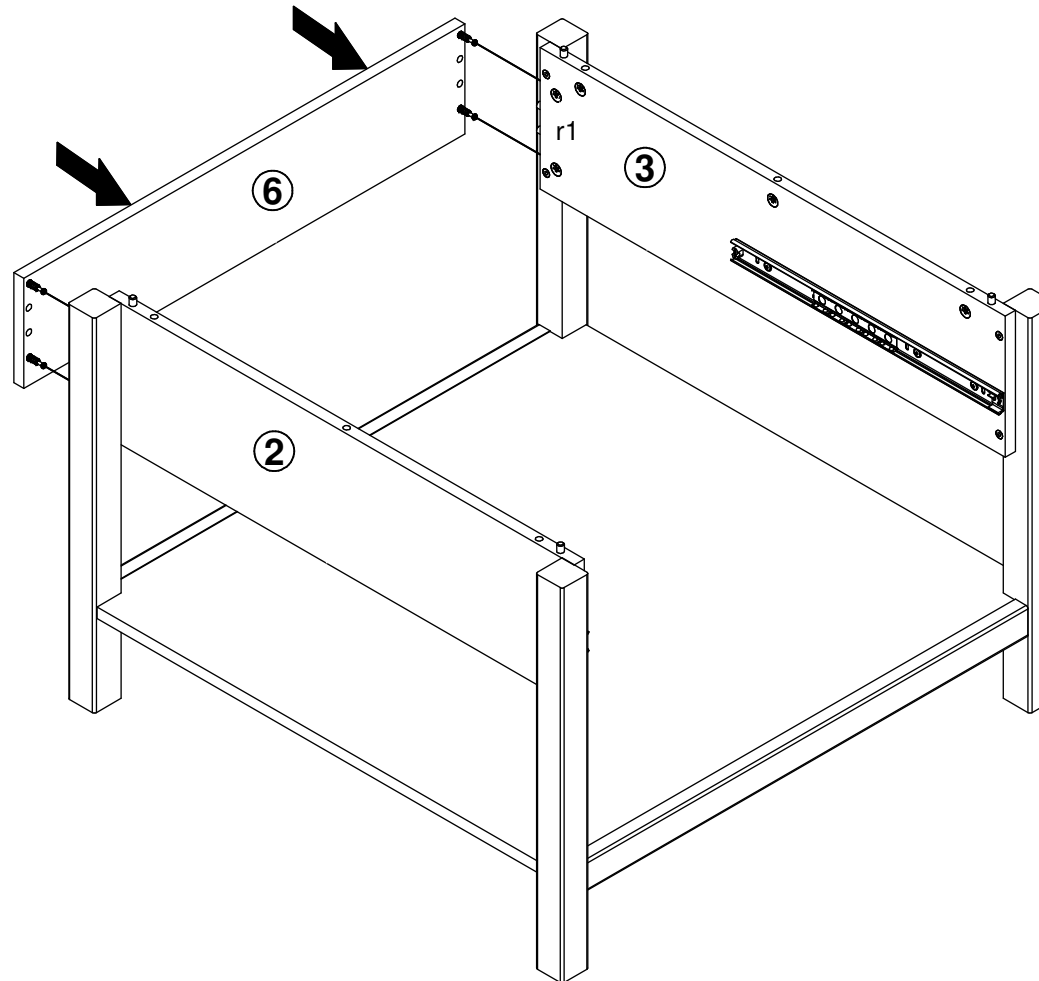


4 



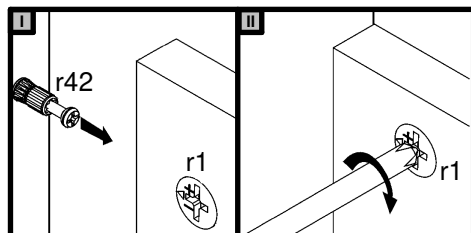
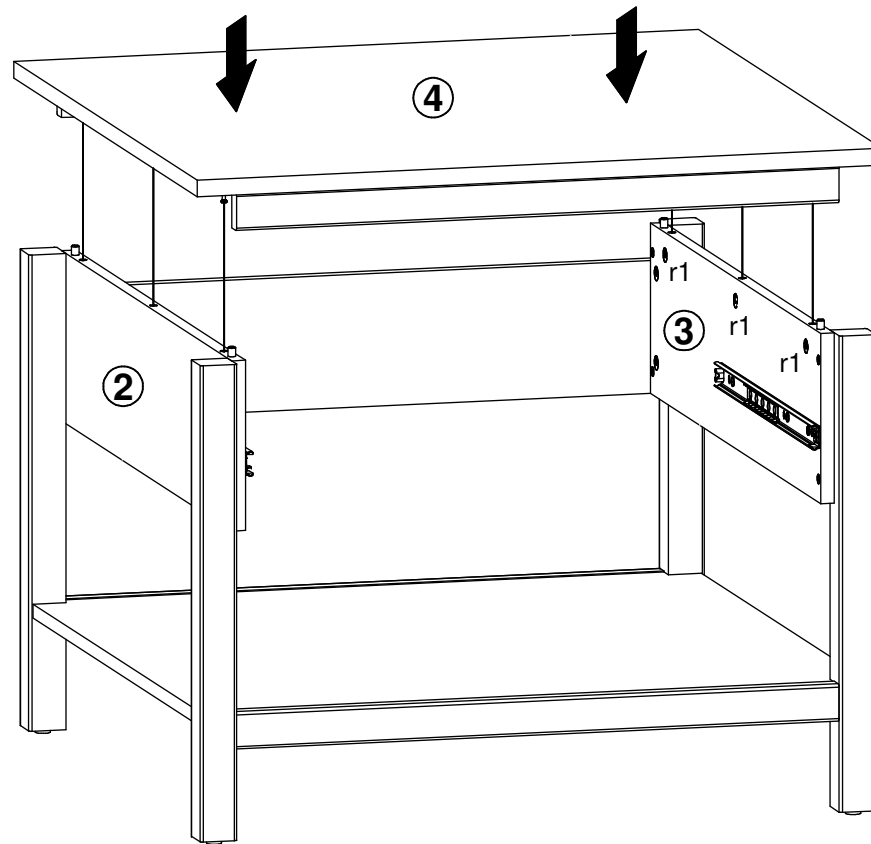
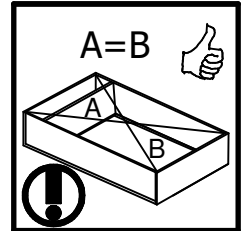
8x  Ø7x40 mm	1x  4 mm z1
--	---

5 



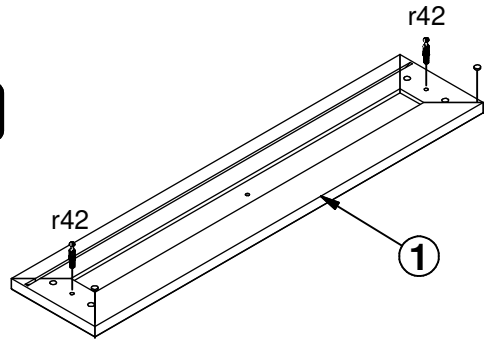


6 

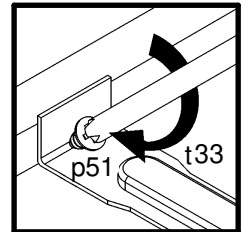
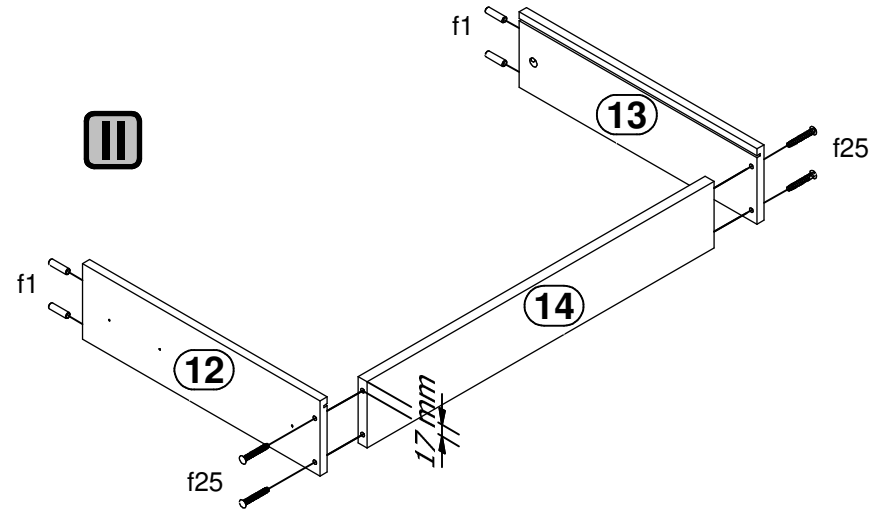


7  

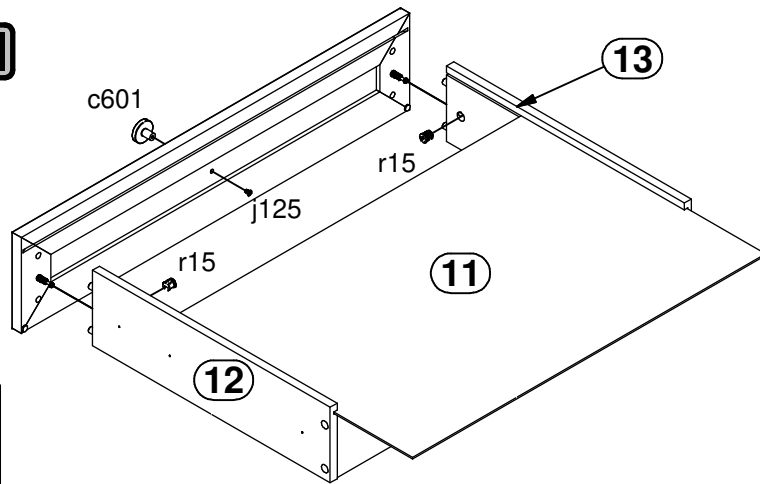
I



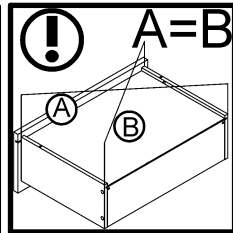
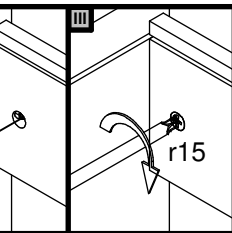
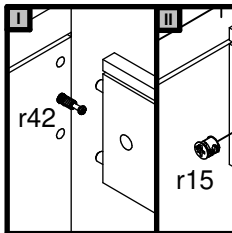
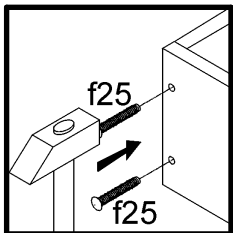
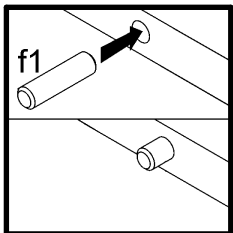
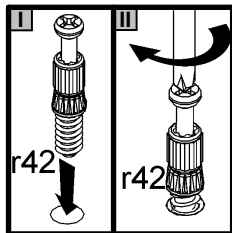
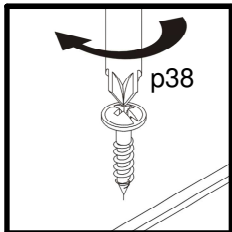
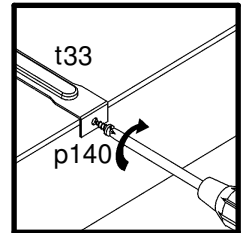
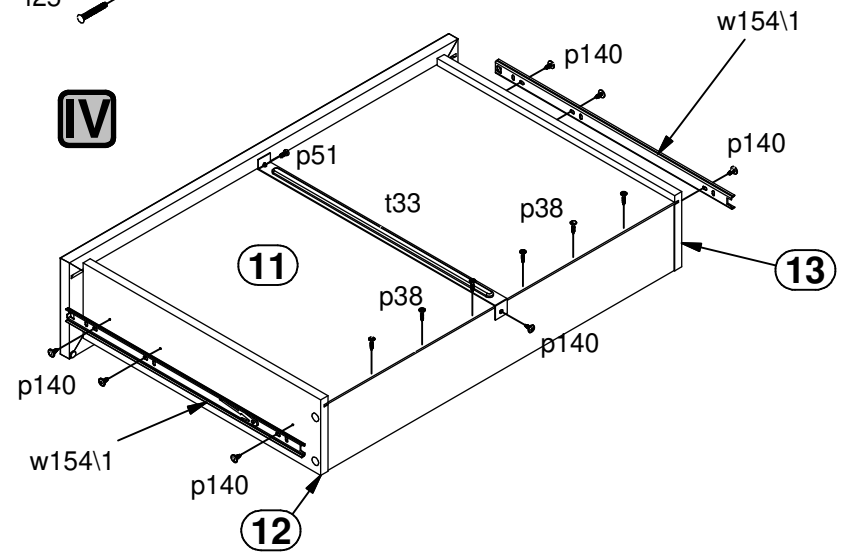
II

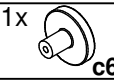
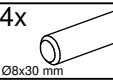
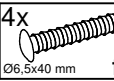
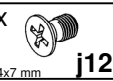
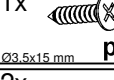
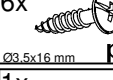
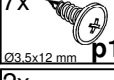
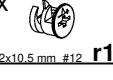

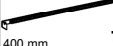



III

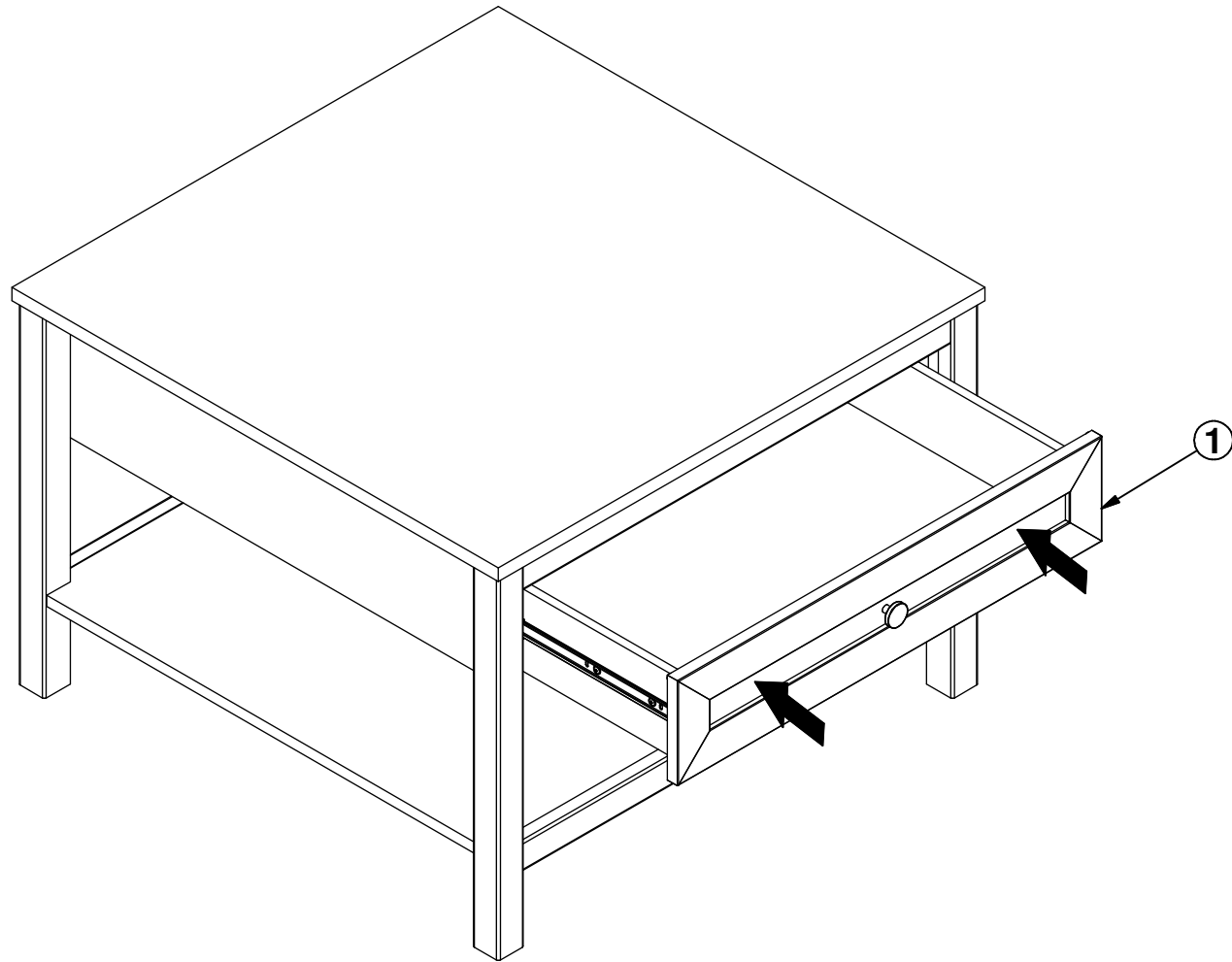


IV



1x  c601	4x  f1	4x  f25	1x  j125
1x  p51	6x  p38	7x  p140	2x  r15
2x  r42	1x  t33	2x  w1541	

8 



9

