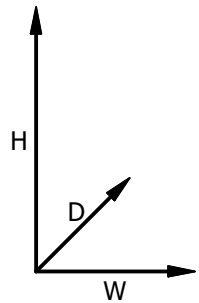
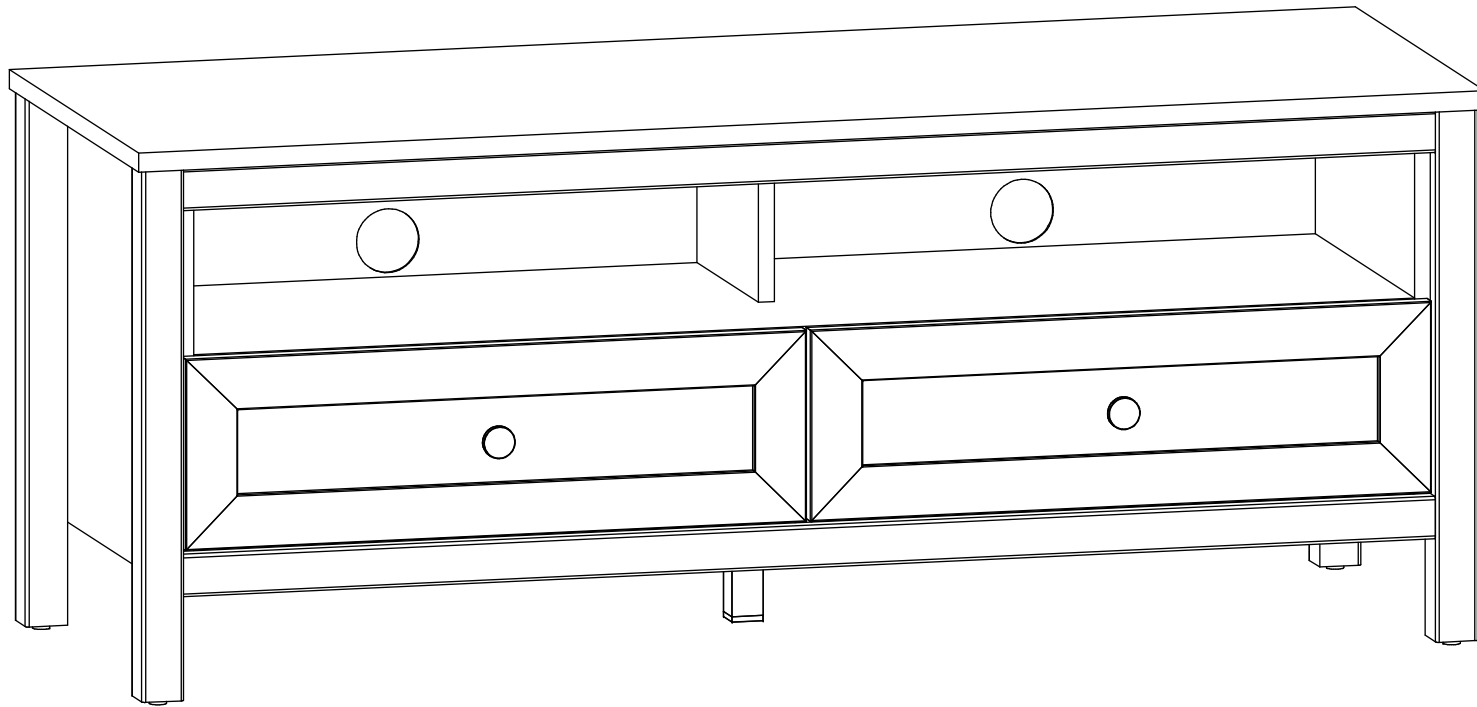
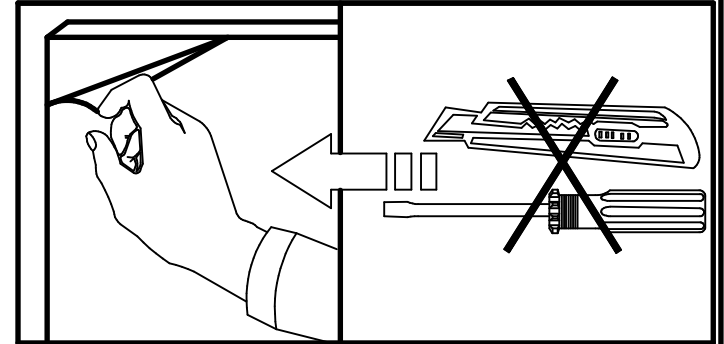
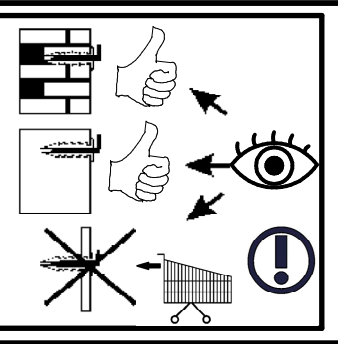
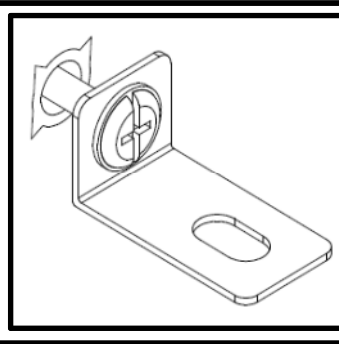
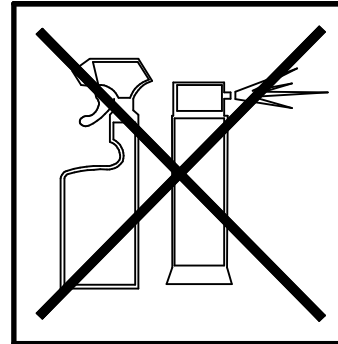
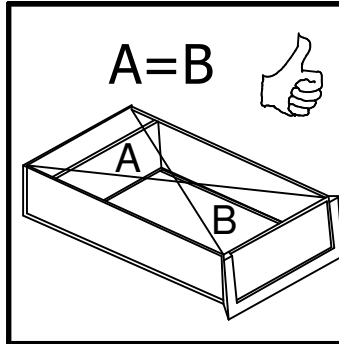
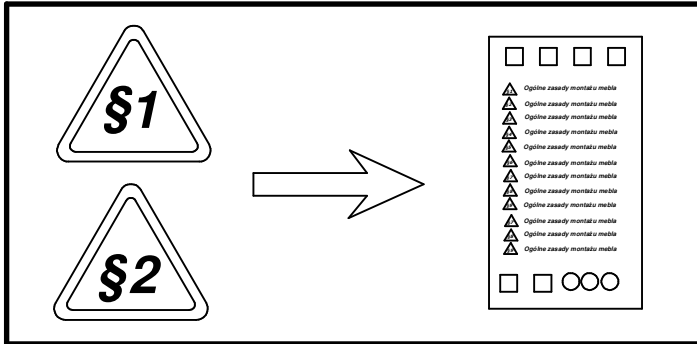
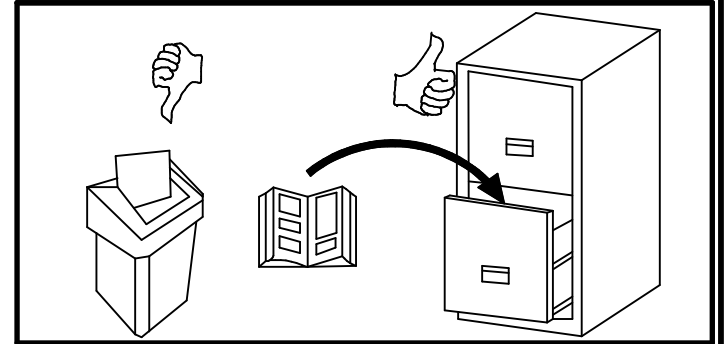
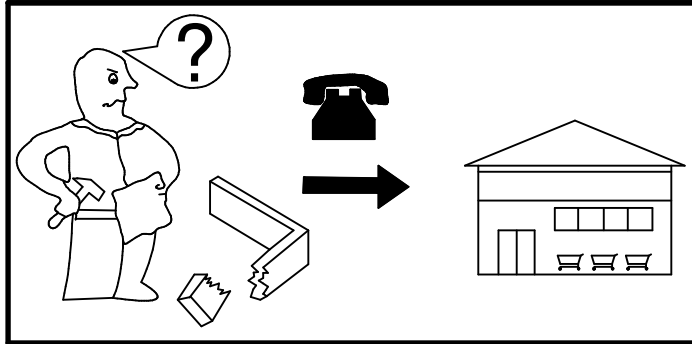
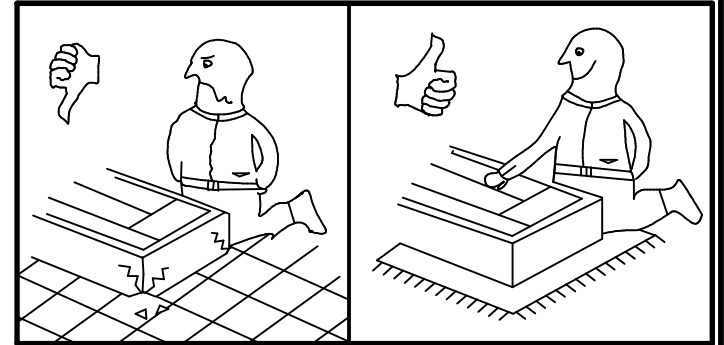
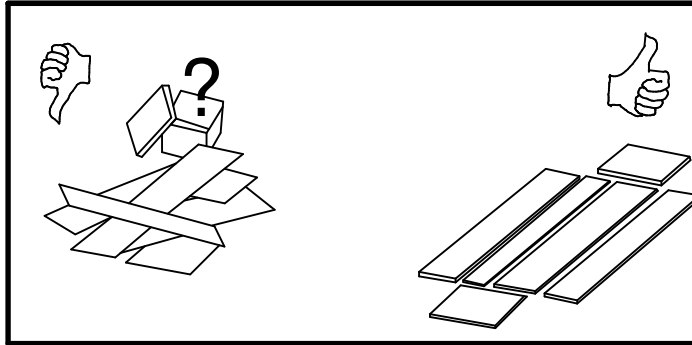
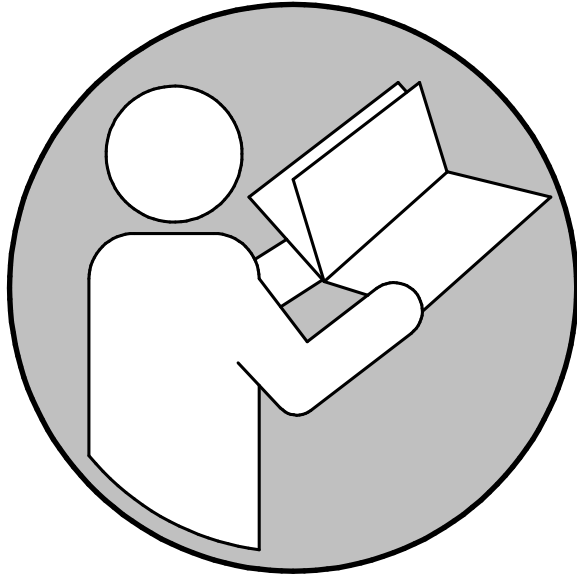


SALGA

S615-RTV2S

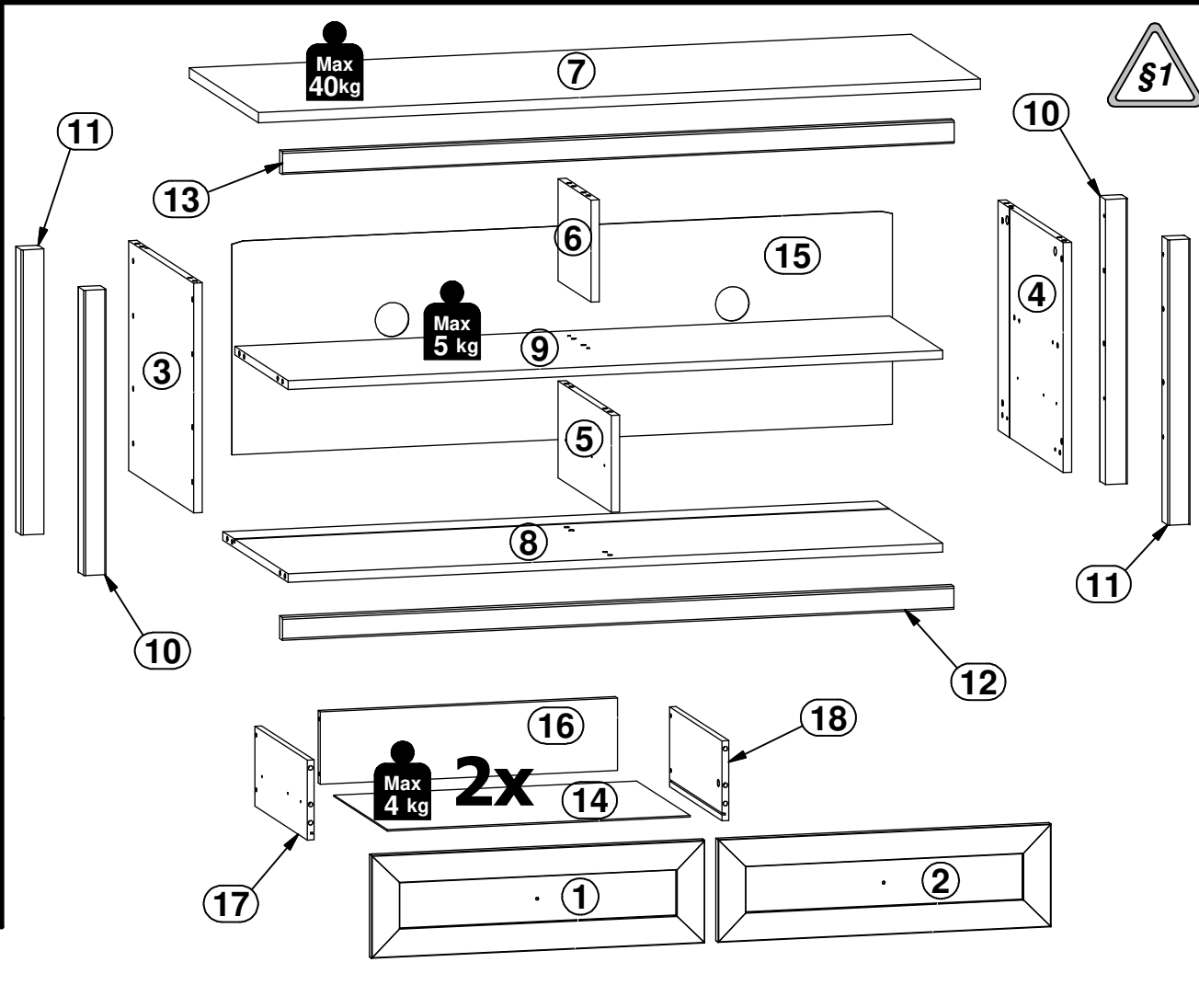


H - 523 mm
W - 1290 mm
D - 462 mm

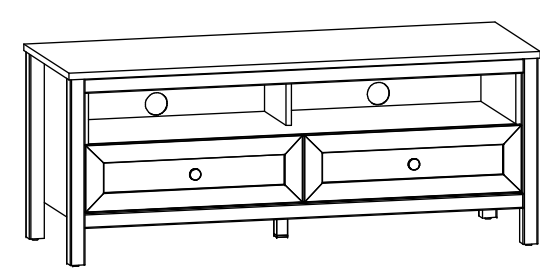


Ø10 mm

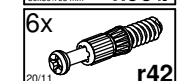
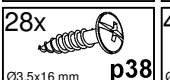
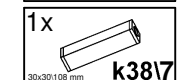
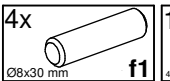
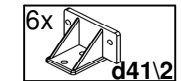
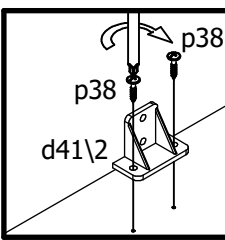
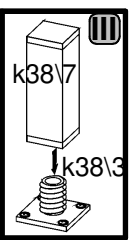
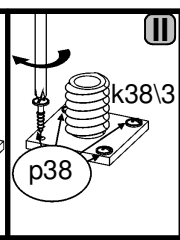
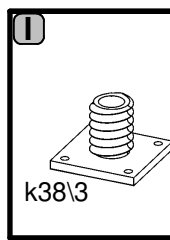
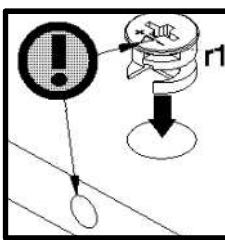
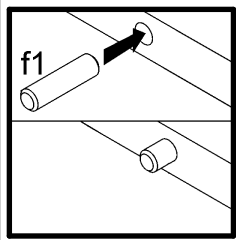
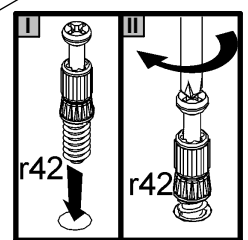
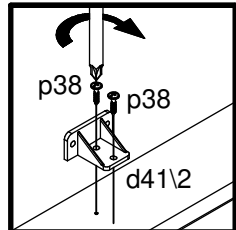
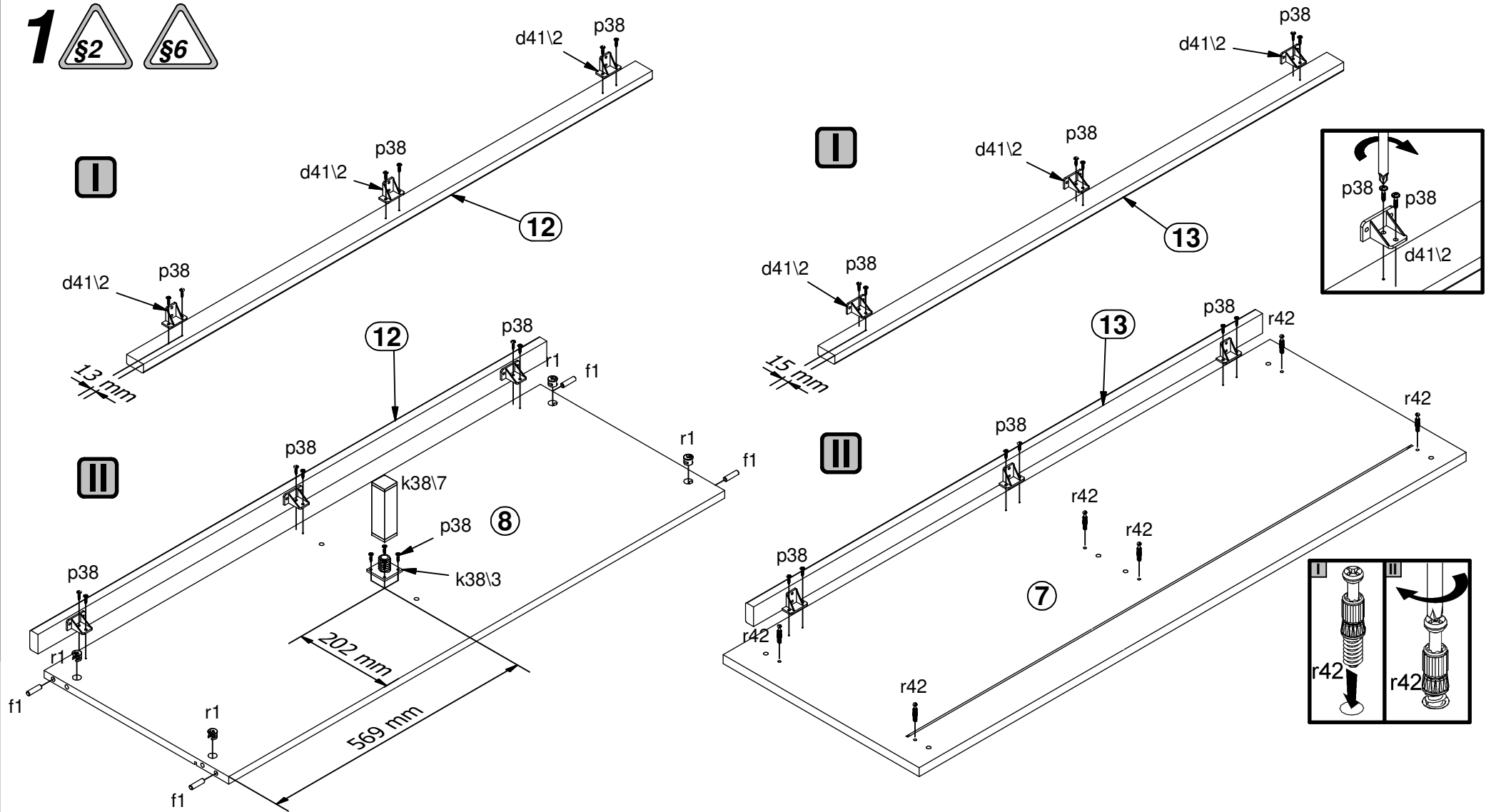
1 h



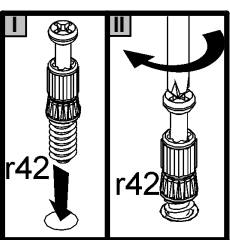
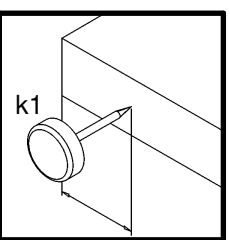
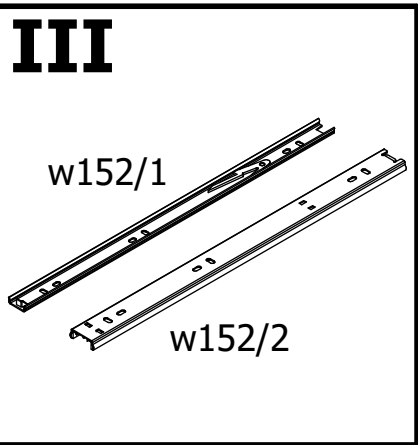
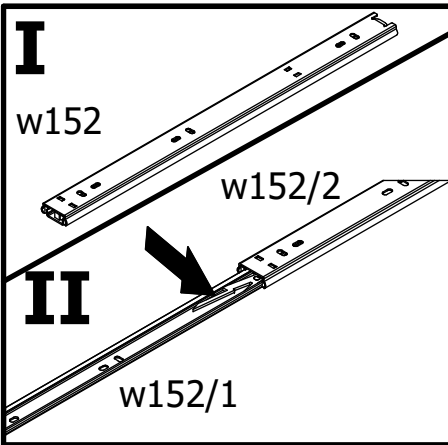
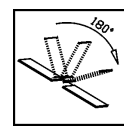
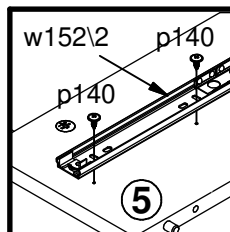
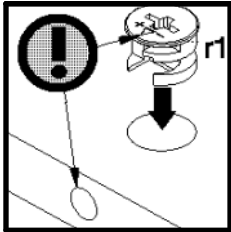
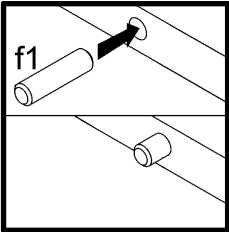
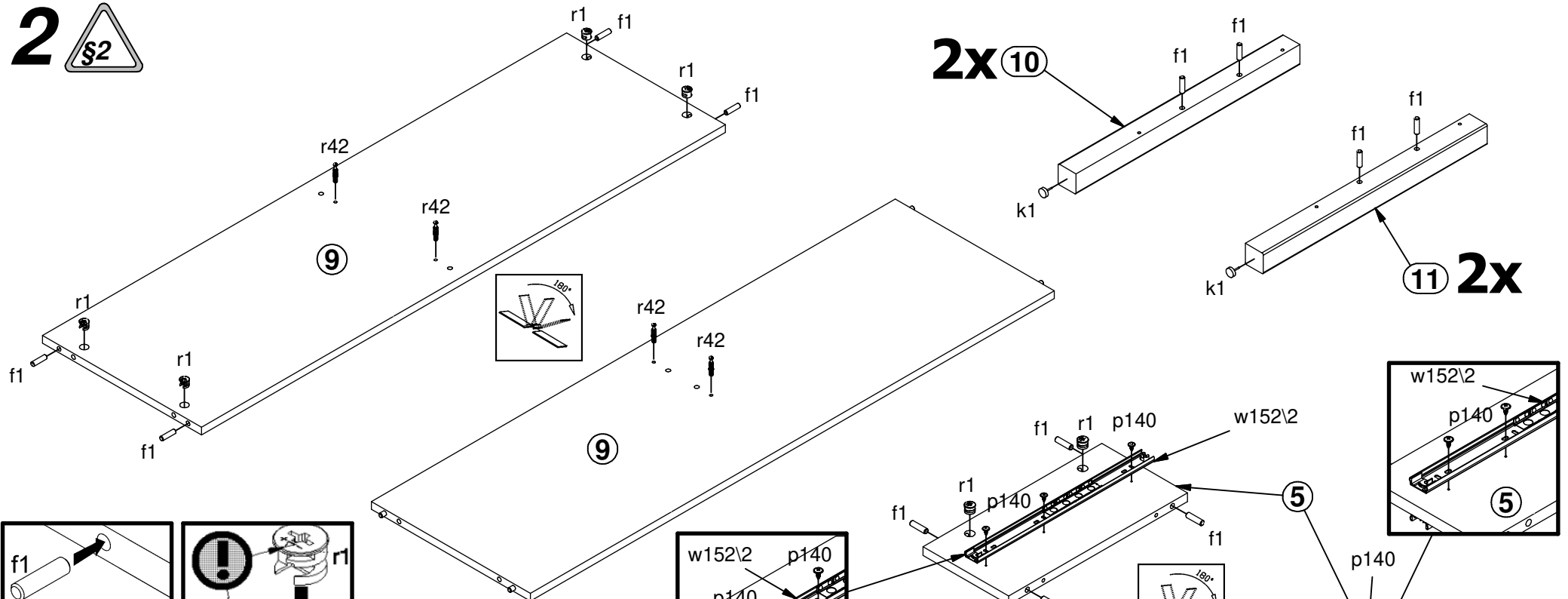
A	B	C (mm)			D
1	S615-0015	595	180	16	1/2
2	S615-0016	595	180	16	1/2
3	S615-1023	403	435	15	1/2
4	S615-1024	403	435	15	1/2
5	S615-1025	170	355	15	1/2
6	S615-1026	179	220	15	1/2
7	S615-2008	1290	462	18	2/2
8	S615-3021	1170	435	15	2/2
9	S615-3022	1170	355	15	2/2
10	S615-5008	500	40	40	1/2
11	S615-5012	500	40	40	1/2
12	S615-5018	1200	40	19	2/2
13	S615-5019	1200	40	19	2/2
14	S615-9015	541	357	2,5	1/2
15	S615-9016	374	1180	2,5	2/2
16	STK-5008	531	127	15	1/2
17	WSK3-5005	350	140	12	1/2
18	WSK3-5006	350	140	12	1/2



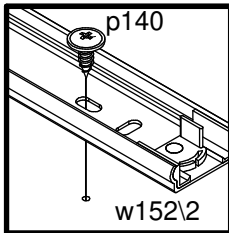
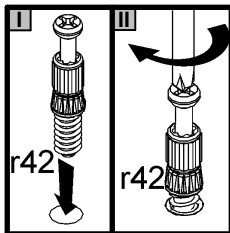
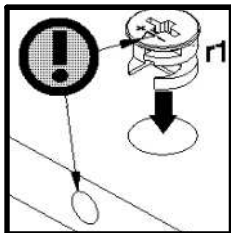
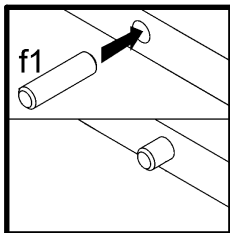
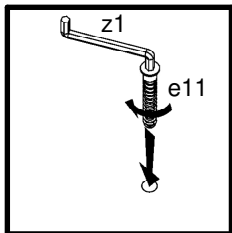
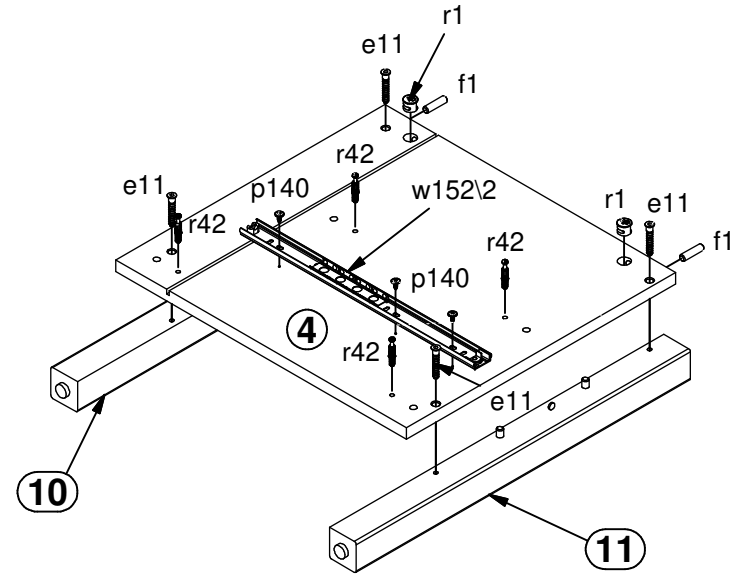
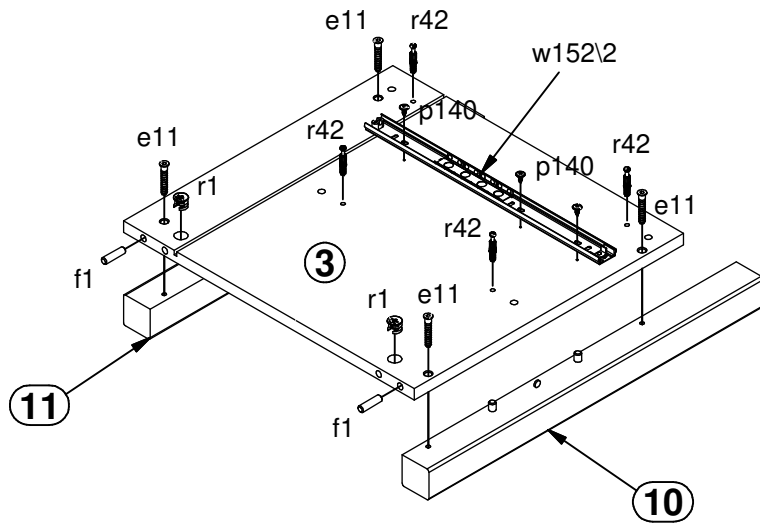
2x c601	6x d4112	2x e1 Ø7x50 mm	8x e11 Ø7x40 mm	cm 0 1 2 3 4 5 6 7 8 9 10							36x f1 Ø8x30 mm	8x f25 Ø6,5x40 mm	2x f35 Ø10x50 mm	<table border="1"><tr><th>D</th></tr><tr><td>1/2</td></tr></table>	D	1/2
D																
1/2																
2x j125 M4x7 mm	4x k1	1x k383 42,5x42,5x4 mm	1x k387 30x30x109 mm	15x l1 1,4x20 mm	10x l2	2x n211 30x15x16 1/2	4x o21 silikon	26x p140 Ø3,5x12 mm	2x p17 Ø5x60 mm	40x p38 Ø3,5x16 mm	2x p51 Ø3,5x15 mm	18x r1 Ø15x12 mm #16				
4x r15 Ø12x10,5 mm #12	22x r42 20/1,1	2x s59 Ø14x0,5 mm	6x s68 Ø 20mm	2x t35 350 mm	4x w152\1 350/580 mm	4x w152\2 350/580 mm	1x z1 4 mm									

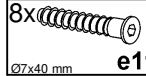
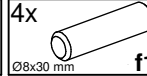


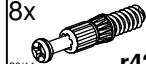

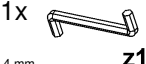


2

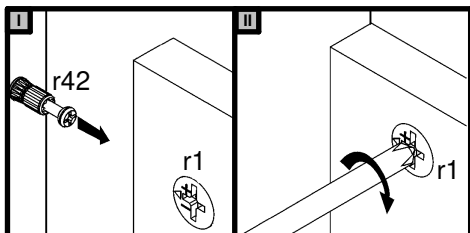
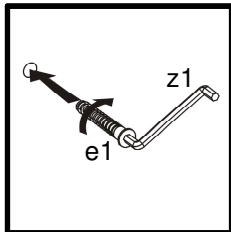
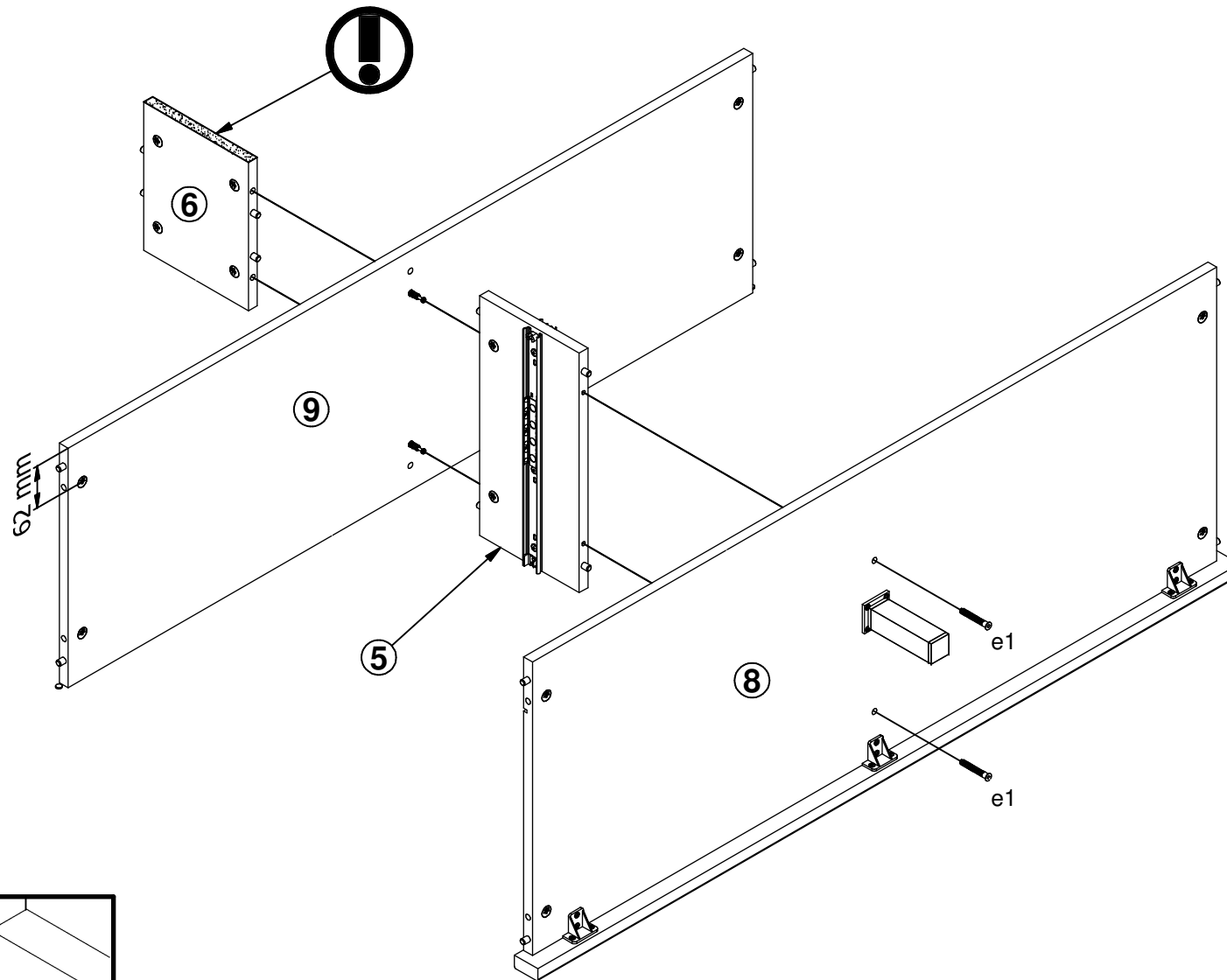




20x Ø8x30 mm f1	4x k1	6x Ø3.5x12 mm p140
10x Ø15x12 mm #16 r1	4x r42	2x 350x580 mm w152/2



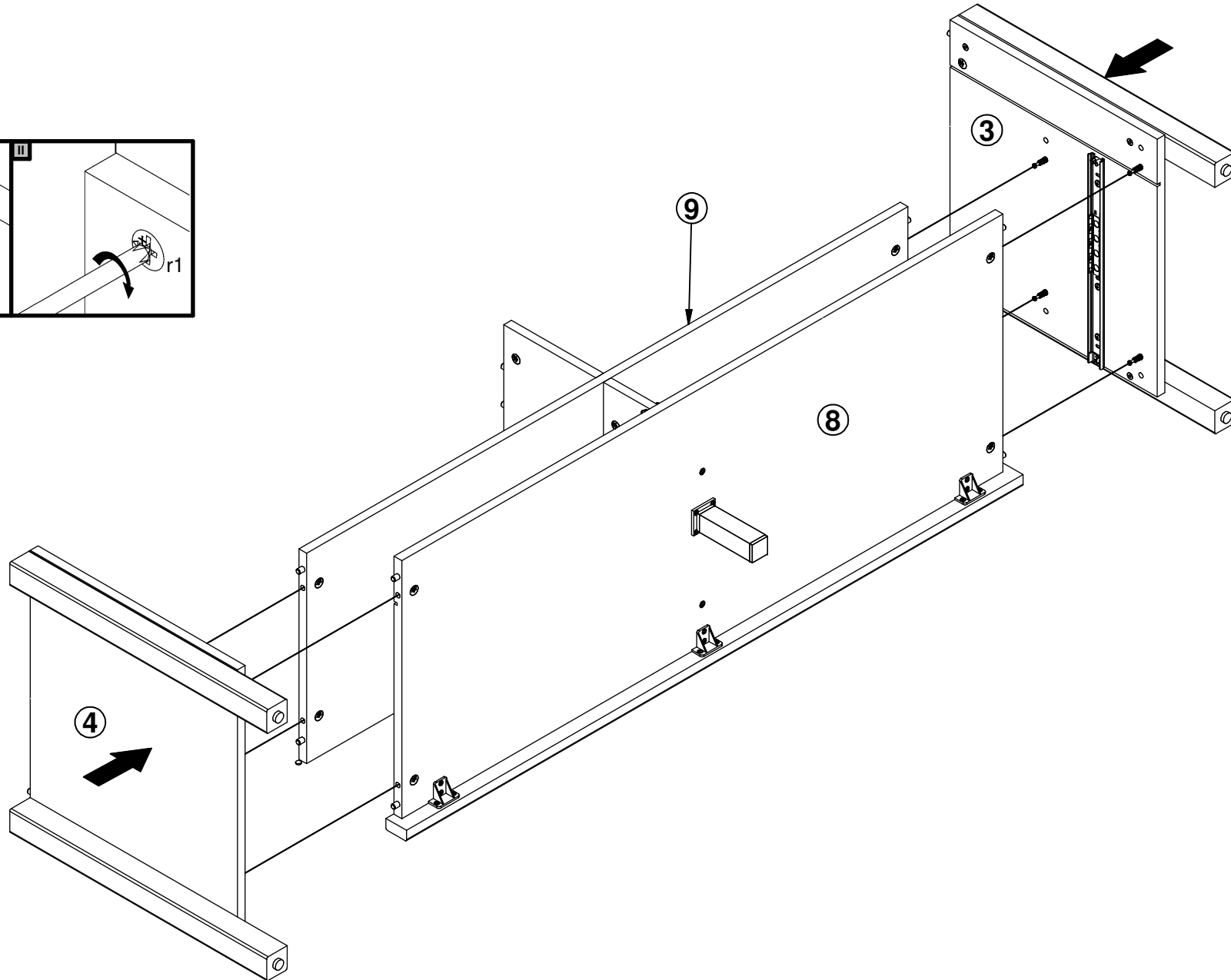
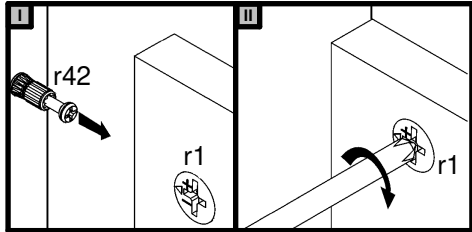
 8x Ø7x40 mm e11	 4x Ø8x30 mm f1	 6x Ø3.5x12 mm p140	 4x Ø15x12 mm #16 r1
 8x 20x11 r42	 2x 350/580 mm w152\2	 1x 4 mm z1	

4 

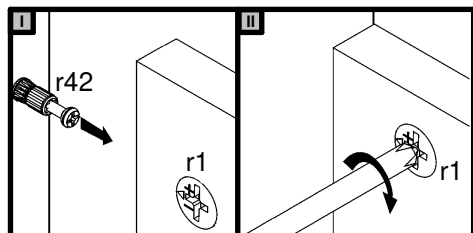
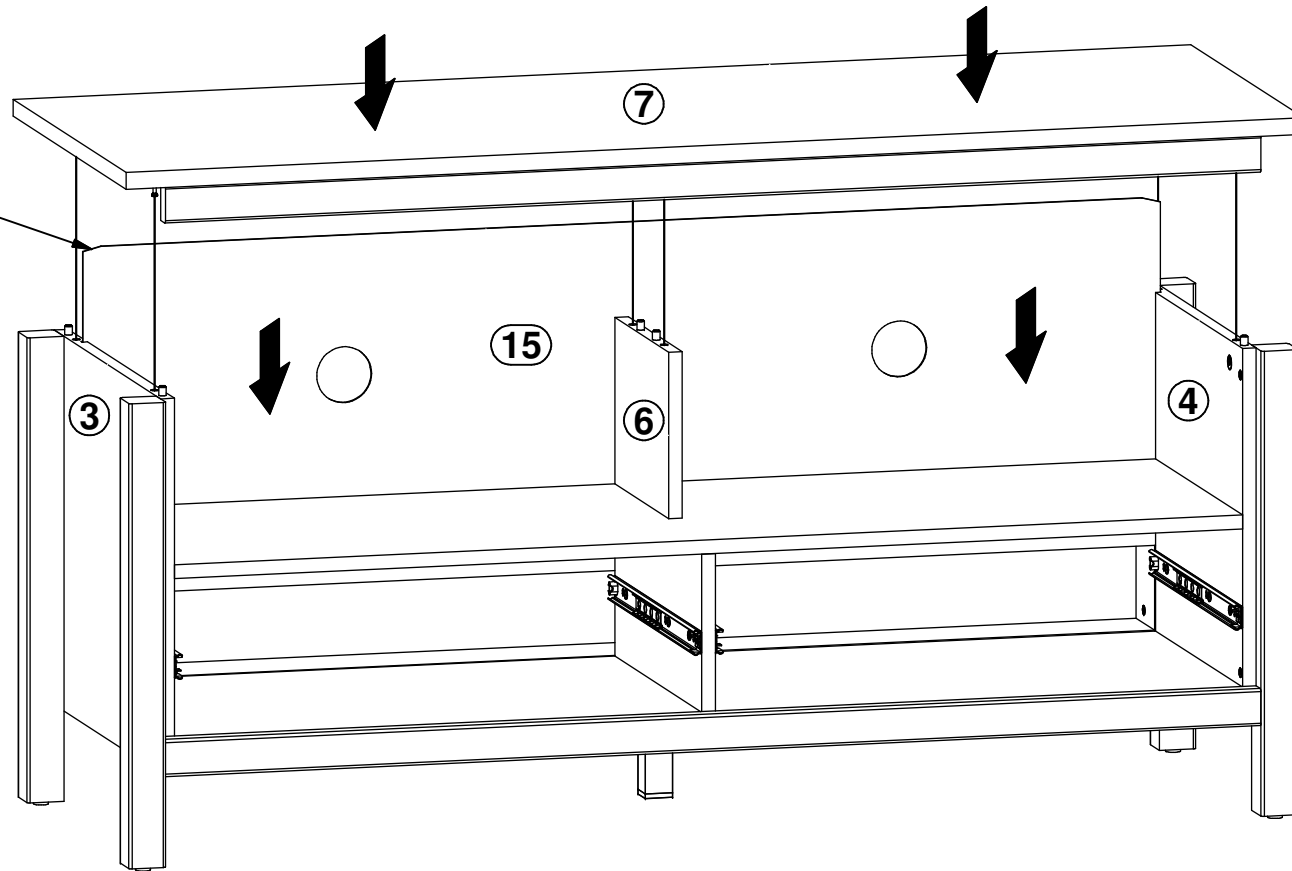
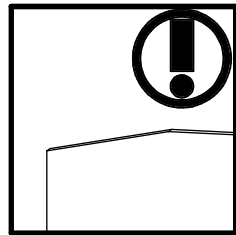


2x		1x	
	Ø7x50 mm		4 mm
	e1		z1

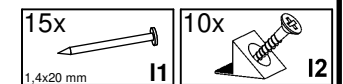
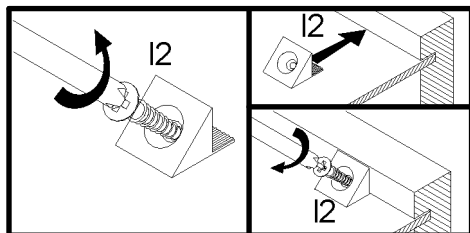
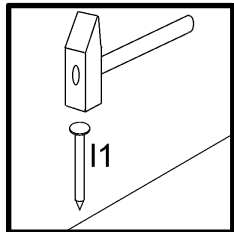
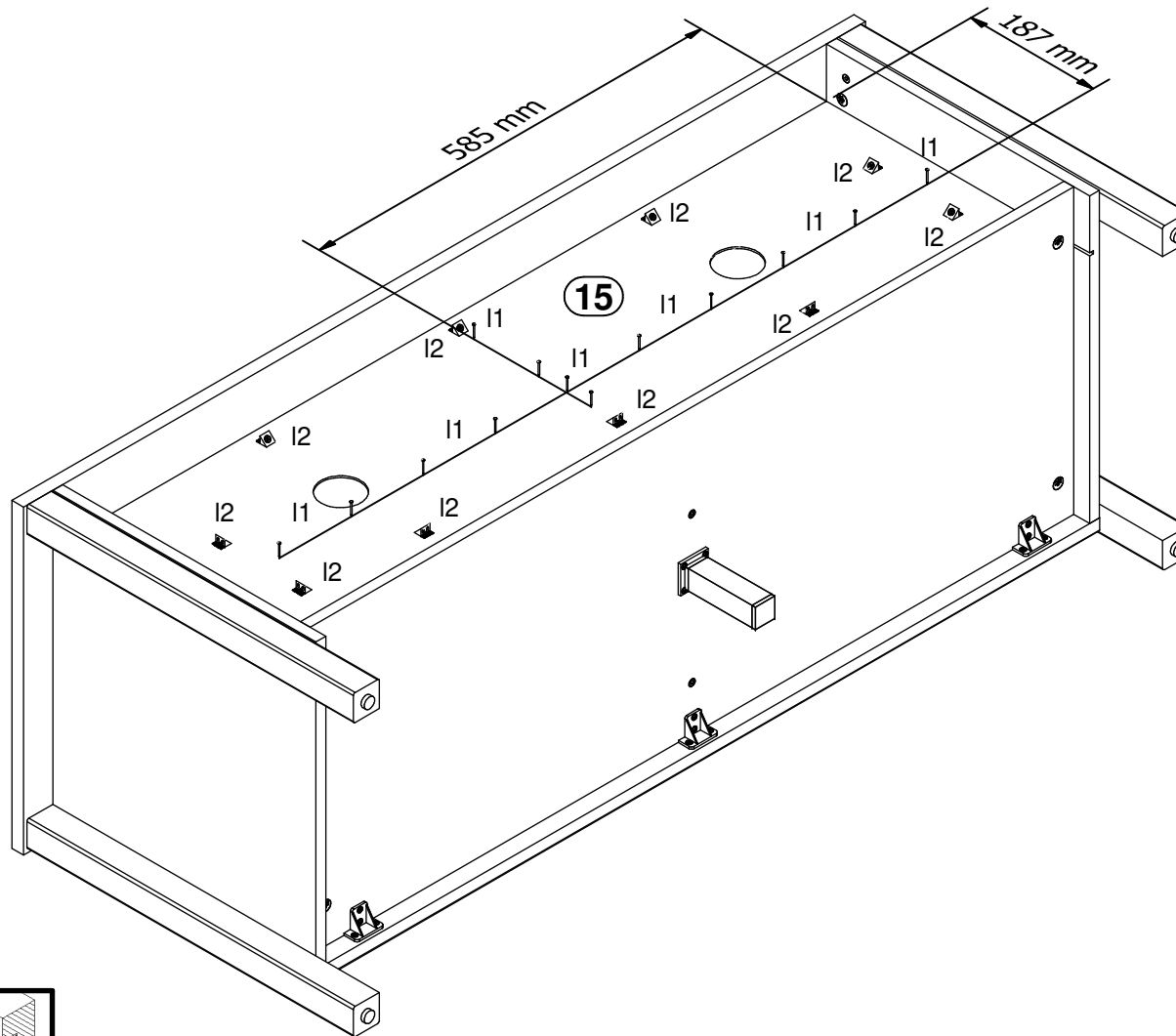
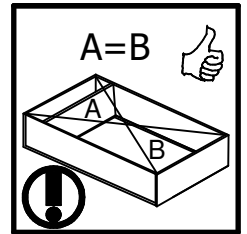
5 



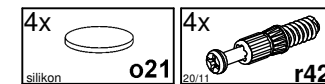
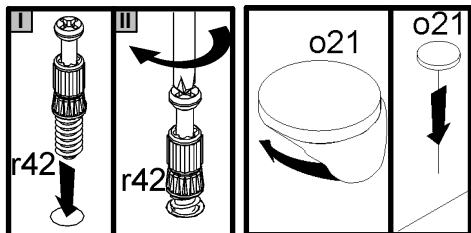
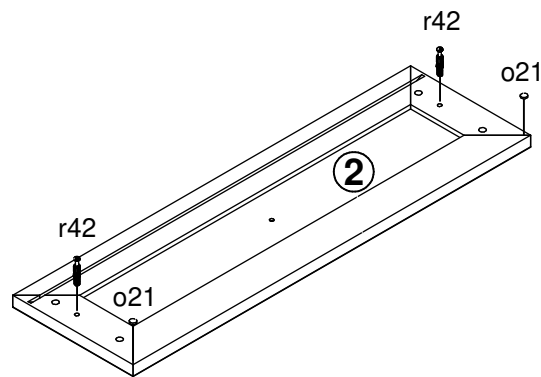
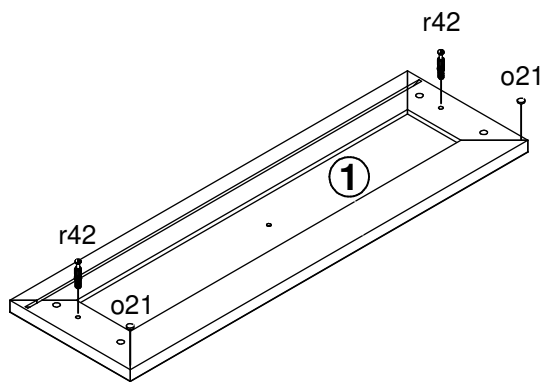
6 



7 

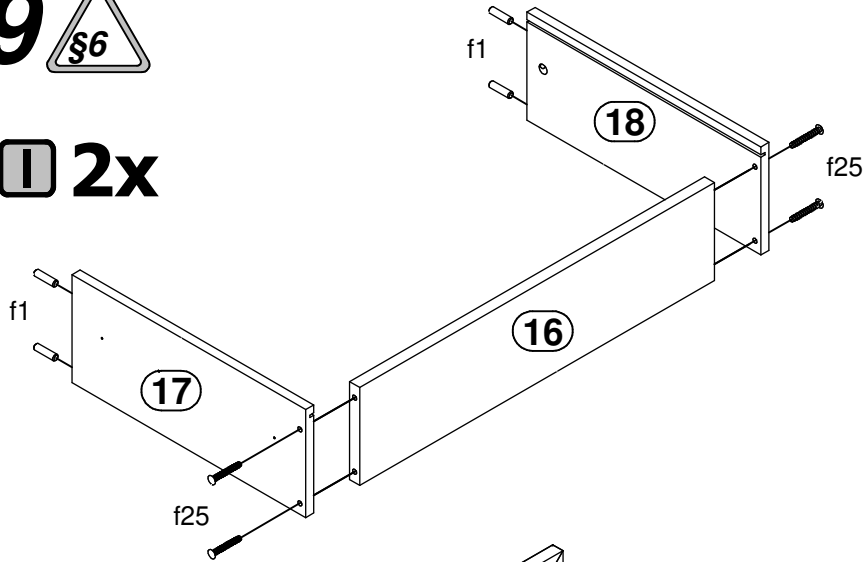


8 

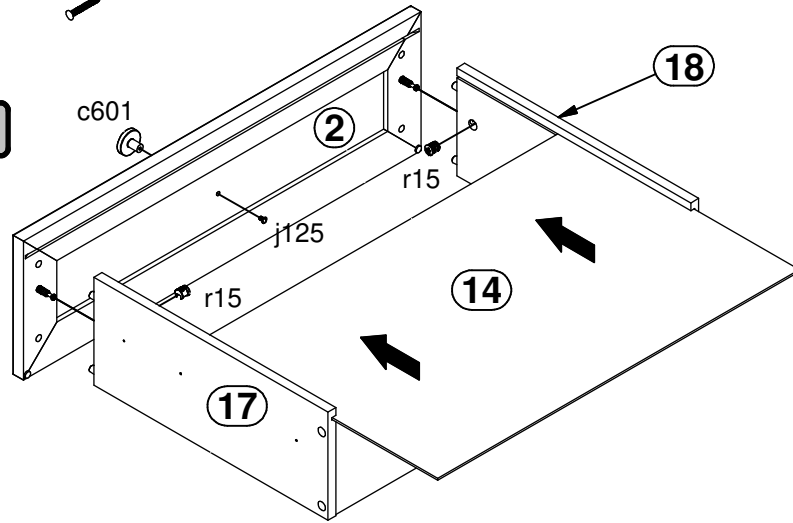


9  §6

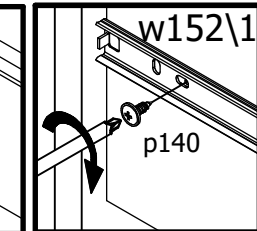
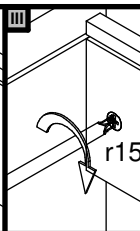
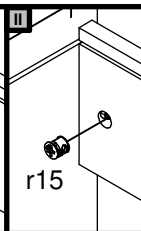
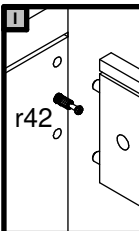
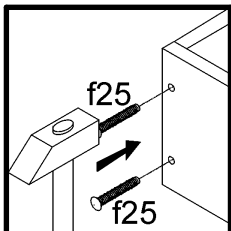
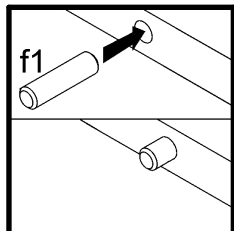
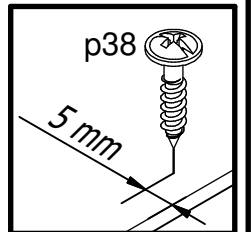
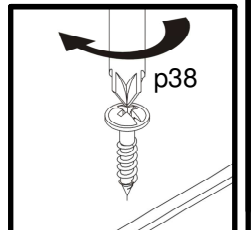
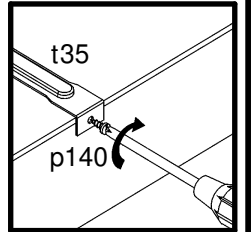
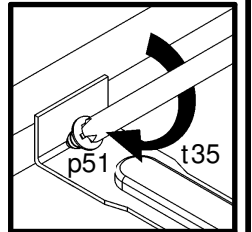
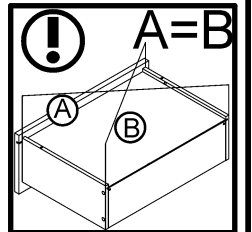
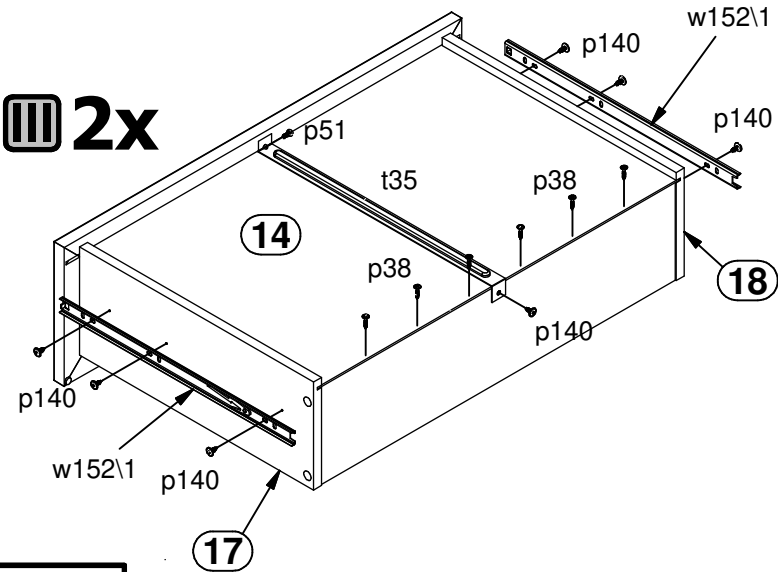
I 2x




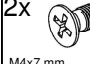

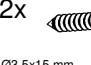

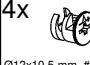
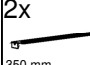
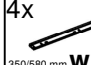


II

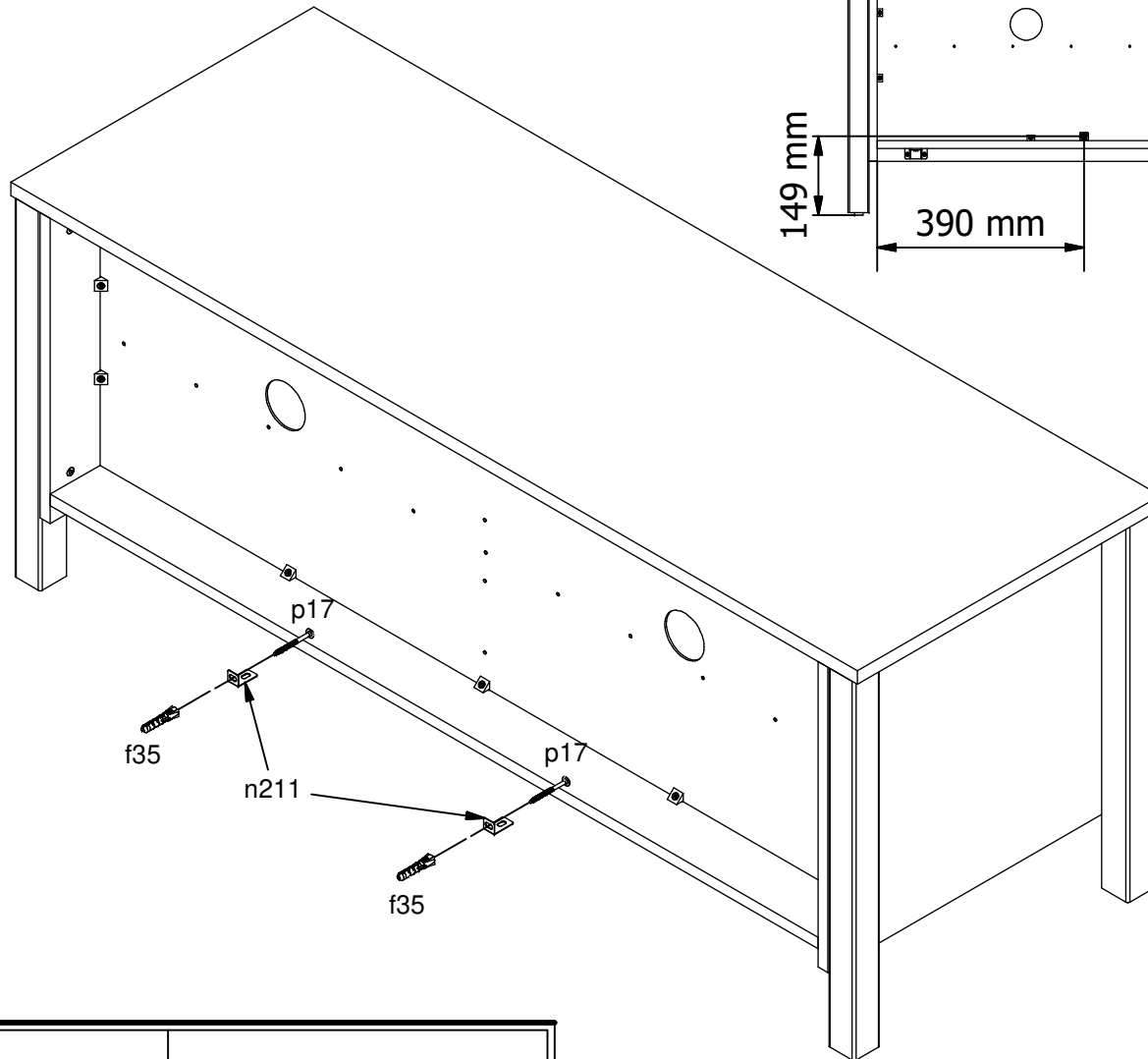



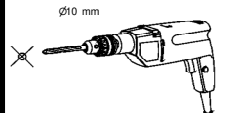
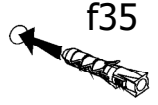
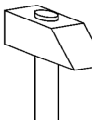
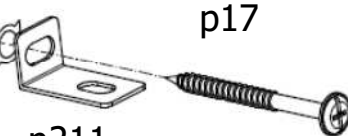
III 2x






2x  c601	8x  f1	8x  f25	2x  j125	12x  p38
2x  p51	14x  p140	4x  r15	2x  t35	4x  w152\1

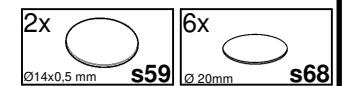
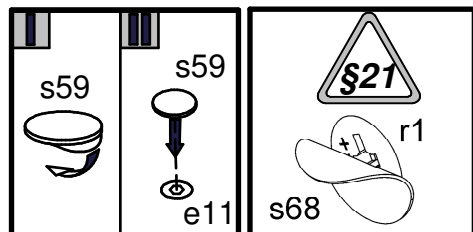
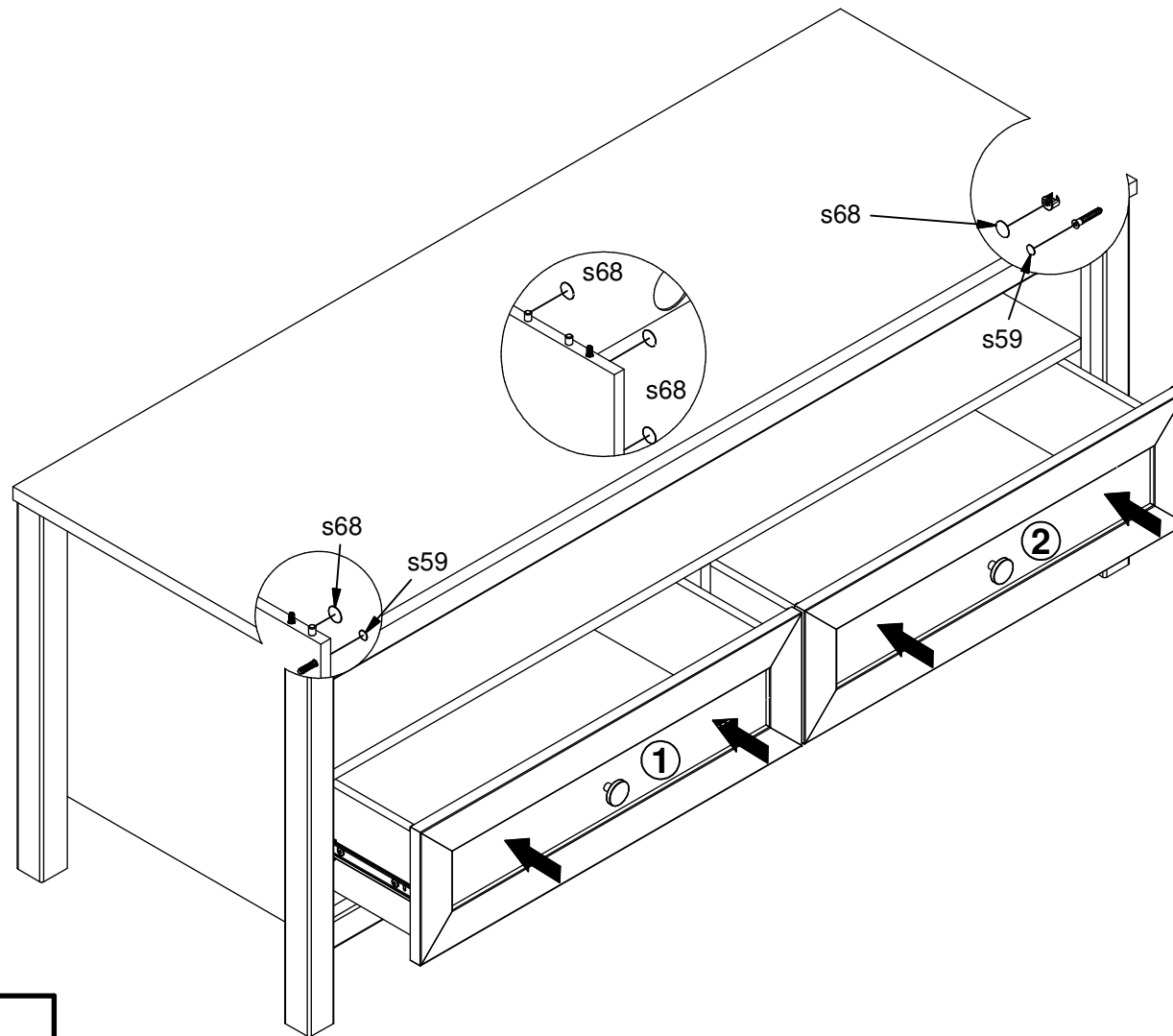
10 



				
---	---	---	---	--

2x  f35	2x  n211	2x  p17
--	---	--

11 



12

