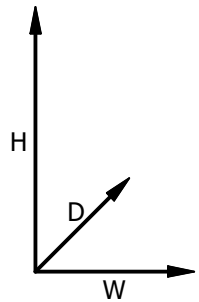
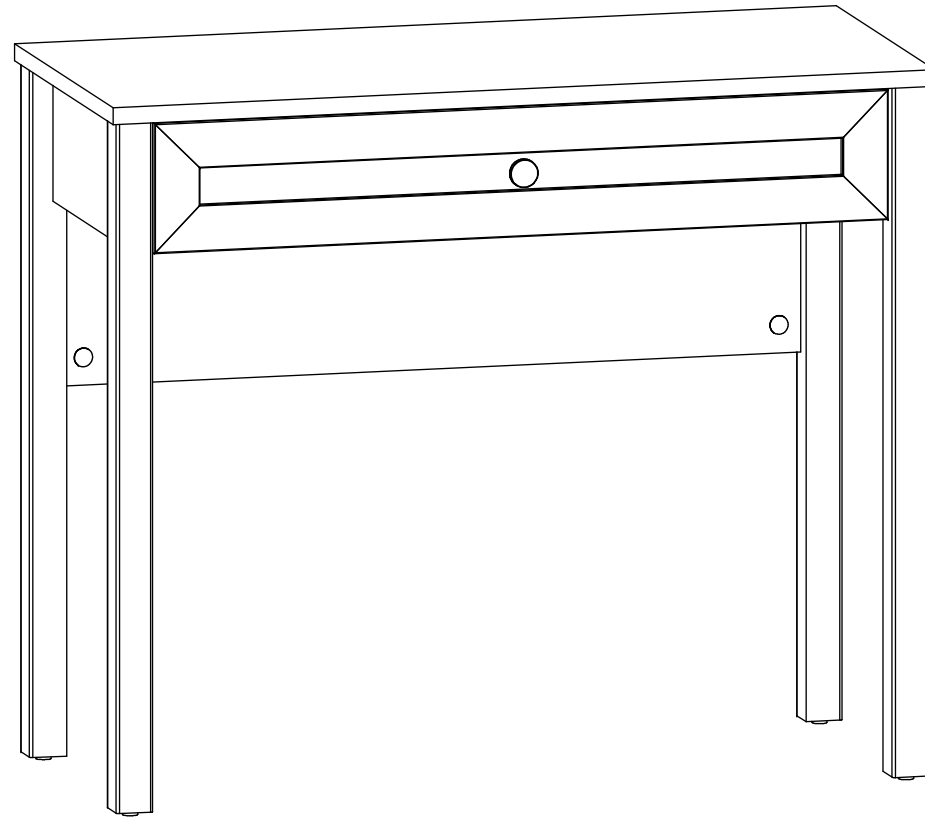
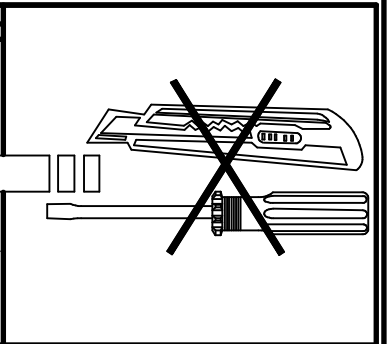
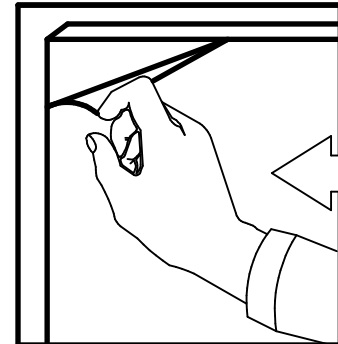
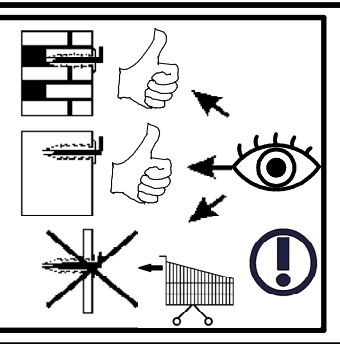
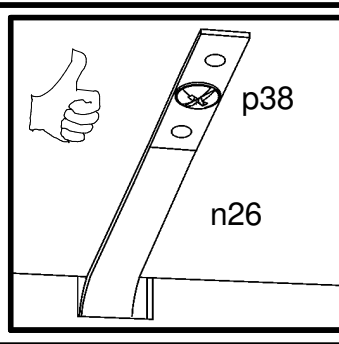
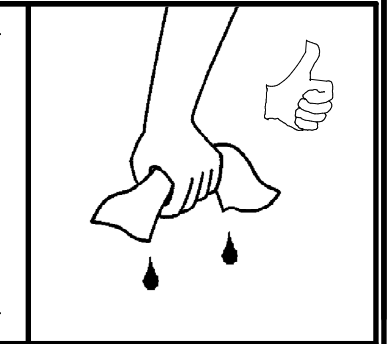
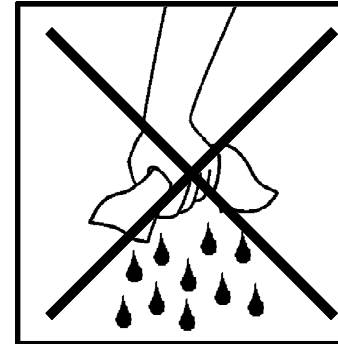
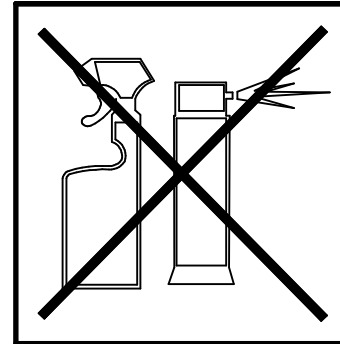
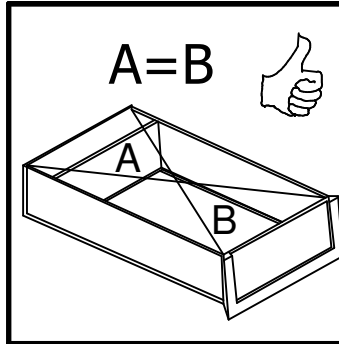
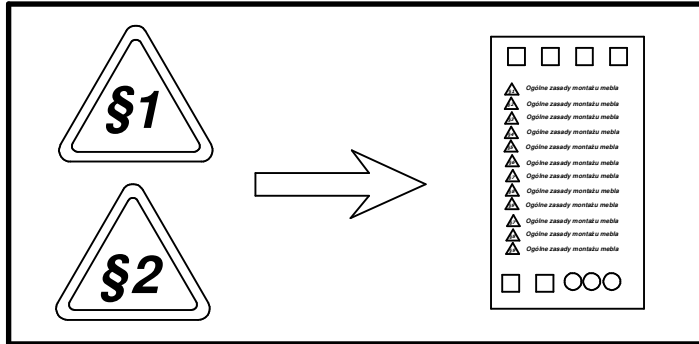
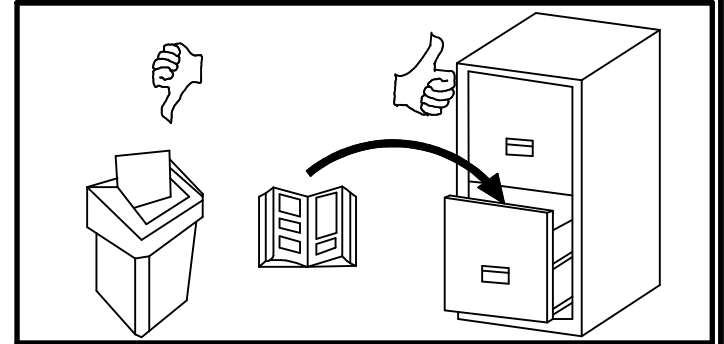
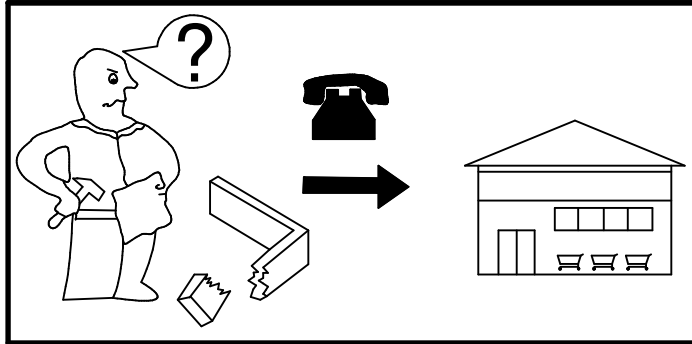
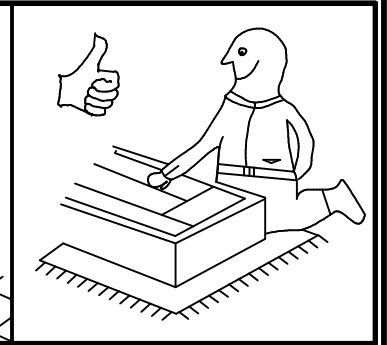
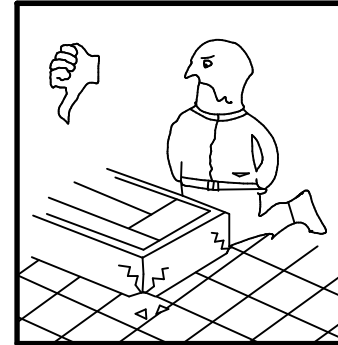
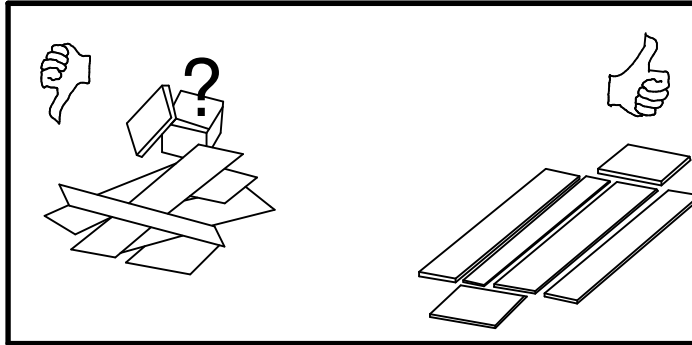
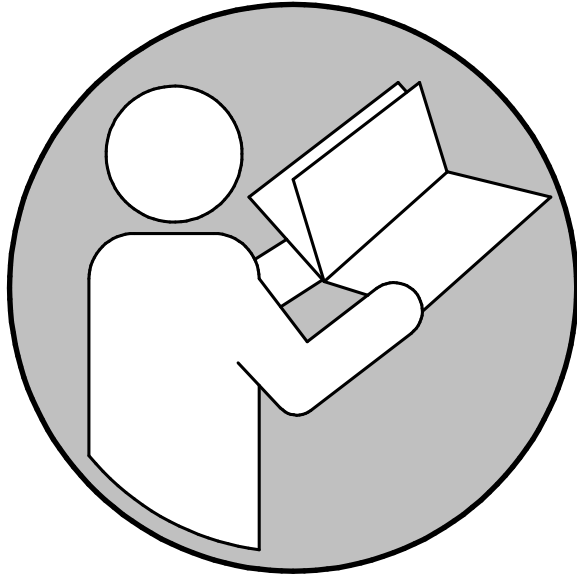


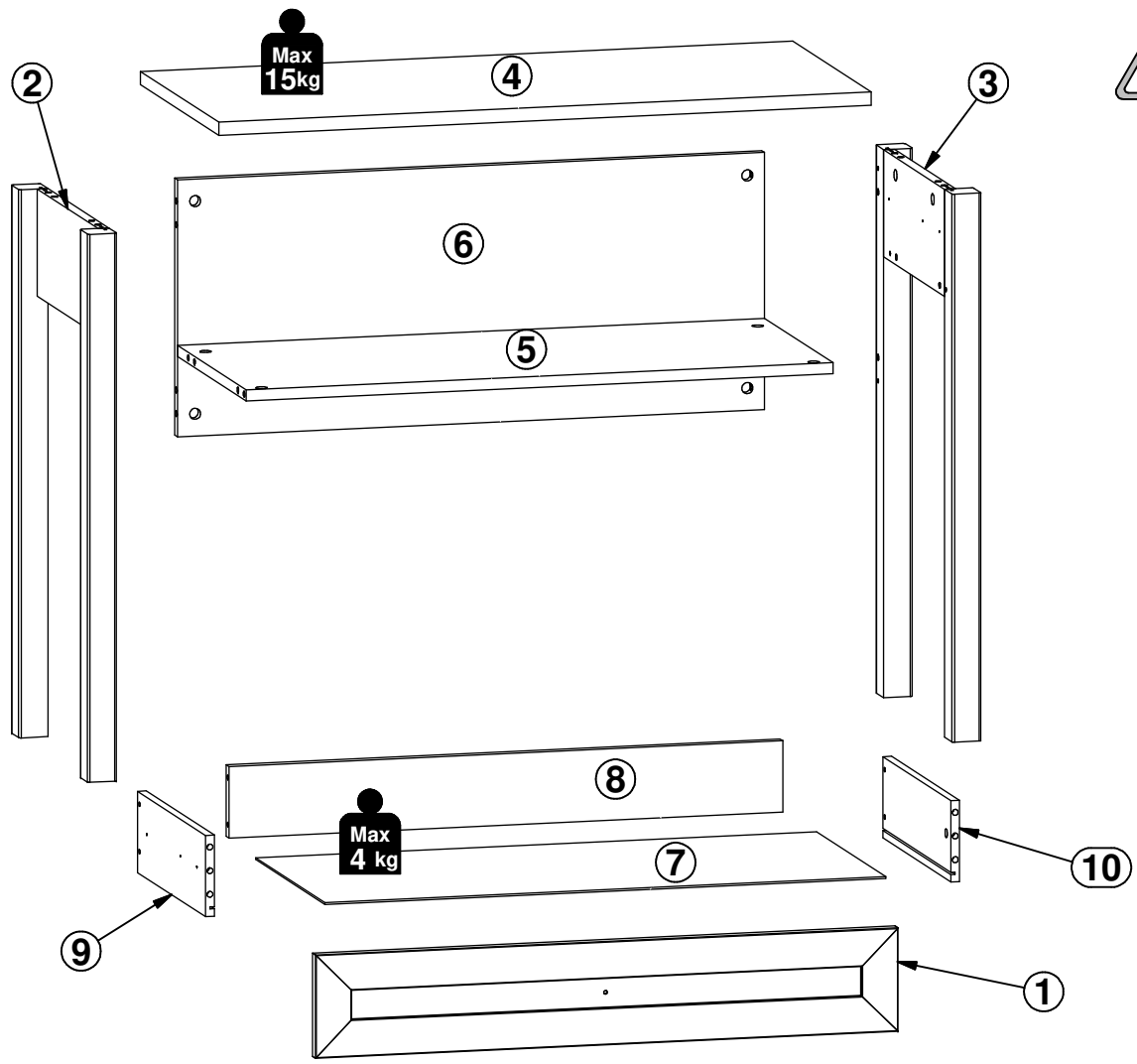
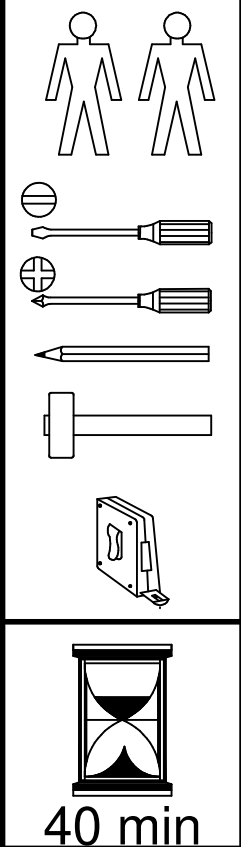
SALGA

S615-TOL1S

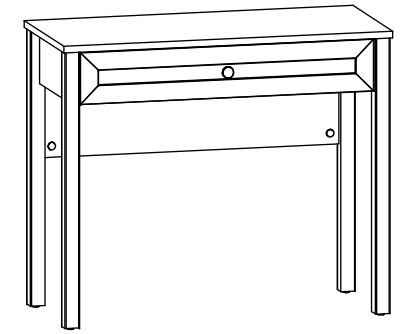


H - 765 mm
W - 900 mm
D - 404 mm



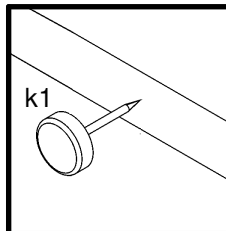
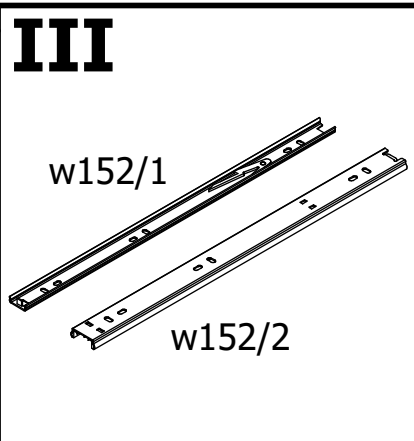
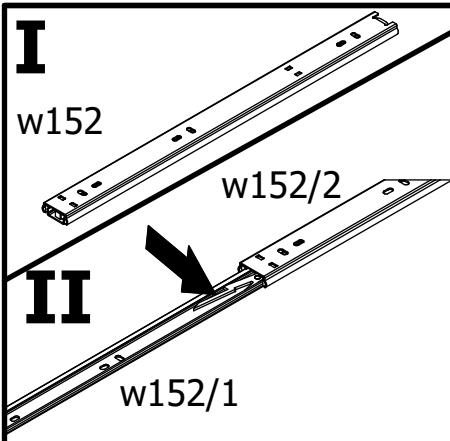
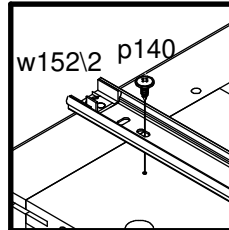
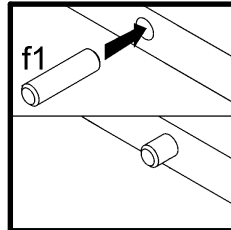
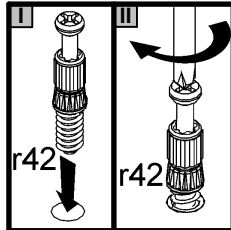
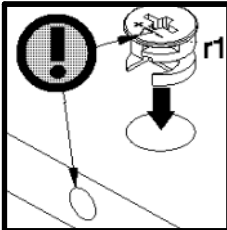
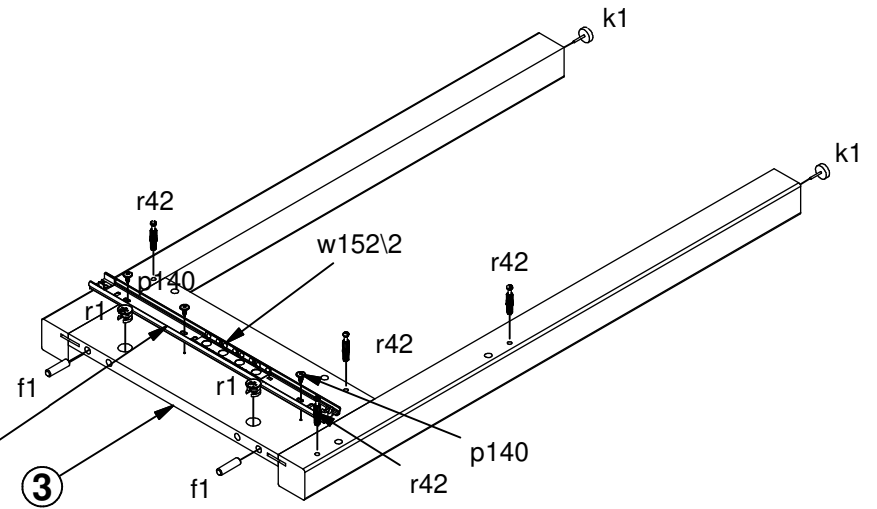
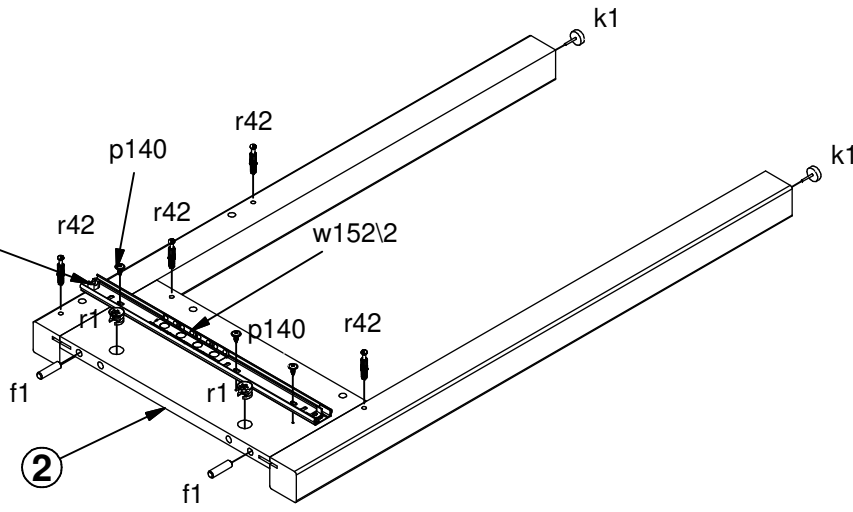
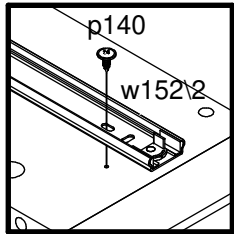


A	B	C (mm)			D
1	S615-0019	804	140	16	1/1
2	S615-1032	742	394	40	1/1
3	S615-1033	742	394	40	1/1
4	S615-2011	900	404	18	1/1
5	S615-3026	810	353	15	1/1
6	S615-4022	810	348	15	1/1
7	S615-9019	774	357	2,5	1/1
8	STK-5010	764	97	15	1/1
9	WSK2-5005	350	110	12	1/1
10	WSK2-5006	350	110	12	1/1



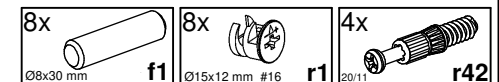
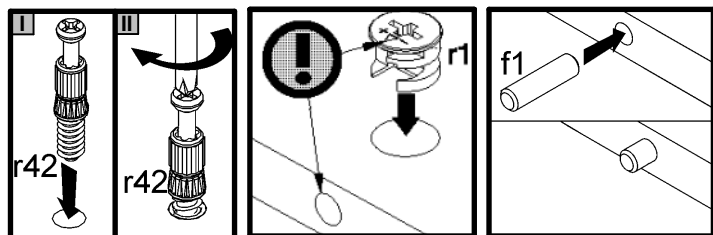
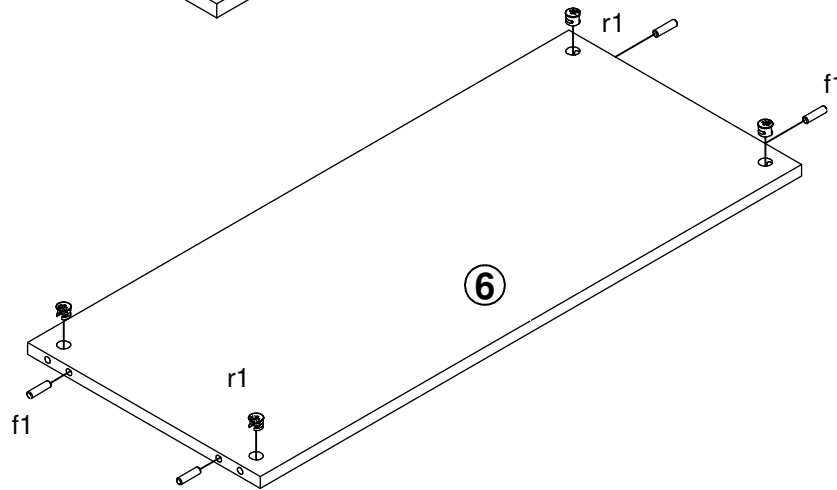
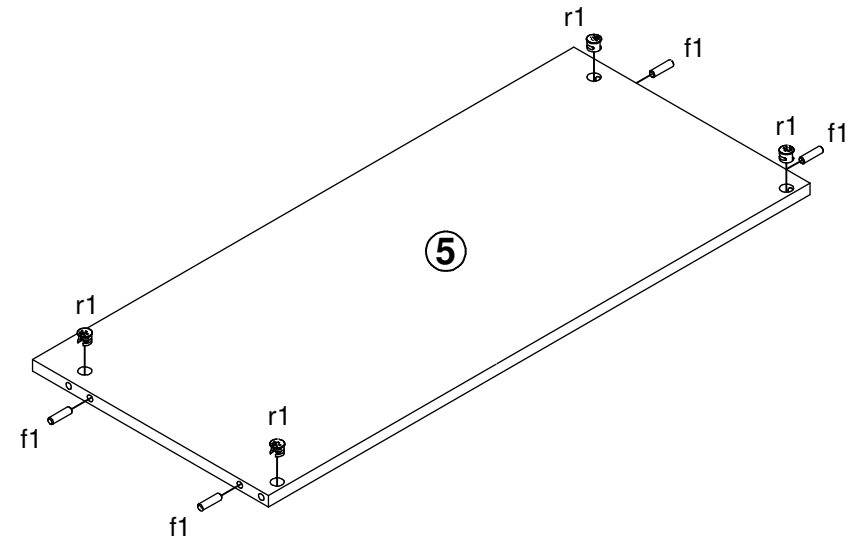
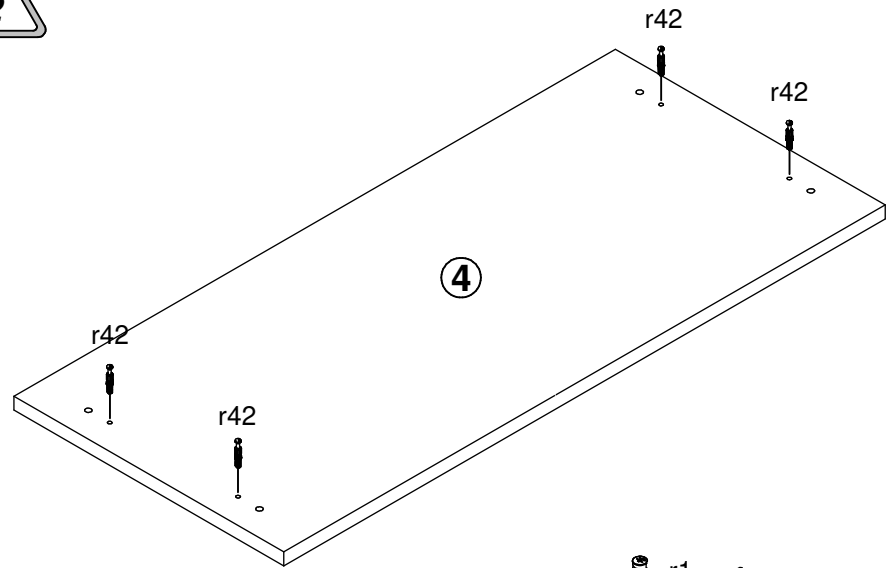
1x c601	16x f1 Ø8x30 mm	4x f25 Ø6,5x40 mm	1x j125 M4x7 mm	cm 0 1 2 3 4 5 6 7 8 9 10							4x k1	1x n26	1x o21 silikon	<table border="1"><tr><td>D</td></tr><tr><td>1/1</td></tr></table>	D	1/1
D																
1/1																
1x p38 Ø3,5x16 mm	1x p51 Ø3,5x15 mm	6x p55 Ø2,9x16 mm	13x p140 Ø3,5x12 mm	12x r1 Ø15x12 mm #16	2x r15 Ø12x10,5 mm #12	14x r42 Ø20/11	2x s68 Ø 20mm	1x t35 350 mm	2x w152/1 350/580 mm	2x w152/2 350/580 mm						

1

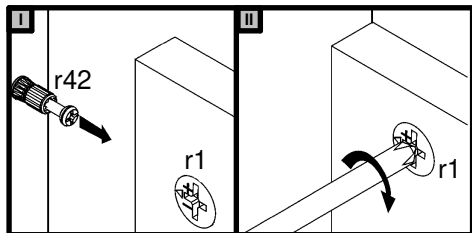
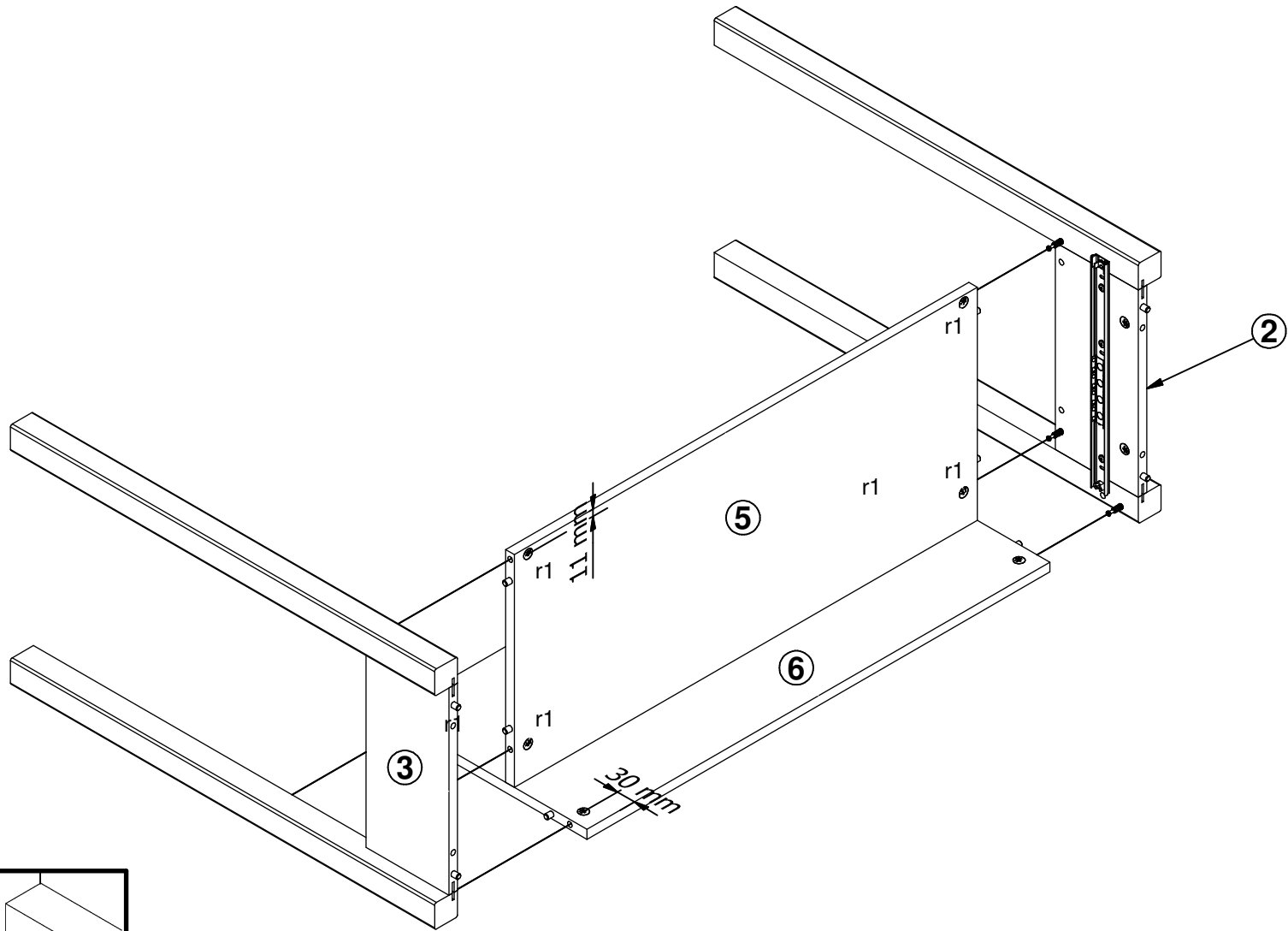


4x Ø8x30 mm f1	4x k1	6x Ø3.5x12 mm p140
4x Ø15x12 mm #16 r1	8x 20/11 r42	2x 350/580 mm w152/2

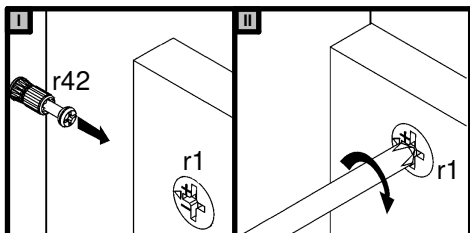
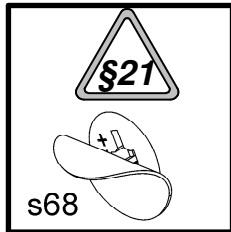
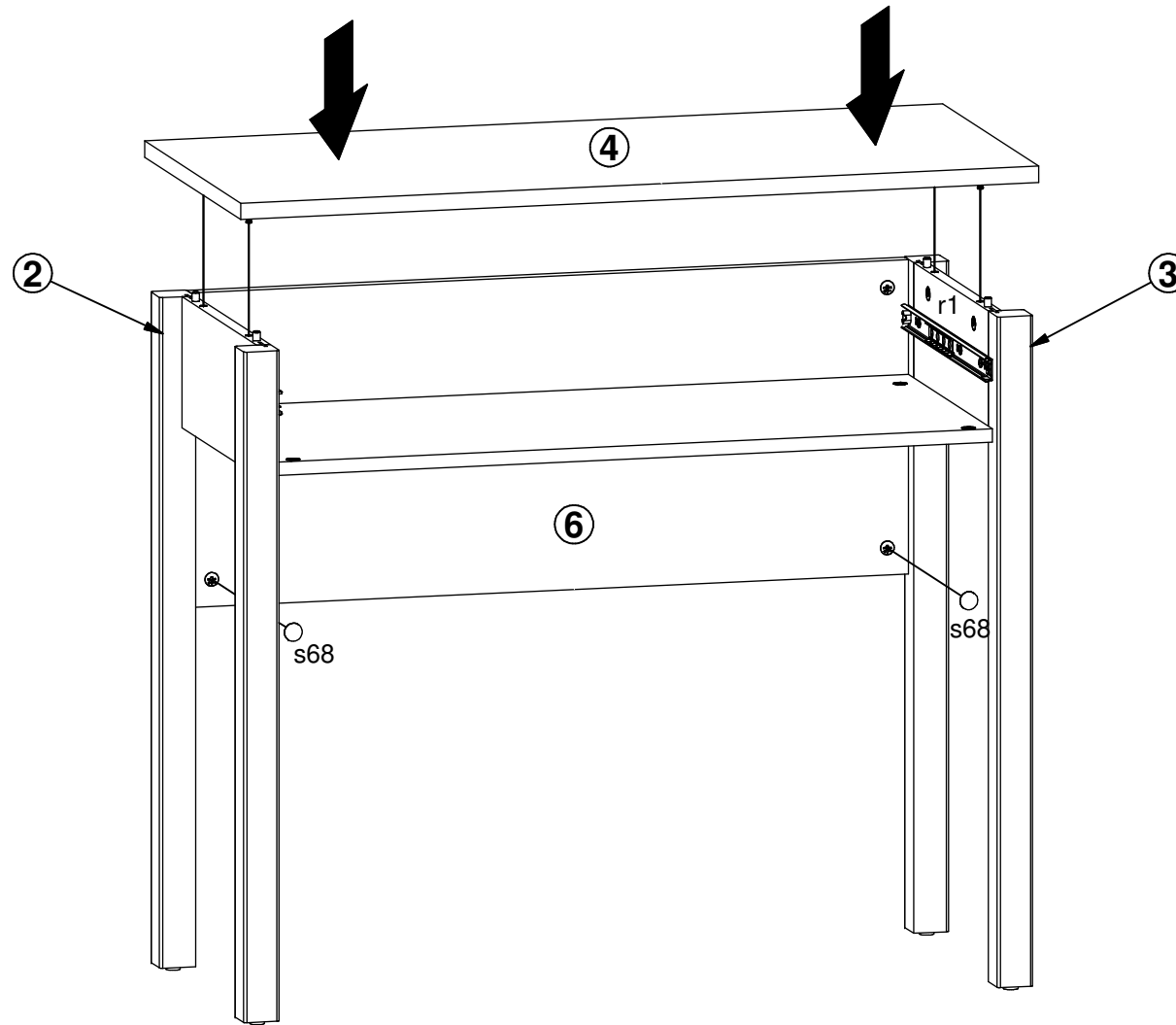
2 




3 

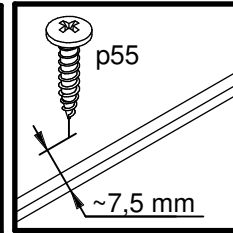
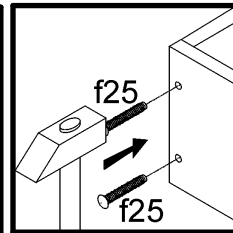
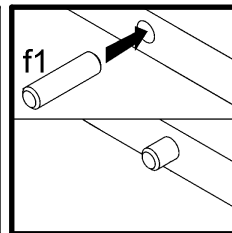
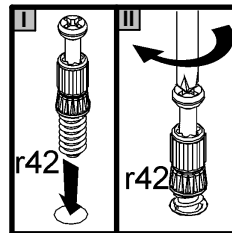
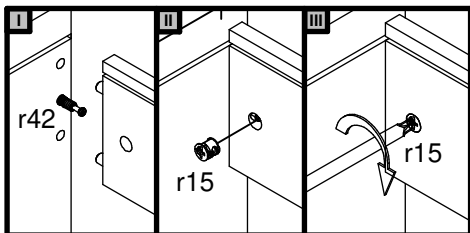
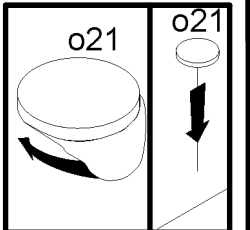
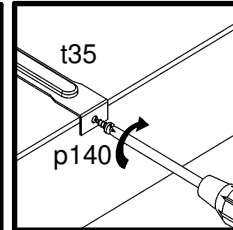
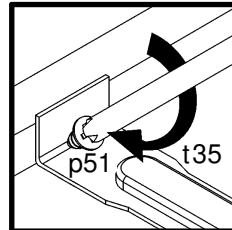
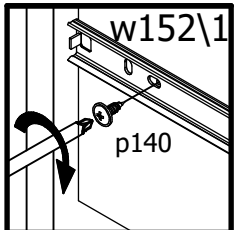
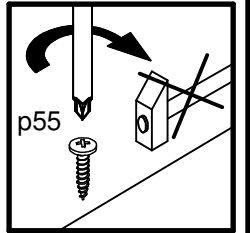
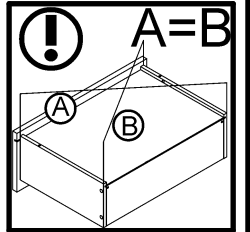
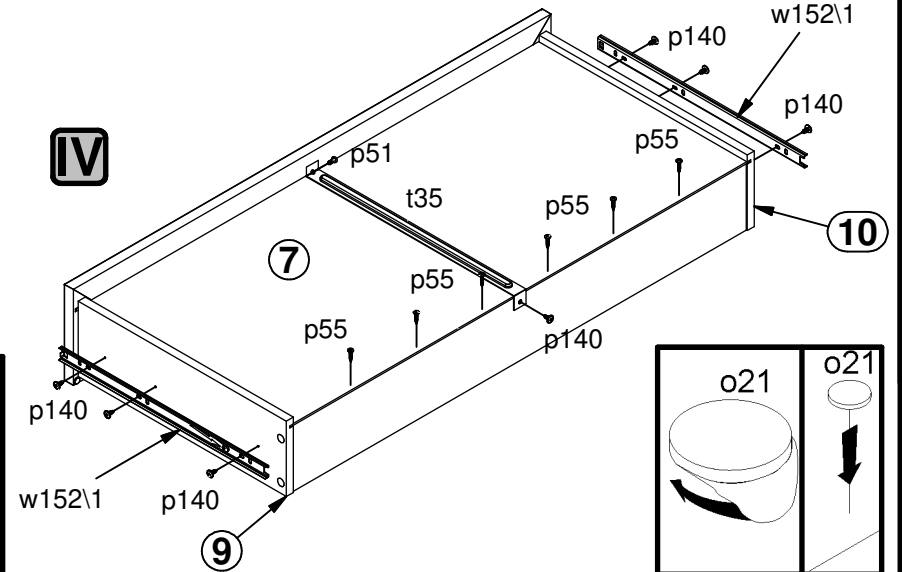
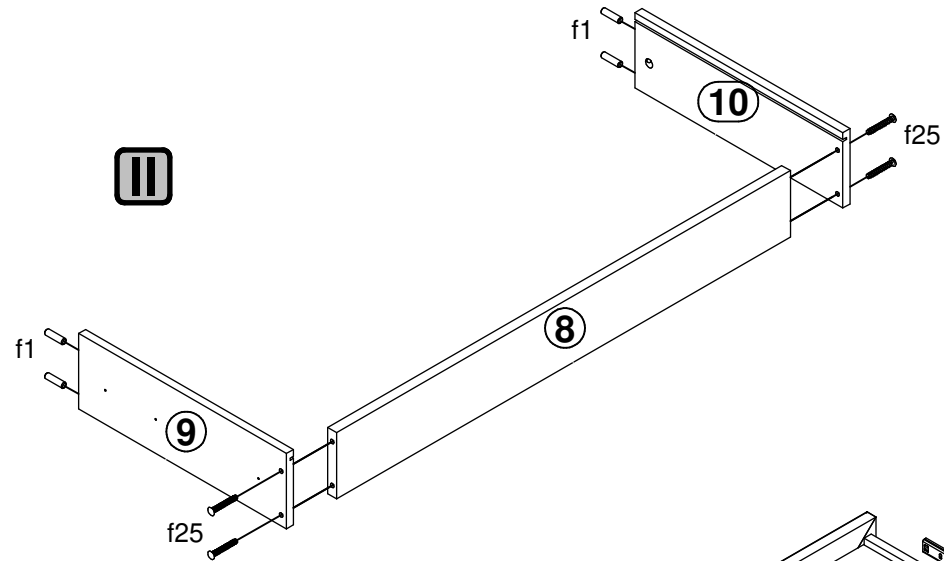
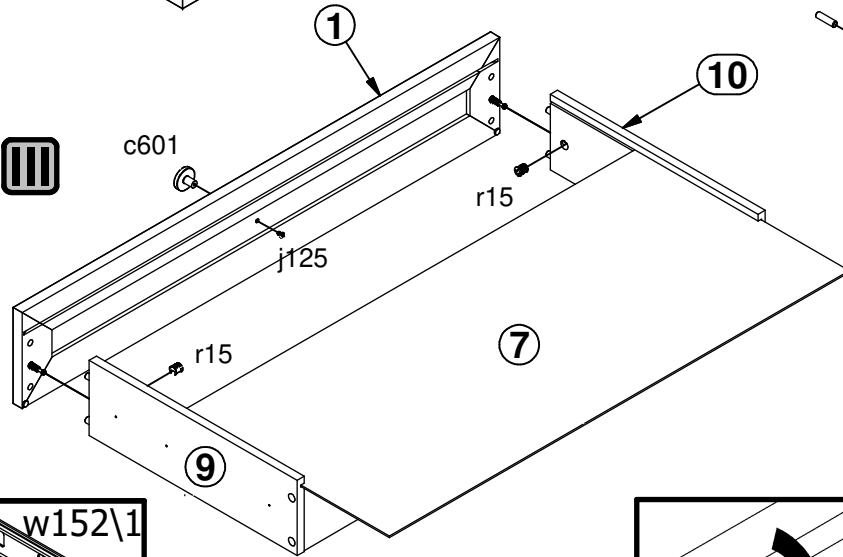
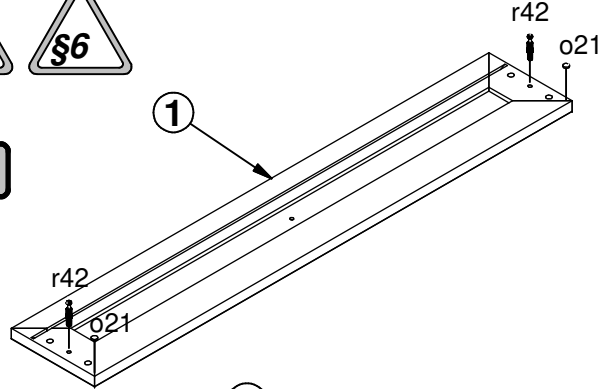


4 



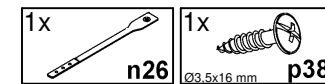
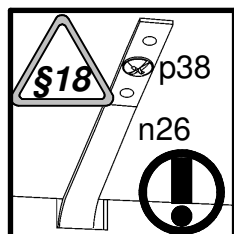
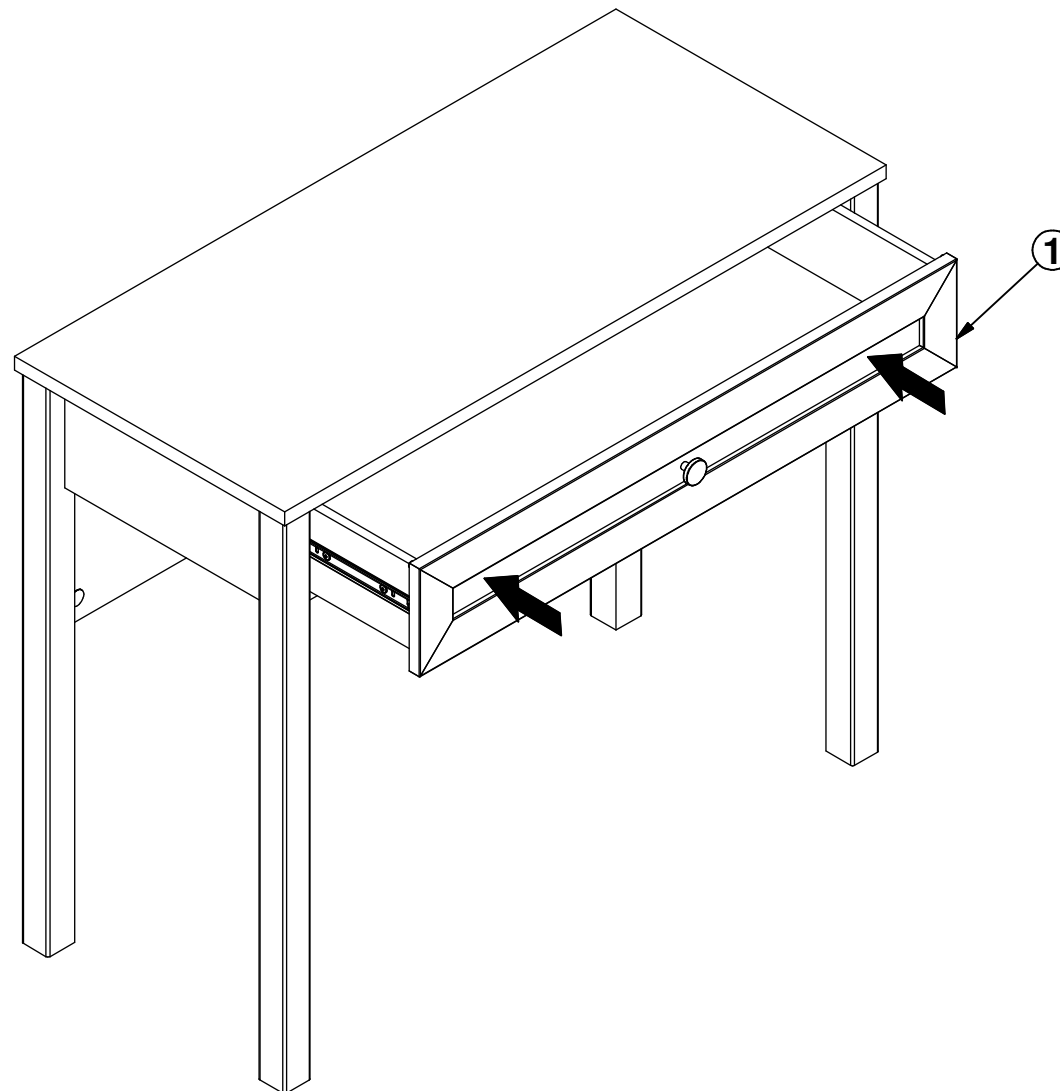
2x  s68
Ø 20mm

5



1x c601	4x Ø8x30 mm f1	4x Ø6,5x40 mm f25	1x M4x7 mm j125
2x silikon o21	1x Ø3,5x15 mm p51	6x Ø2,9x16 mm p55	7x Ø3,5x12 mm p140
2x Ø12x10,5 mm #12 r15	2x r42	1x 350 mm t35	2x 350x580 mm w152\1

6 



7

