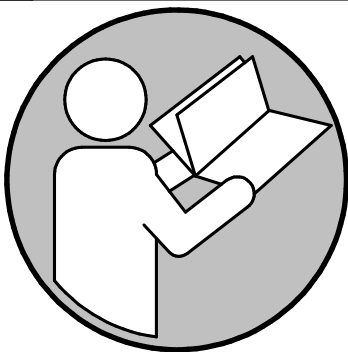


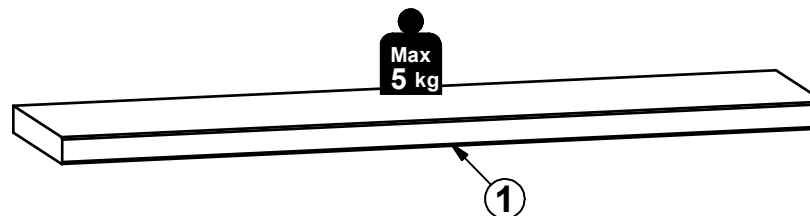
A

S128-POL/100 S128-POL/140



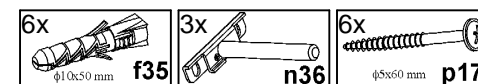
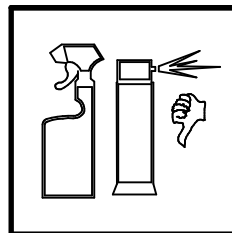
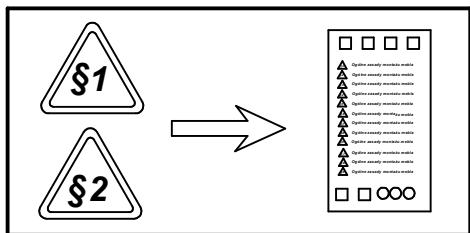
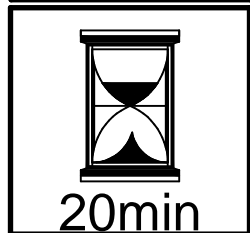
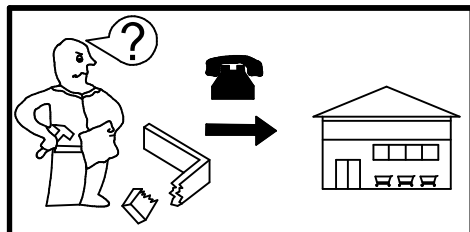
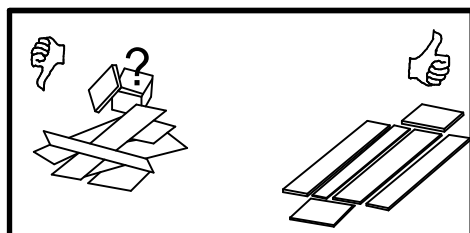
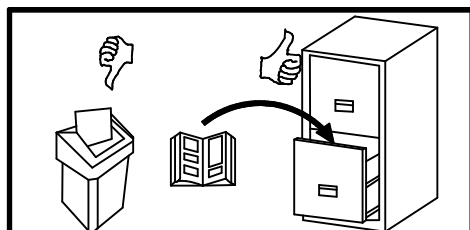
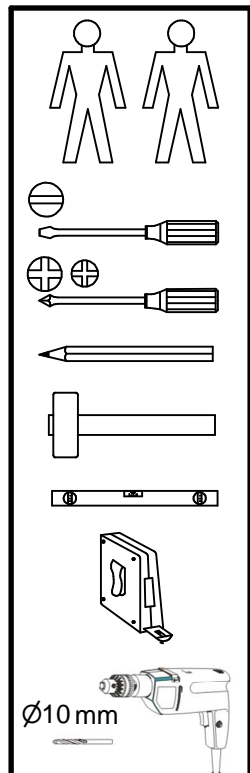
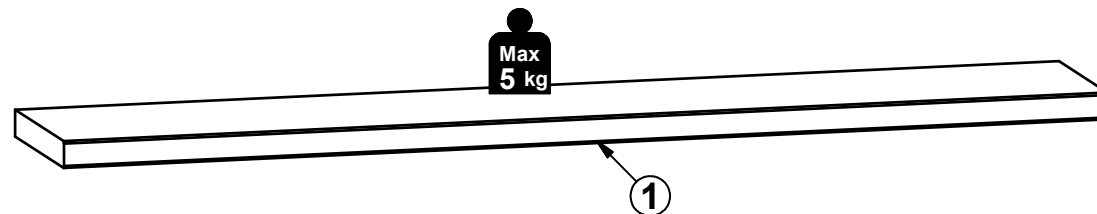
S128-POL/100

A	B	C1	C2	C3	D
1	S508-3016	1046	250	36	1/1



S128-POL/140

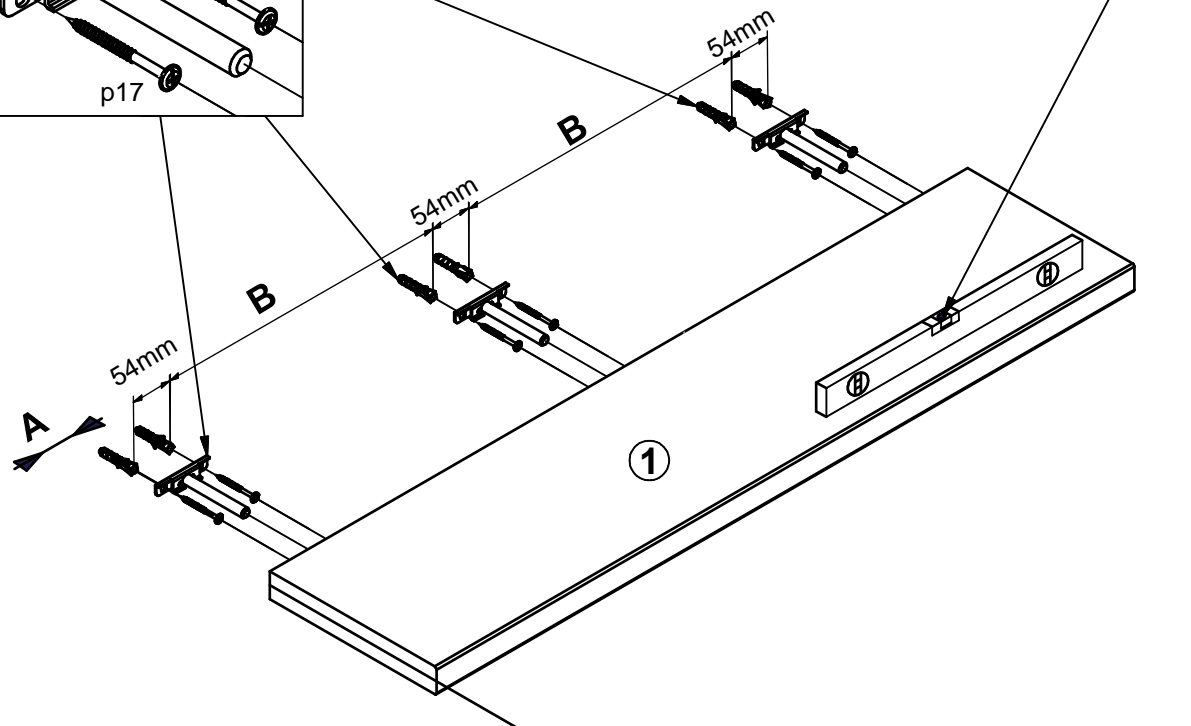
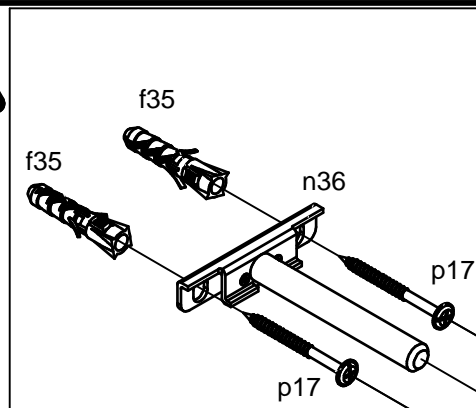
A	B	C1	C2	C3	D
1	S508-3017	1432	250	36	1/1



A

S128-POL/100 S128-POL/140

1 



S128-POL/100 A=51mm B=394mm
S128-POL/140 A=114mm B=522mm

