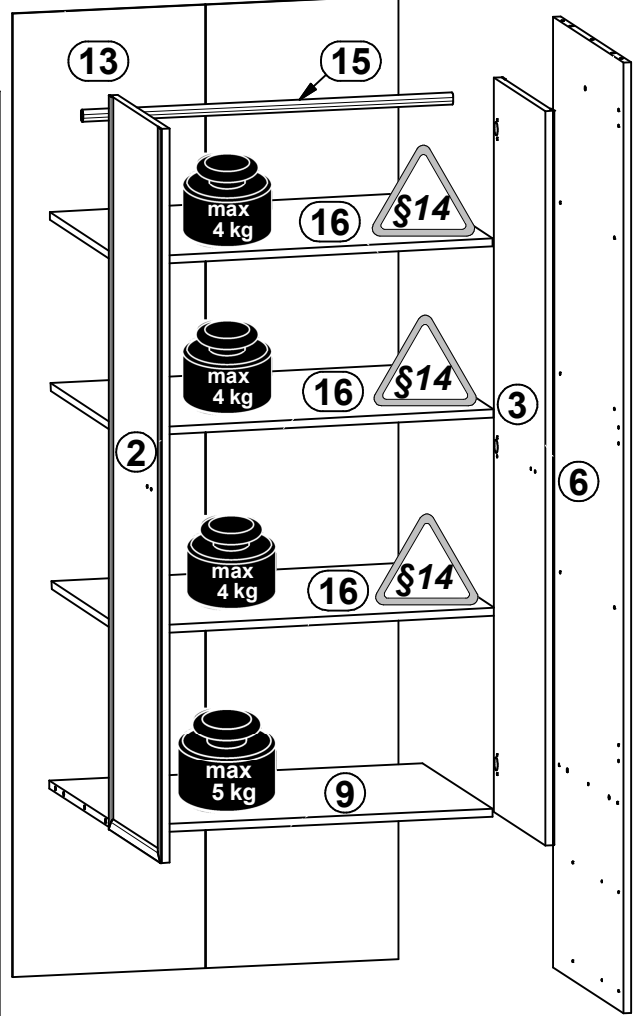
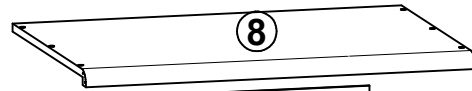
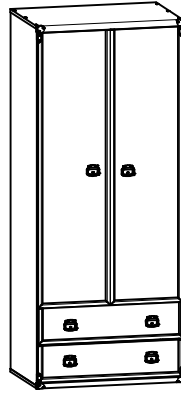


# A

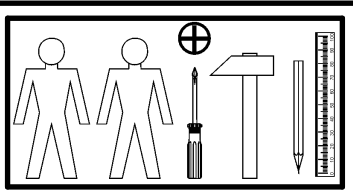
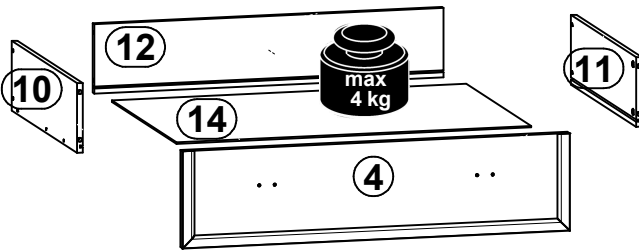
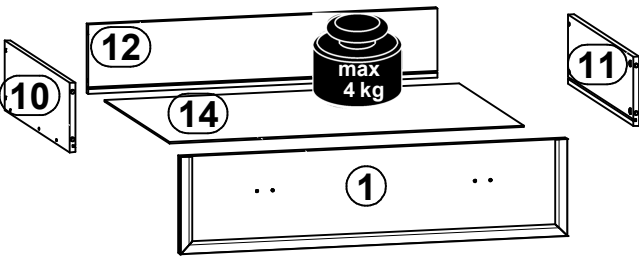
# INDIANA

# S31-JSZF2D2S

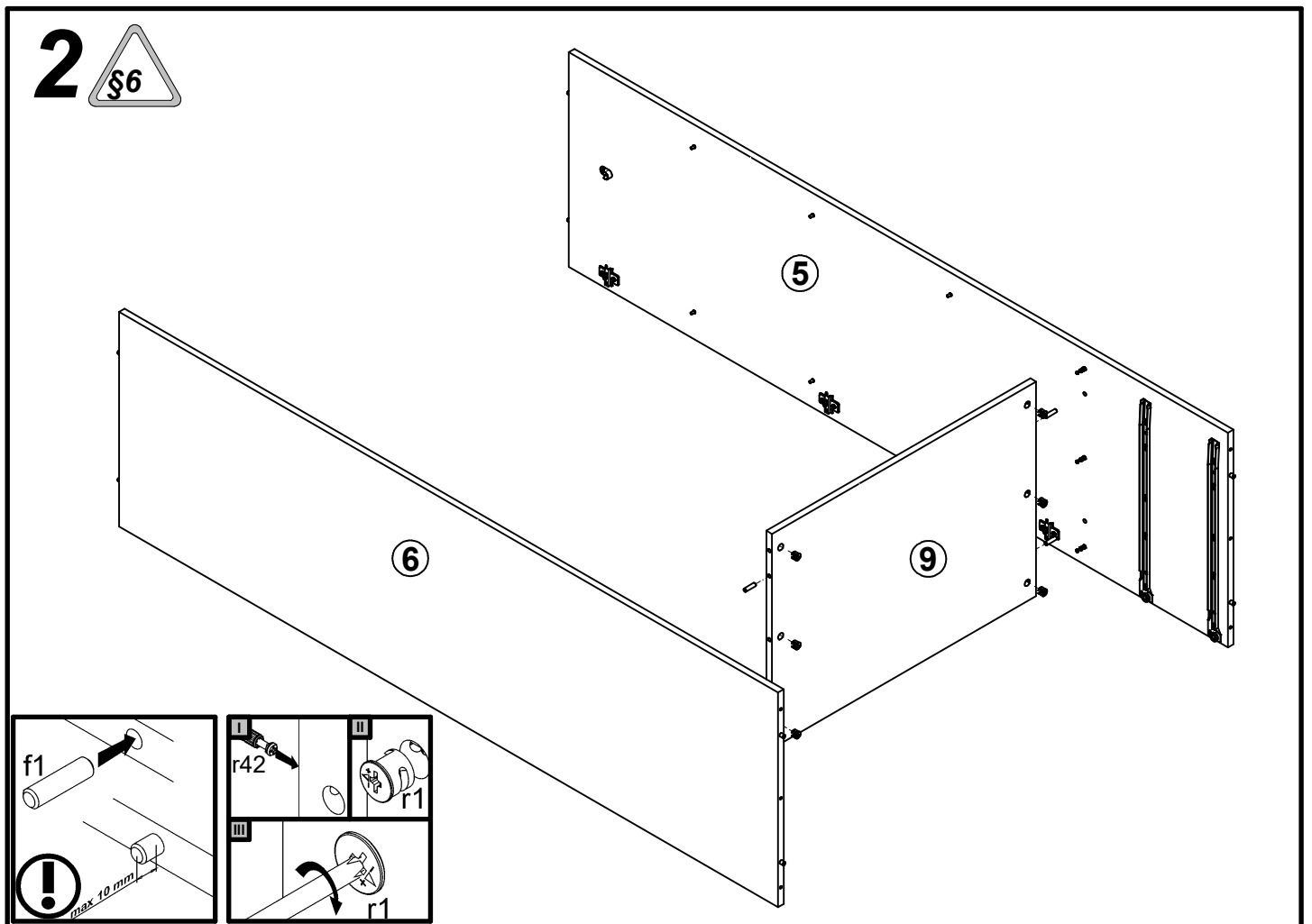
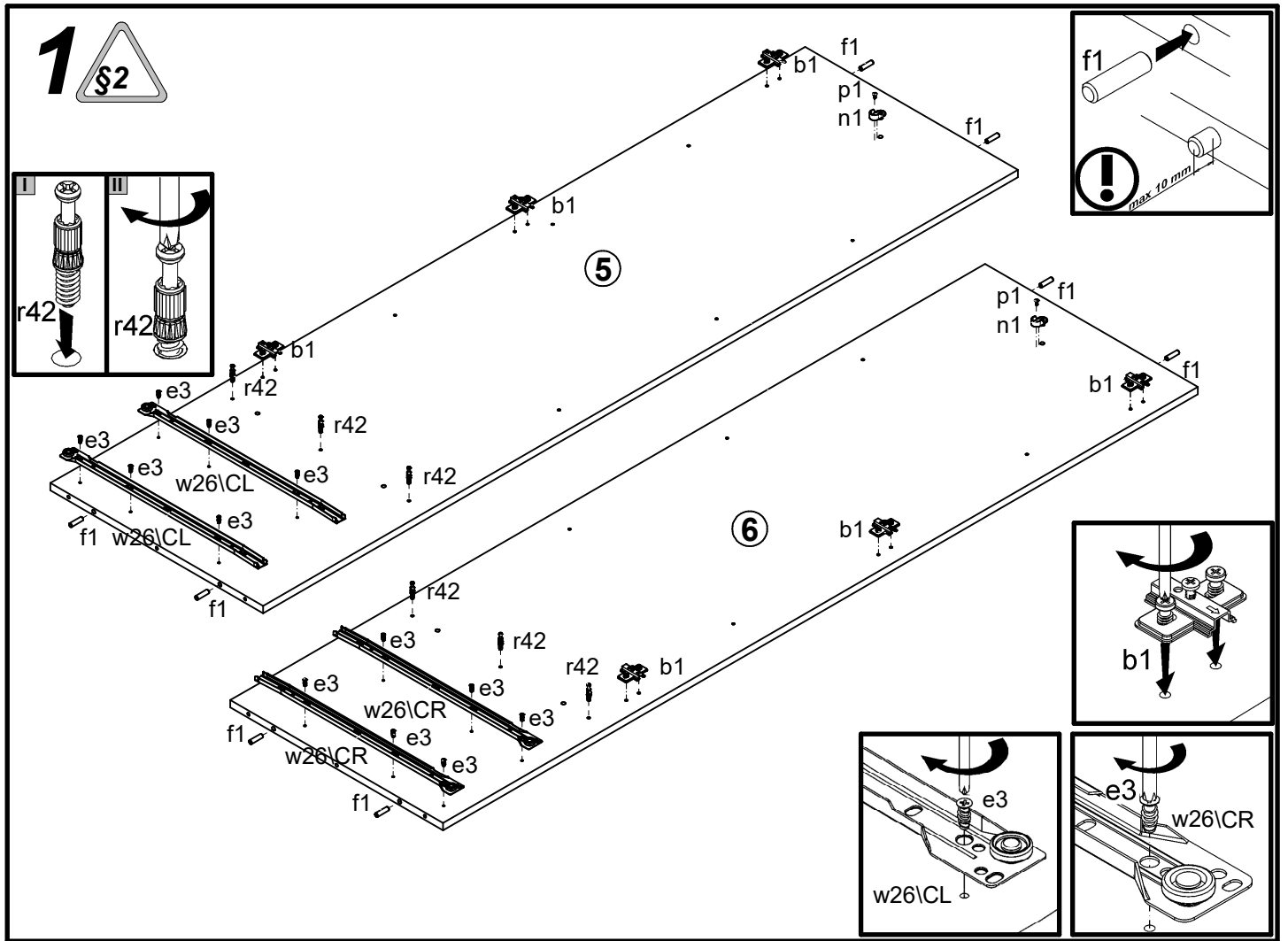
A	B	C	D	
1	S31-002	796	196	4/4
2	S31-004	1480	396	4/4
3	S31-005	1480	396	4/4
4	S31-006	796	196	4/4
5	S31-101	1916	540	1/4
6	S31-102	1916	540	1/4
7	S31-201	800	565	2/4
8	S31-202	800	565	2/4
9	S31-301	767	540	1/4
10	S31-501	500	140	1/4
11	S31-502	500	140	1/4
12	S31-503	718	140	1/4
13	S31-901	1942	793	1/4
14	S31-904	729	498	1/4
15	dr-761	761	22	1/1



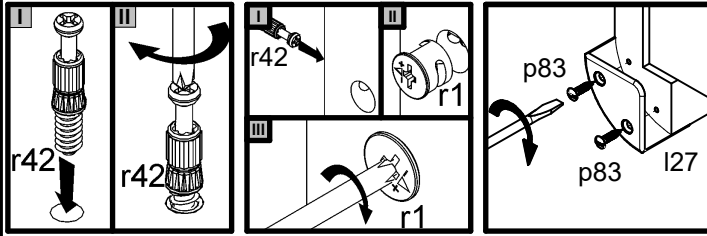
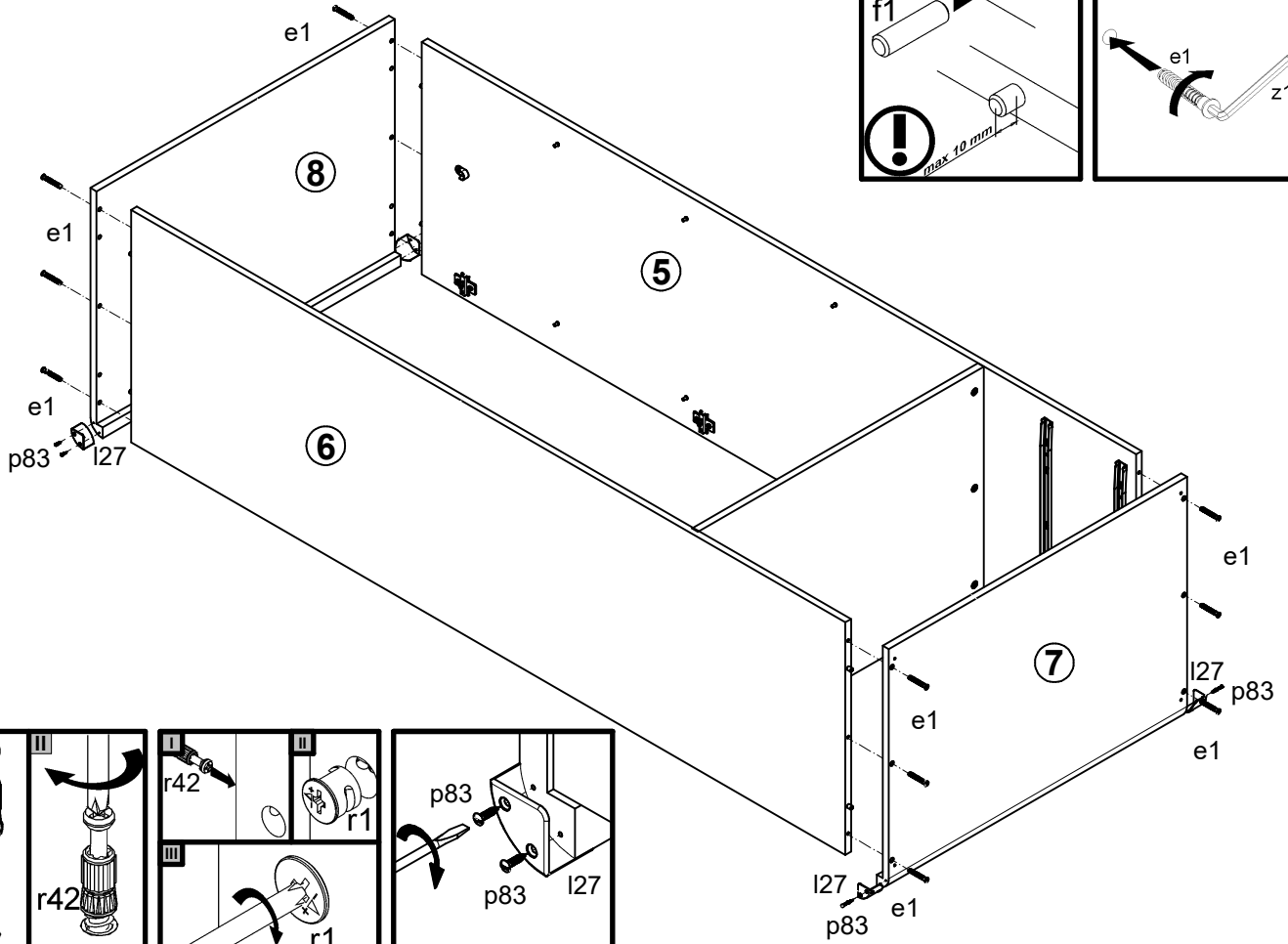
16	S31-302	767	535	1/1
----	---------	-----	-----	-----



6x a2	6x b1	6x c158	12x e1 φ7x50 mm	12x e3 Ø6x13 mm	12x e19 Ø5x9 mm	12x f1 φ8x30 mm	8x f25 Ø6,5x40 mm		
12x j30 M4x22 mm	4x k22 Ø15	65x l1	4x l27	2x l28/L	2x l28/P	2x n1 h=22mm	2x p1 Ø3,5x13 mm		
4x p25 Ø3,5x16 mm	16x p83 Ø3x12 mm	6x r1 Ø15x12 mm #16	8x r15 Ø12x10,5 mm #12	14x r42	2x t17 483 mm	2x w26\CL 500 mm	2x w26\CR 500 mm		12x d1 Ø5x17 mm
2x w26\DL 500 mm	2x w26\DR 500 mm	1x z1			1x n26\l	1x p38 φ3,5x16 mm			



# 3



# 4

