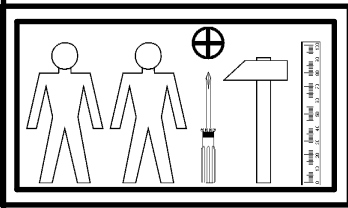
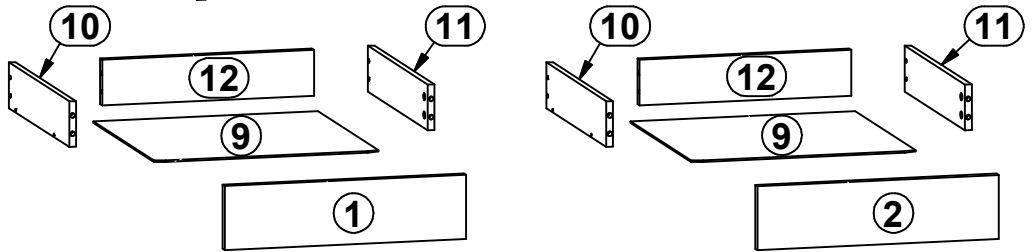
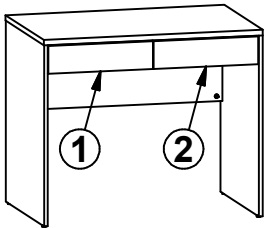
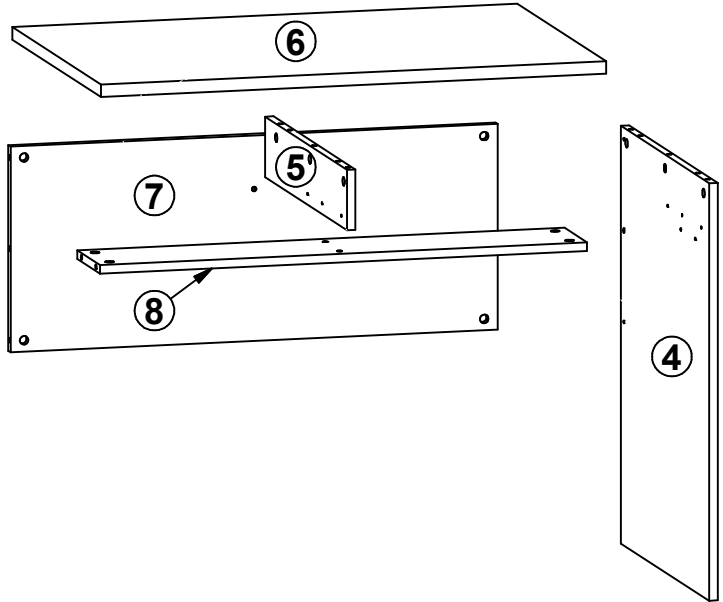
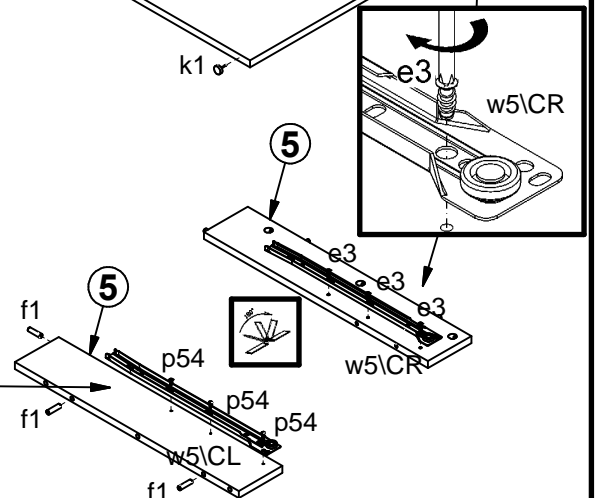
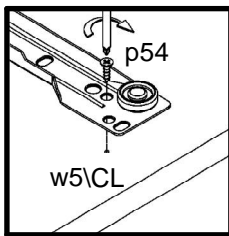
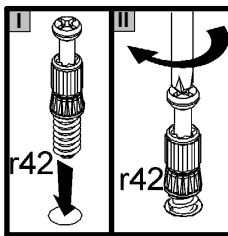
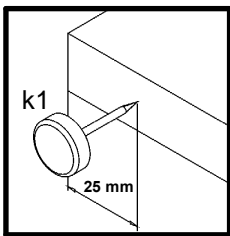
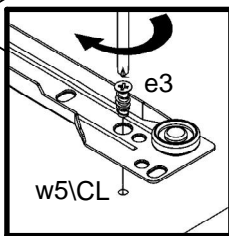
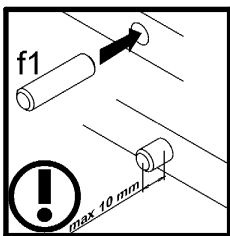
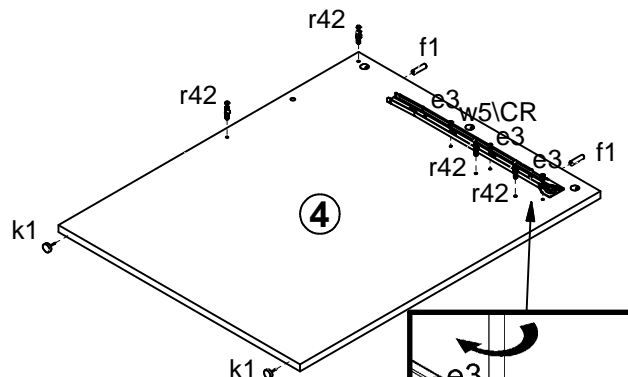
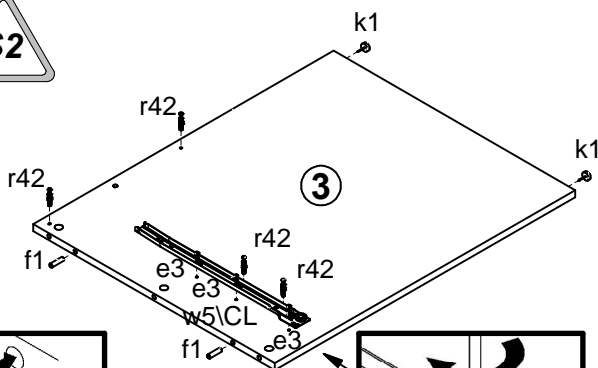


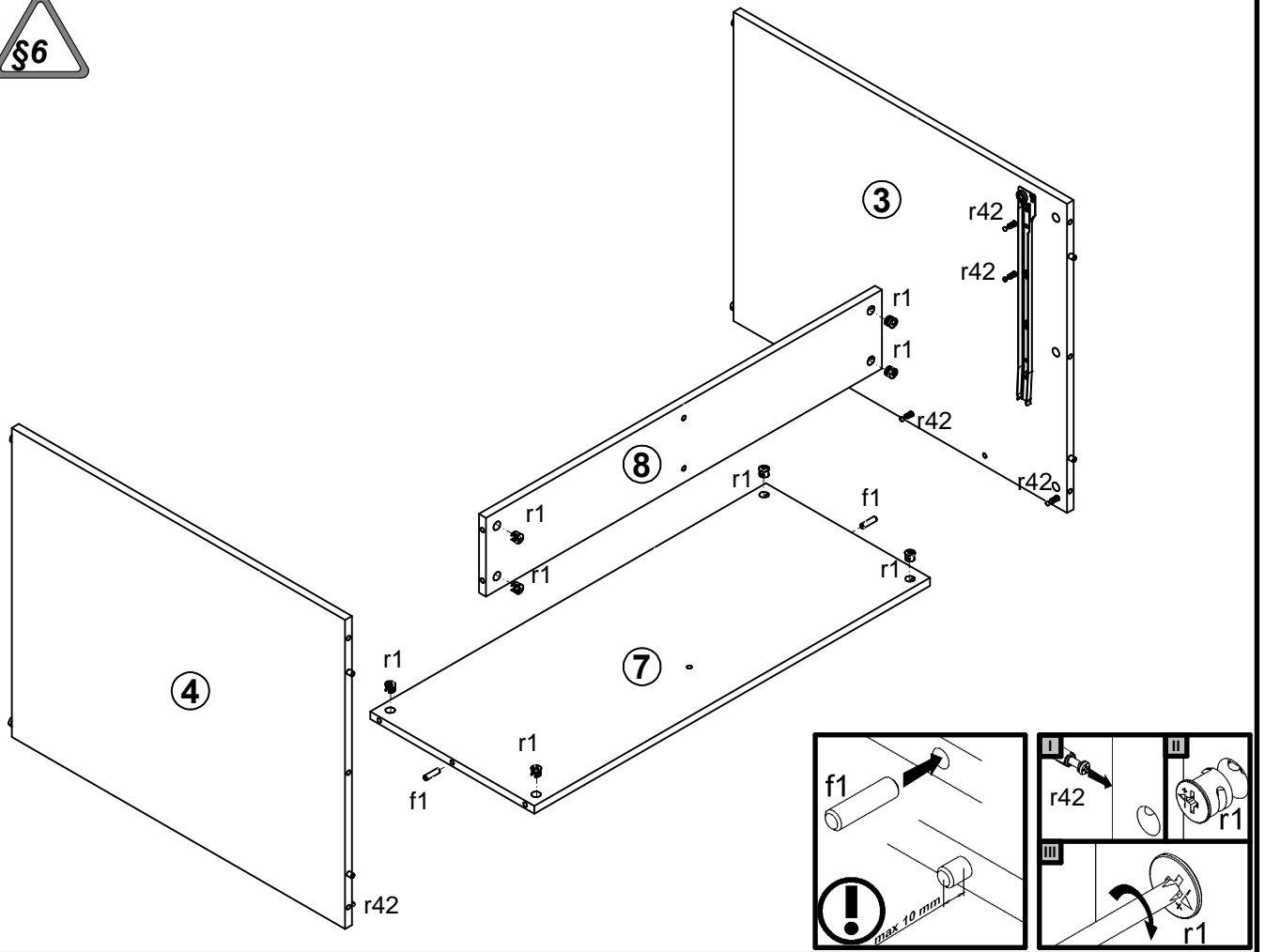
A	B	C	D	
1	S343-0077	430	112	2/2
2	S343-0078	430	112	2/2
3	S343-1081	731	588	1/2
4	S343-1082	731	588	1/2
5	S343-1083	106	545	1/2
6	S343-2055	900	590	1/2
7	S343-4045	868	360	1/2
8	S343-4046	868	150	1/2
9	S343-9017	400	407	1/2
10	ZS3-537	400	80	1/2
11	ZS3-538	400	80	1/2
12	ZS3-5562	377	80	1/2



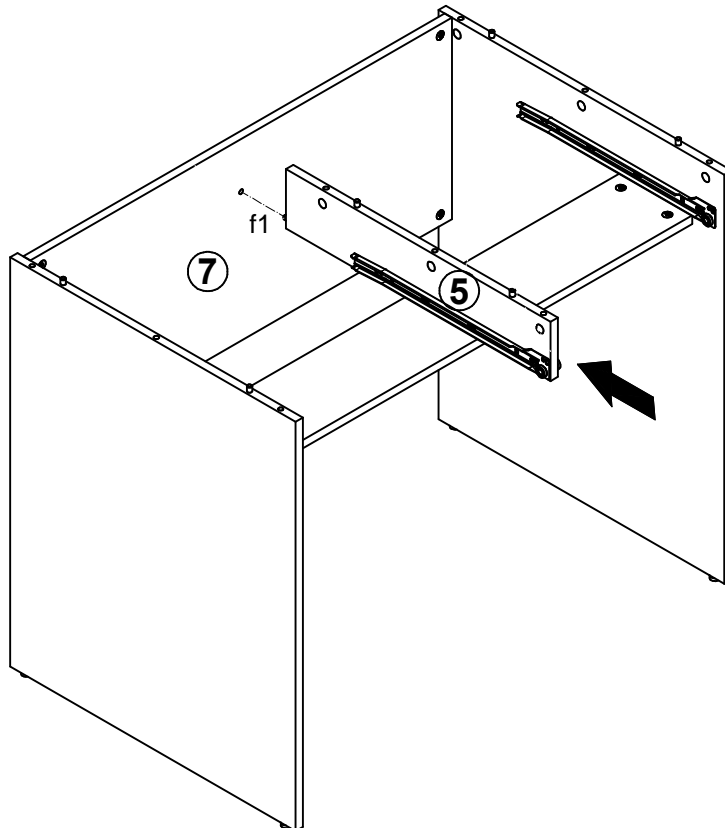
2x φ7x50 mm e1	9x φ6x13 mm e3	8x Ø5x9 mm e19	9x φ8x30 mm f1	8x Ø6,5x40 mm f25	4x k1	6x Ø3,5x16 mm p38	3x Ø3x12 mm p54	17x φ1,5x12mm #16 r1
8x Ø12x10,5 mm #12 r15	25x 20/11 r42	2x 400 mm w5\CL	2x 400 mm w5\CR	2x 400 mm w5\DL	2x 400 mm w5\DR	5x φ16 s2	1x z1	2x silikon o21



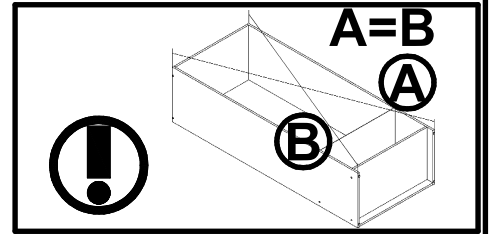
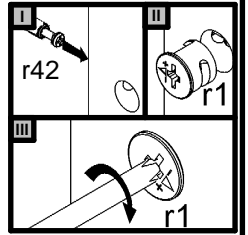
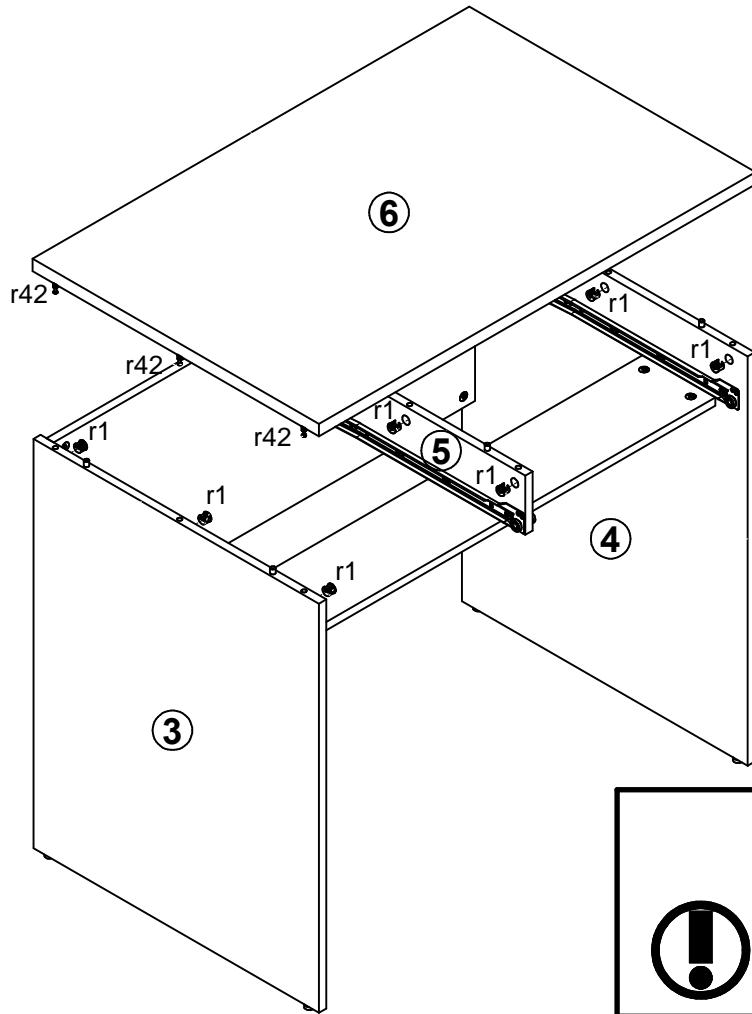
2 



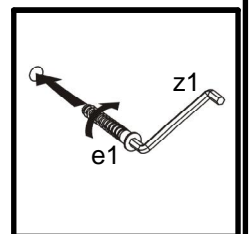
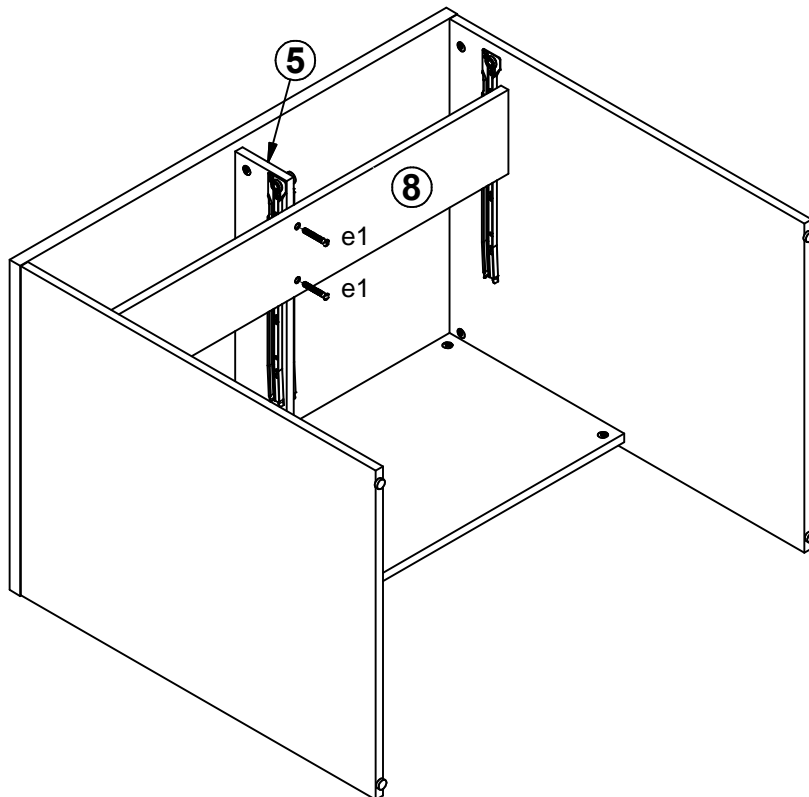
3



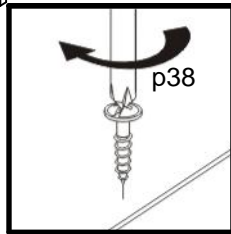
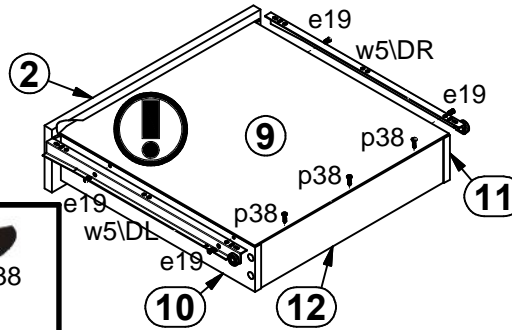
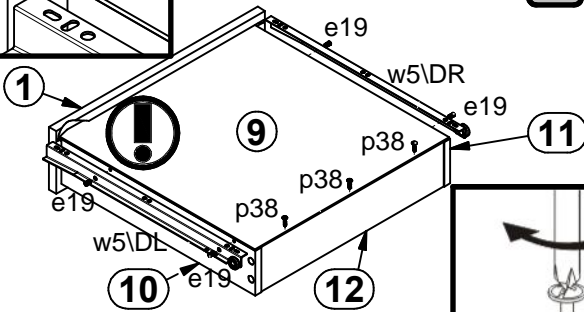
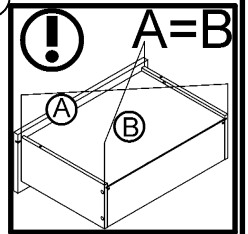
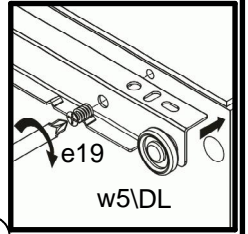
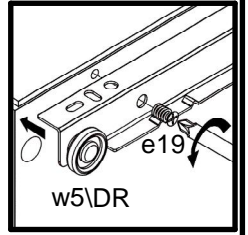
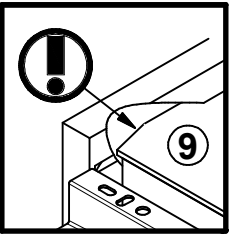
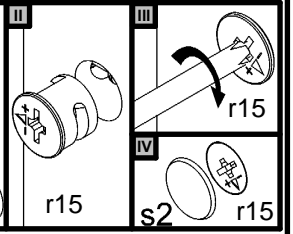
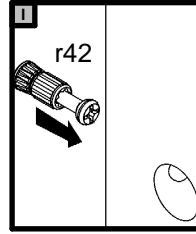
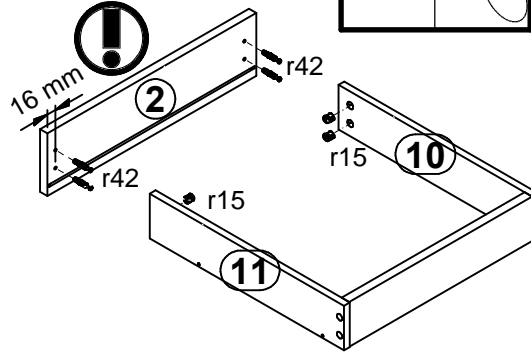
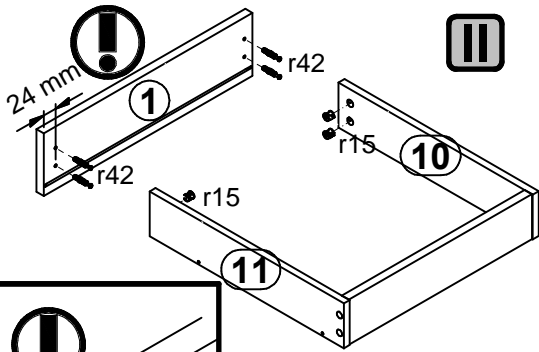
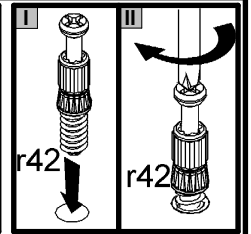
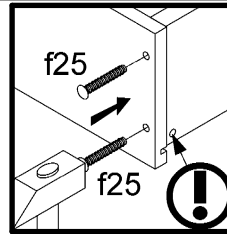
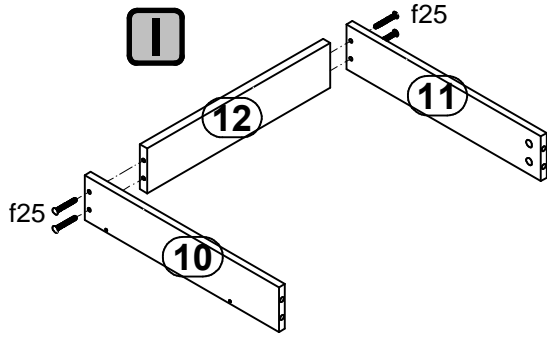
4



5



6



7

