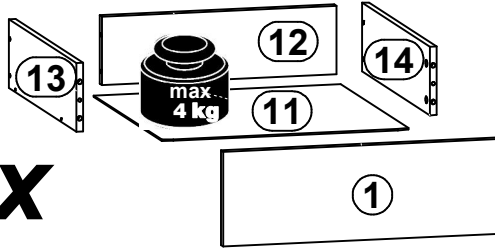
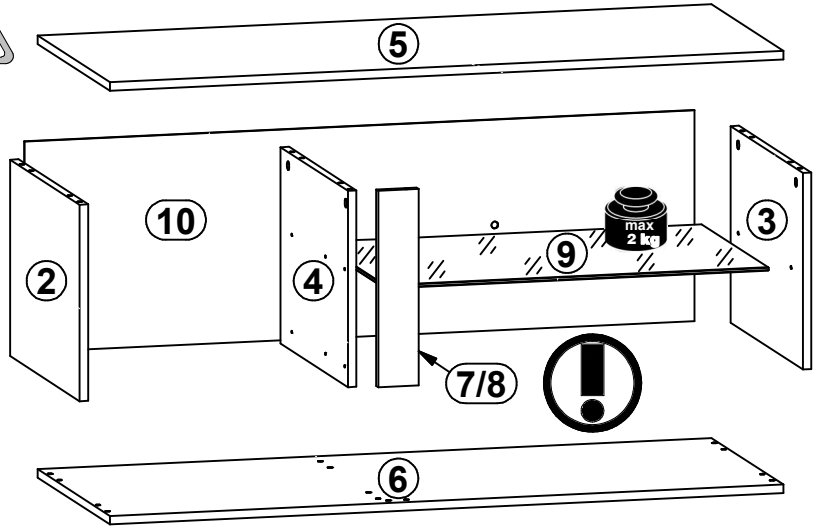


**A**

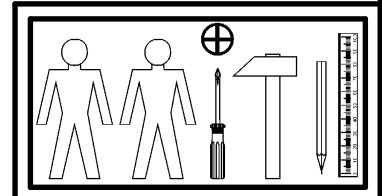
# GRAPHIC

**S343-RTV2S/120/C**

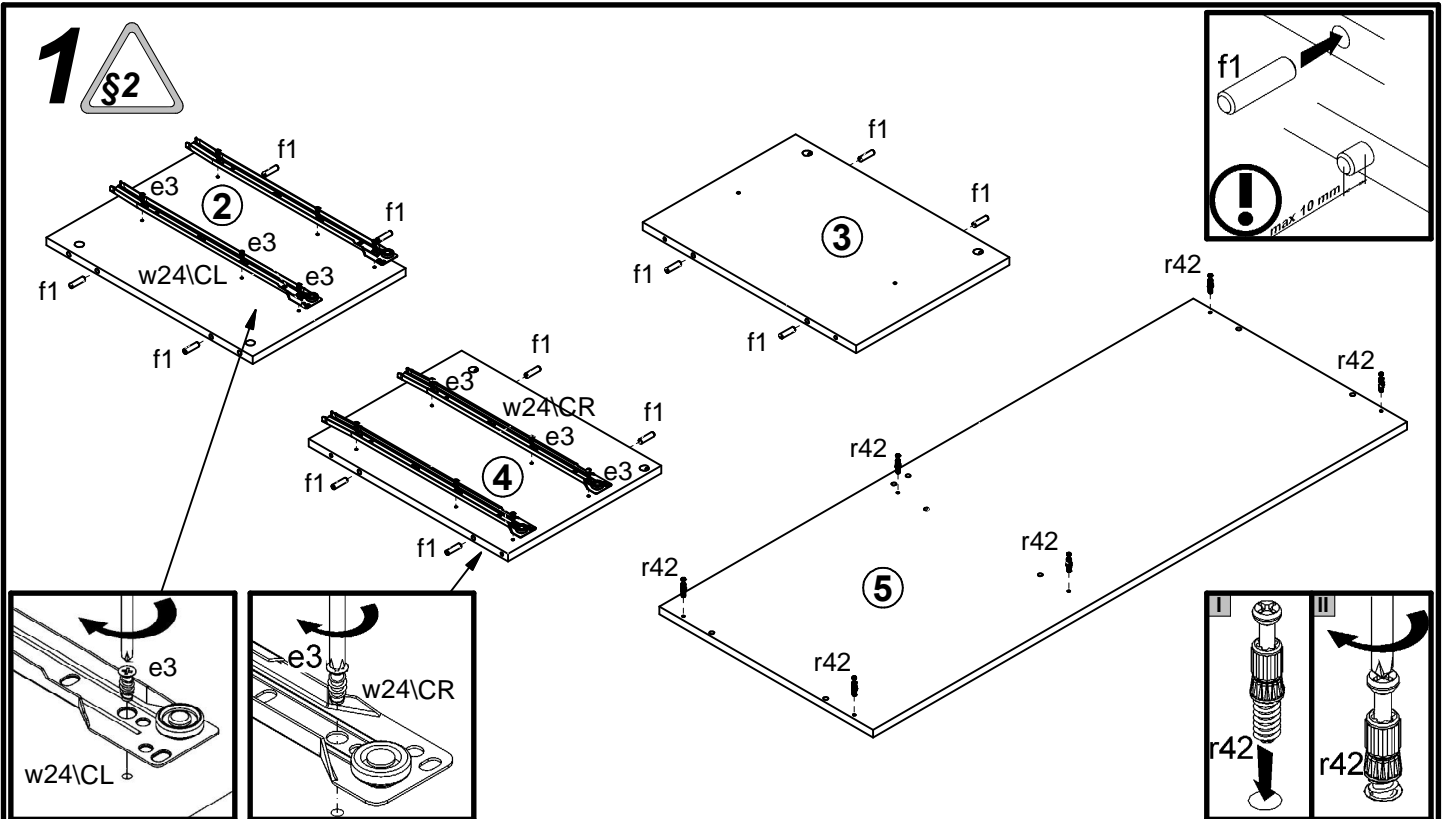
A	B	C	D	
1	S343-0065	498	166	2/2
2	S343-1003	344	463	1/2
3	S343-1004	344	480	1/2
4	S343-1005	344	448	1/2
5	S343-2003	1200	480	1/2
6	S343-2004	1200	480	1/2
7	S343-4005	344	72	1/2
8	S343-4018	344	72	1/2
9	S343-5001	685	444	1/2
10	S343-9001	1194	369	1/2
11	S343-9002	440	456	1/2
12	ZS3-5561	418	120	1/2
13	ZS4-549	450	120	1/2
14	ZS4-550	450	120	1/2



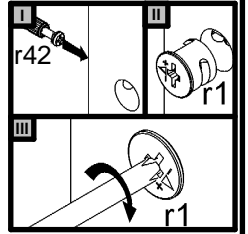
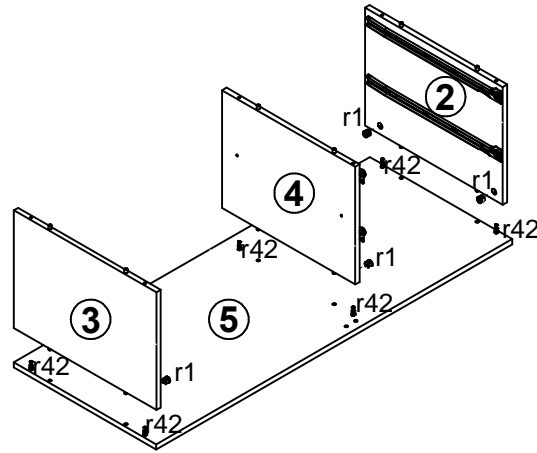
**2x**



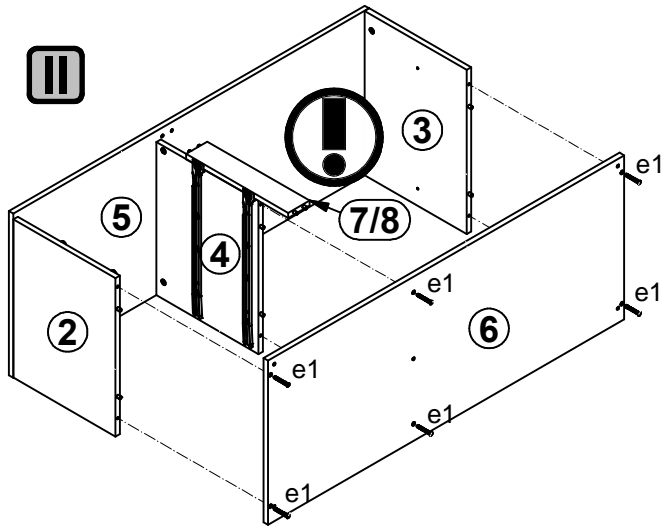
4x Ø5x17 mm d3	6x Ø7x50 mm e1	8x Ø5x9 mm e19	12x Ø6x13 mm e3	16x Ø8x30 mm f1	8x Ø6.5x40 mm f25	4x Ø6x30 mm f9	5x k73	35x l1
1x o43 8	6x Ø3.5x16 mm p38	5x Ø3.5x20 mm p79	6x Ø15x12 mm #16 r1	8x Ø12x10.5 mm #12 r15	14x 20/11 r42	2x 450 mm w24 CL	2x 450 mm w24 CR	2x 450 mm w24 DL
2x 450 mm w24 DR	4x Ø16 s2	1x z1	1x o43 6	4x silikon o21				



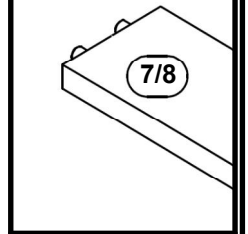
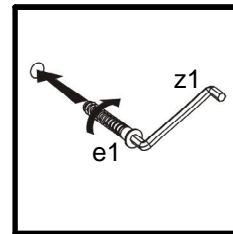
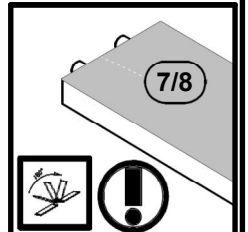
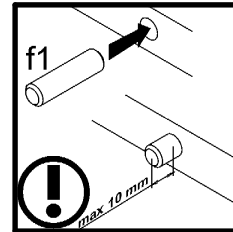
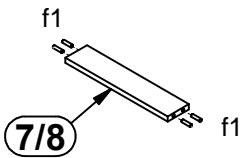
# 2



# 3

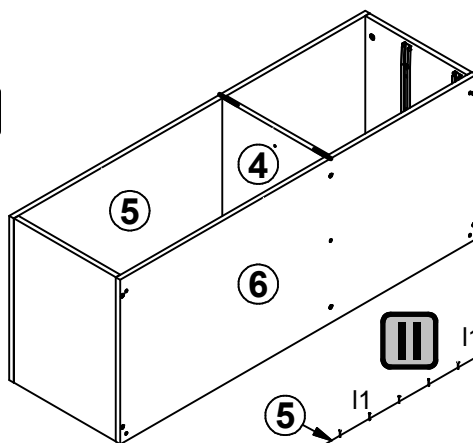


I



# 4

I



A=B

