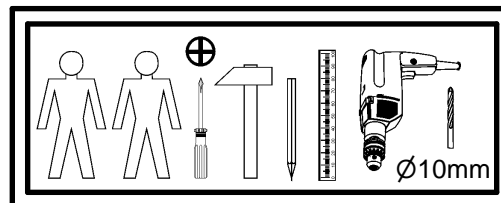
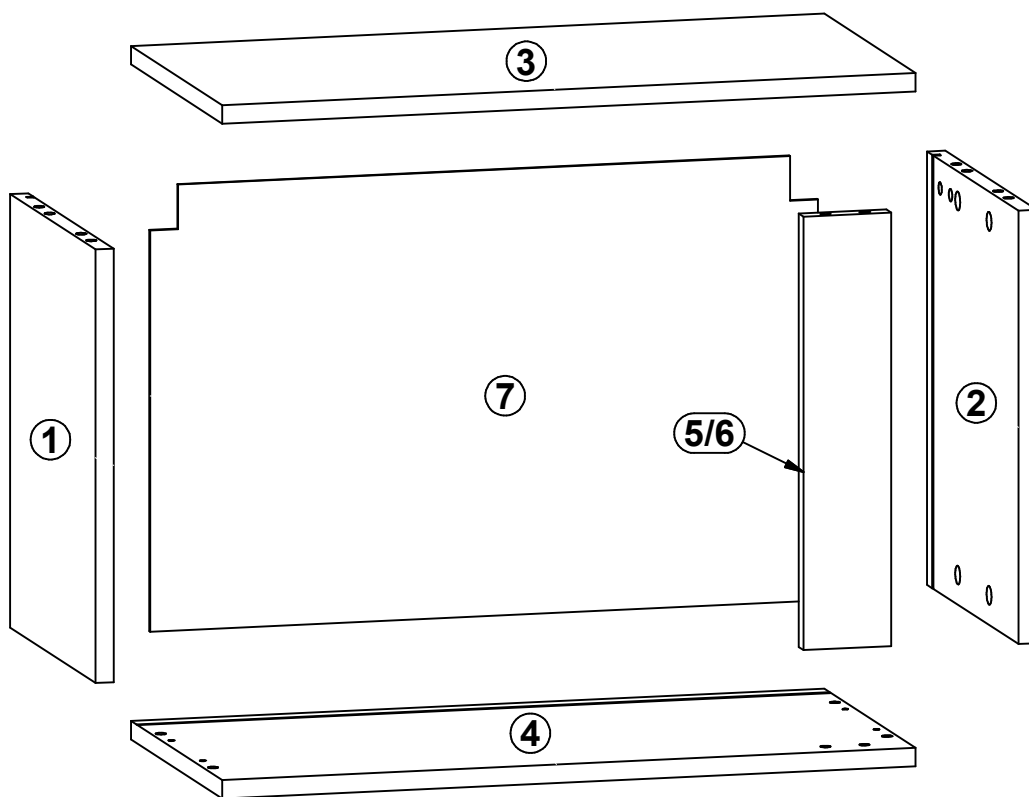
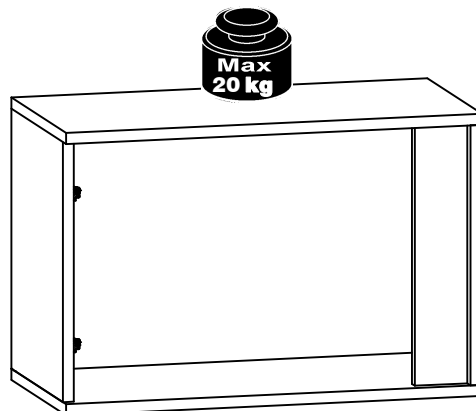
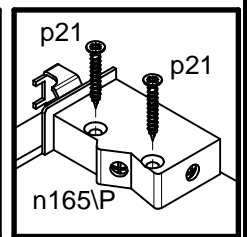
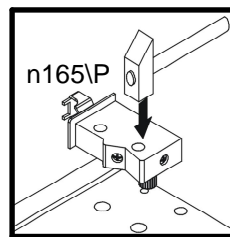
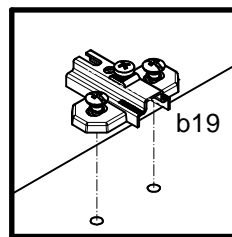
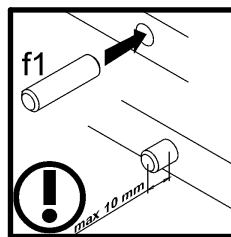
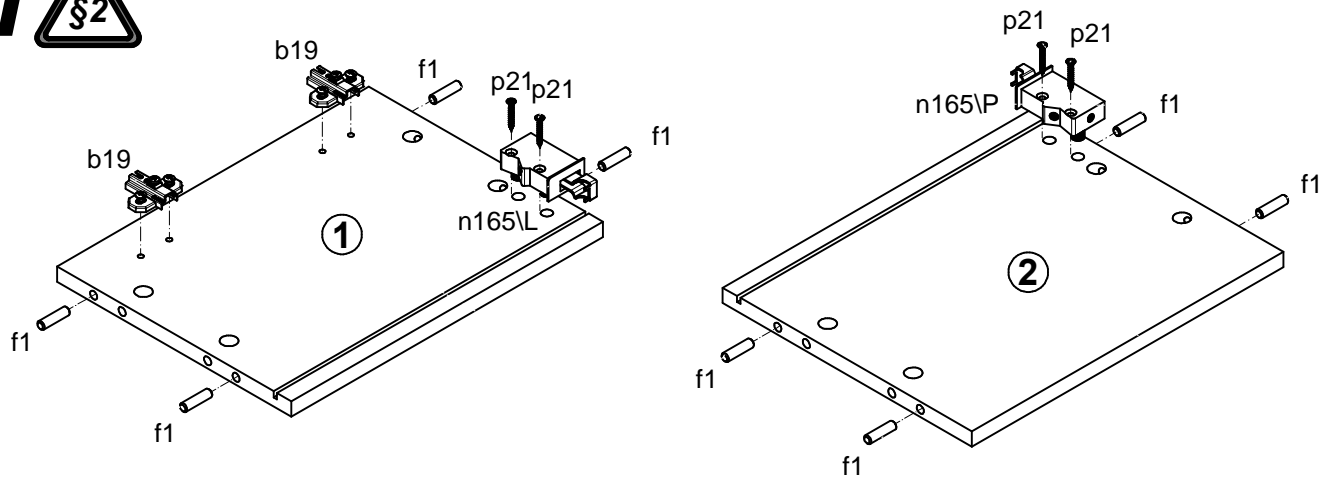


A	B	C	D	
1	S343-1048	350	263	1/2
2	S343-1049	350	280	1/2
3	S343-2033	570	280	1/2
4	S343-2034	570	280	1/2
5	S343-4026	350	72	1/2
6	S343-4027	350	72	1/2
7	S343-9009	549	360	1/2

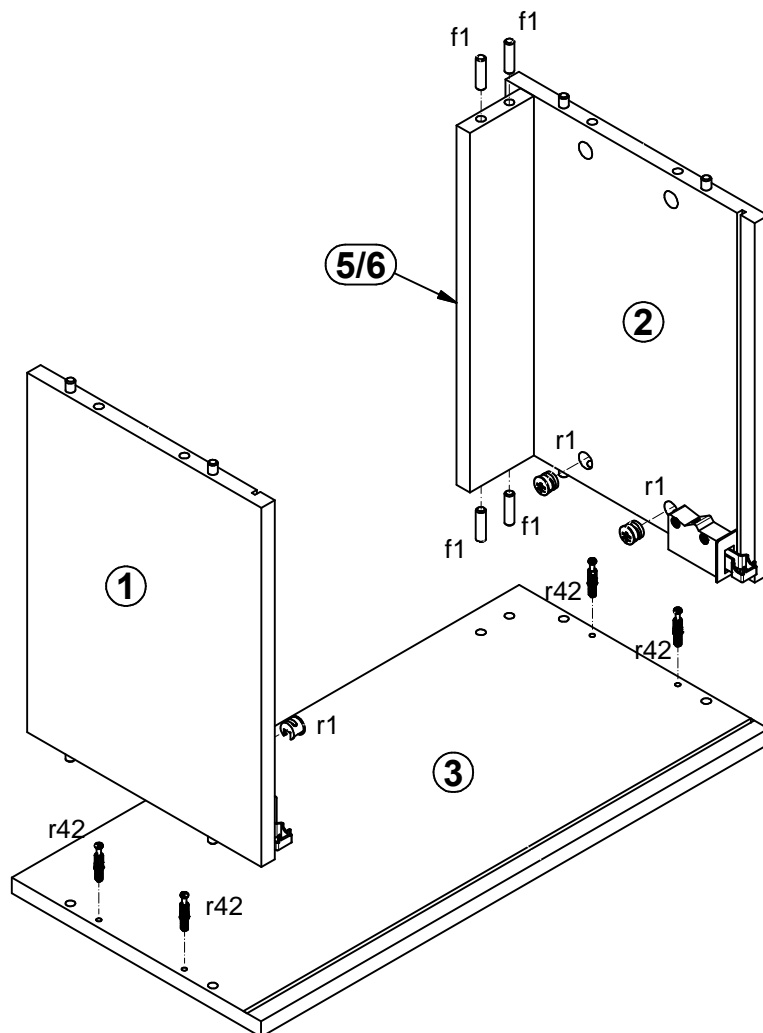


2x K3 a44	2x DS b19	12x f1 Ø8x30 mm	2x f35 Ø10x50 mm	8x I2	1x n165L	1x n165P	2x silikon o21	4x p21 Ø4x30 mm
4x Ø3.5x15 mm p51	2x p127 Ø6x60 mm	8x r1 Ø15x12 mm #16	8x r42 20/11	8x s2 Ø16				

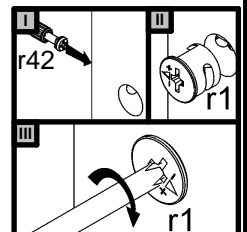
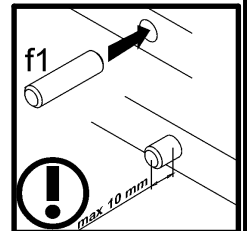
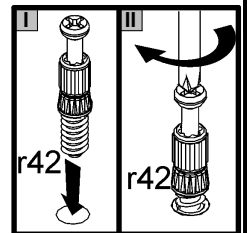
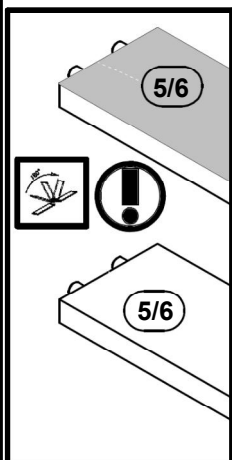
# 1



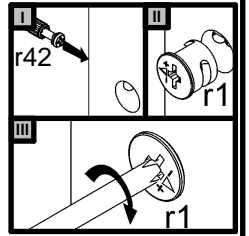
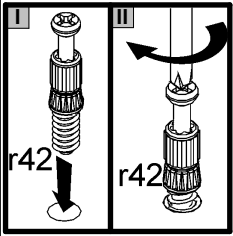
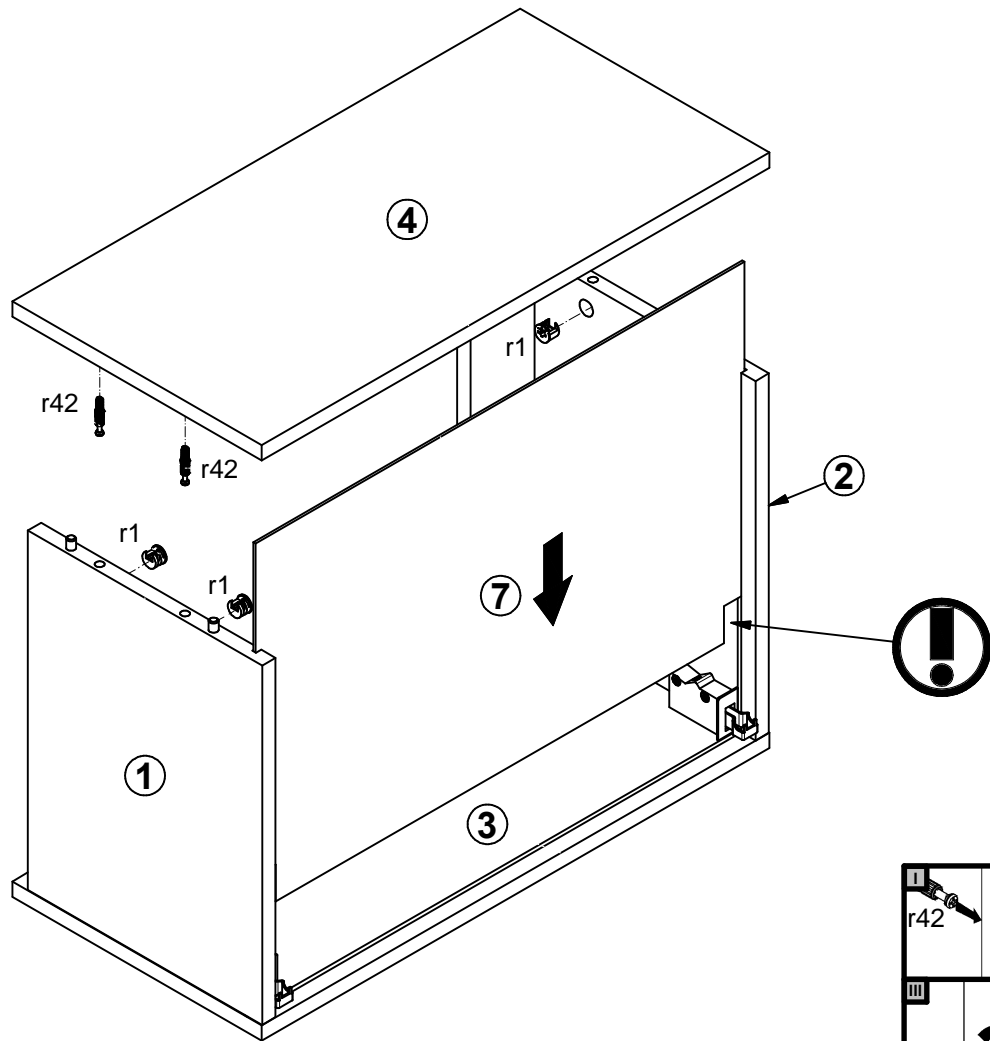
# 2



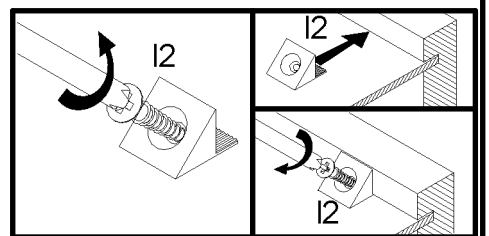
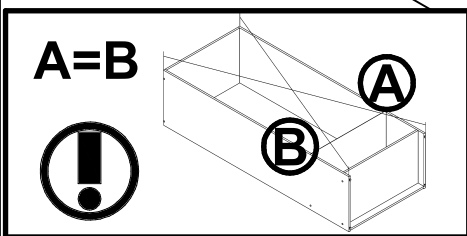
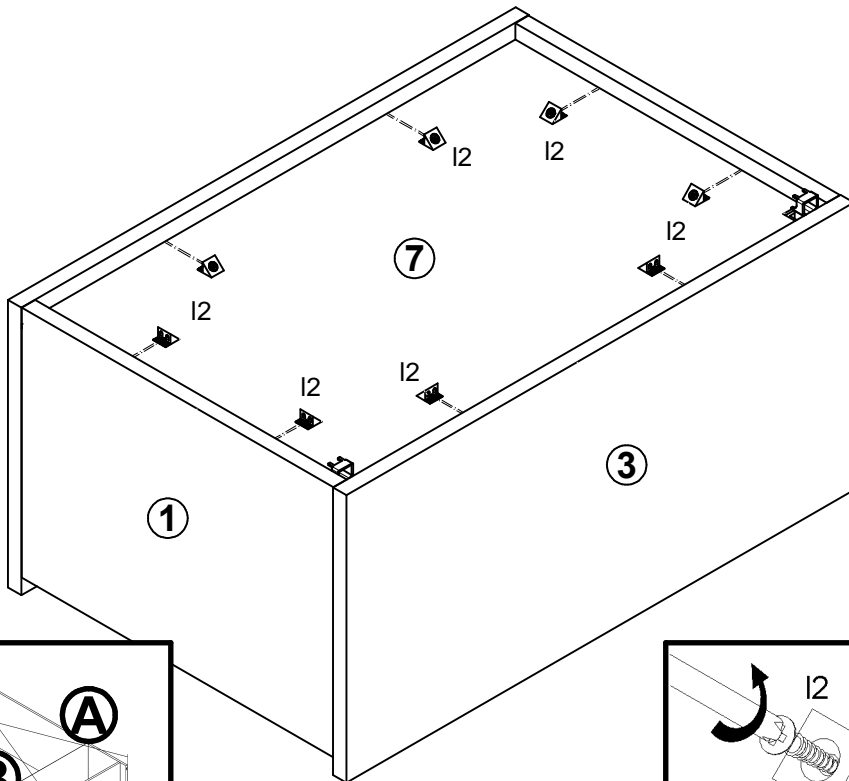
5/6



# 3



# 4



# 5

