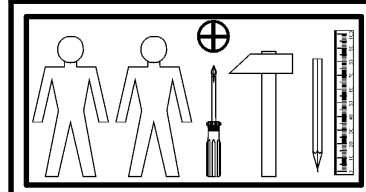
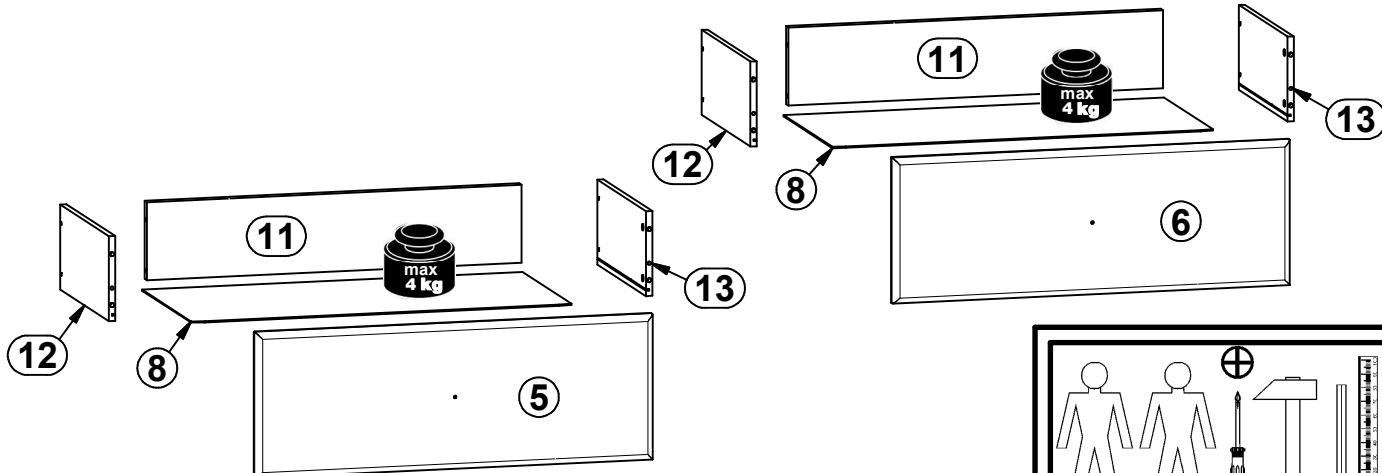
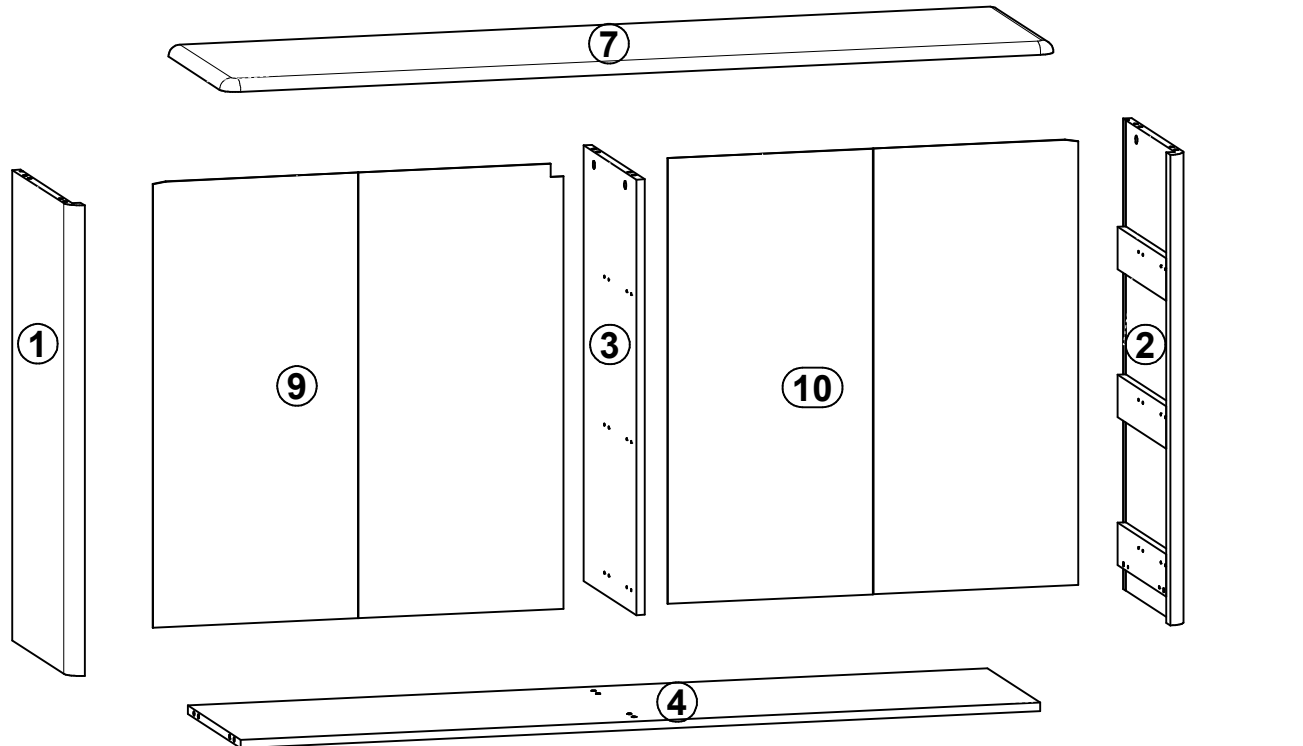
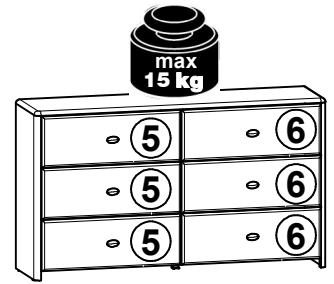
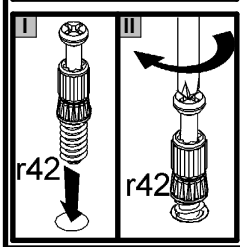
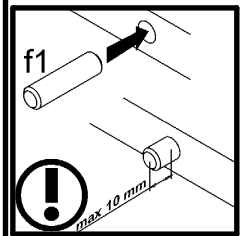
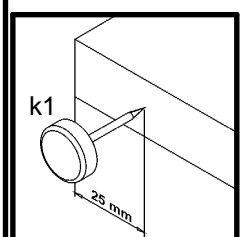
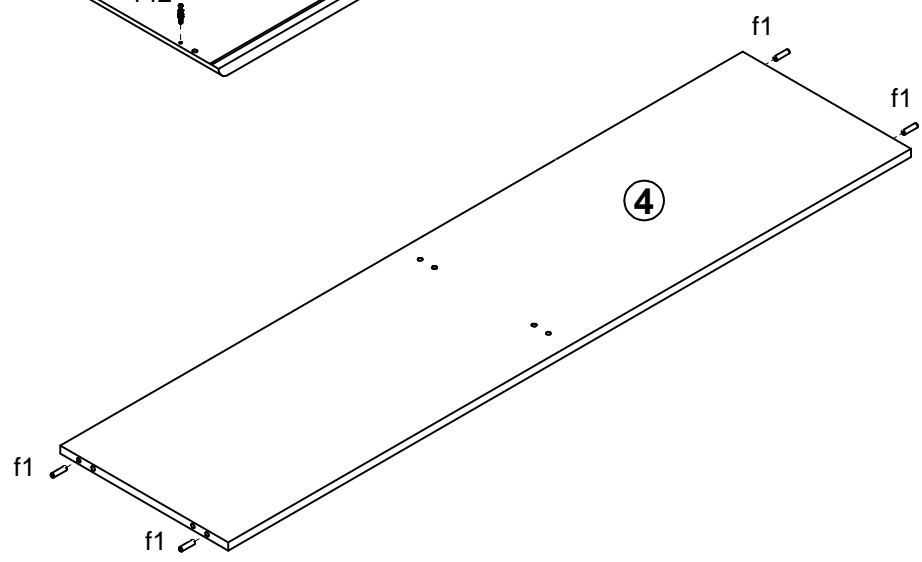
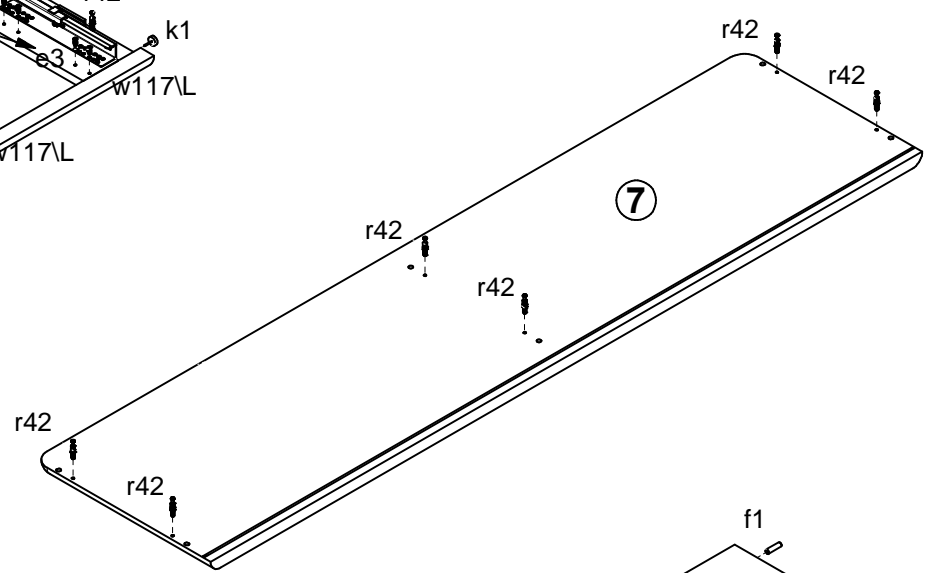
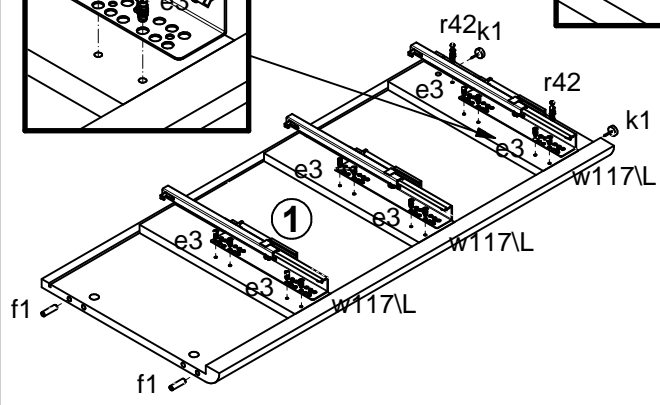
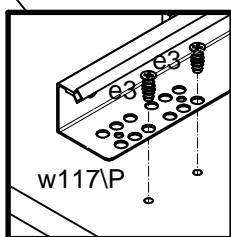
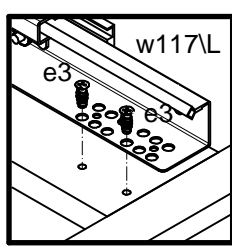
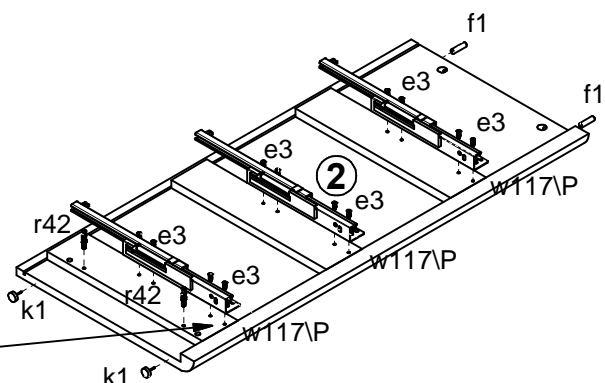
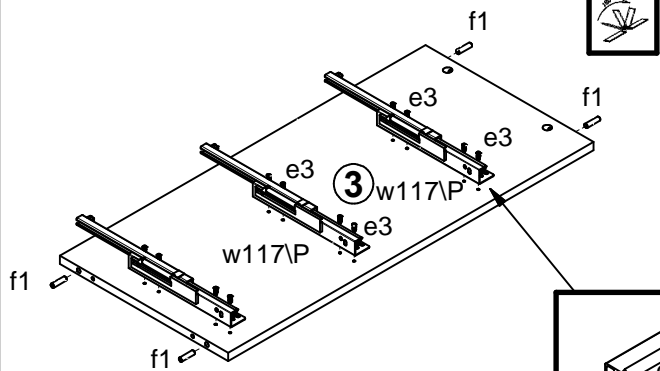
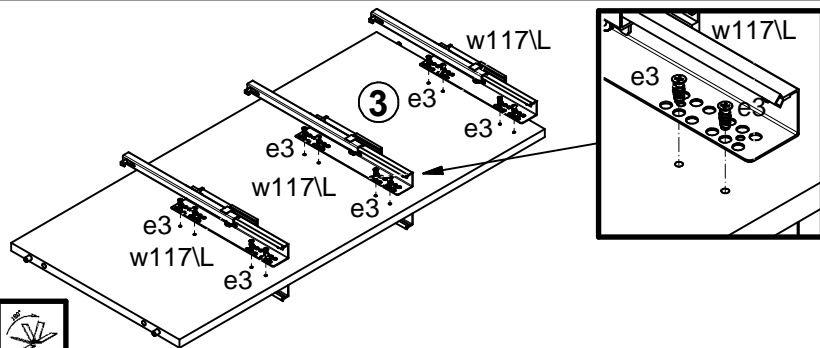


A	B	C	D	A	B	C	D		
5	S349-7018	763	275	3/3	8	S349-9001	730	355	1/3
6	S349-7019	763	275	3/3	9	S349-9301	840	788	1/3
1	S349-1001	887	399	1/3	10	S349-9302	840	788	1/3
2	S349-1002	887	399	1/3	11	ZQ2-571	719	147	1/3
3	S349-1003	821	378	1/3	12	ZQ3-503	350	160	2/3
7	S349-7024	1599	399,5	2/3	13	ZQ3-504	350	160	2/3
4	S349-3001	1534	378	2/3					

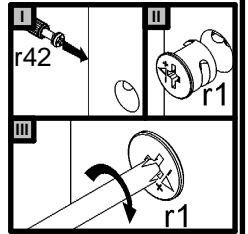
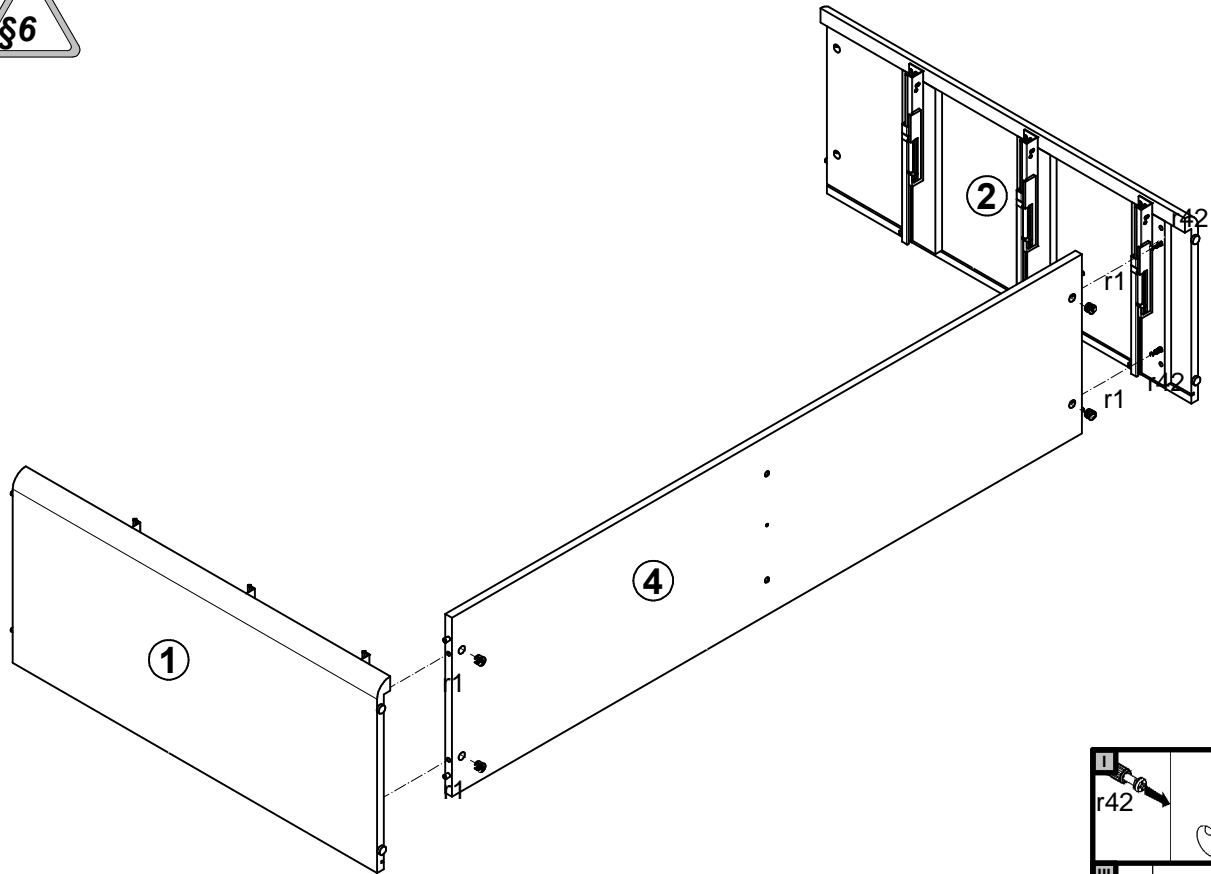


6x M4 c437	2x Ø7x50 mm e1	1x Ø6,3x13 mm e2	48x Ø6x13 mm e3	12x Ø8x30 mm f1	24x Ø6,5x40 mm f25	1x Ø10x50 mm f35	12x Ø6x30 mm f9	6x M4x28 mm j11
4x k1	1x 30x30/49 mm k38/11	1x 42,5x42,5/4 mm k38/13	15x l1	14x l2	8x 20x13x3,5/1 n108	1x 86x21x15/1,5 n14/2	1x Ø5x60 mm p17	10x Ø3,5x16 mm p25
6x Ø3,5x10 mm p35	38x Ø3,5x16 mm p38	8x Ø2,9x16 mm p55	10x Ø15x12 mm #16 r1	24x Ø12x10,5 mm #12 r15	34x 20/11 r42	6x 350 mm t35	6x 350 mm W117/L	6x 350 mm W117/P
3x Ø20 mm s68	1x 4 mm z1							

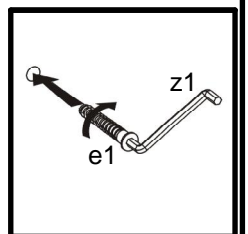
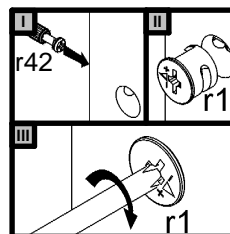
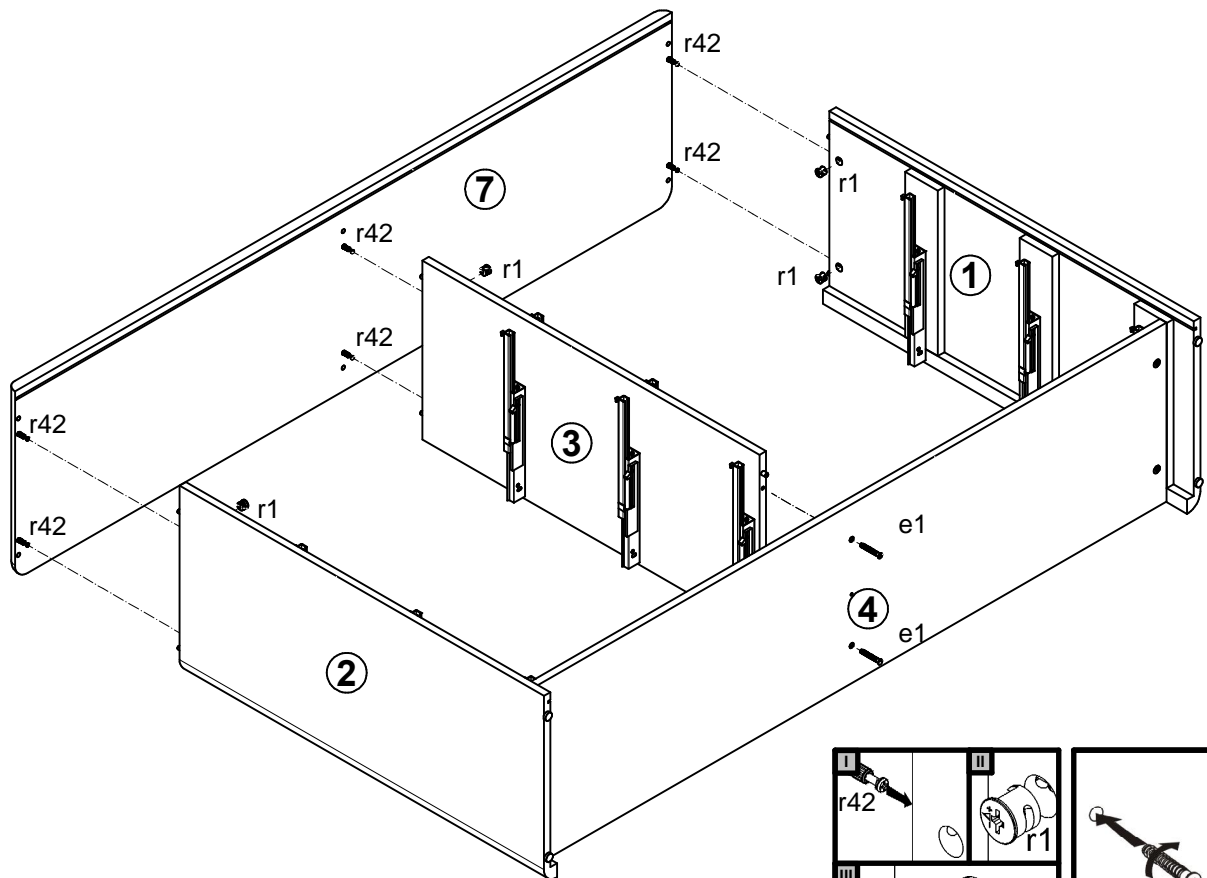
1 

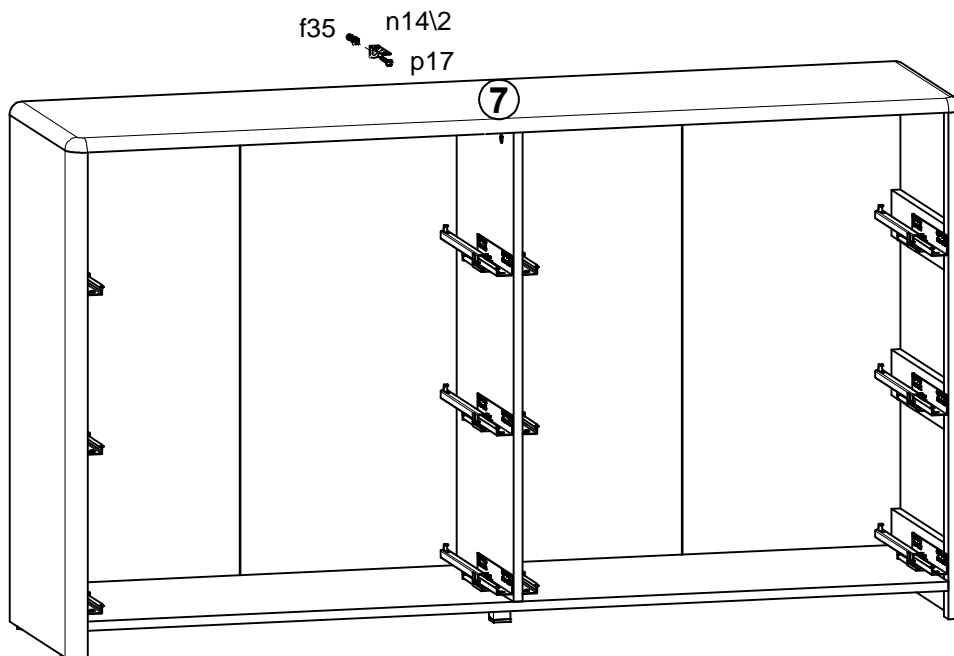
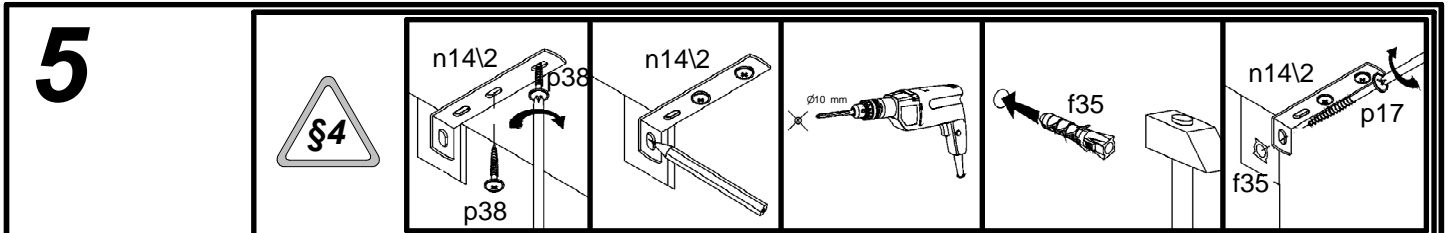
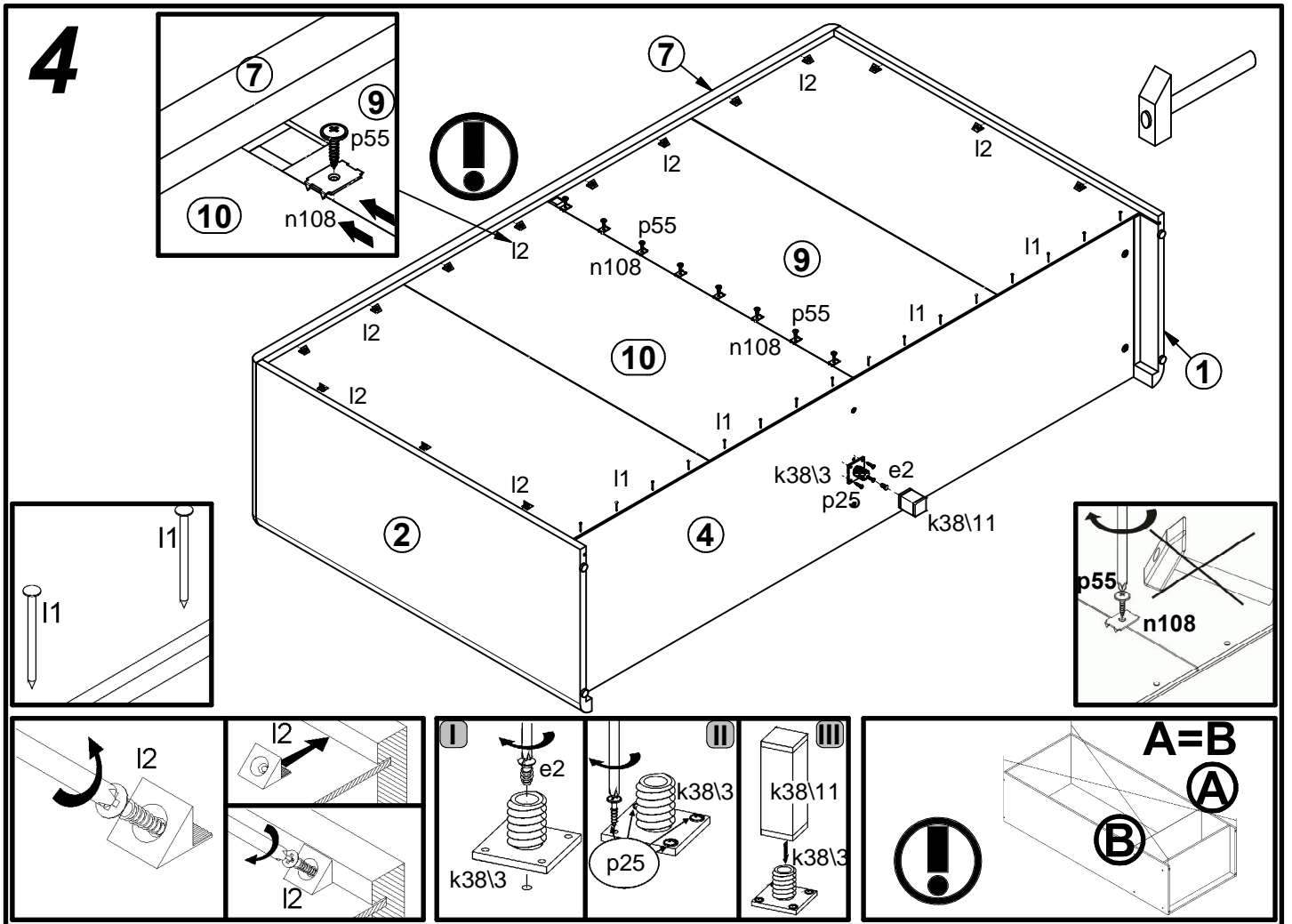


2



3





6

I **6x**

II

III

7