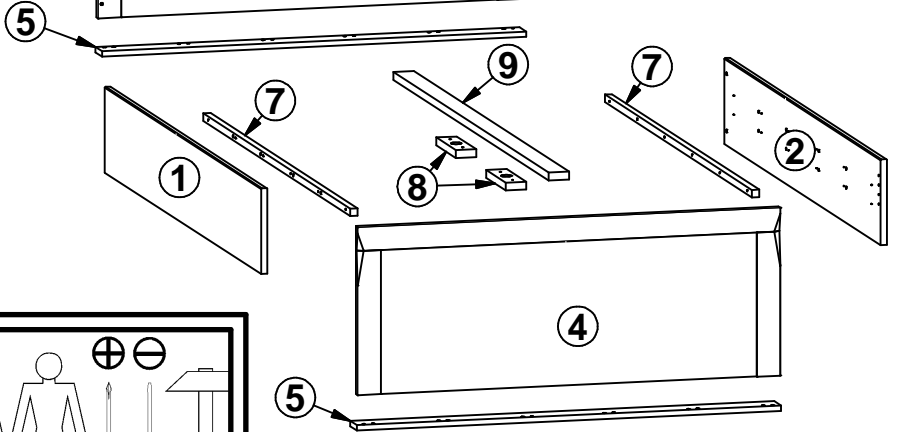
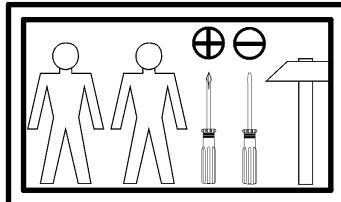
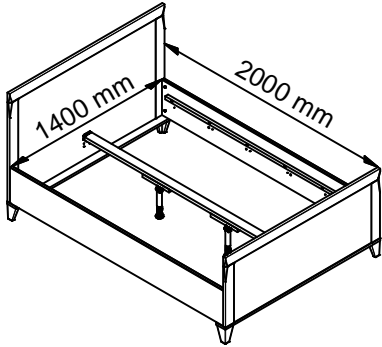
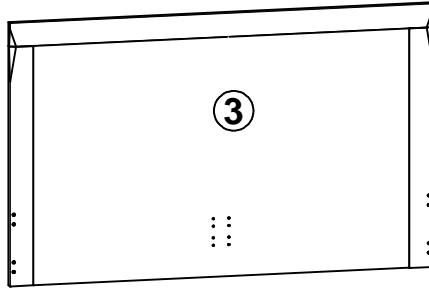


A

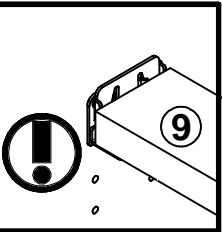
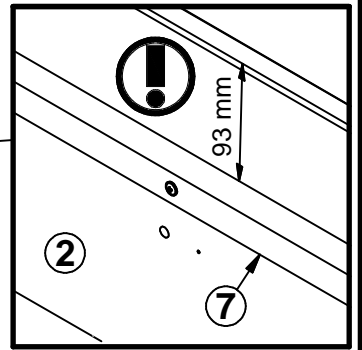
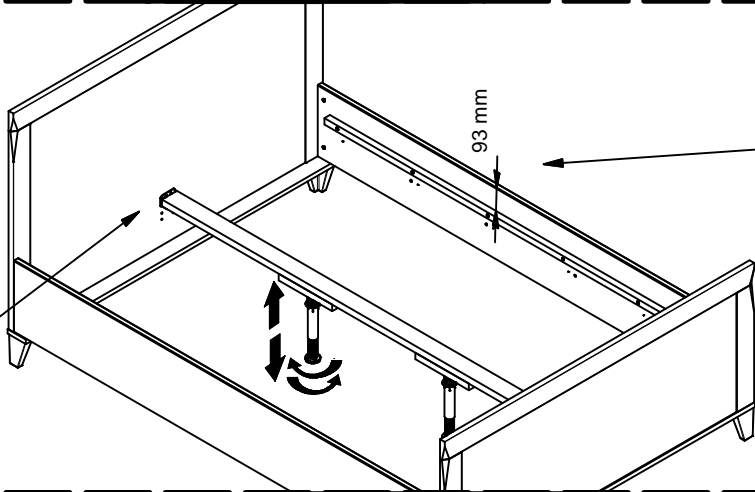
BERGEN

S359-LOZ/140

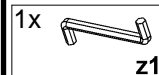
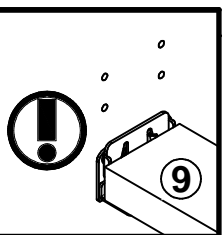
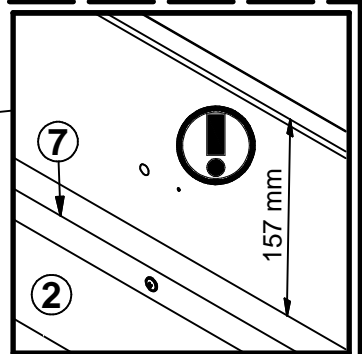
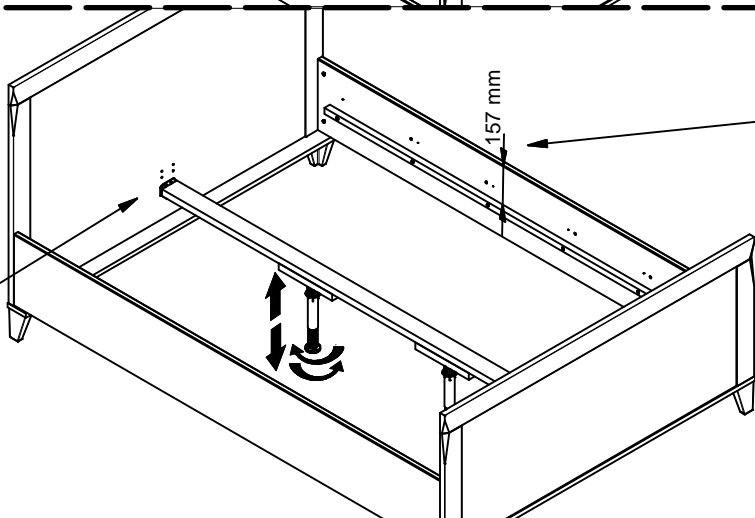
A	B	C	D	
1	S359-1045	1996	288	2/3
2	S359-1046	1996	288	2/3
3	S359-4006	1448	884	1/3
4	S359-4007	1448	564	1/3
5	S359-4008	1452	86	2/3
6	ZZ1-502	1872	1396	2/3
7	ZZ1-747	1880	25	2/3
8	ZZ1-759	250	70	2/3
9	ZZ1-767	1983	70	2/3



A

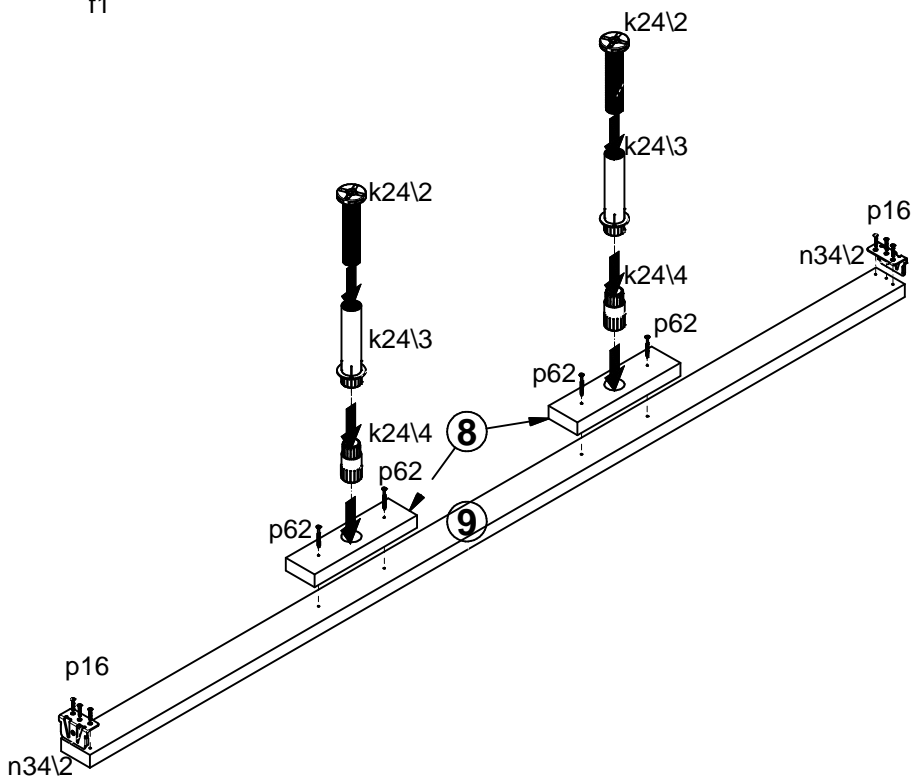
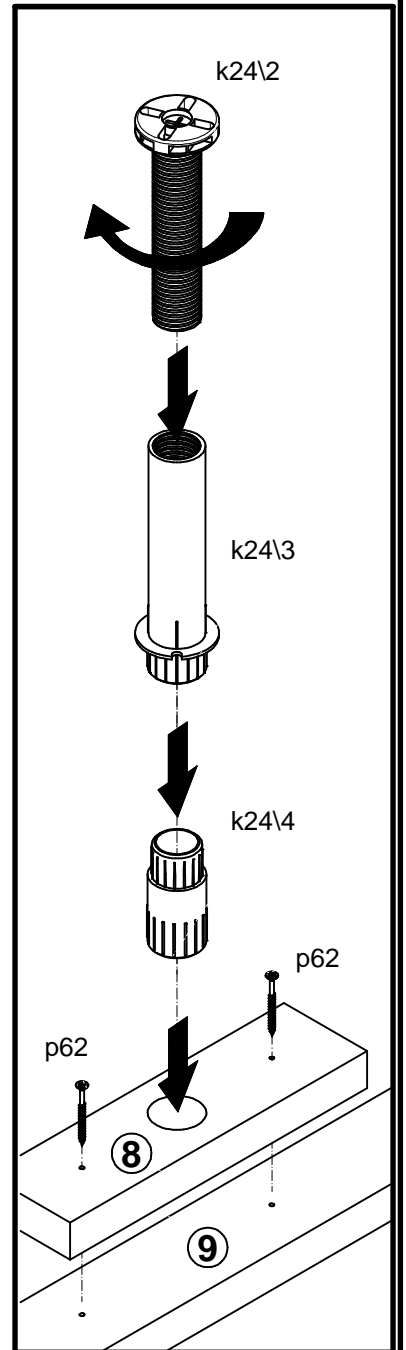
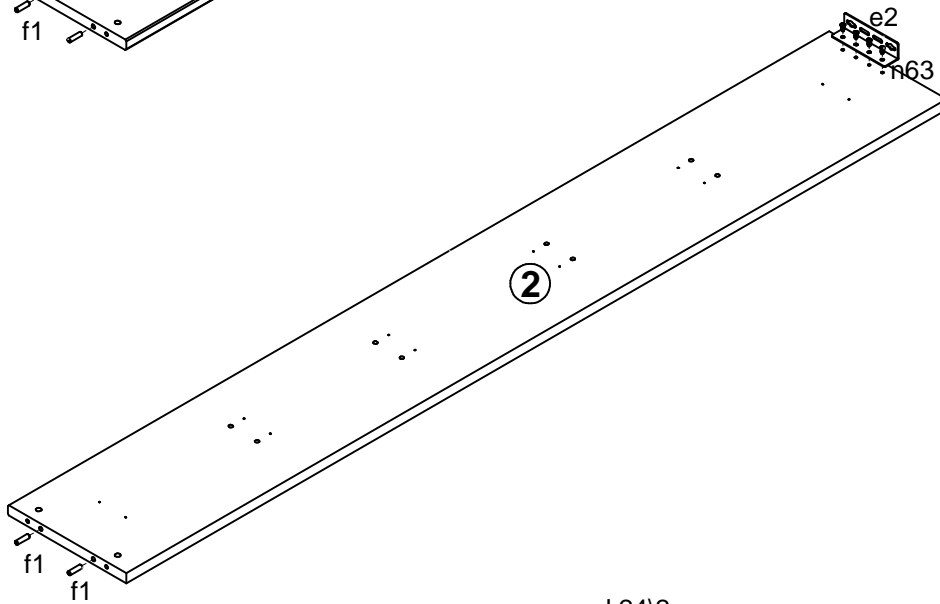
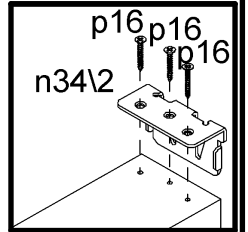
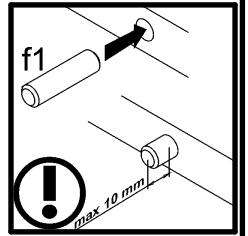
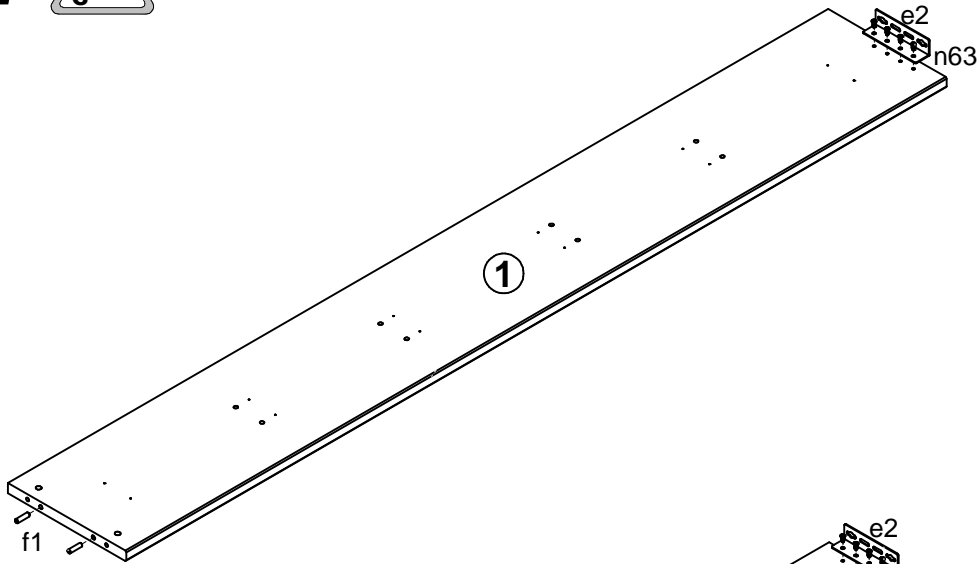


B

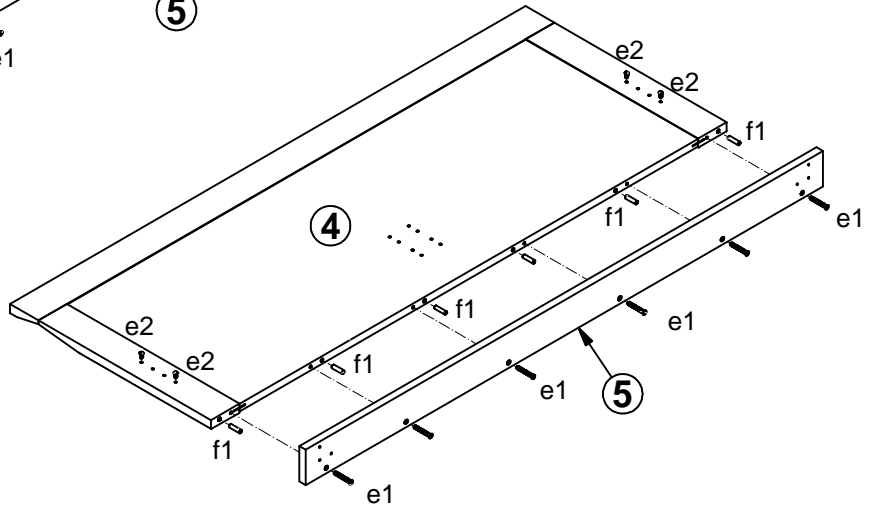
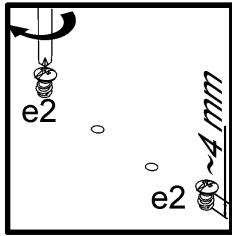
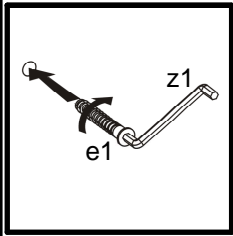
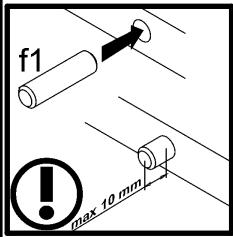
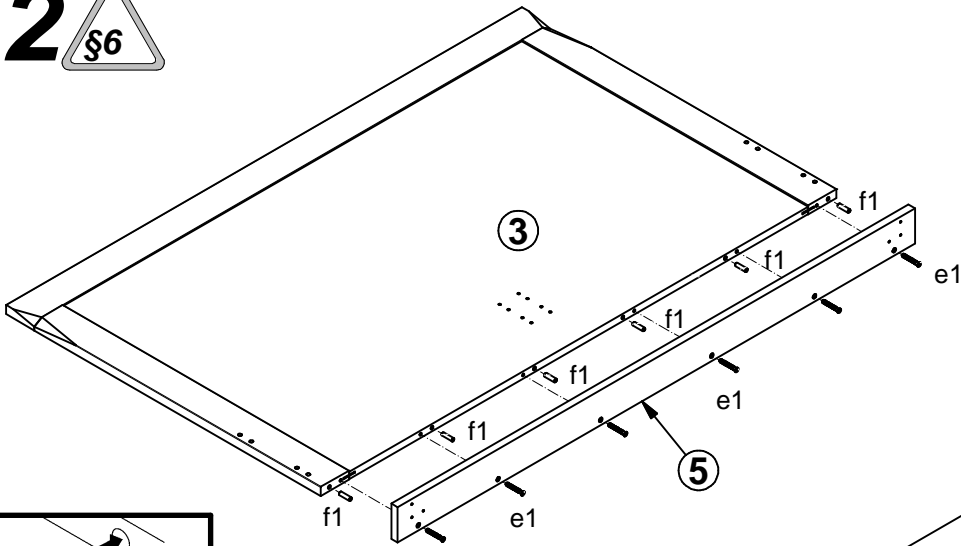


12x Ø7x50 mm e1	16x Ø6.3x13 mm e2	8x Ø6x13 mm e3	12x Ø5x18 mm e58	24x Ø8x30 mm f1	4x M6x60 mm j144	4x k125	2x k24\2	2x k24\3
2x k24\4	2x n34\1	2x n34\2	2x 130x34x34\2 mm n63	12x Ø4x40 mm p10	6x Ø3.5x25 mm p16	6x Ø4x35 mm p6	4x Ø4x45 mm p62	4x Ø10x16 mm r43

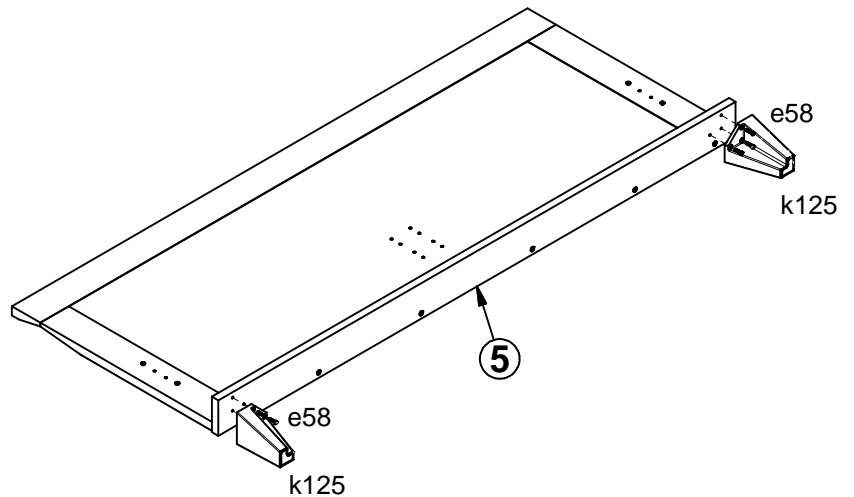
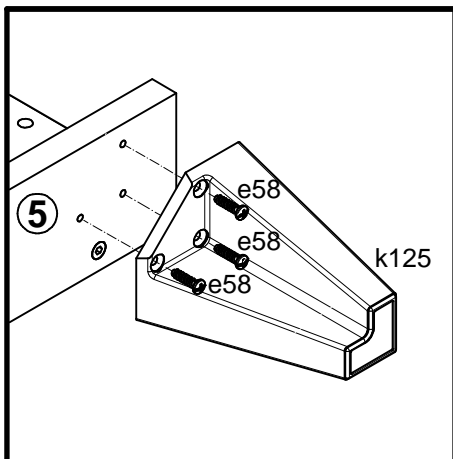
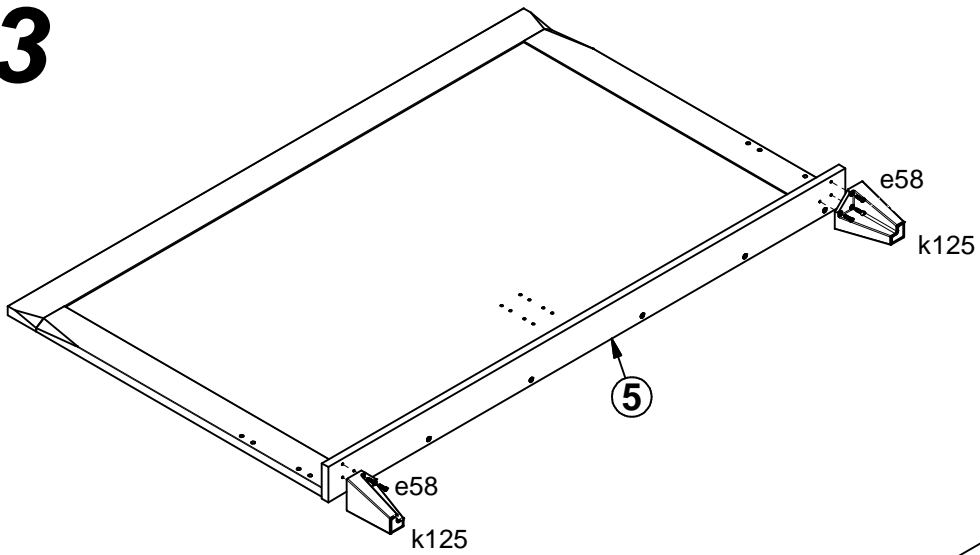
1 



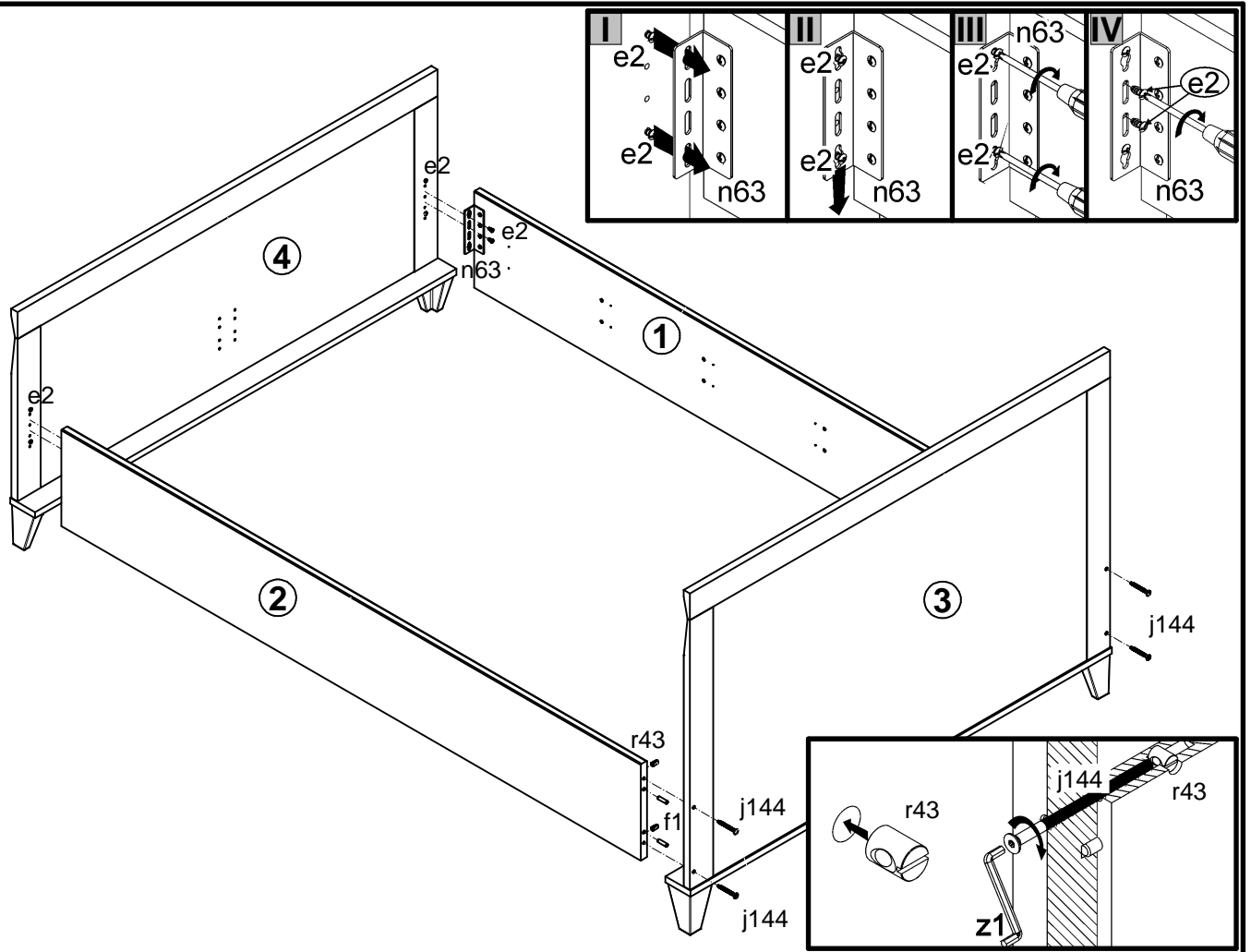
2 §6



3



4



5A

