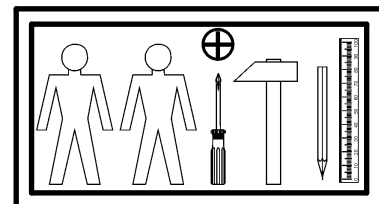
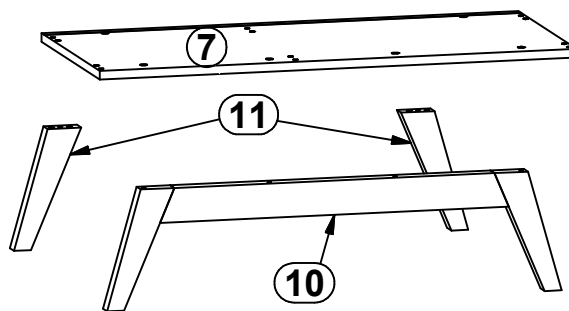
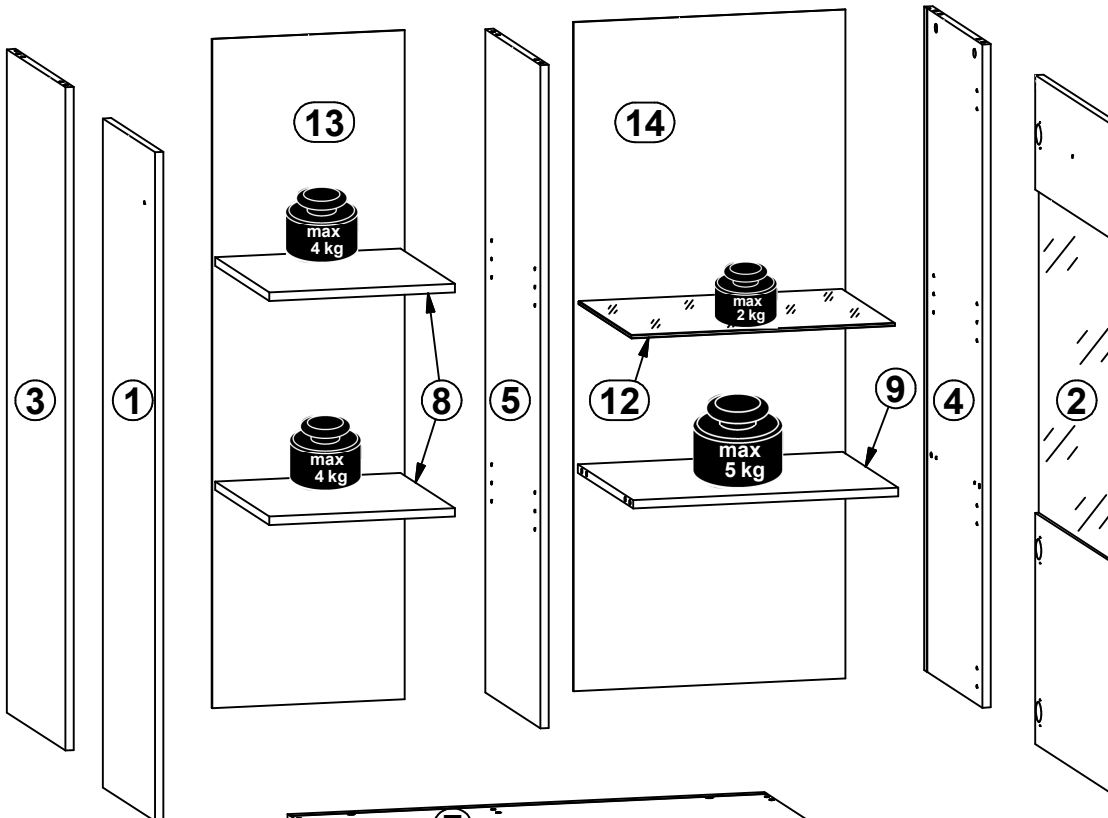
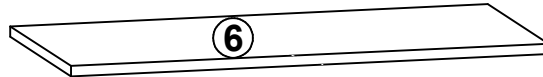
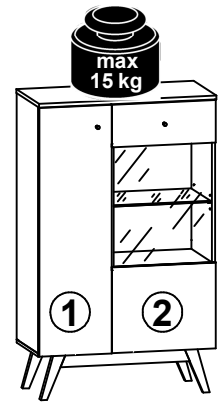


**A**

# HEDA

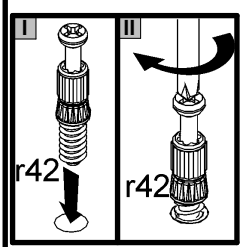
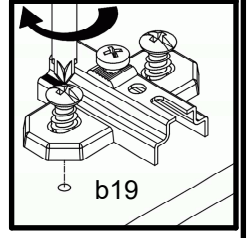
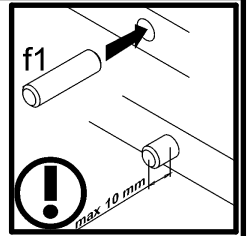
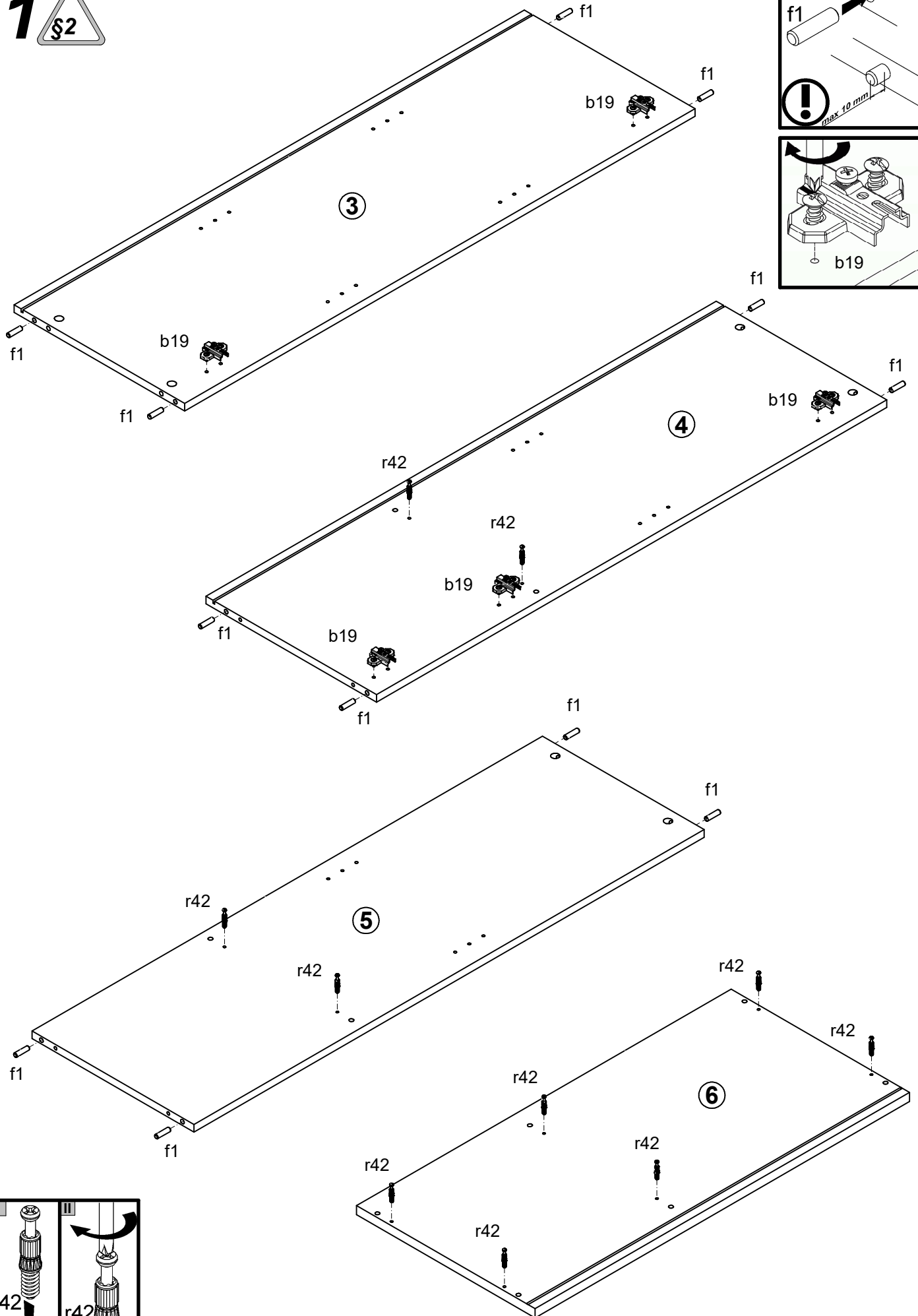
**S385-REG1D1W**

A	B	C	D	A	B	C	D		
1	S385-0010	1168	346	3/3	8	S385-3006	330	360	2/3
2	S385-0011	1168	496	3/3	9	S385-3008	472	367	2/3
3	S385-1017	1158	387	1/3	10	S385-5002	809	210	2/3
4	S385-1018	1158	387	1/3	11	S385-5003	210	58	2/3
5	S385-1019	1158	367	1/3	12	S385-5009	470	350	2/3
6	S385-2013	850	405	2/3	13	S385-9007	1168	343	3/3
7	S385-2014	849	387	2/3	14	S385-9013	1168	484	3/3

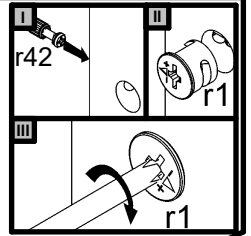
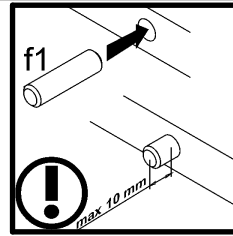
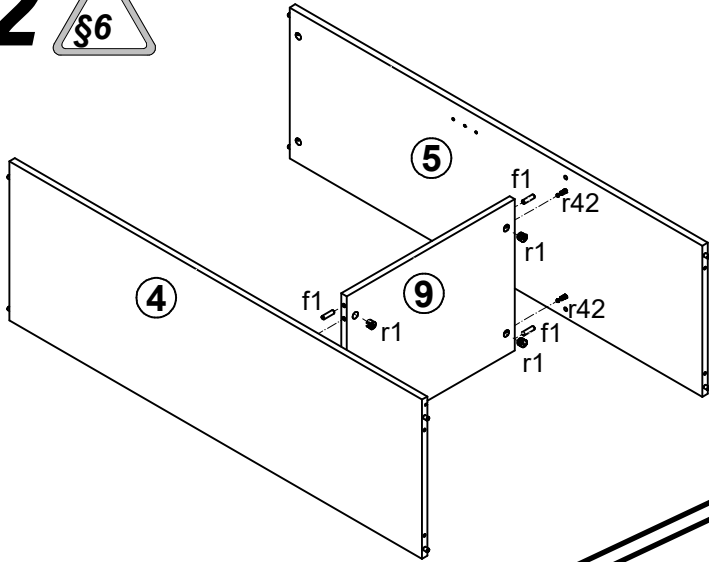


5x  a44	5x  b19	2x  c472	8x  d1 Ø5x17 mm	4x  d3 Ø5x17 mm	12x  e1 Ø7x50 mm	20x  f1 Ø8x30 mm	25x  l1	14x  l2
10x  p51 Ø3.5x15 mm	2x  p78 Ø3.5x30 mm	10x  r1 Ø15x12 mm #16	10x  r42 20/11	6x  s1	6x  s2 Ø16	1x  z1 4 mm	1x  n26/1	1x  p38 Ø3.5x16 mm

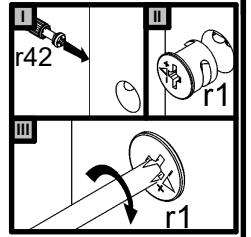
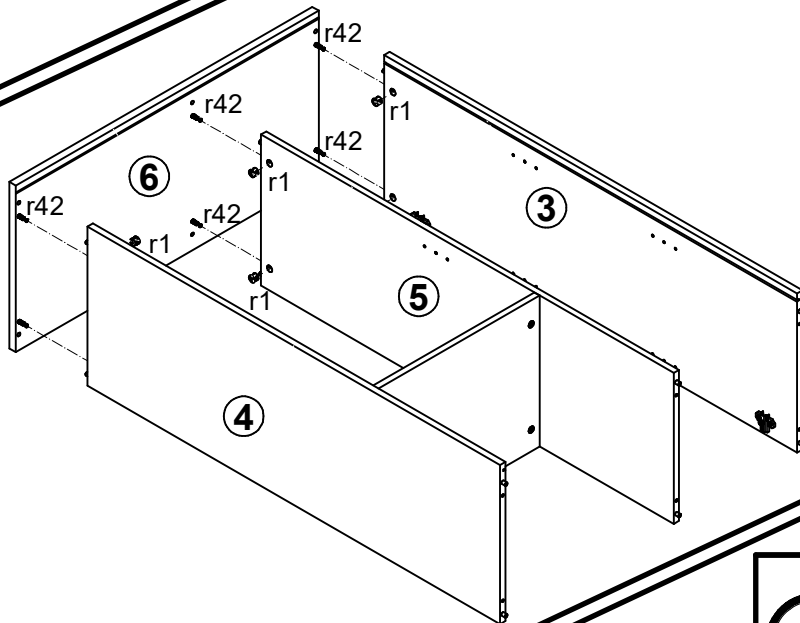
1 



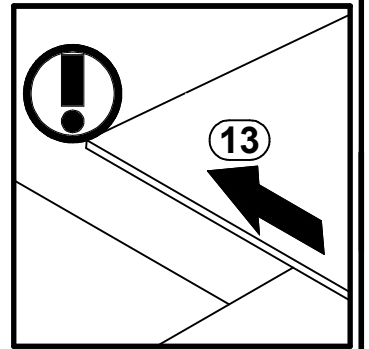
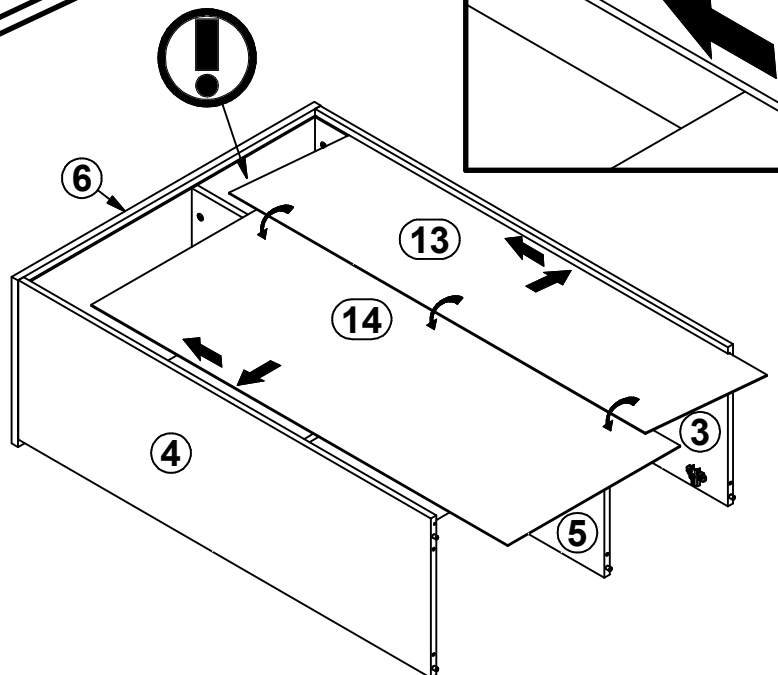
# 2



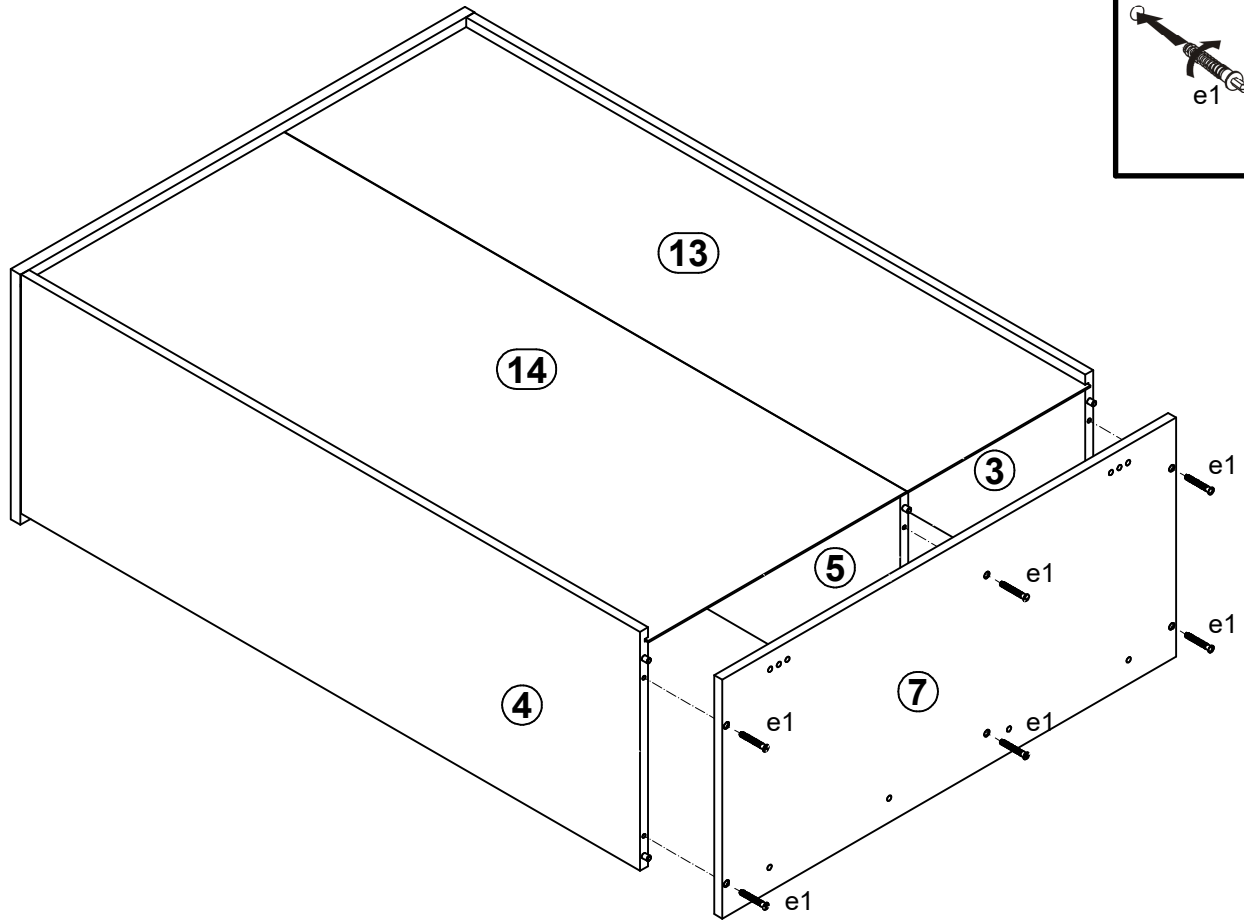
# 3



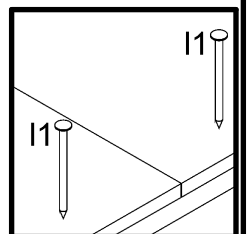
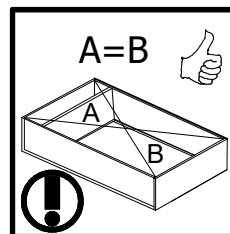
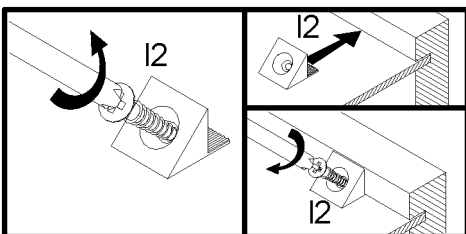
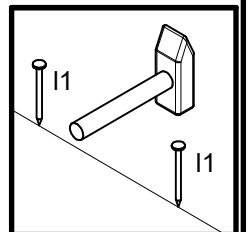
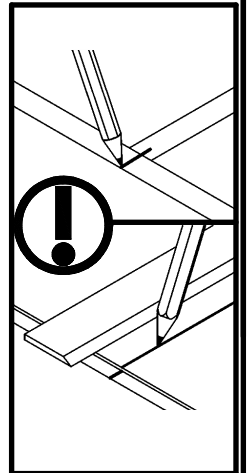
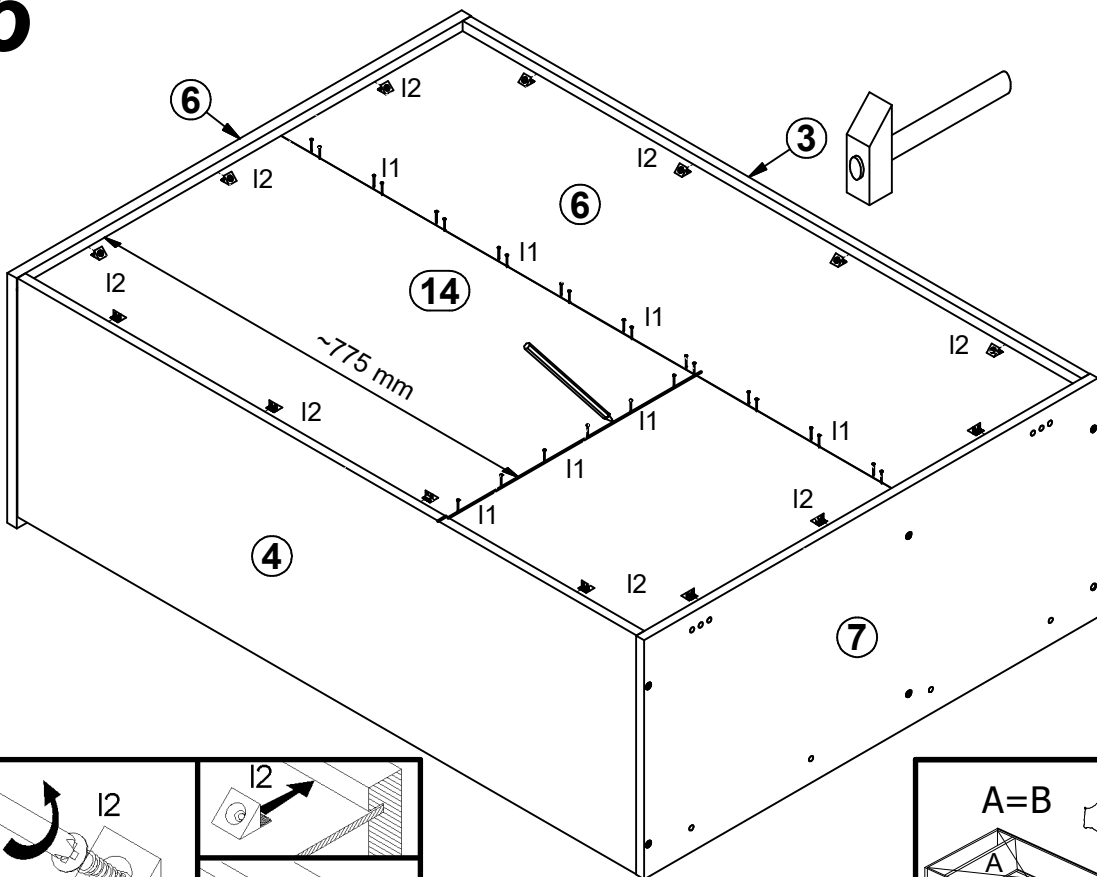
# 4



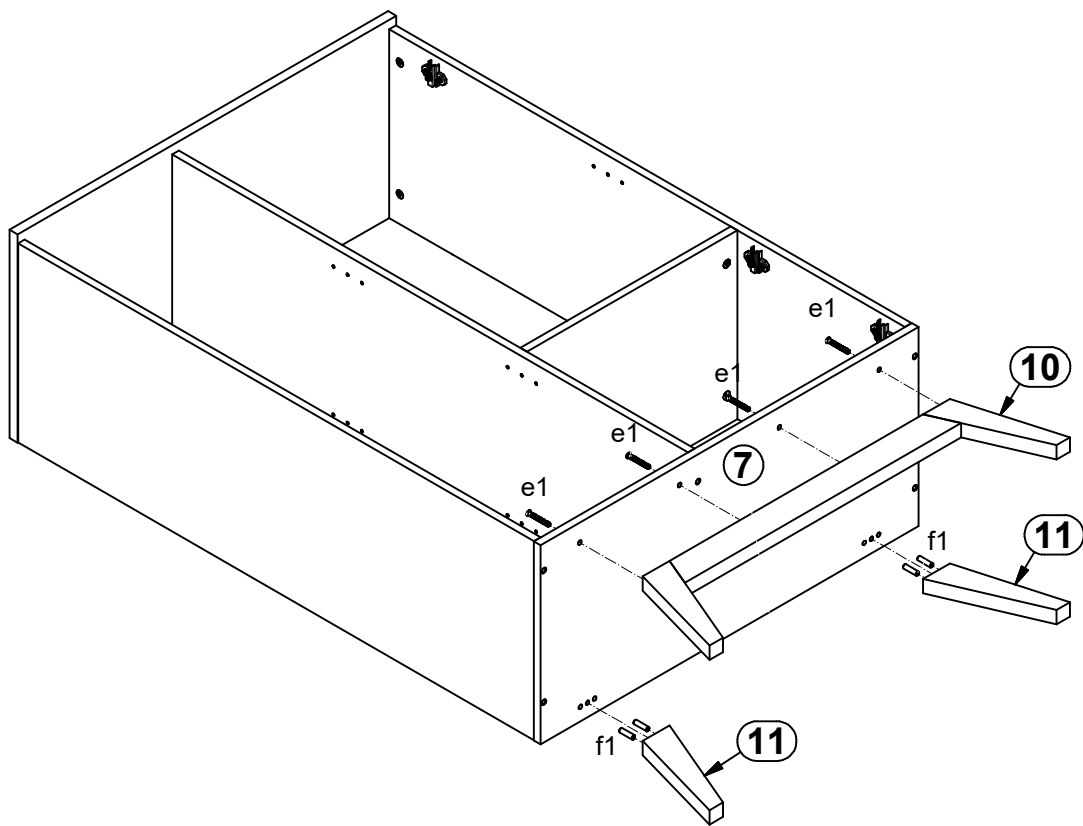
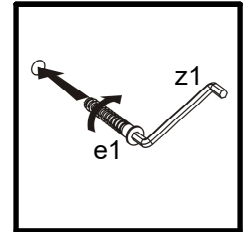
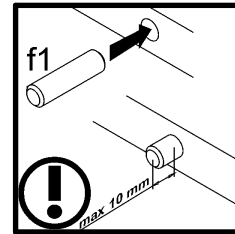
# 5



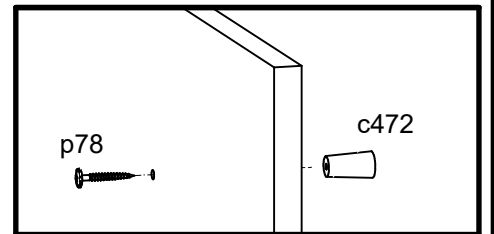
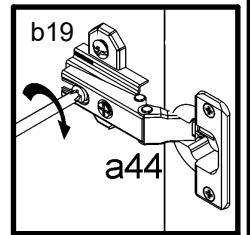
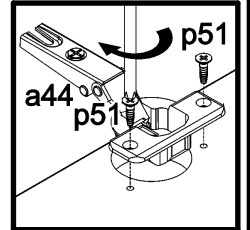
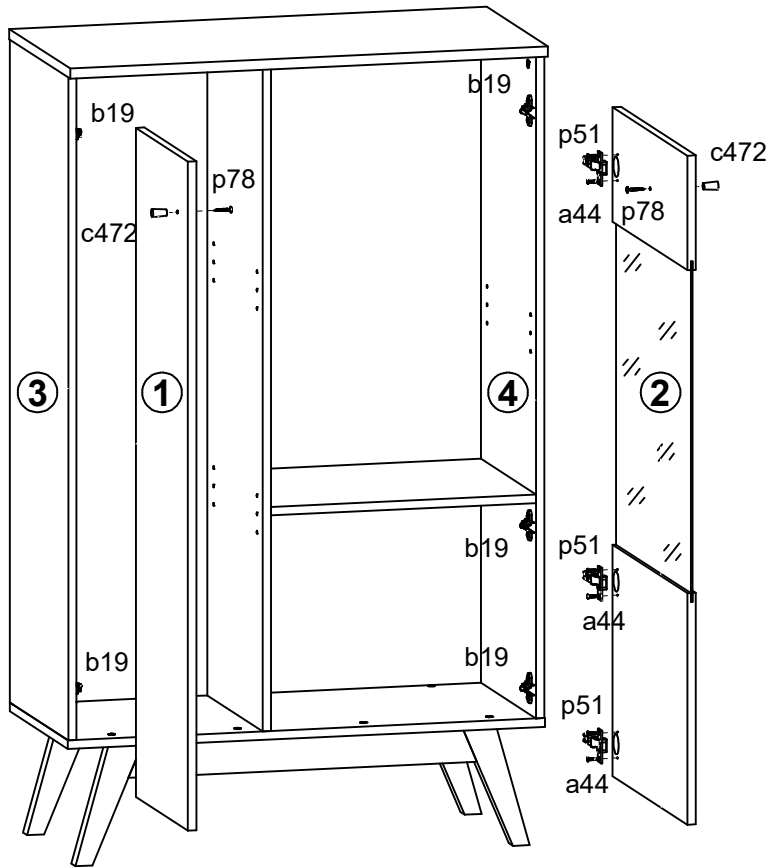
# 6



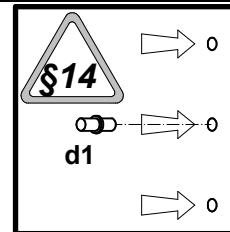
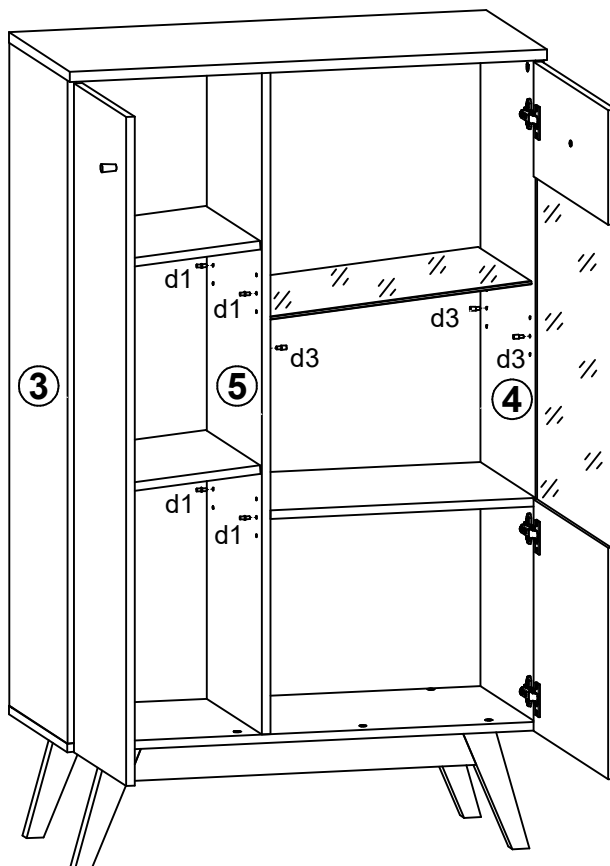
# 7



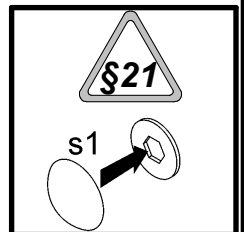
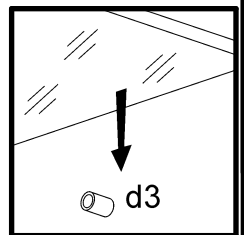
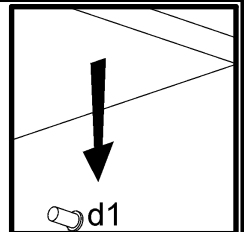
# 8



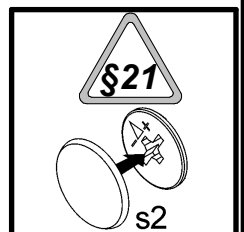
# 9



d1



s1



s2