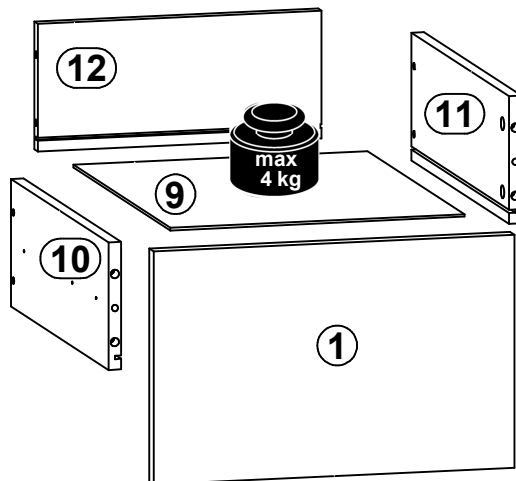
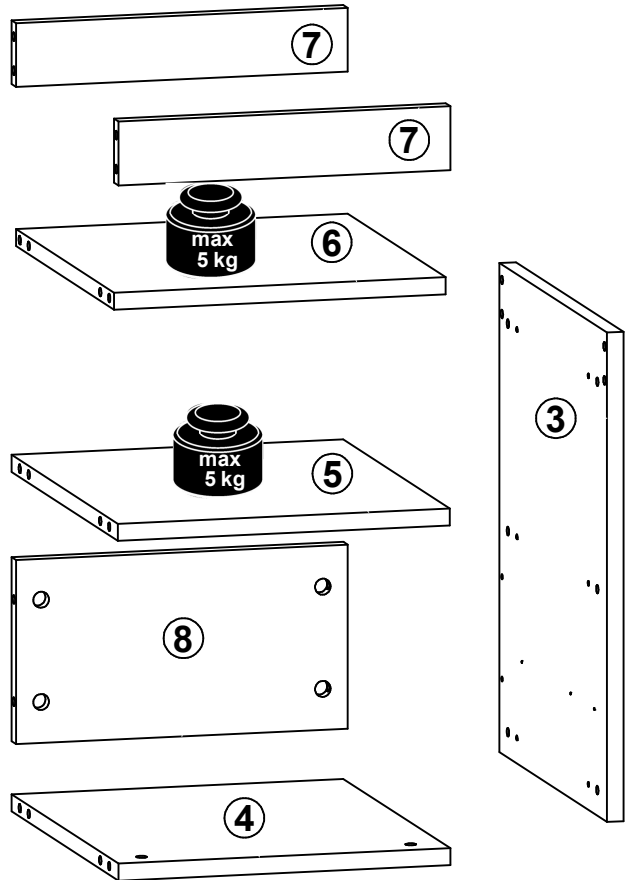
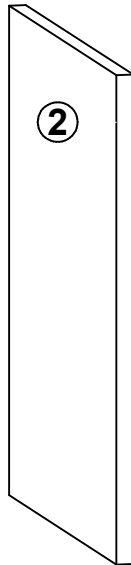
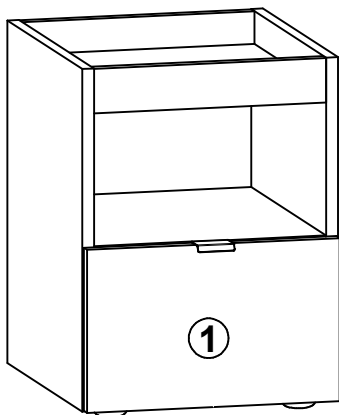
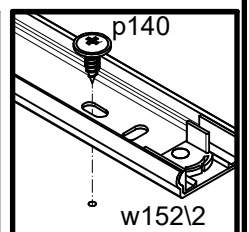
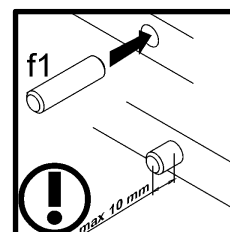
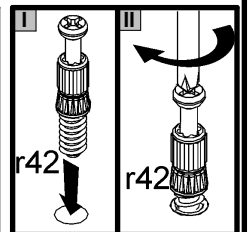
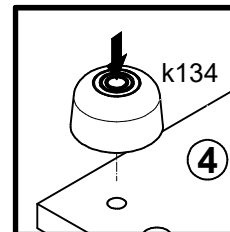
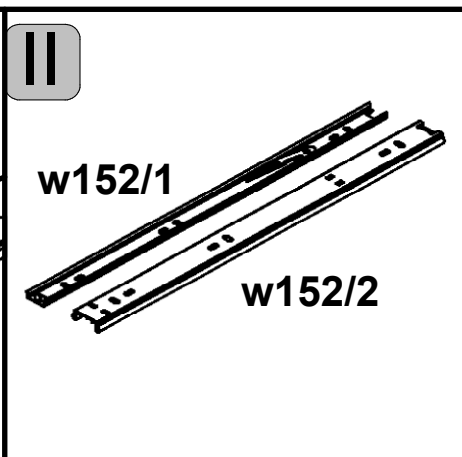
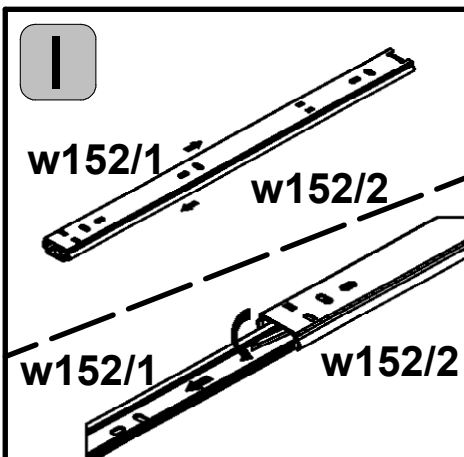
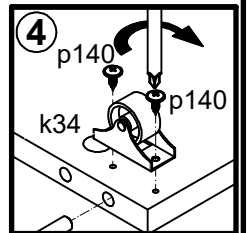
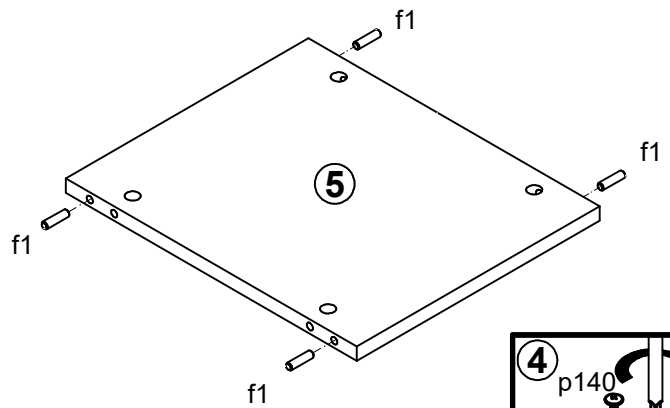
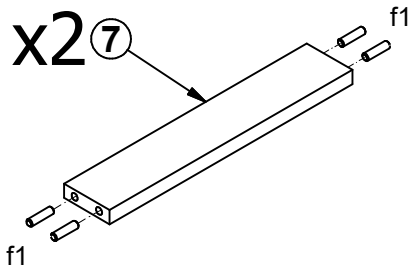
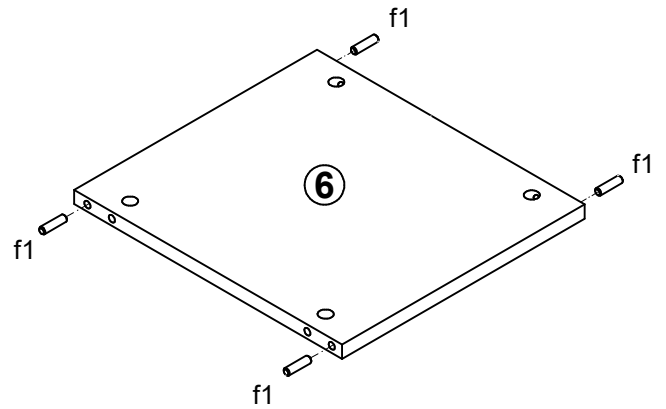
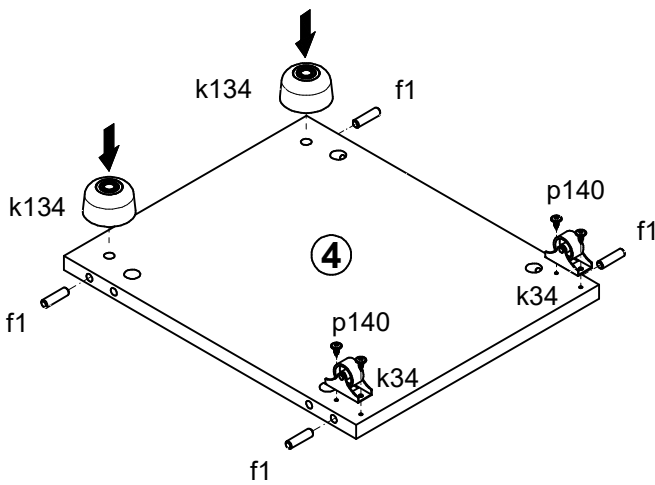
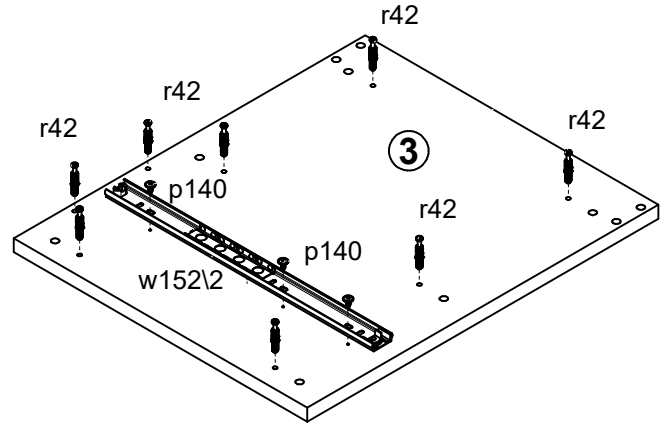
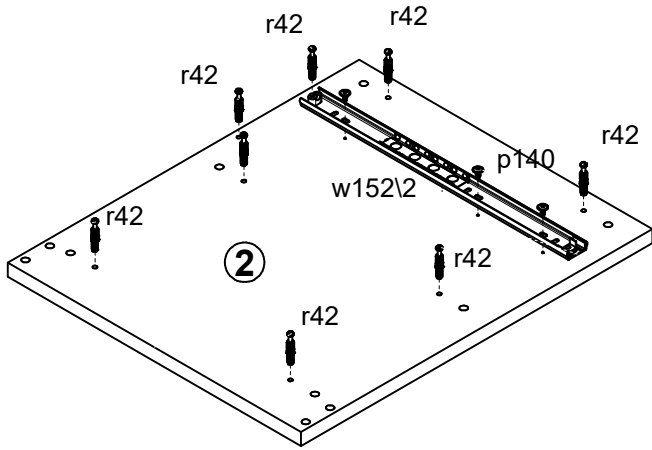


A	B	C	D
1	S406-0002	346	219
2	S406-1007	460	384
3	S406-1008	460	384
4	S406-3005	318	383
5	S406-3006	318	381
6	S406-3007	318	351
7	S406-4004	318	60
8	S406-4006	318	173
9	S406-9002	347	282
10	ZK2-503	350	120
11	ZK2-504	350	120
12	ZS4-5521	272	120

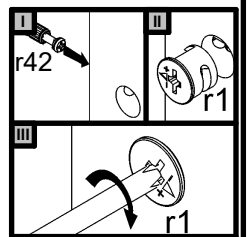
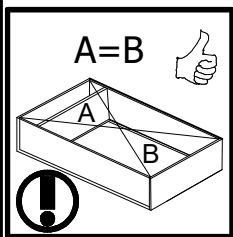
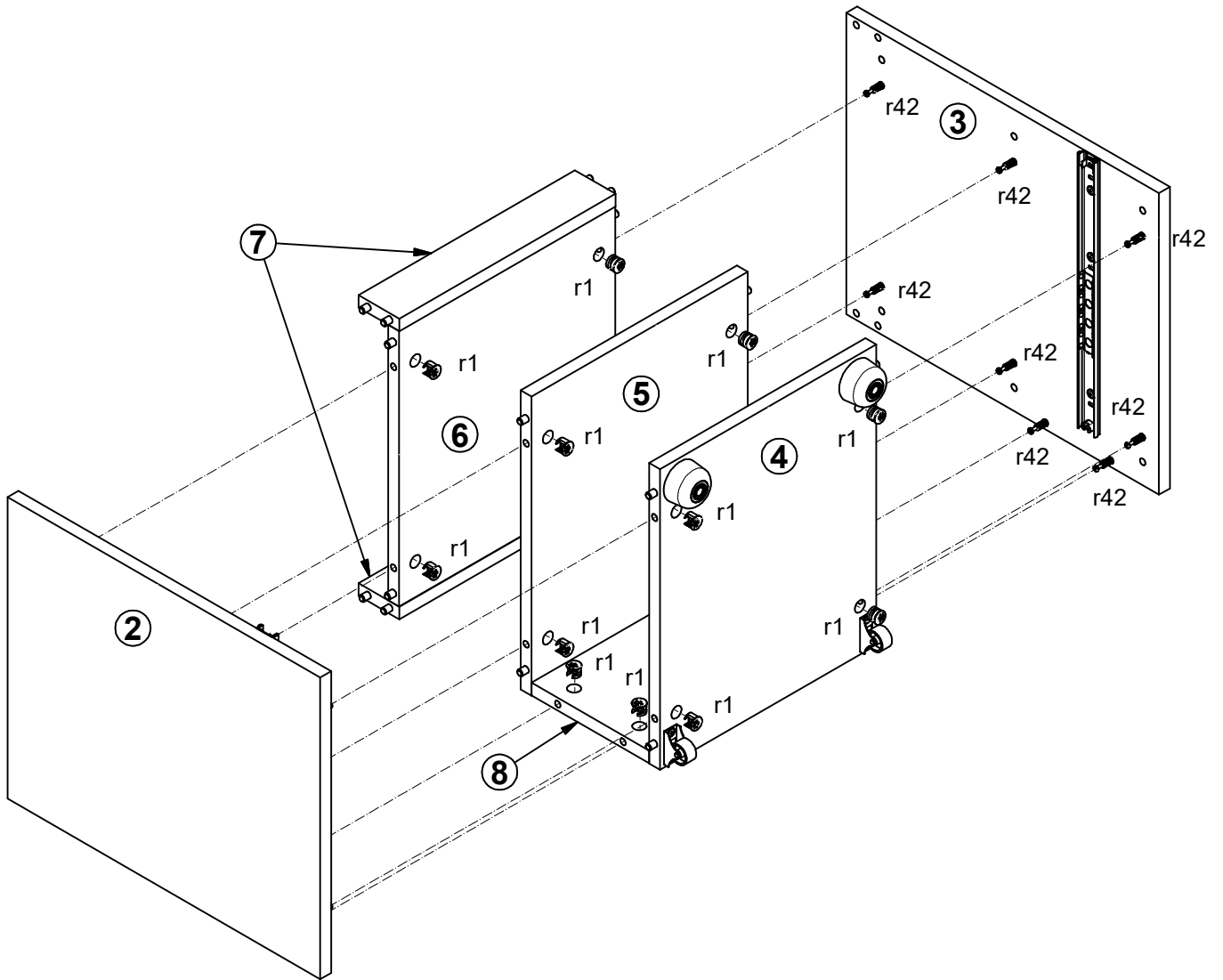


1x 32 mm <b>c478</b>	20x Ø8x30 mm <b>f1</b>	2x Ø6x30 mm <b>f9</b>	4x Ø6,5x40 mm <b>f25</b>	2x Ø25 mm <b>k34</b>	2x Ø49x27/45mm <b>k134</b>	2x silikon <b>o21</b>	2x Ø3,5x14 mm <b>p133</b>	16x Ø3,5x12 mm <b>p140</b>
16x Ø15x12 mm #16 <b>r1</b>	4x <b>r15</b>	20x 20/11 <b>r42</b>	2x 350/580 mm <b>w152/1</b>	2x 350/580 mm <b>w152/2</b>	4x Ø16 <b>s2</b>	1x 4 mm <b>z15</b>		

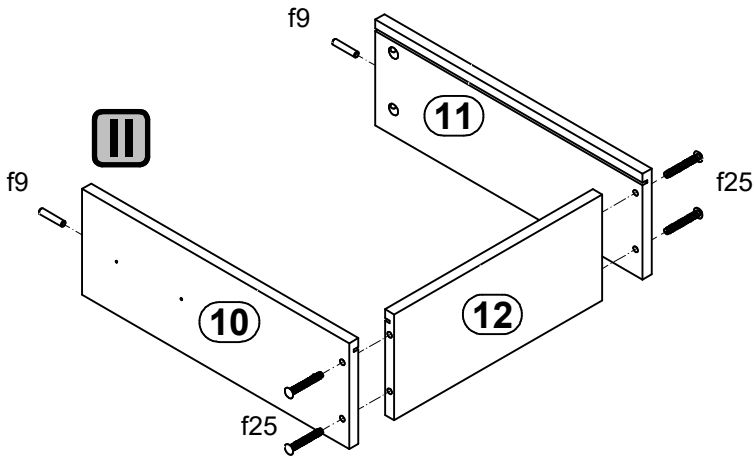
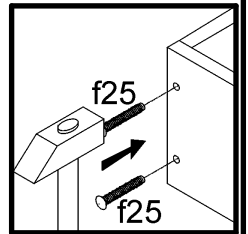
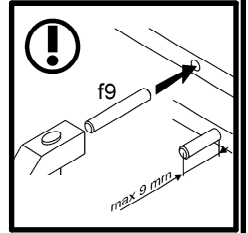
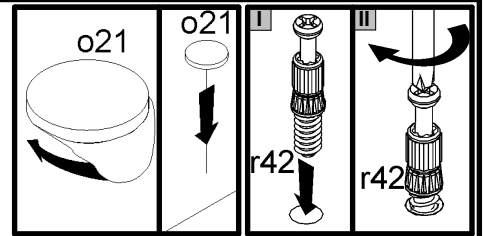
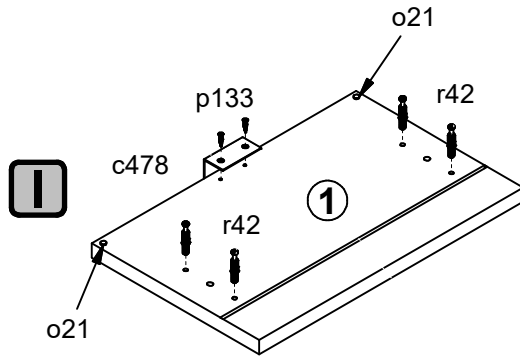
1 



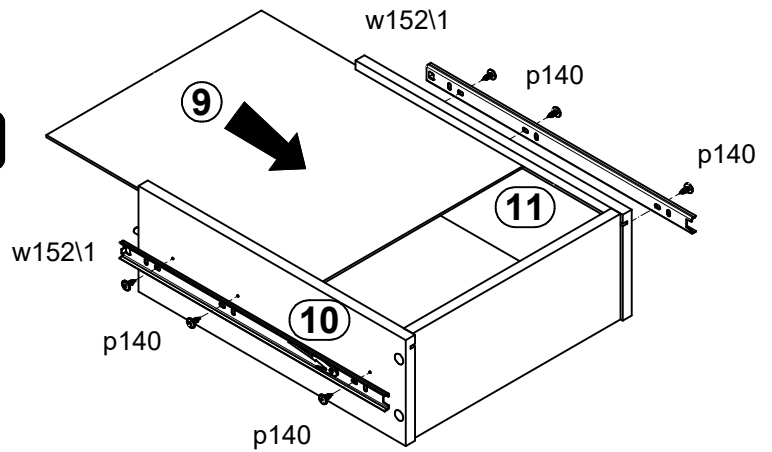
# 2



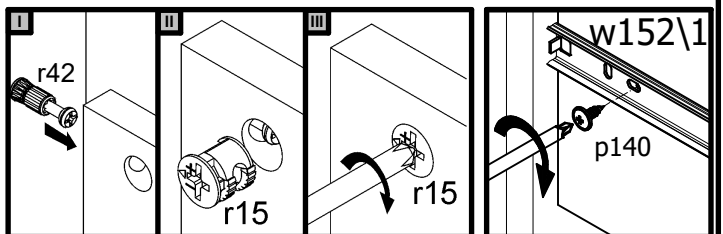
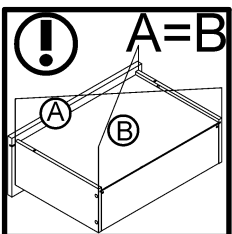
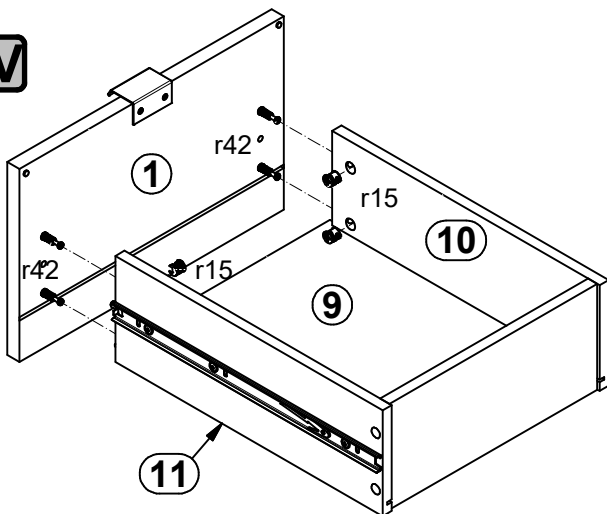
# 3



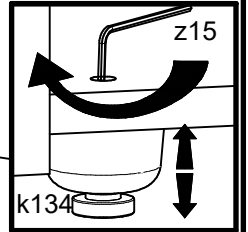
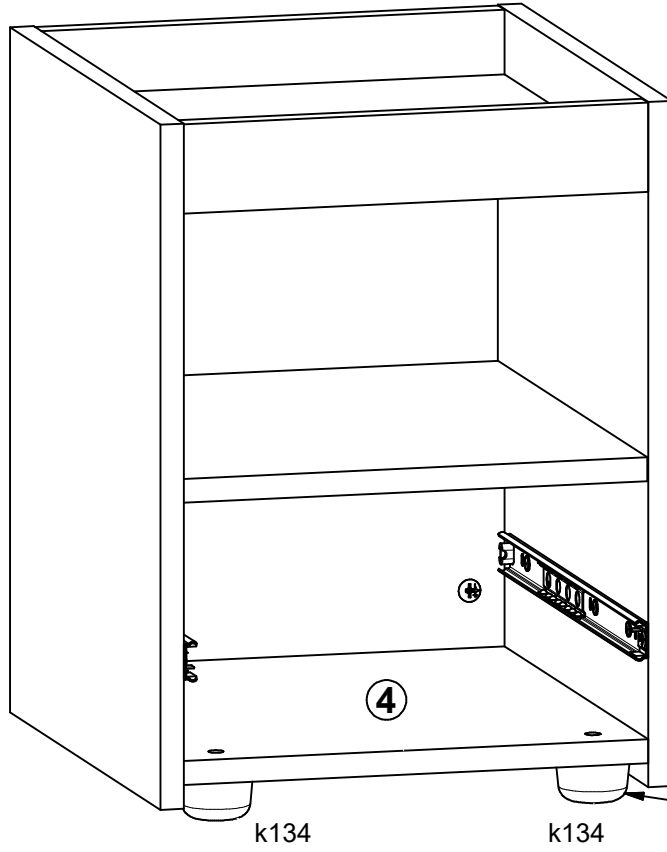
### III



### IV



# 4



# 5

