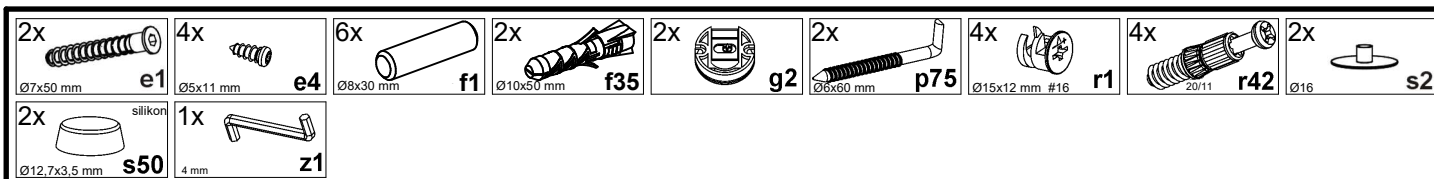
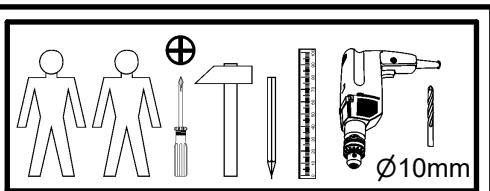
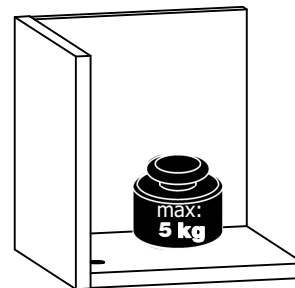
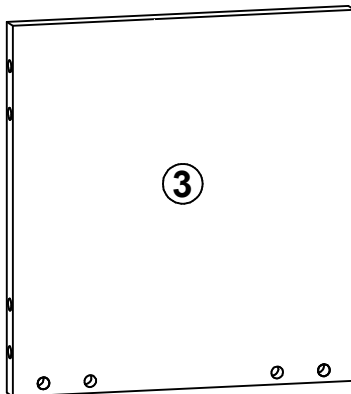
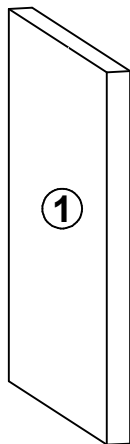
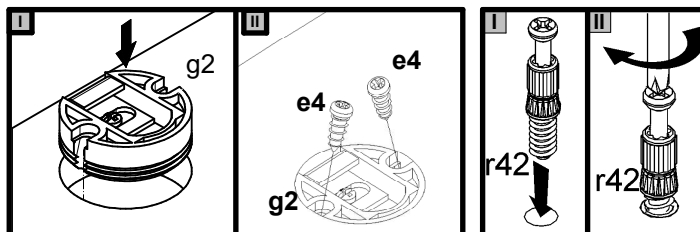
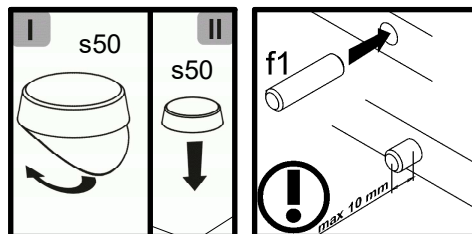
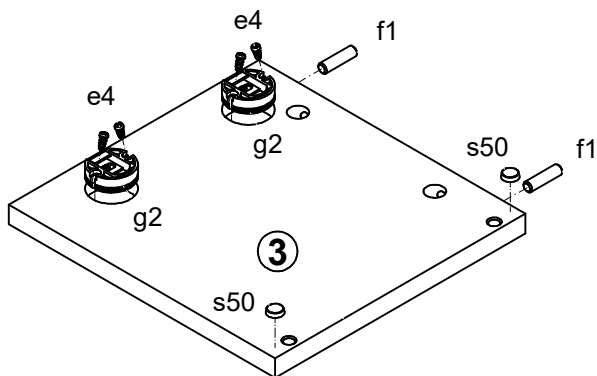
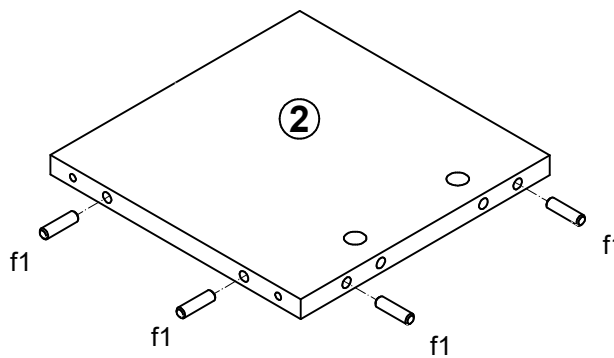
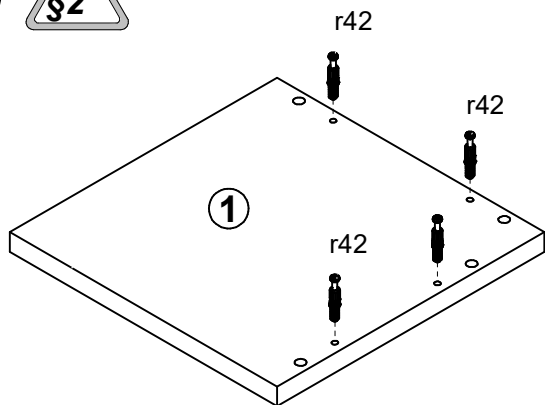


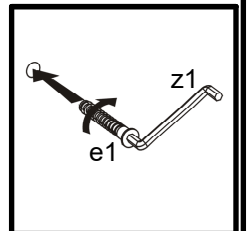
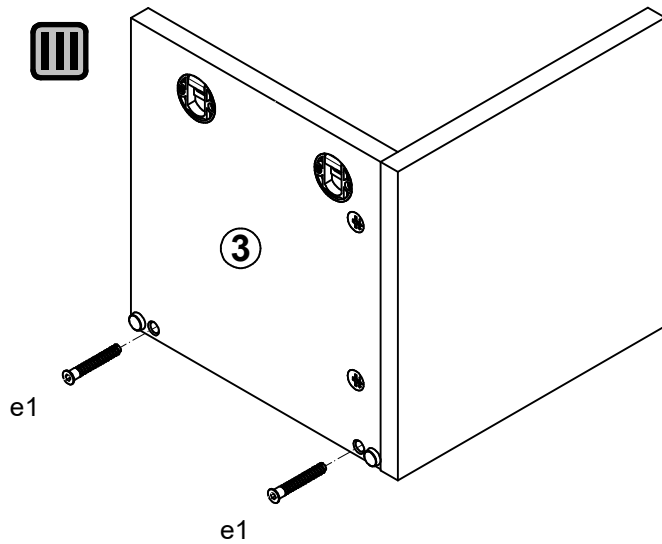
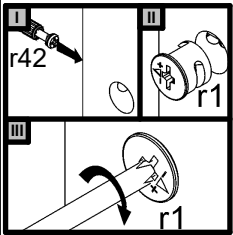
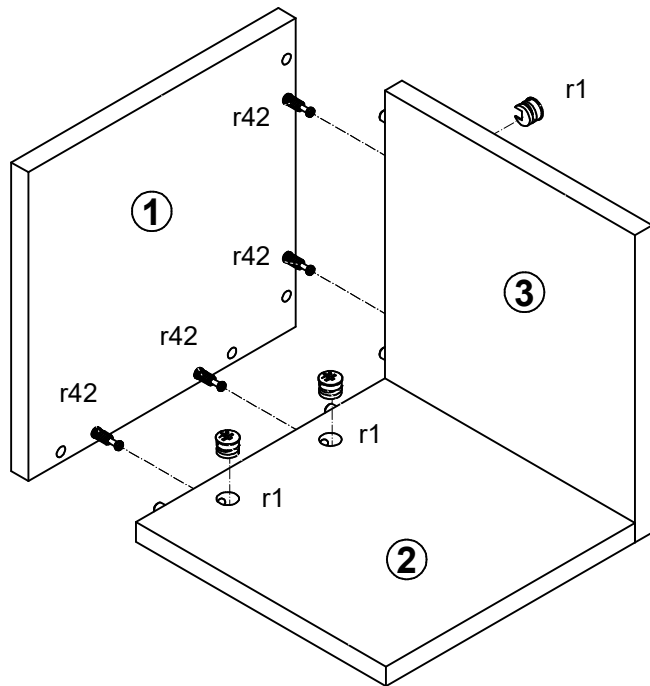
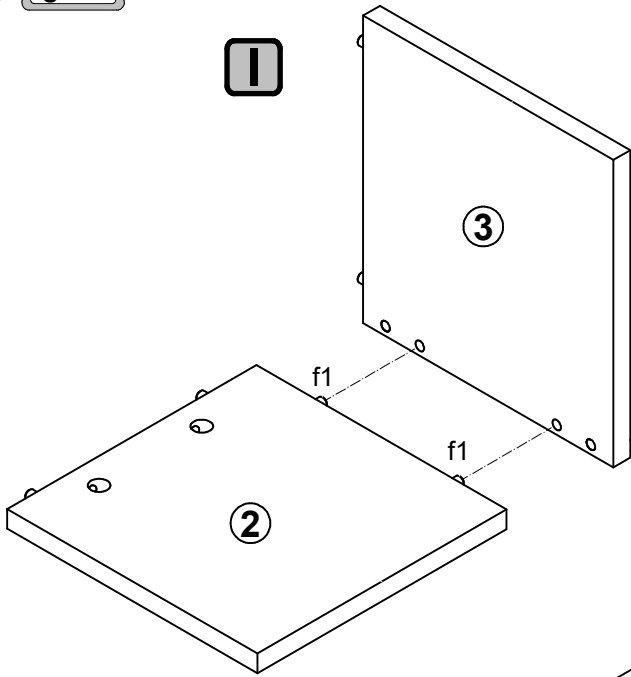
A	B	C	D
1	S406-1018	250	250
2	S406-3016	234	233
3	S406-4013	249	234



1 §2



# 2



# 3

