

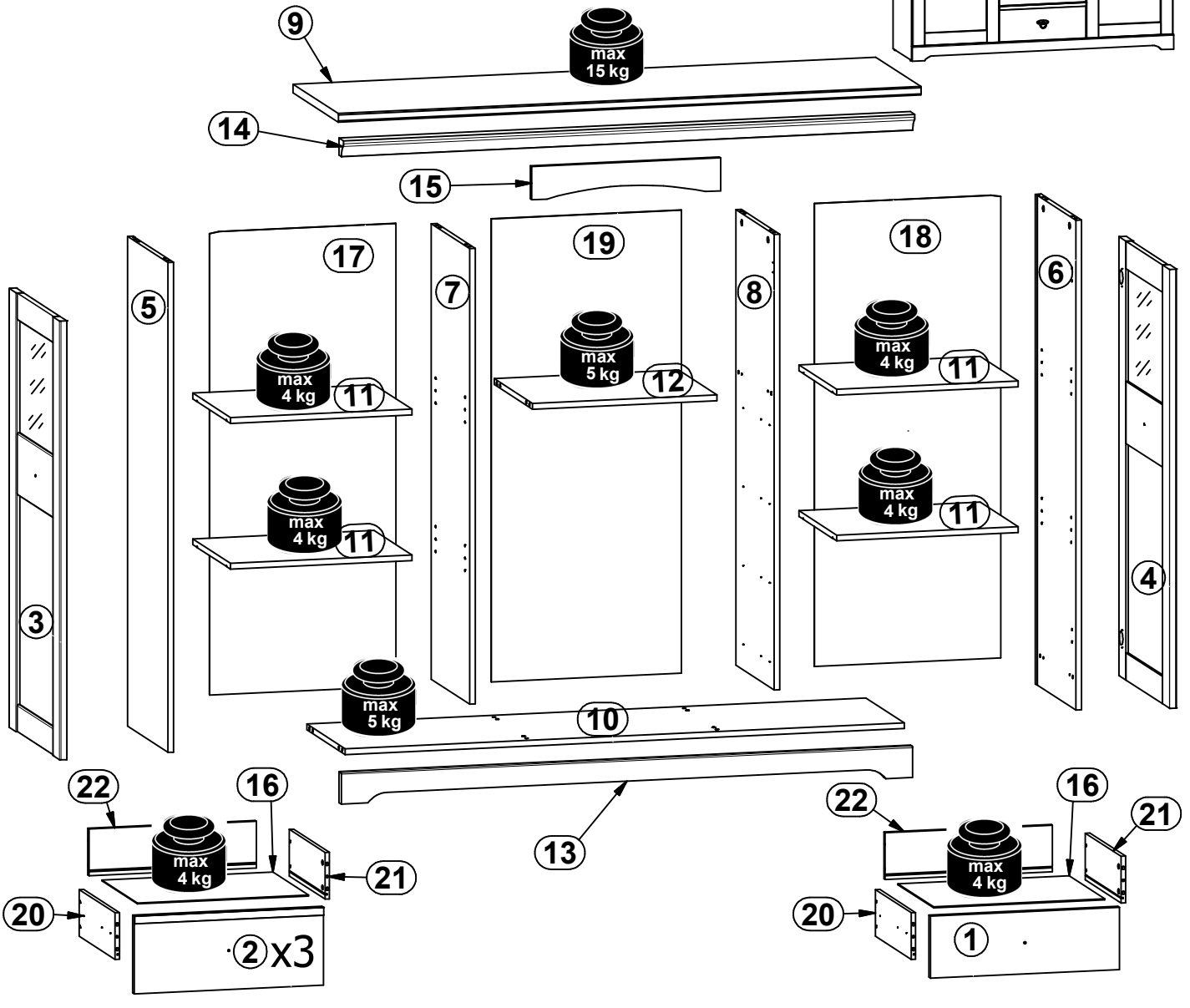
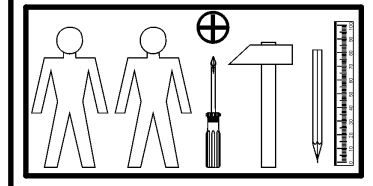
**A**

# PATRAS

**S405-KOM2W4S**

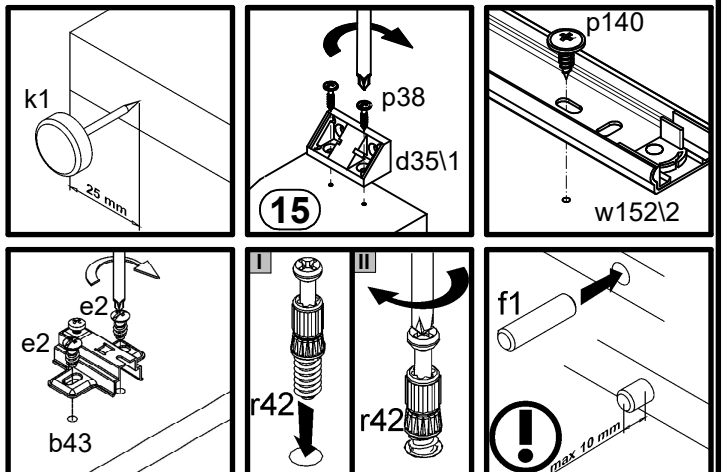
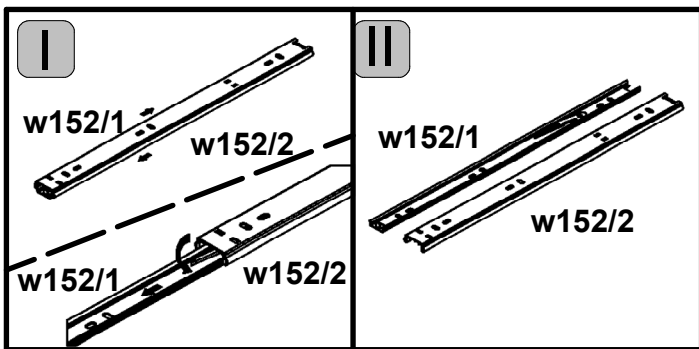
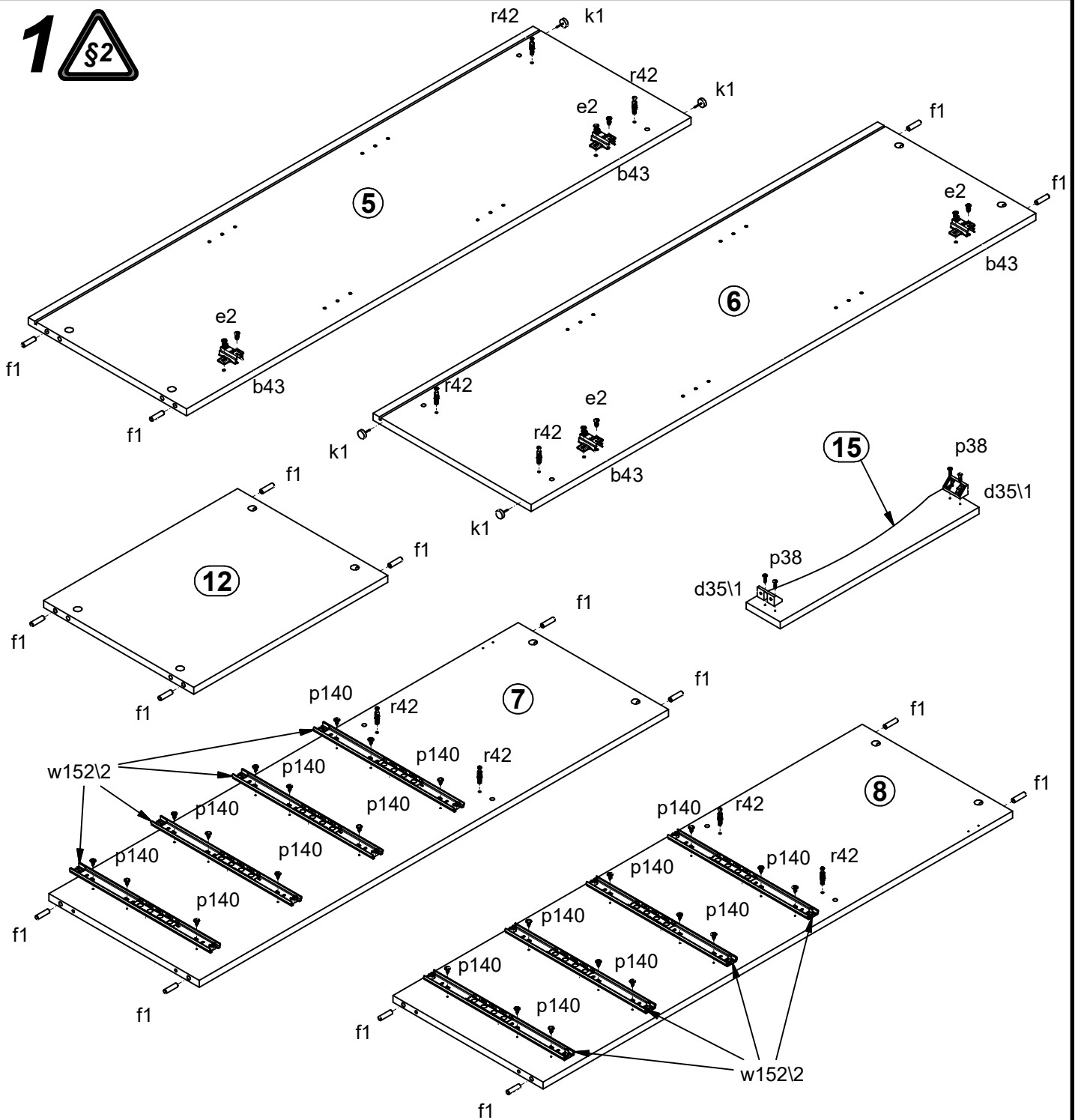
A	B	C	D
1	S405-0001	496	160 3/3
2	S405-0002	496	200 3/3
3	S405-0019	1129	496 3/3
4	S405-0020	1129	496 3/3
5	S405-1031	1260	395 1/3
6	S405-1032	1260	395 1/3
7	S405-1033	1172	375 1/3
8	S405-1034	1172	375 1/3
9	S405-2001	1529	445 2/3
10	S405-3001	1467	375 2/3
11	S405-3002	476	370 2/3

A	B	C	D
12	S405-3023	484	375 2/3
13	S405-5001	1499	80 2/3
14	S405-5002	1499	44 2/3
15	S405-5019	496	85 3/3
16	S405-9001	449	348 1/3
17	S405-9010	1191	489 3/3
18	S405-9011	1191	489 3/3
19	S405-9012	1191	499 3/3
20	ZK1-503	350	120 1/3
21	ZK1-504	350	120 1/3
22	ZS4-5518	439	120 1/3

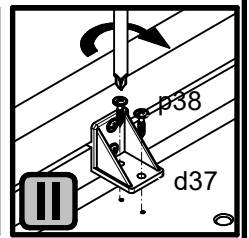
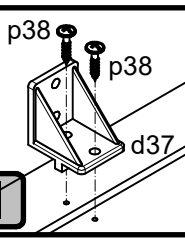
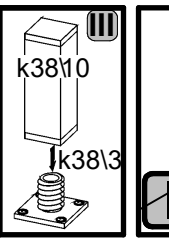
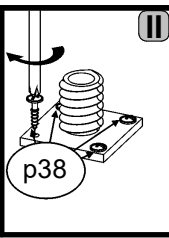
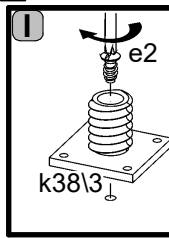
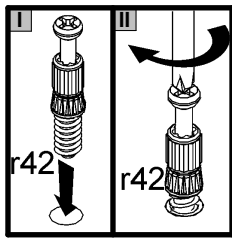
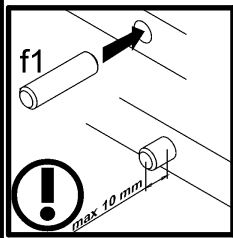
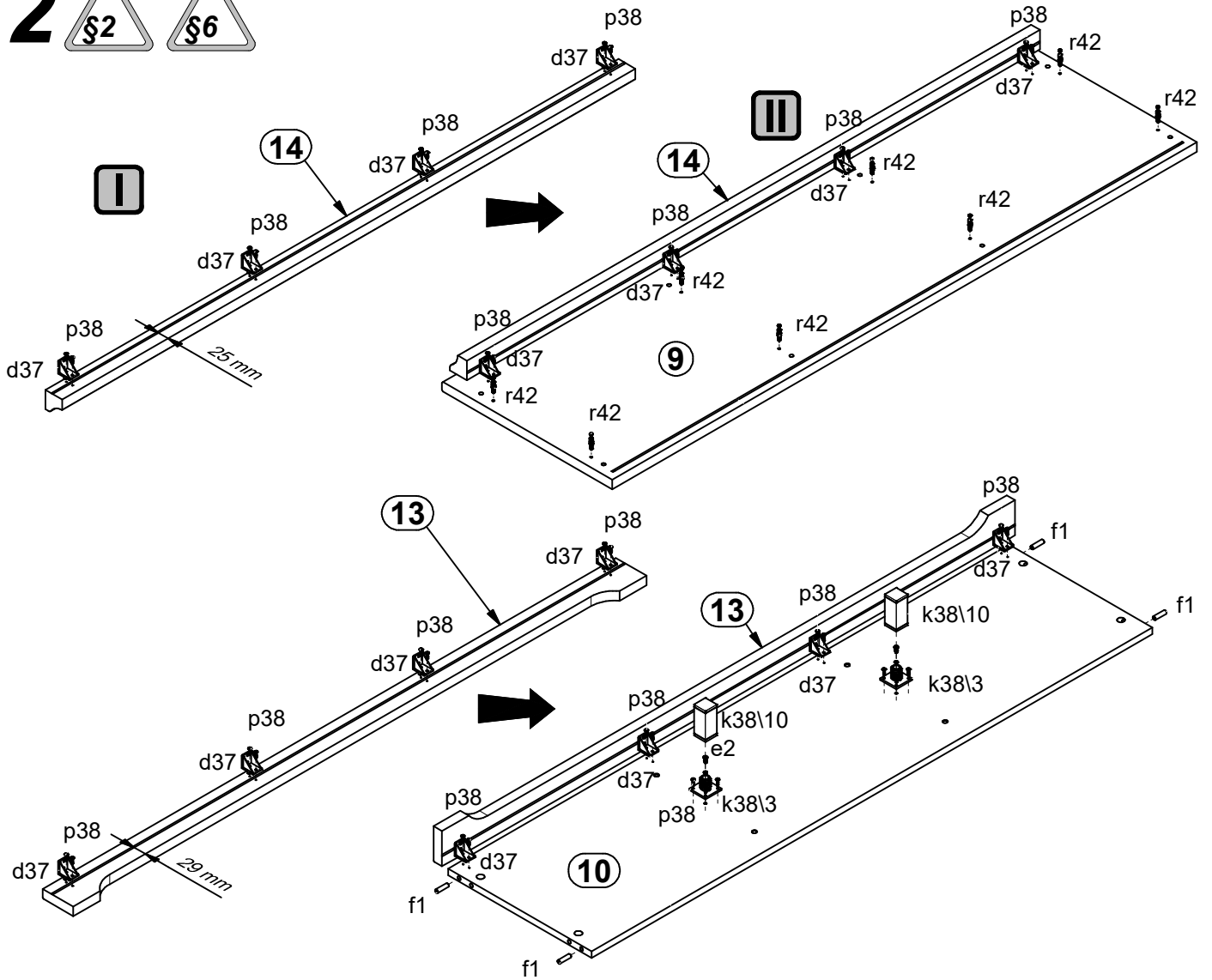


2x  a133	4x  a158	4x  b43	6x  c477/1	6x  c477/2	16x  d1	2x  d35/1	2x  d35/2	8x  d37
4x  e1	10x  e2	20x  f1	8x  f9	16x  f25	4x  j1	2x  j30	4x  k1	2x  k38/10
2x  k38/3	20x  l1	14x  l2	12x  n108	48x  p38	8x  p51	12x  p55	48x  p140	16x  r1
16x  r15	32x  r42	8x  w152/1	8x  w152/2	8x  s2	1x  z1	1x  n26/1	1x  p38	

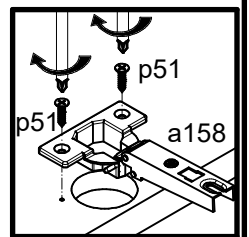
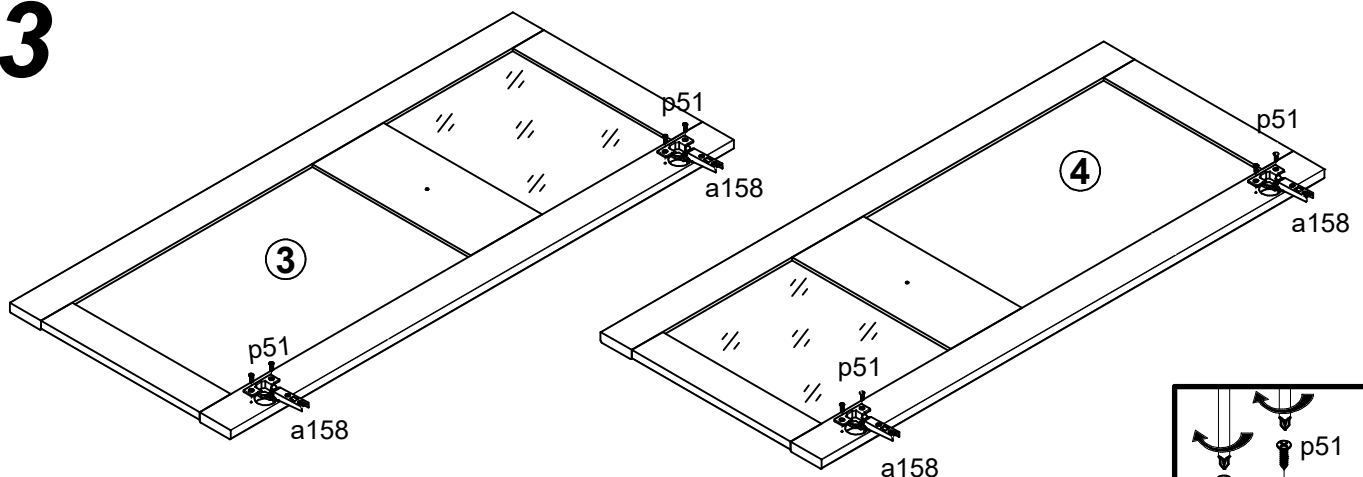
1 



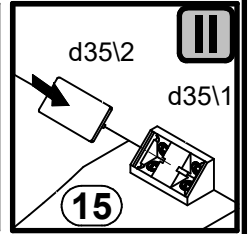
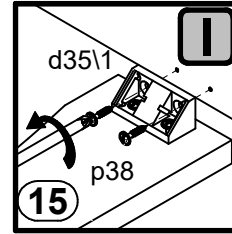
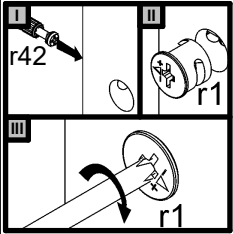
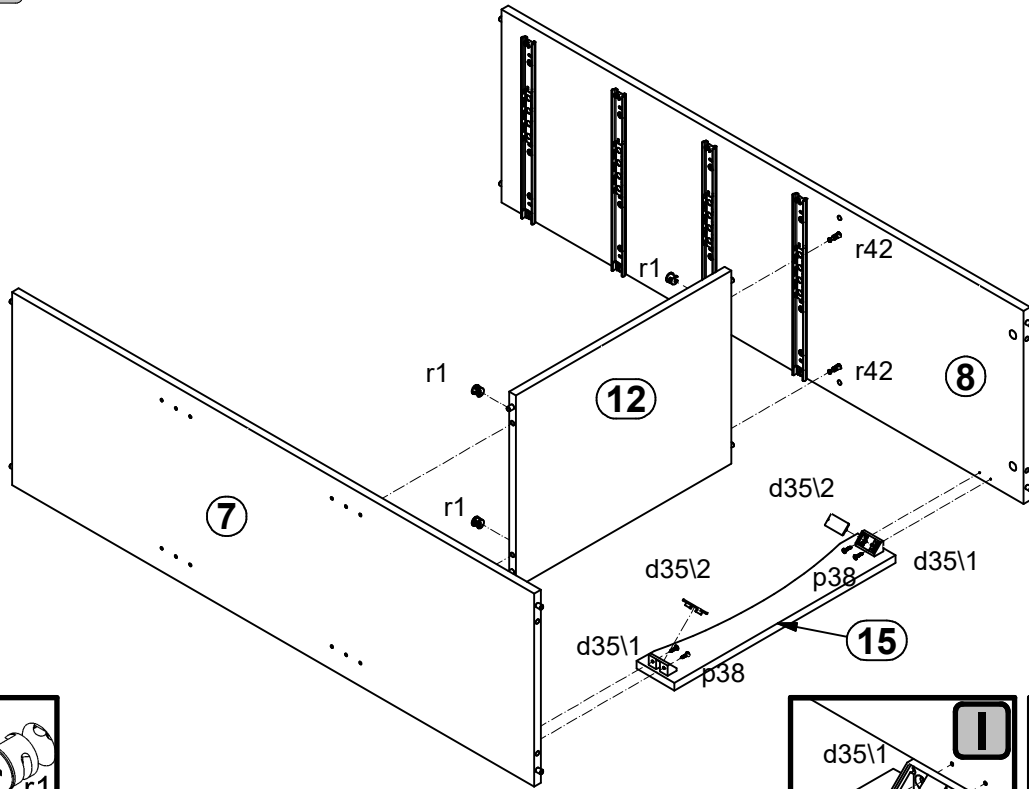
# 2



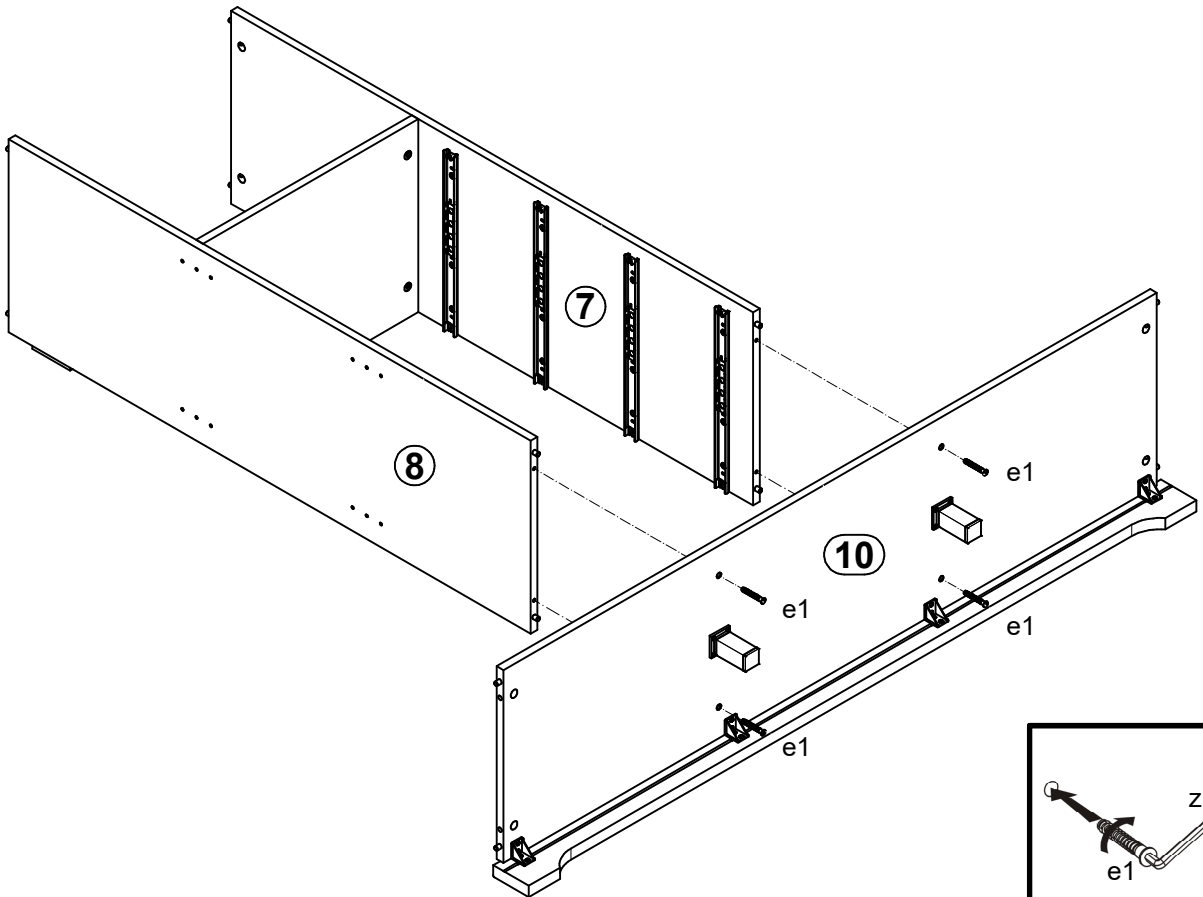
# 3



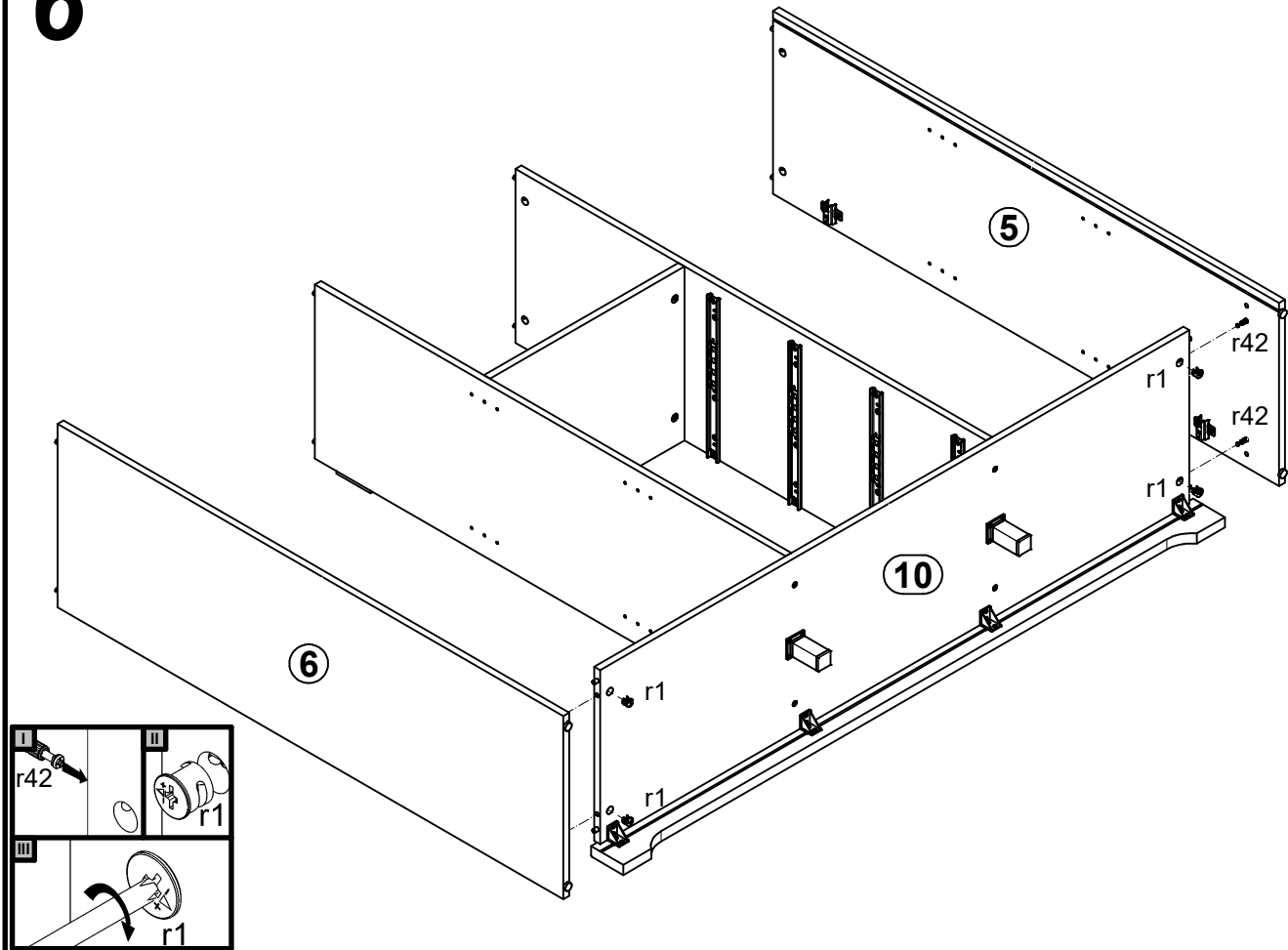
**4** 



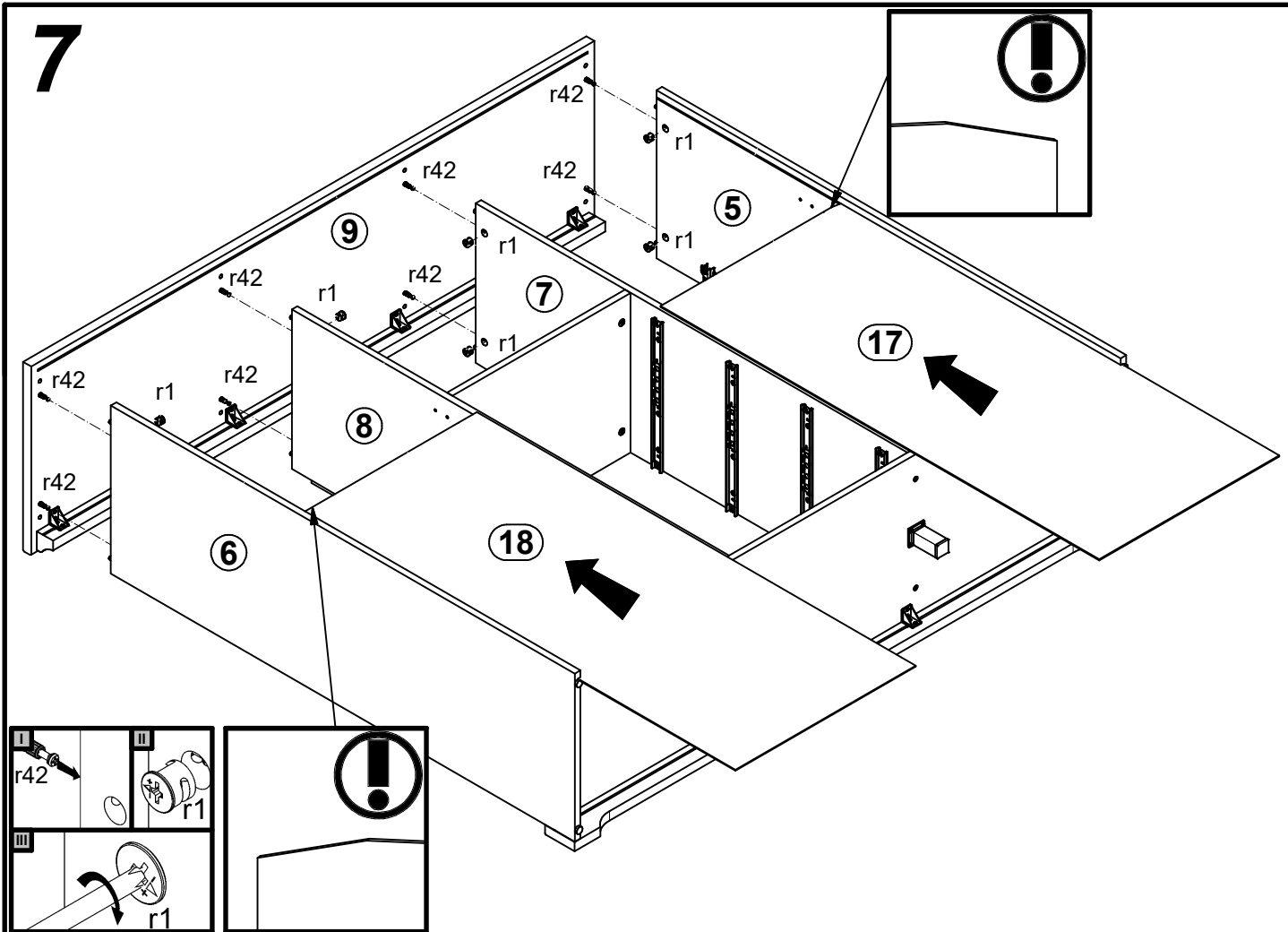
**5**



# 6

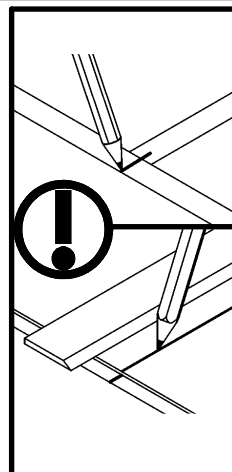
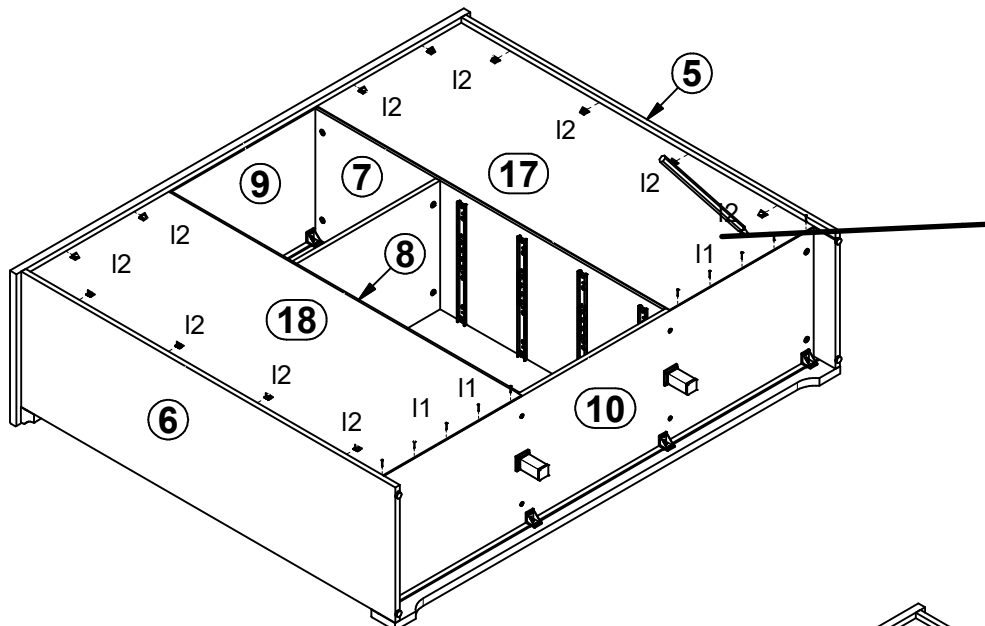


# 7

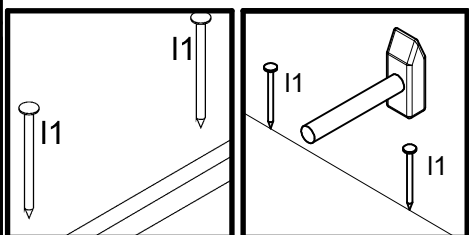
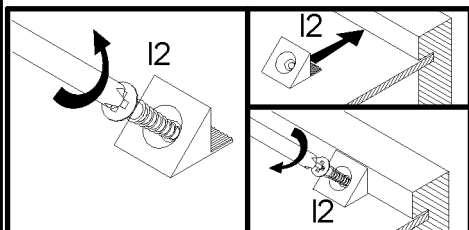
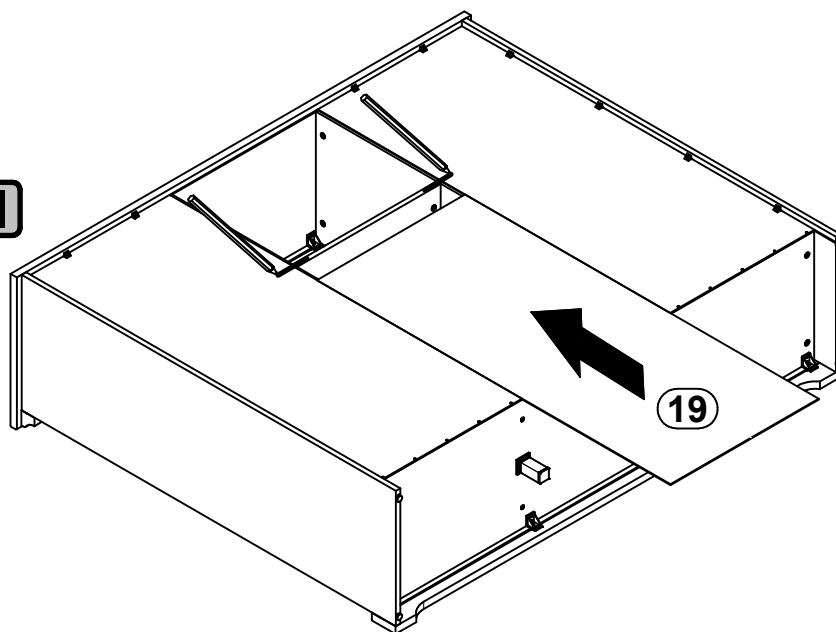


# 8

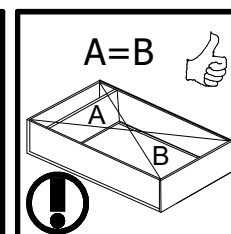
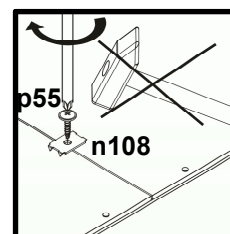
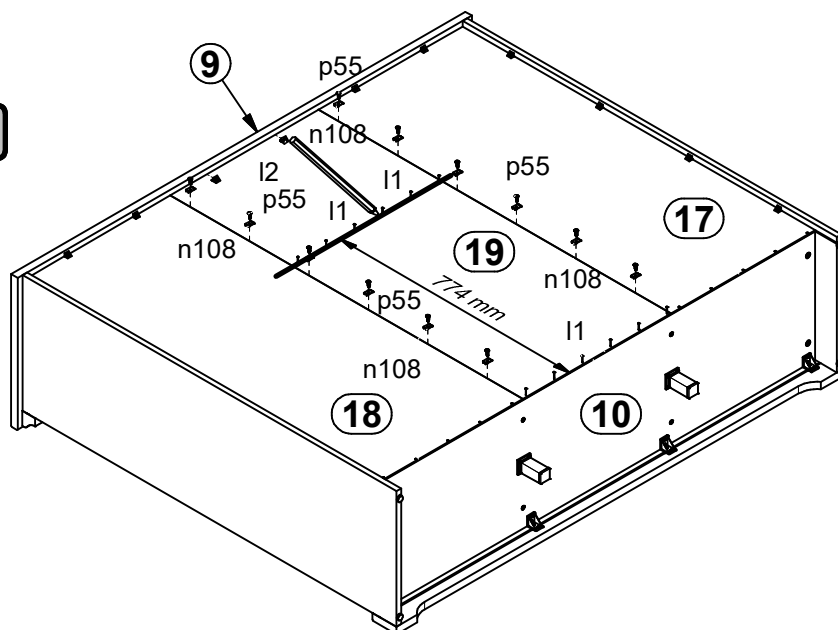
## I



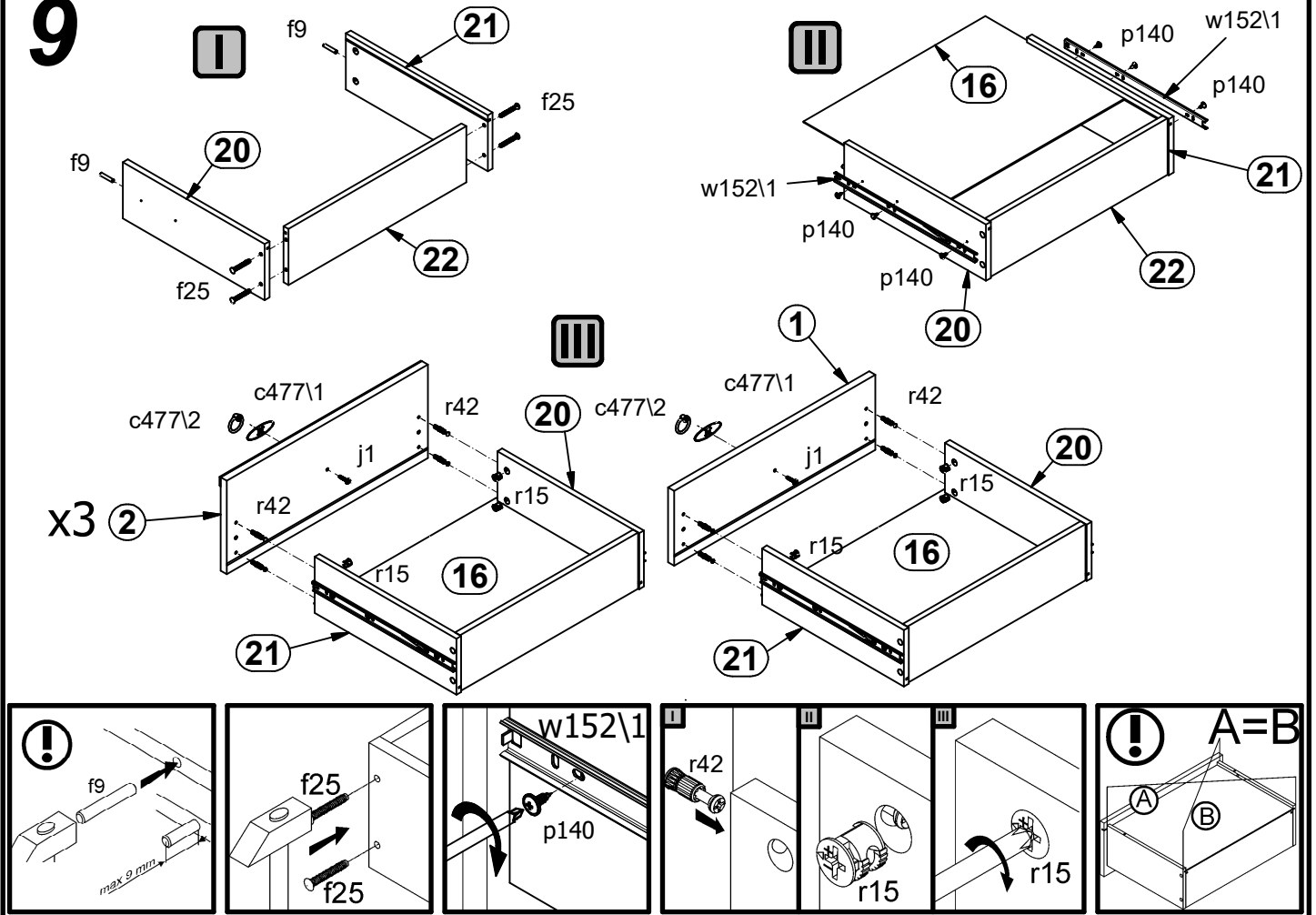
## II



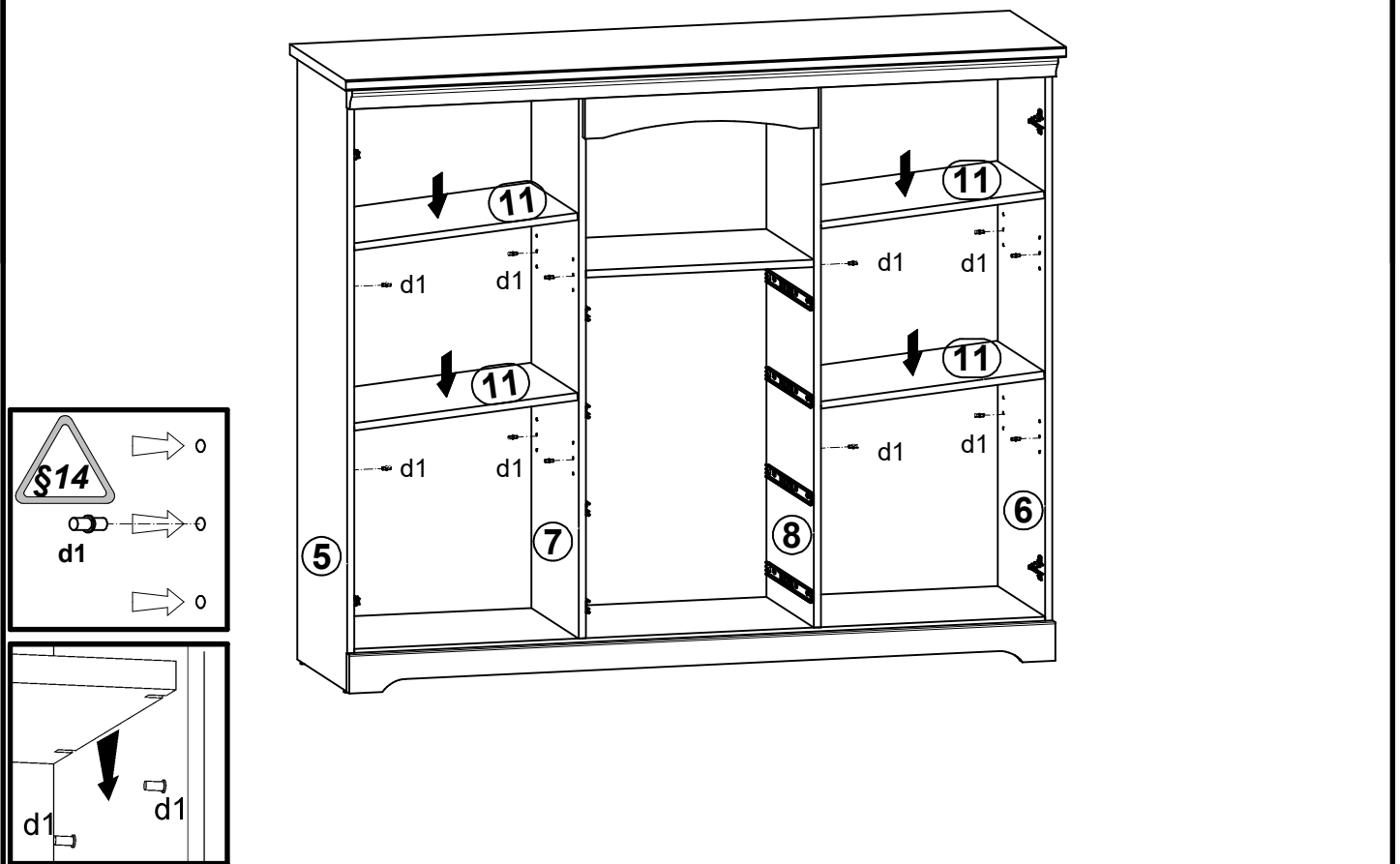
## III



# 9



# 10



# 11

