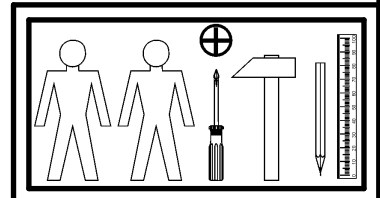
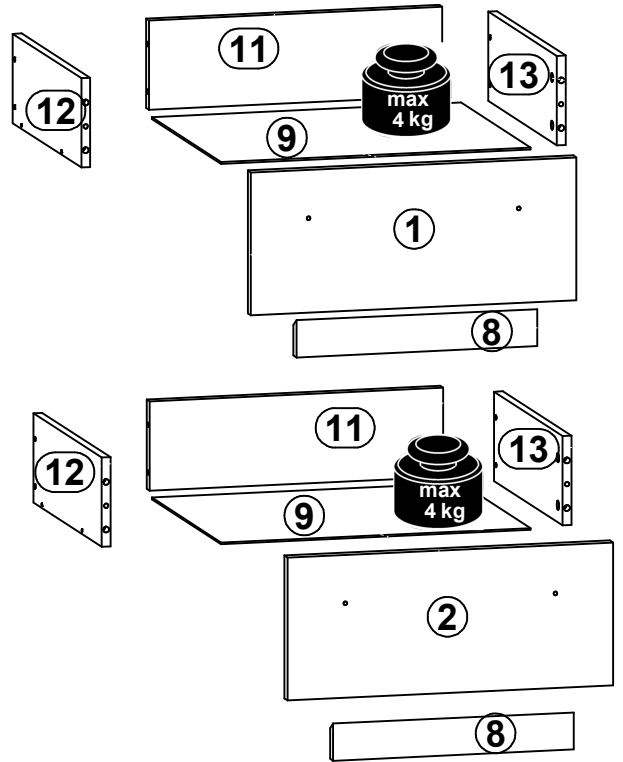
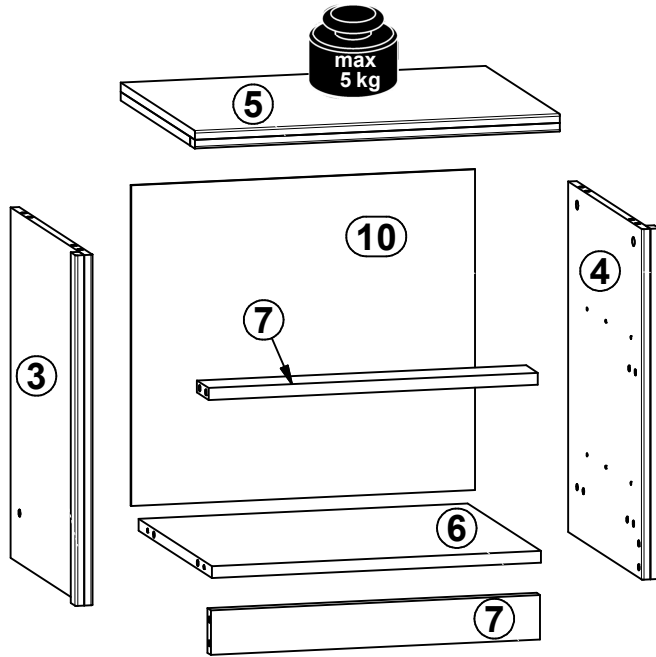
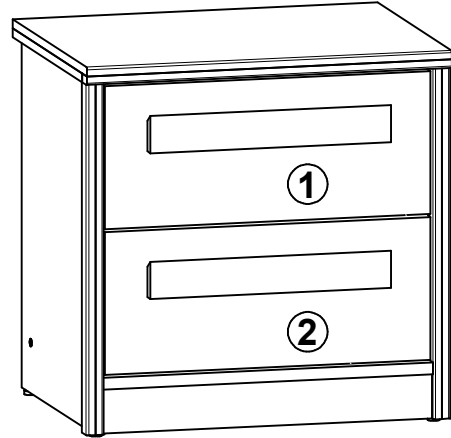
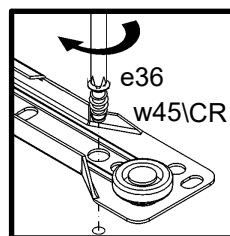
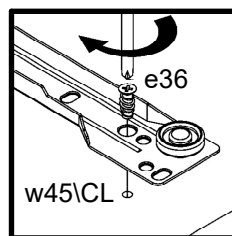
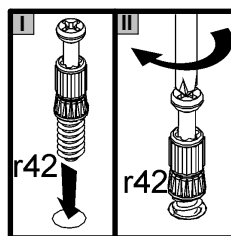
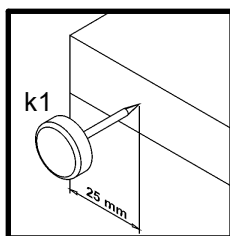
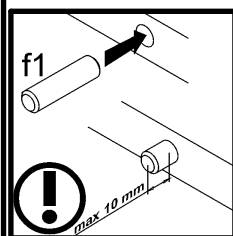
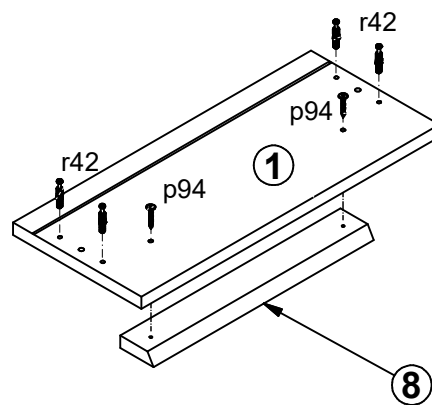
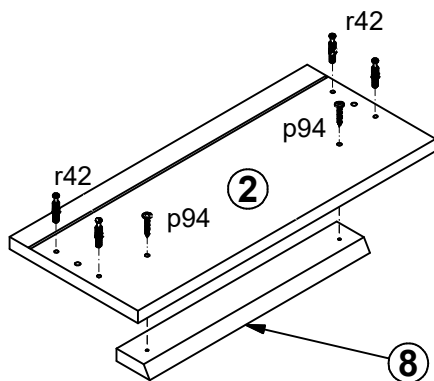
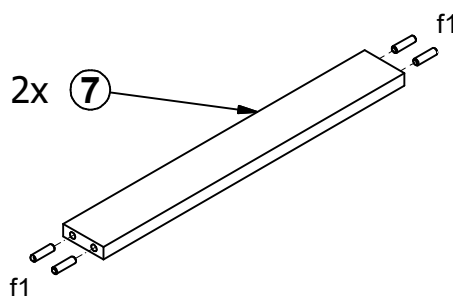
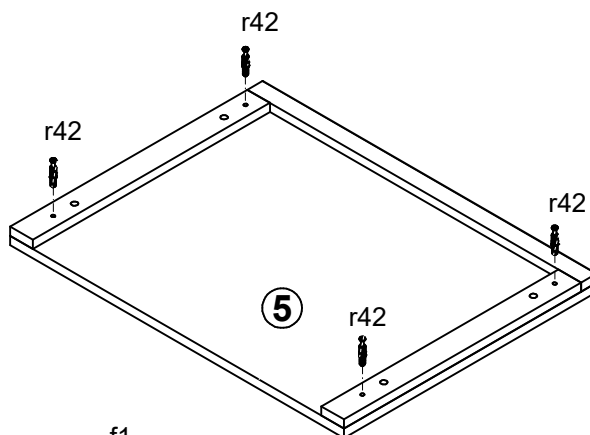
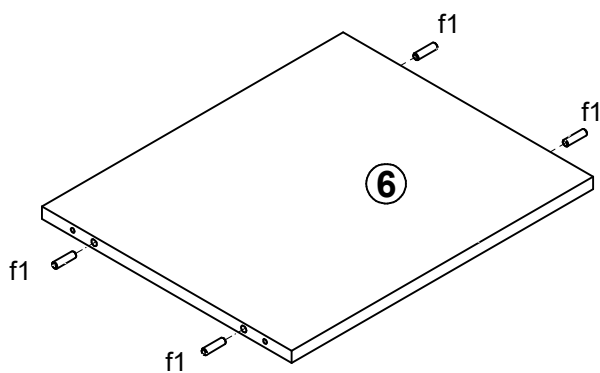
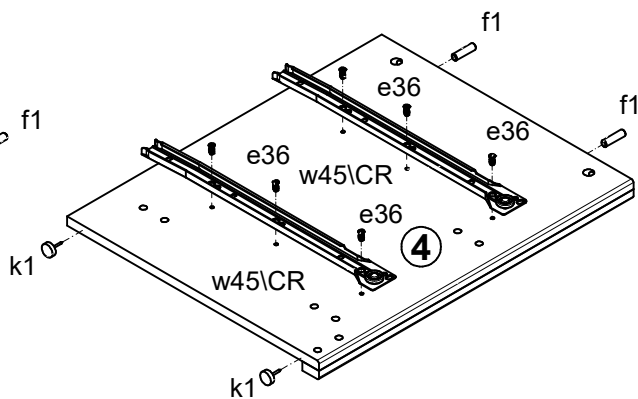
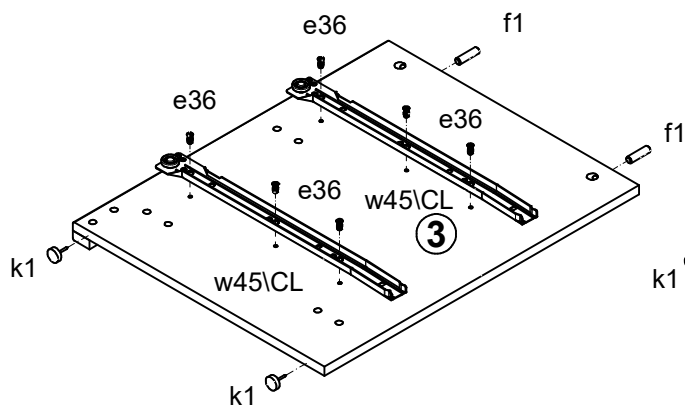


A	B	C		D
1	S412-0012	446	192,	1/1
2	S412-0014	446	192,	1/1
3	S412-1019	471	377	1/1
4	S412-1020	471	377	1/1
5	S412-2015	500	380	1/1
6	S412-3019	451	374,	1/1
7	S412-4005	451	60	1/1
8	S412-5702	330,	50,	1/1
9	S412-9006	424,	355,	1/1
10	S412-9007	471	431	1/1
11	ZS3-5502	402	120	1/1
12	ZS4-501	350	120	1/1
13	ZS4-502	350	120	1/1

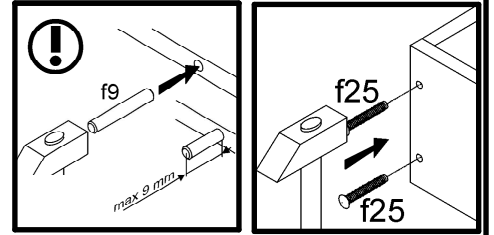
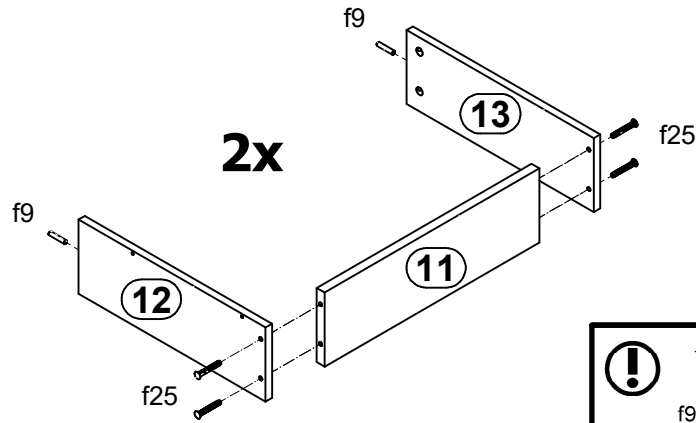


4x Ø7x50 mm e1	8x Ø5x9 mm e19	12x Ø6x11 mm e36	16x Ø8x30 mm f1	8x Ø6.5x40 mm f25	4x Ø6x30 mm f9	4x k1	20x 1.4x20 mm l1	1x n26
7x Ø3.5x16 mm p38	4x Ø4x28 mm p94	12x Ø12x10.5 mm #12 r15	12x r42	2x 350 mm w45\CL	2x 350 mm w45\CR	2x 350 mm w45\DL	2x 350 mm w45\DR	4x s1
1x 4 mm z1								

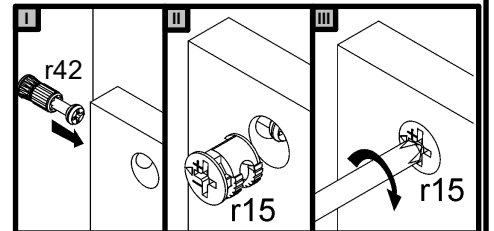
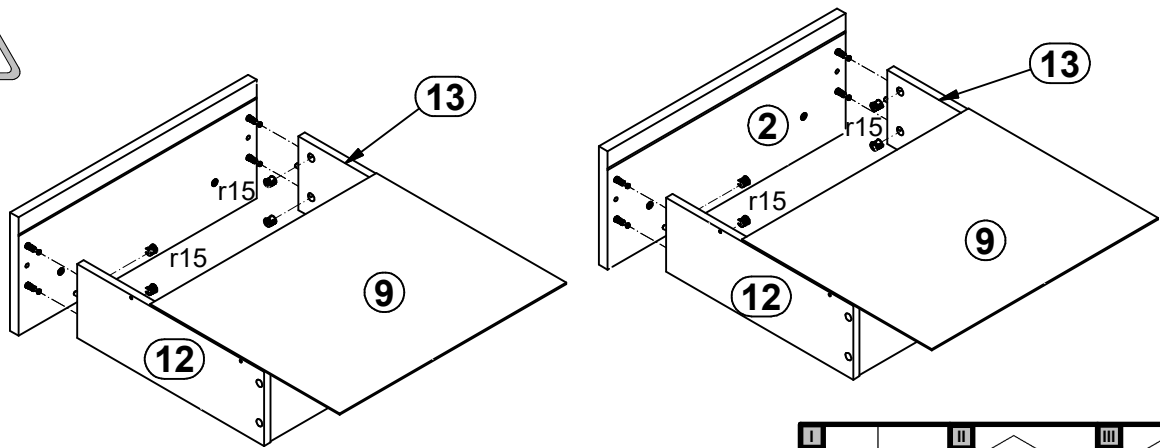
1 §2



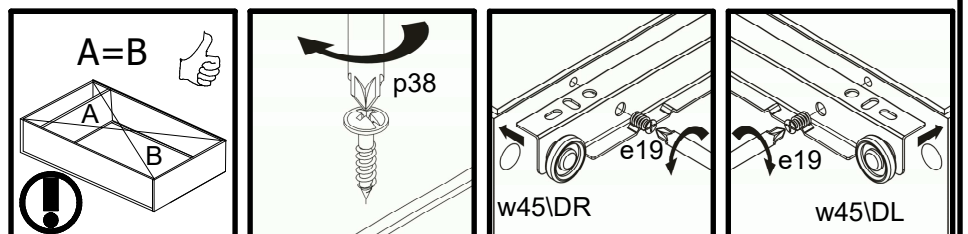
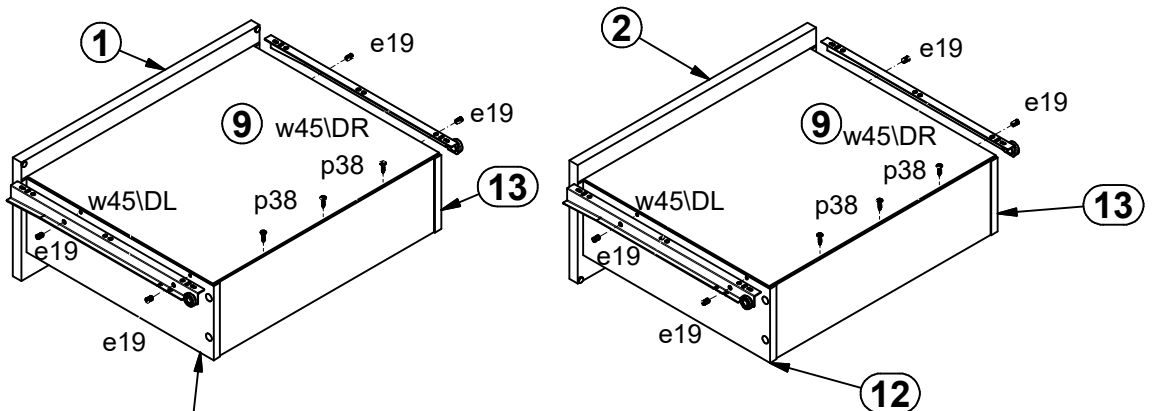
# 2

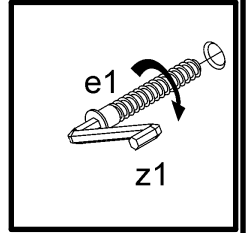
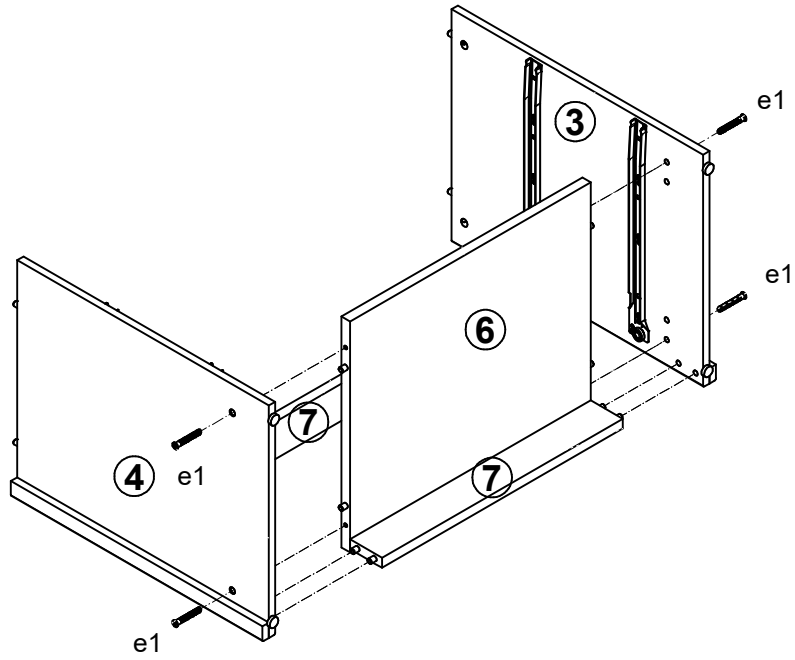
# 3

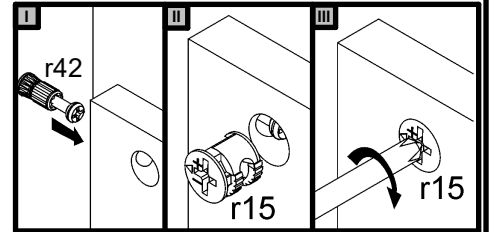
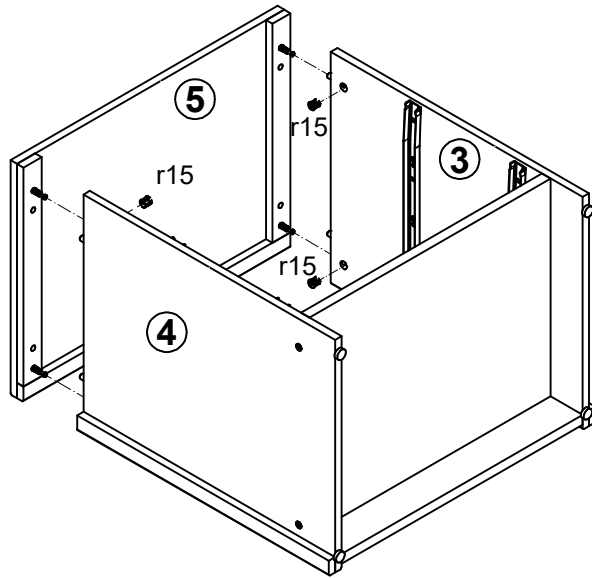
# 4

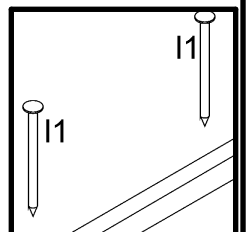
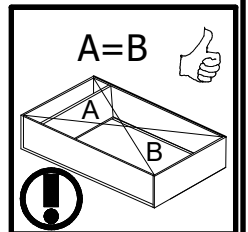
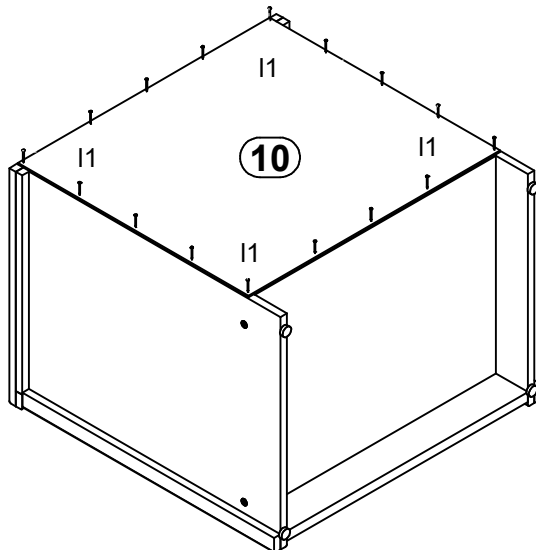
# 5



# 6



# 7



8

