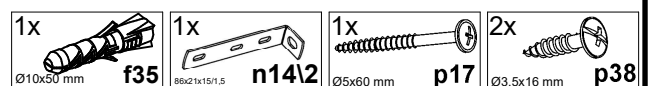
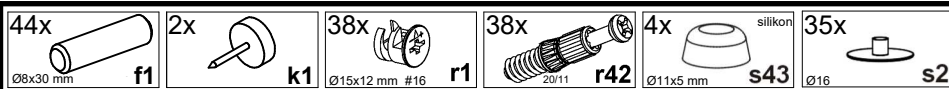
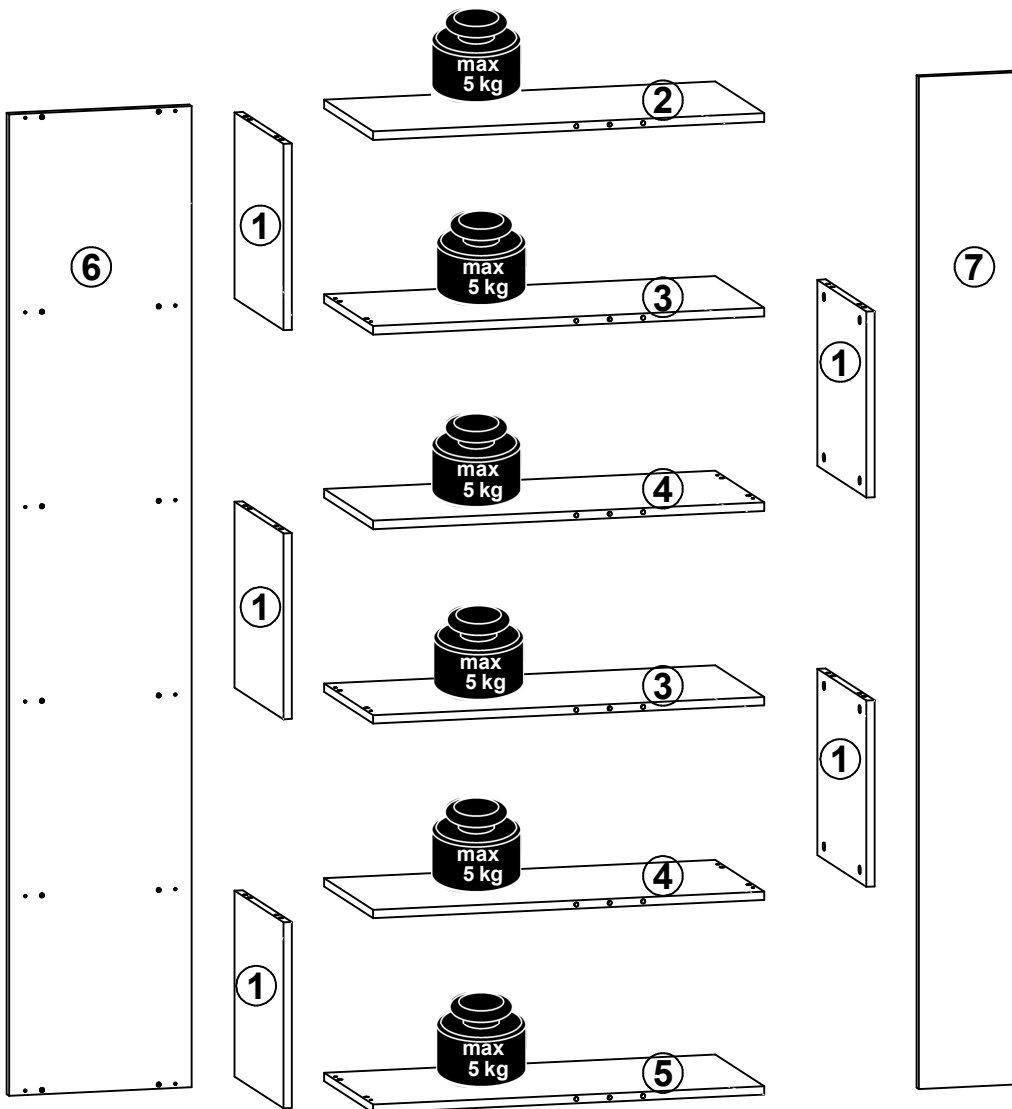
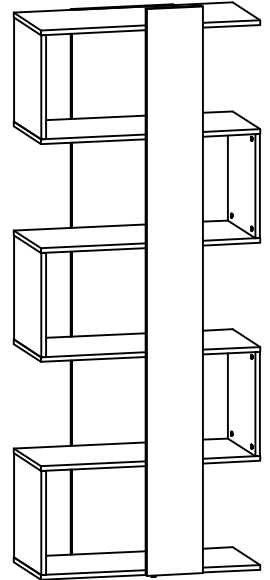
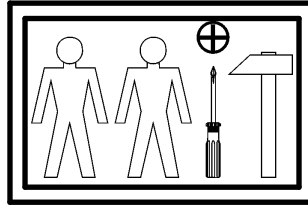


A

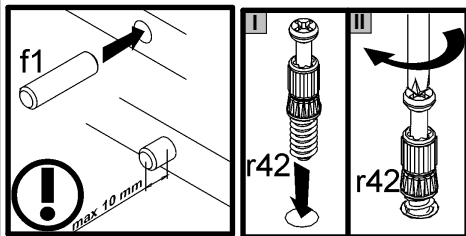
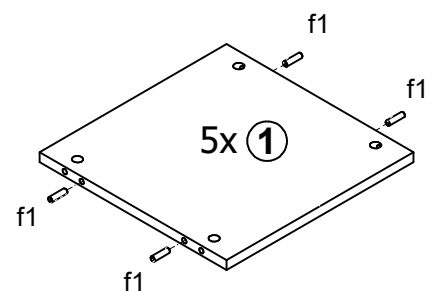
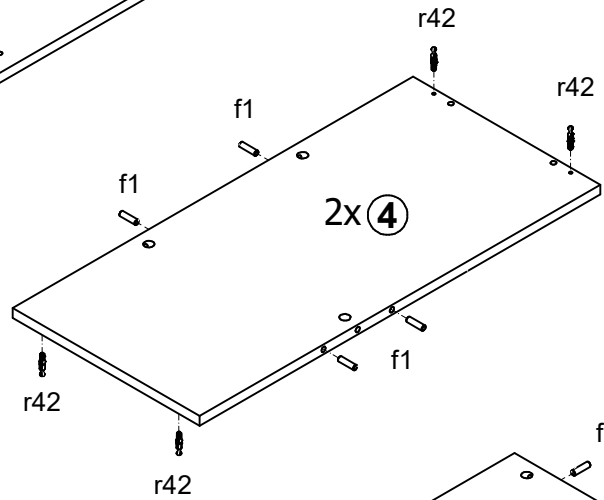
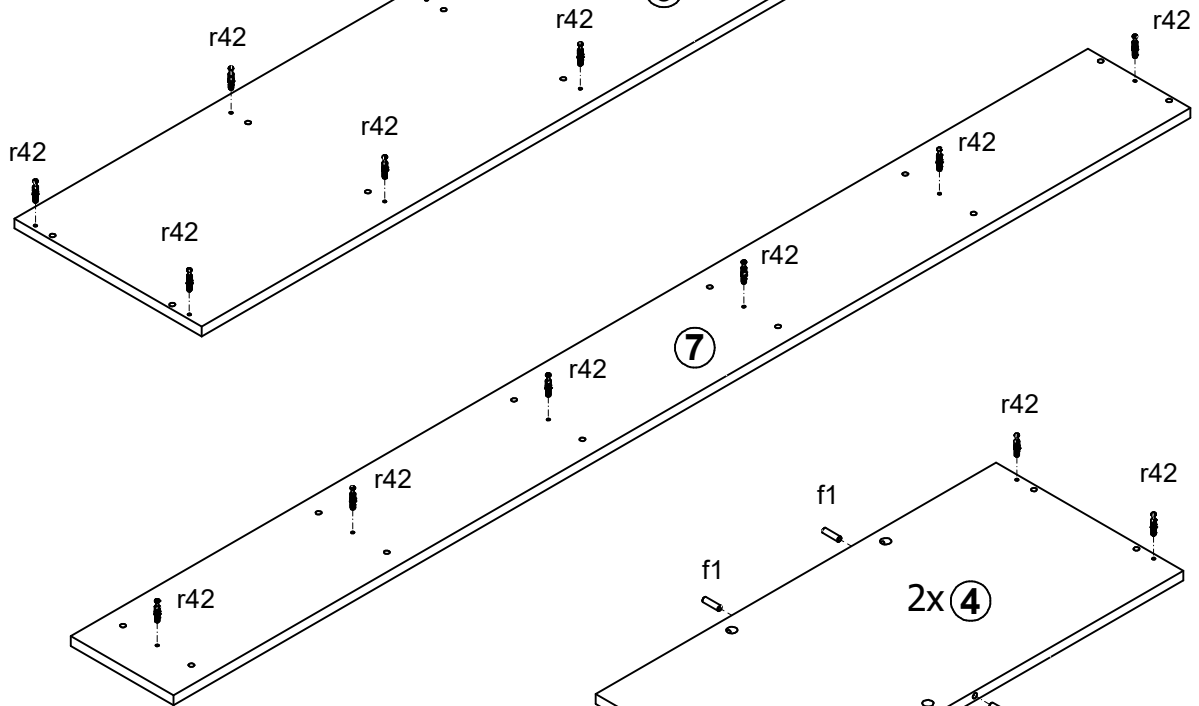
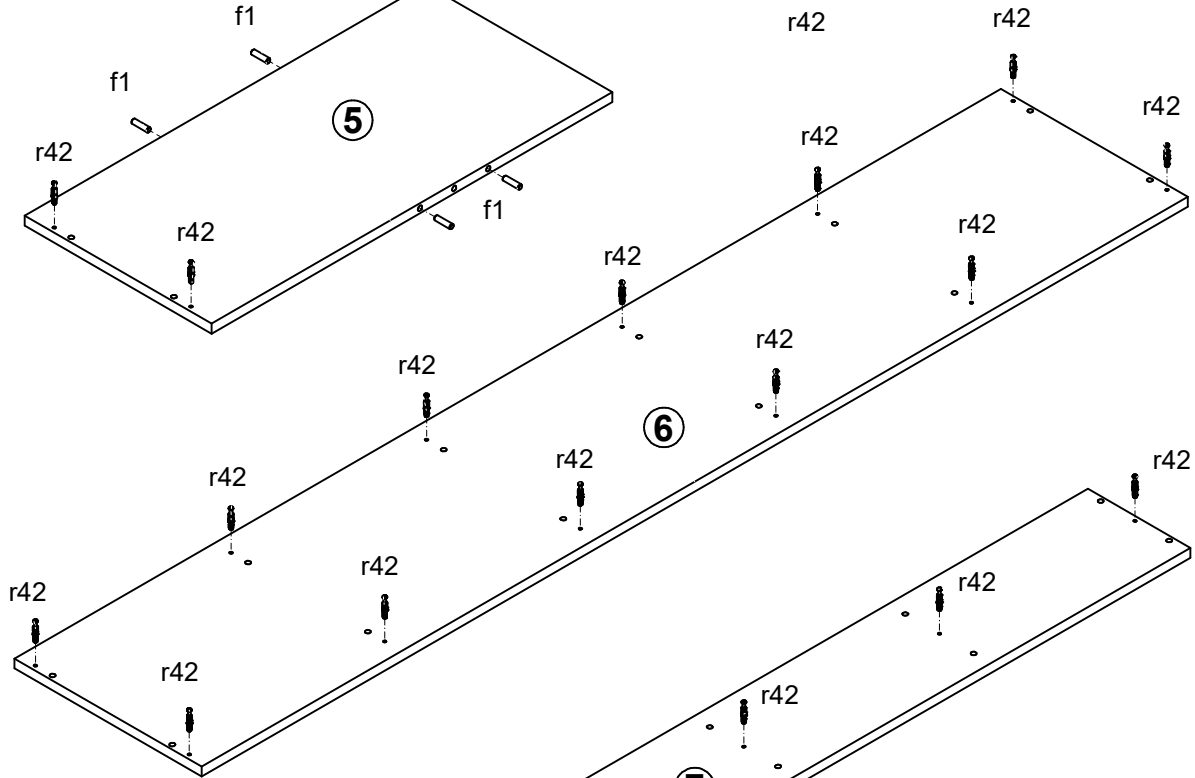
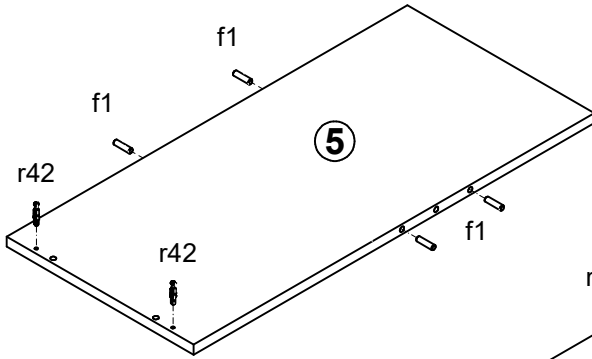
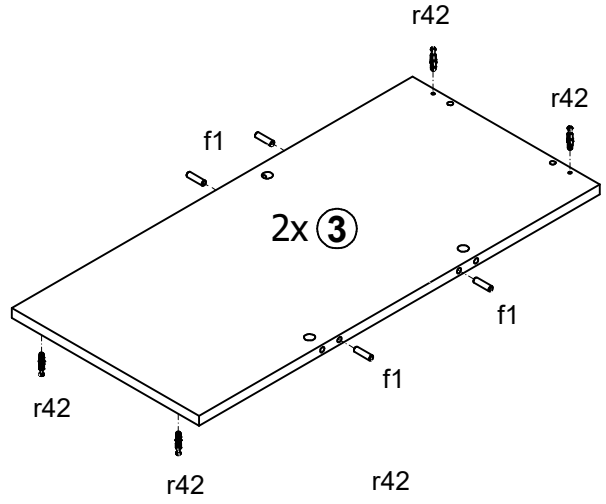
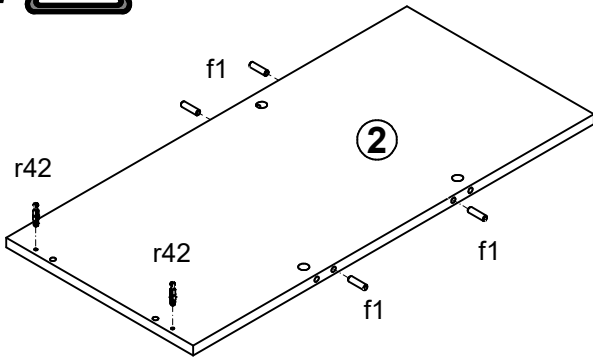
NAMEK

S412-REG/20/8/L

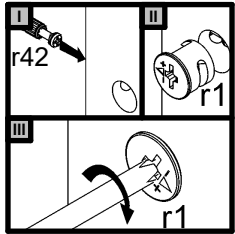
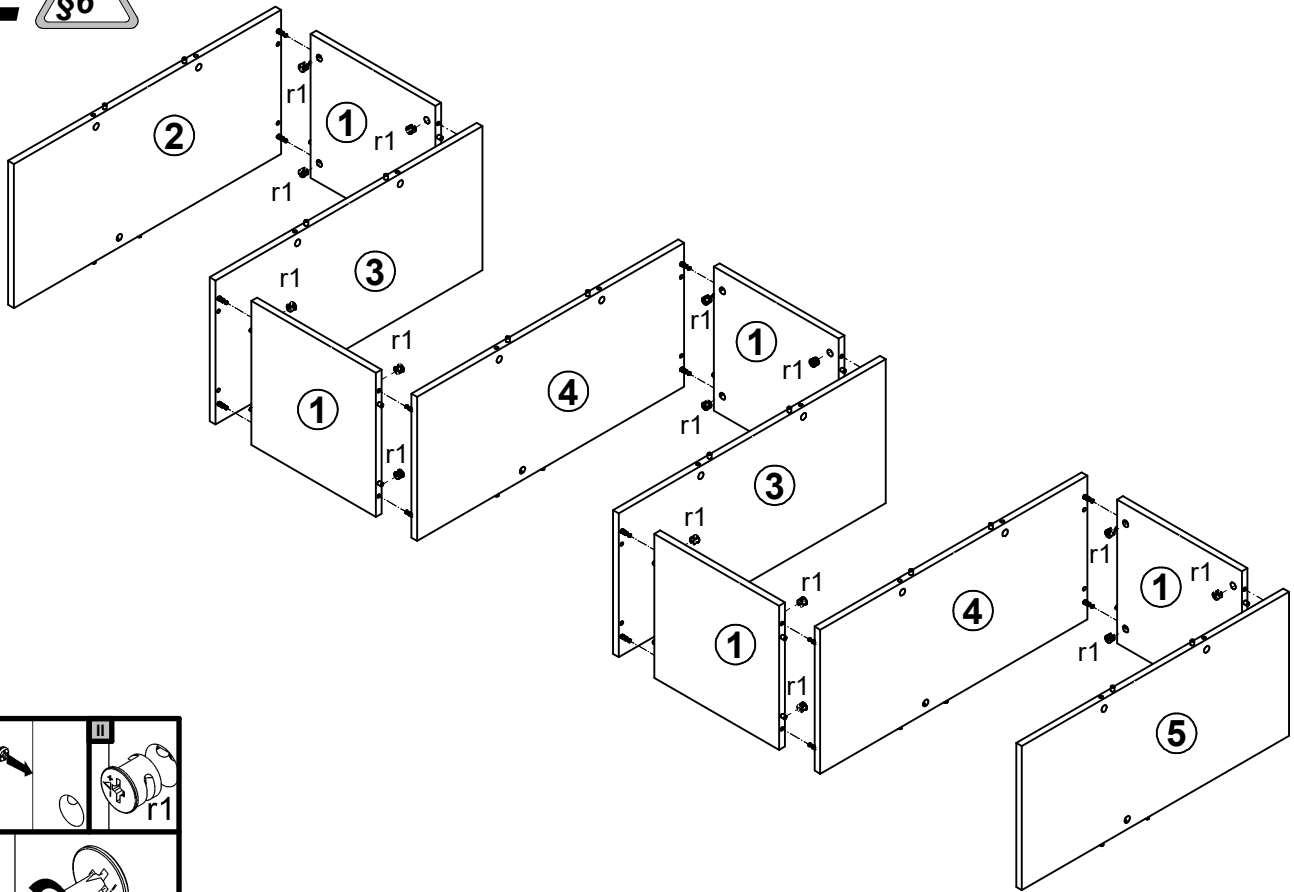
A	B	C	D
1	S412-1016	350	350 1/2
2	S412-2007	750	350 2/2
3	S412-2008	750	350 2/2
4	S412-2009	750	350 2/2
5	S412-2010	750	350 2/2
6	S412-4006	1846	350 1/2
7	S412-4007	1904	192 1/2



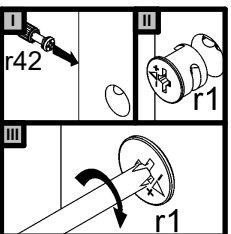
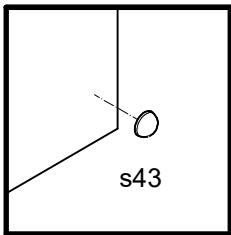
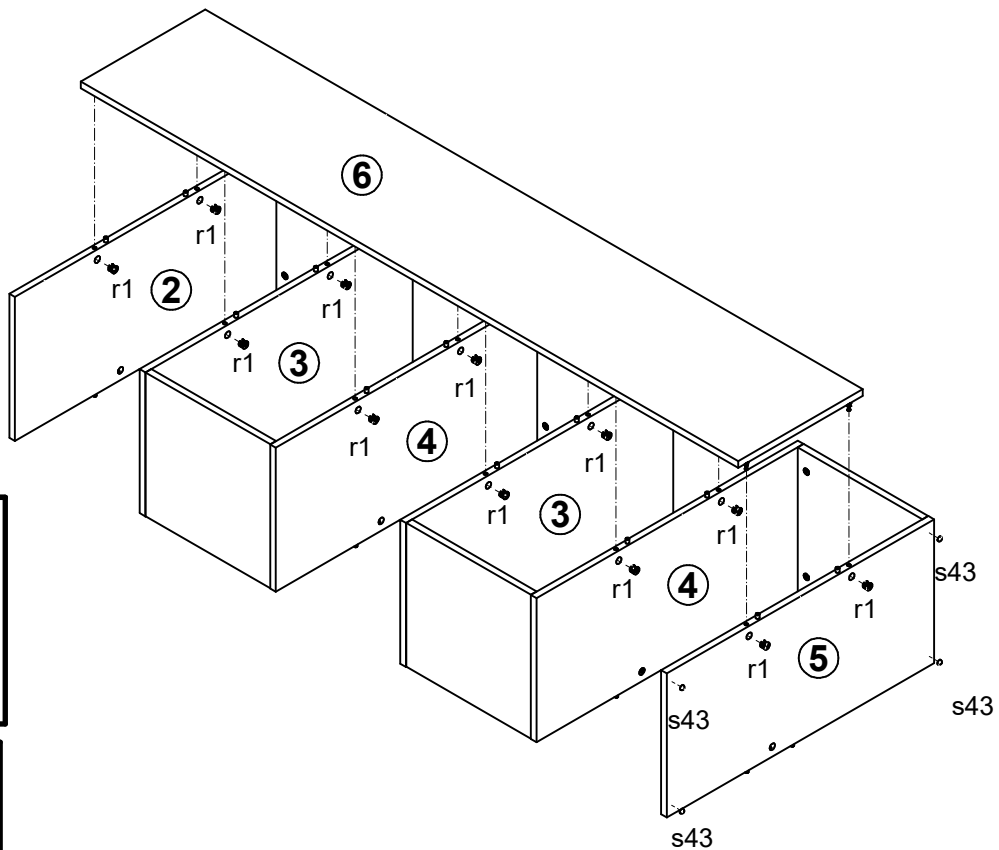
1 



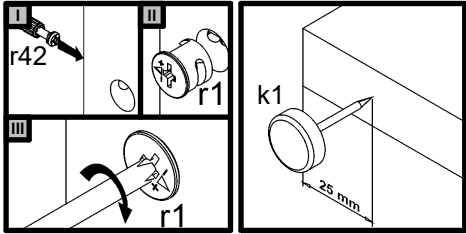
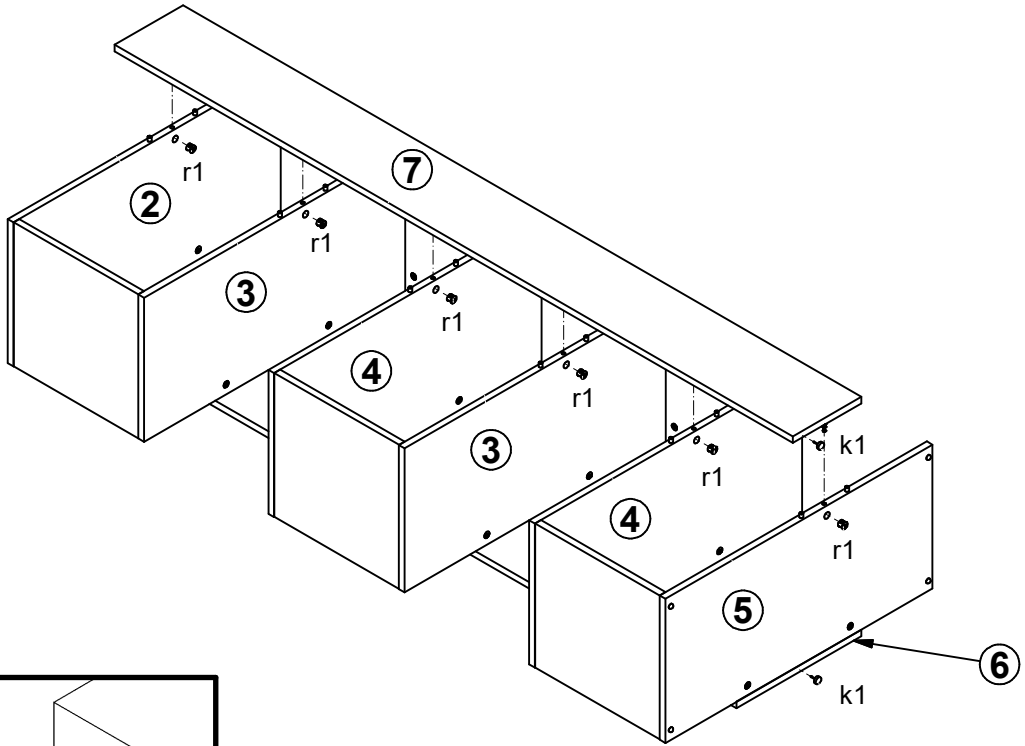
2



3



4



5

