

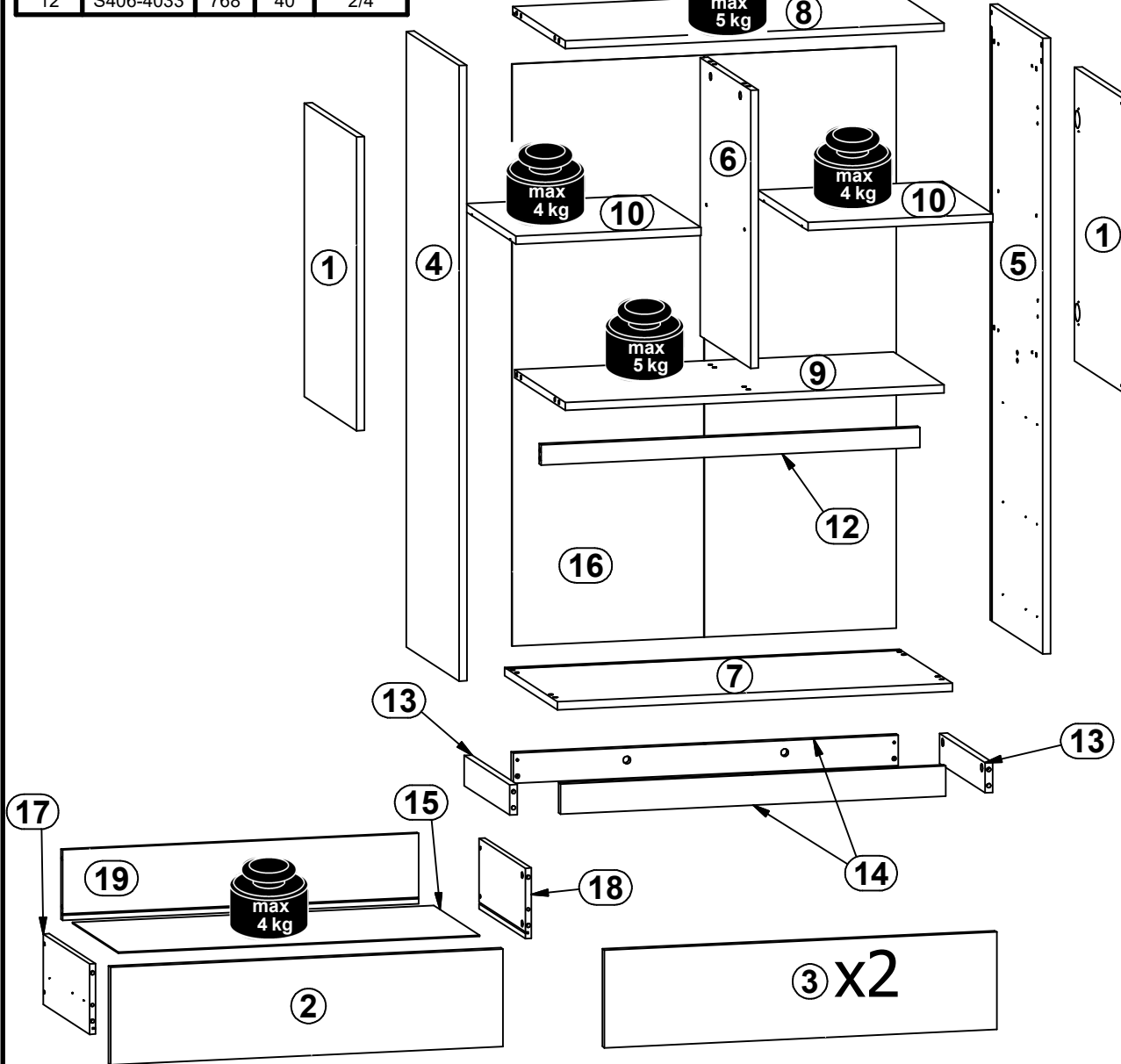
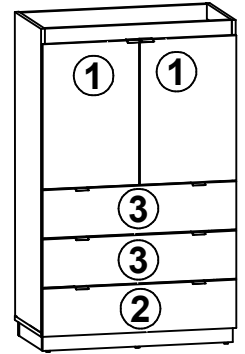
**A**

# PRINCETON

**S406-KOM2D3S**

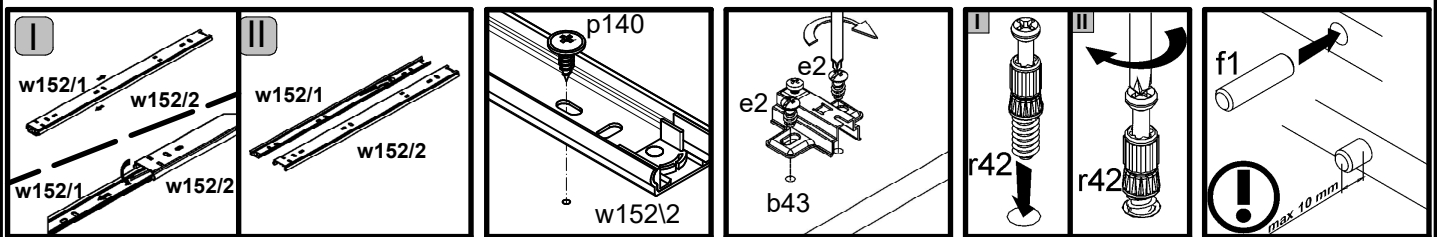
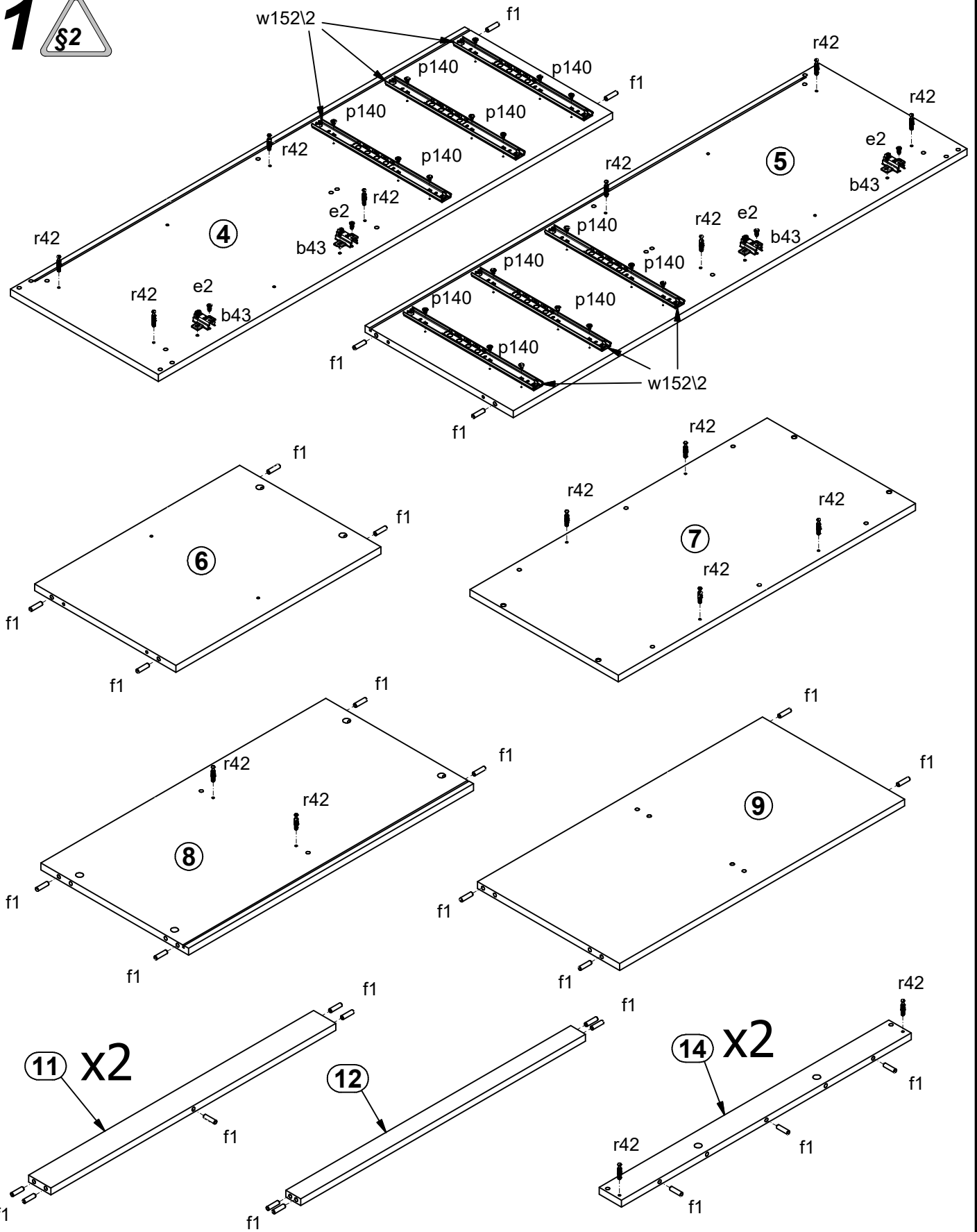
A	B	C	D	
1	S406-0008	396	584	3/4
2	S406-0009	796	194	3/4
3	S406-0010	796	194	3/4
4	S406-1019	1224	399	1/4
5	S406-1020	1224	399	1/4
6	S406-1021	553	381	2/4
7	S406-2010	801	400	1/4
8	S406-3018	768	398	2/4
9	S406-3019	768	383	2/4
10	S406-3020	375	380	2/4
11	S406-4032	768	60	2/4
12	S406-4033	768	40	2/4

A	B	C	D	
13	S406-4034	343	60	2/4
14	S406-4035	781	60	2/4
15	S406-9008	733	347	2/4
16	S406-9301	1157	779	1/4
17	ZK2-521	350	140	2/4
18	ZK2-522	350	140	2/4
19	ZS4-5538	722	140	2/4

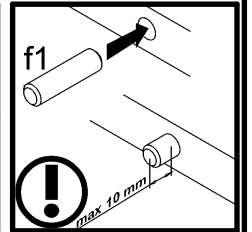
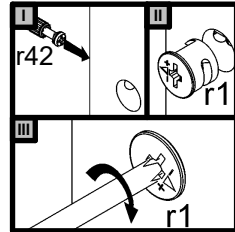
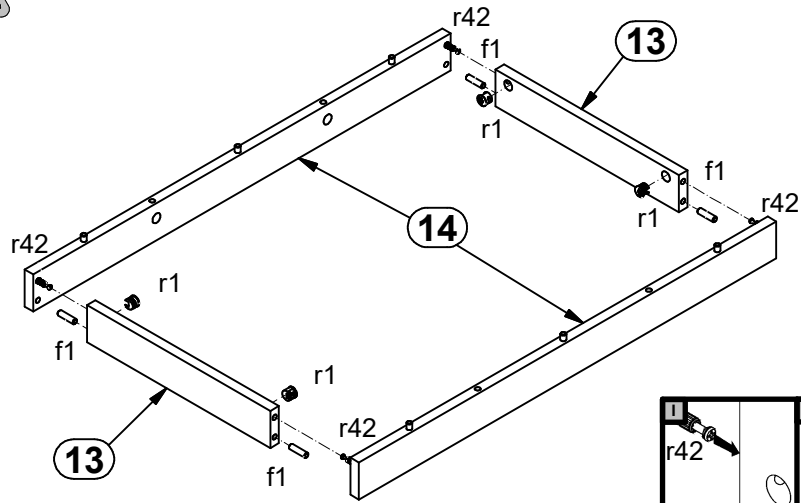


2x  a133	4x  a158	4x  b43	8x  c478	8x  d1	6x  e1	8x  e2	40x  f1	6x  f9
12x  f25	6x  k1	10x  l1	10x  l2	8x  o21	6x  p25	8x  p51	16x  p133	36x  p140
18x  r1	12x  r15	30x  r42	3x  t19	6x  w152/1	6x  w152/2	6x  s2	1x  z1	
							1x  n2611	1x  p38

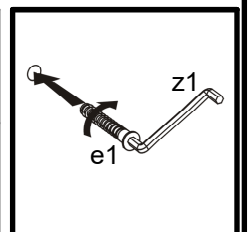
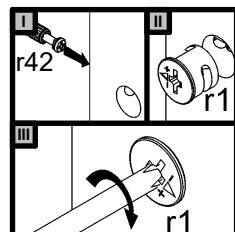
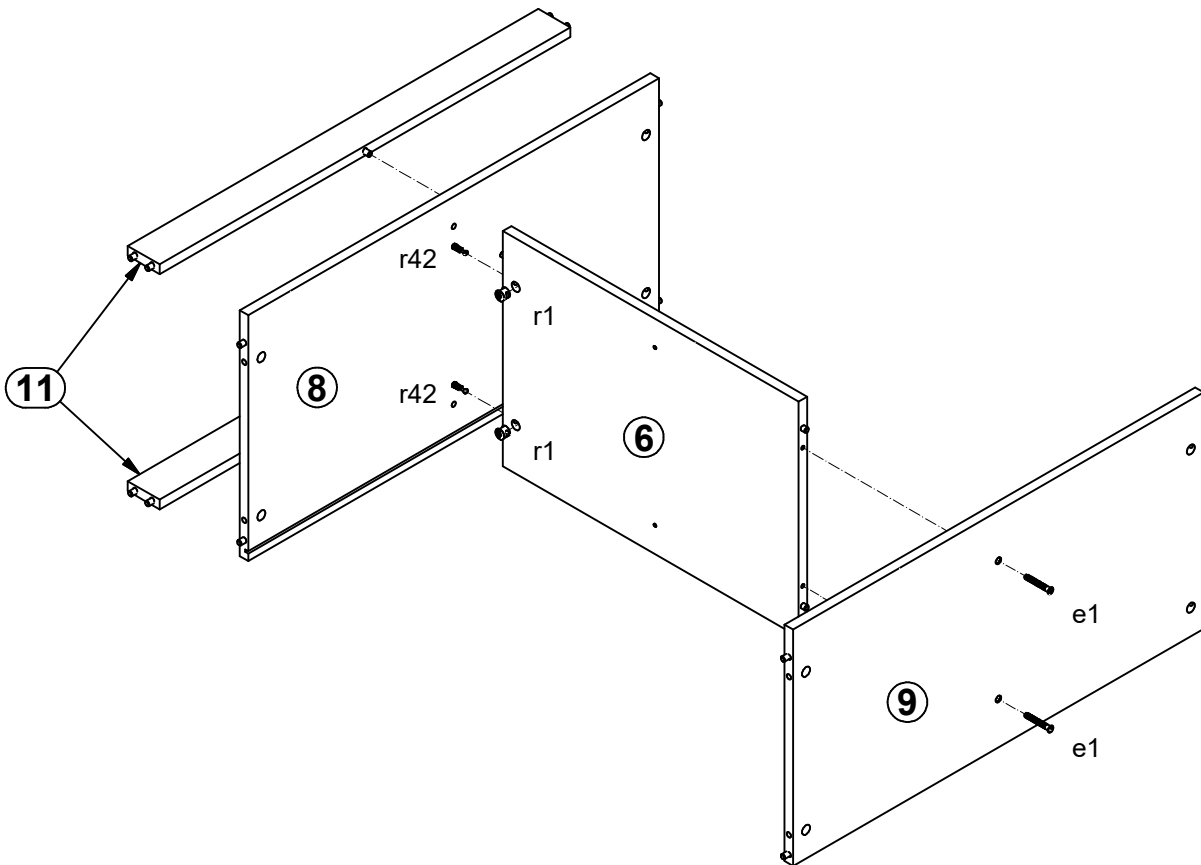
**1** §2



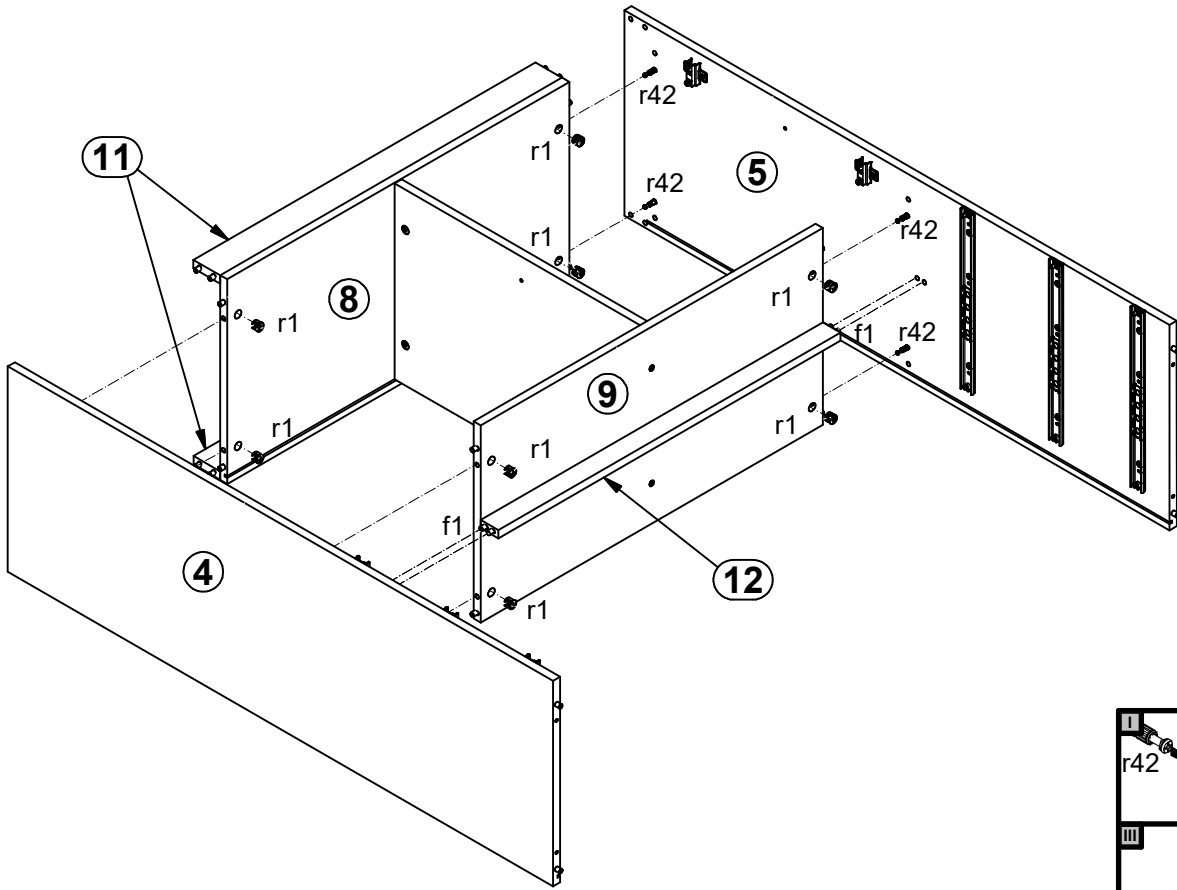
# 2



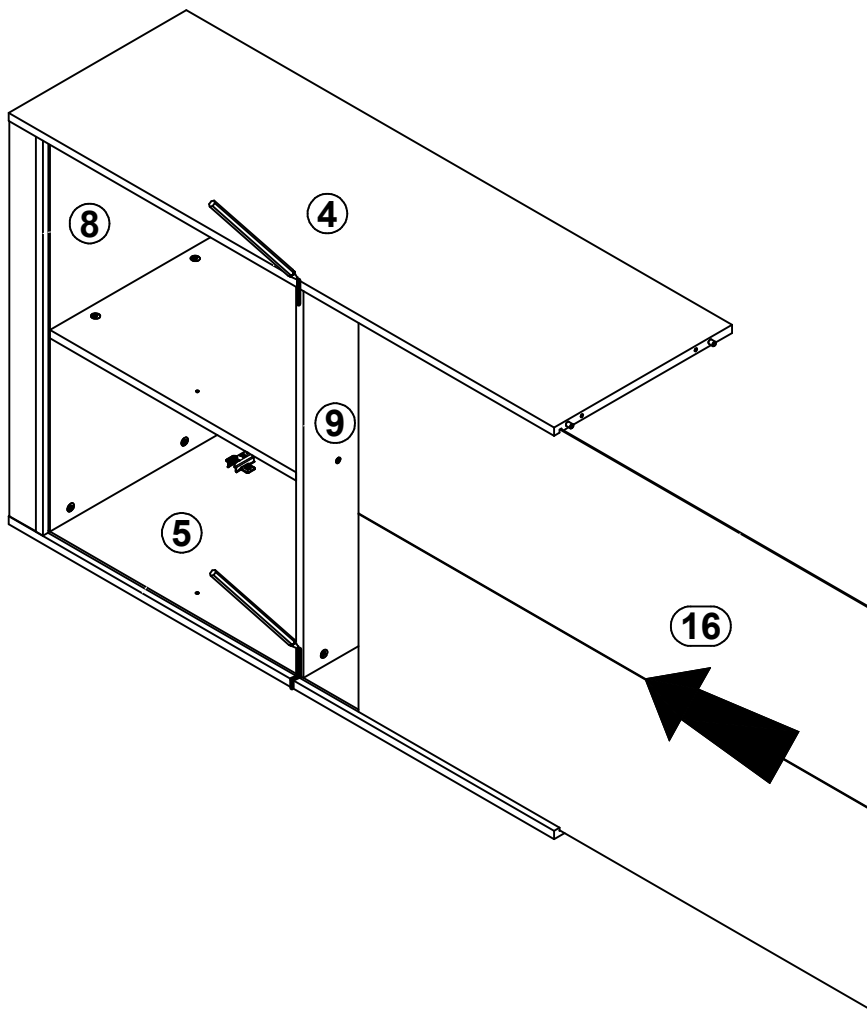
# 3



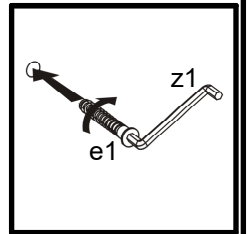
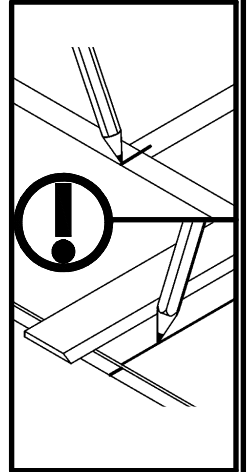
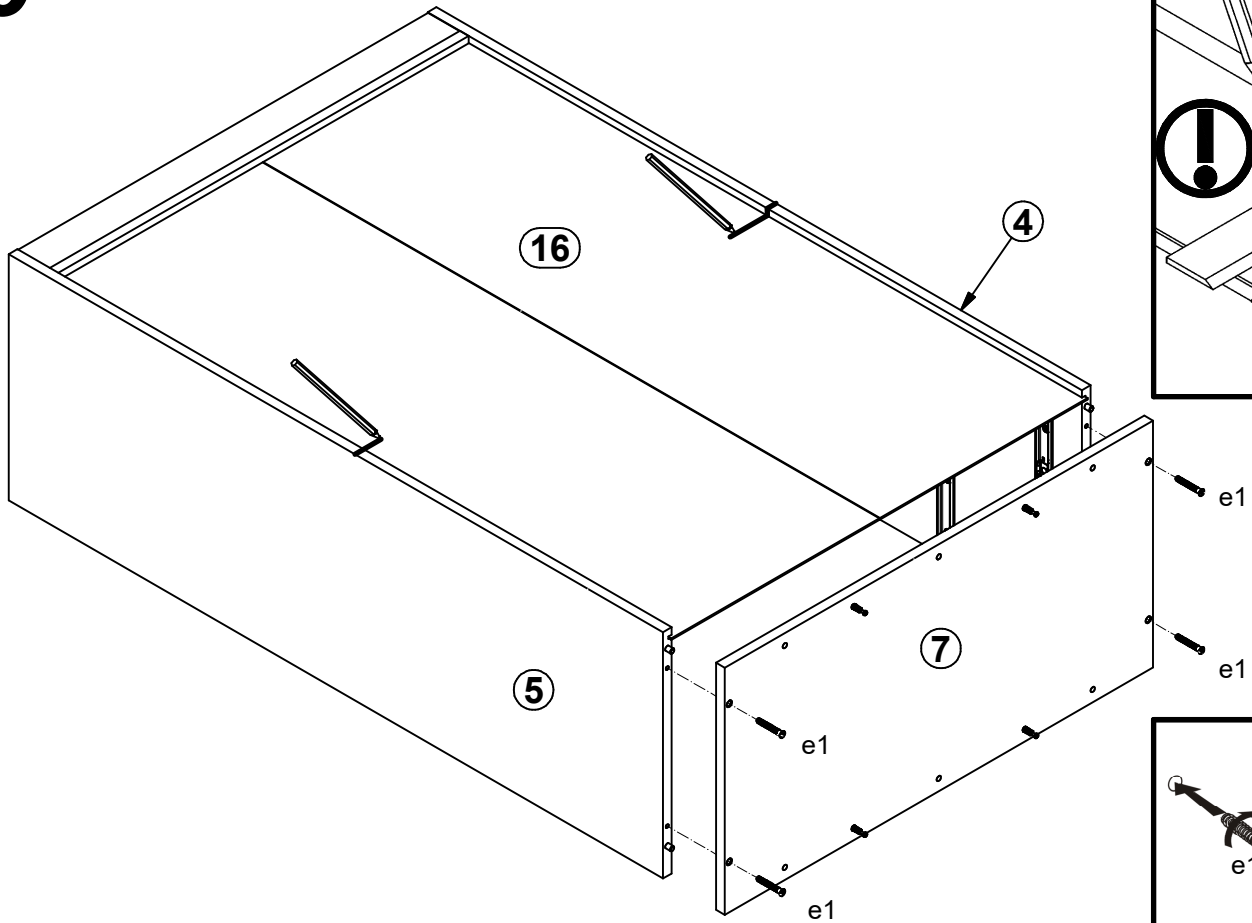
# 4



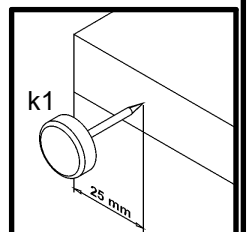
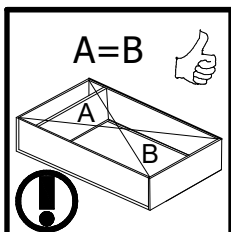
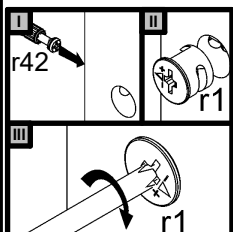
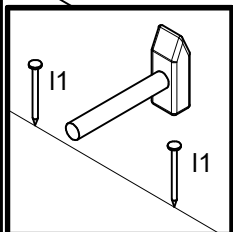
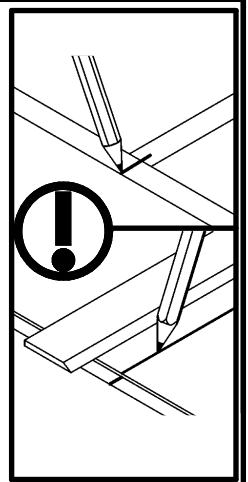
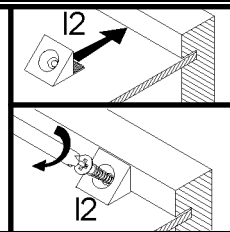
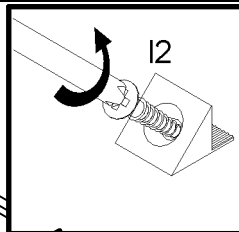
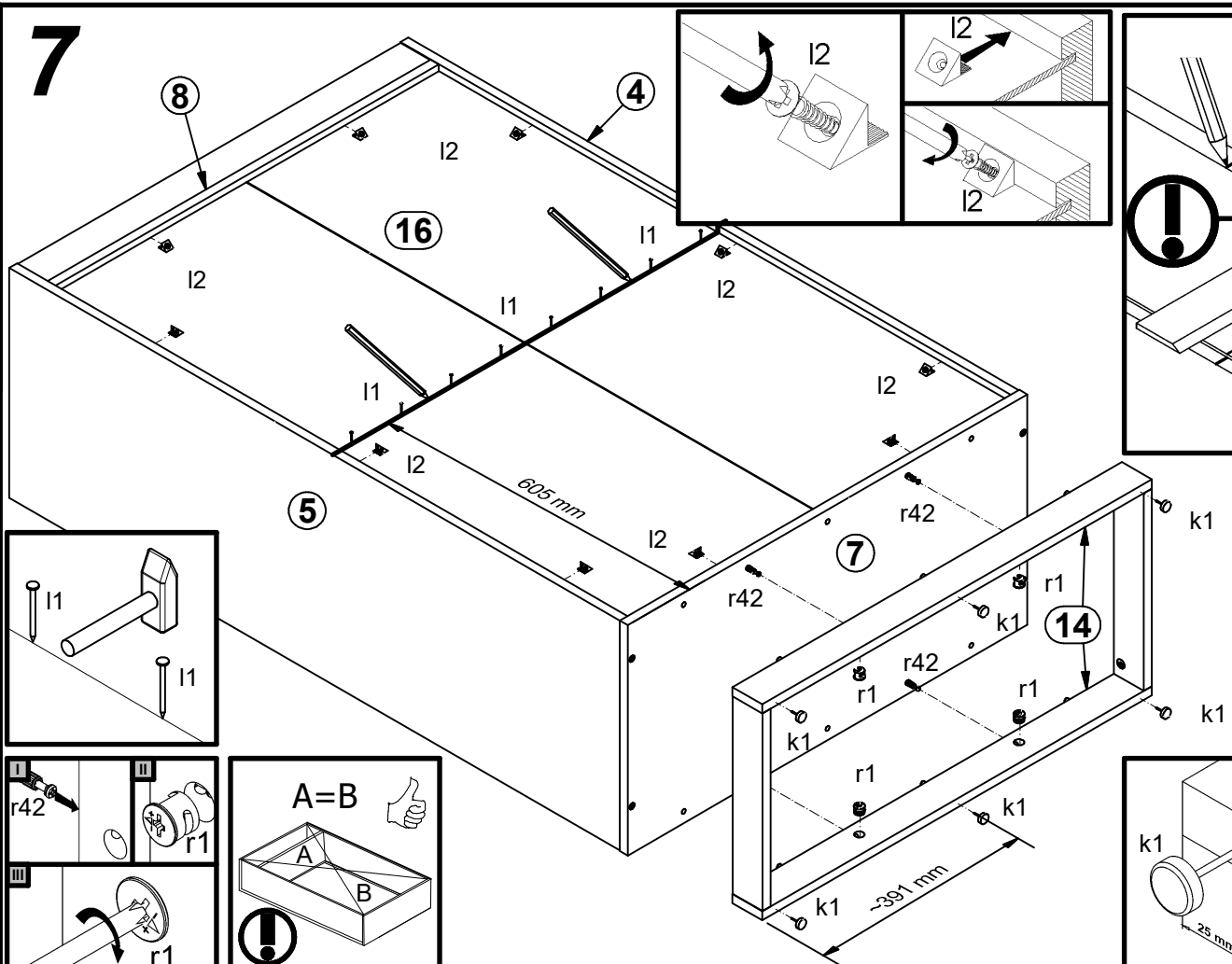
# 5

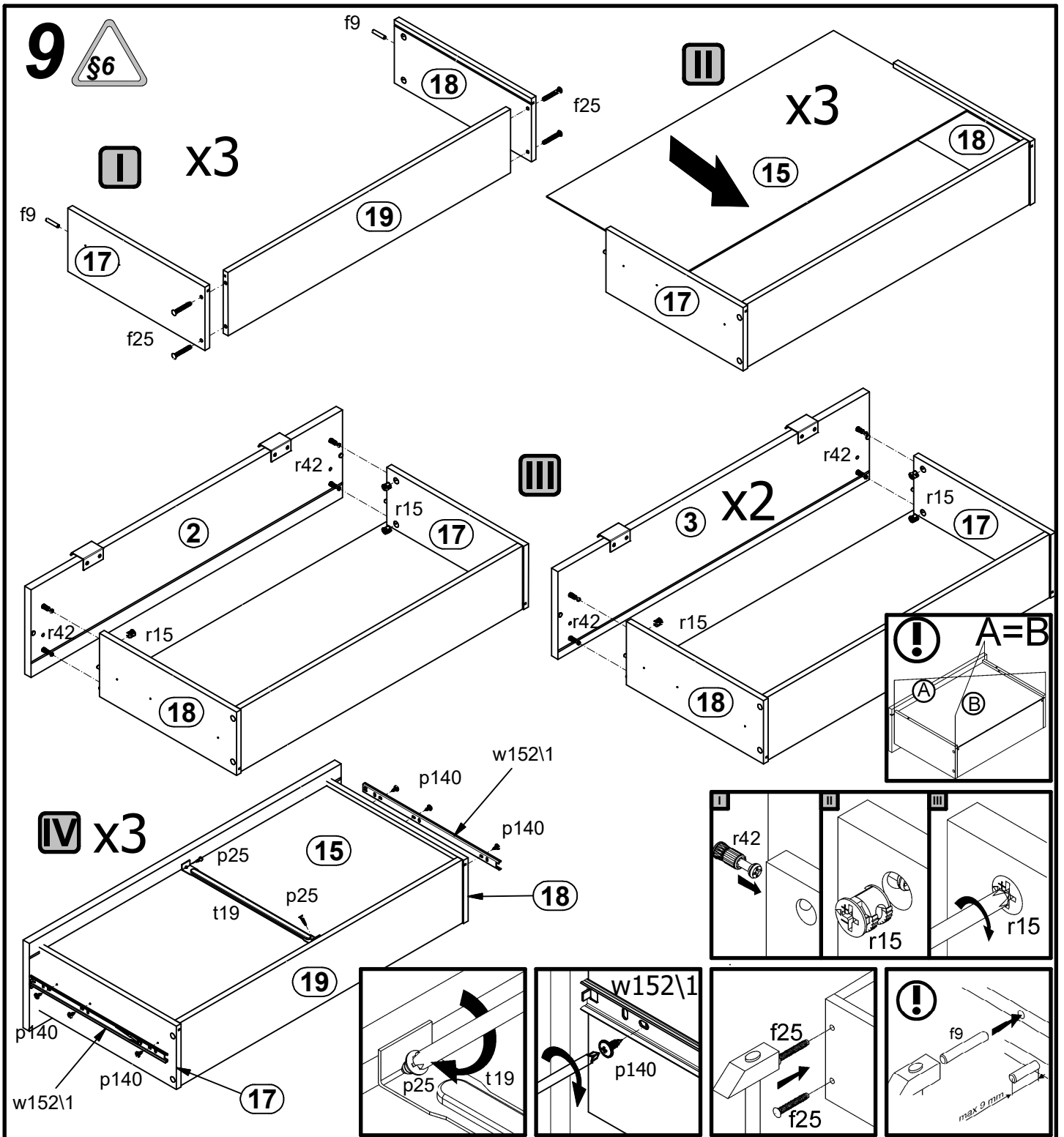
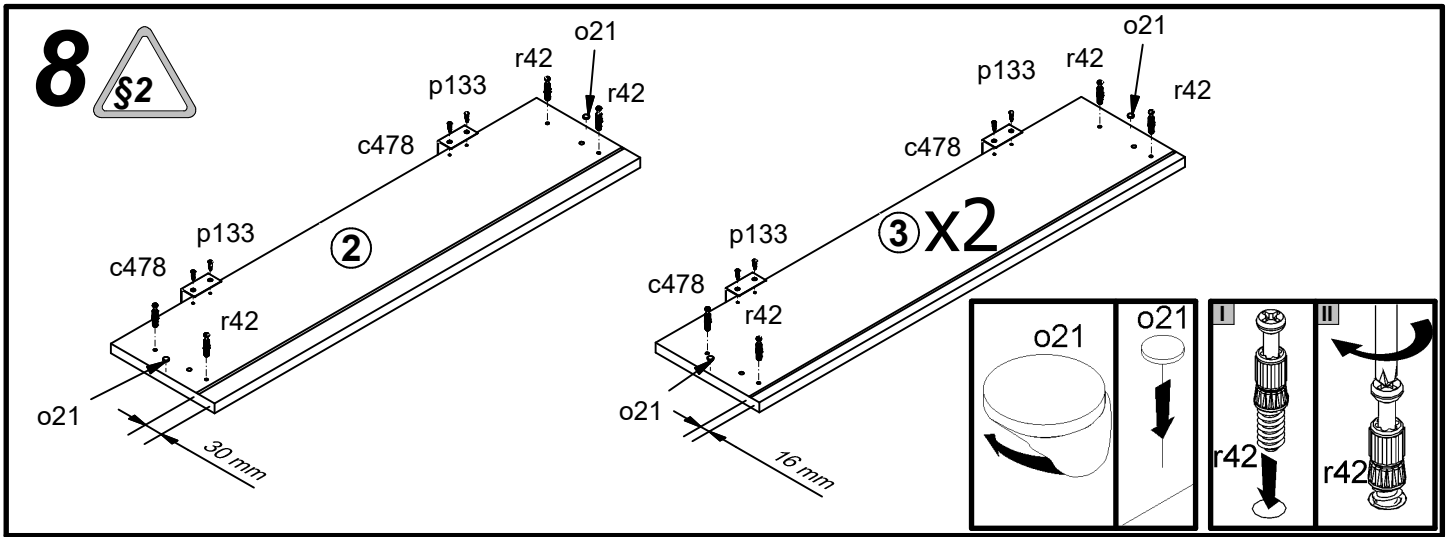


# 6

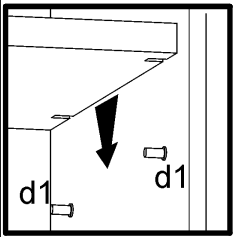
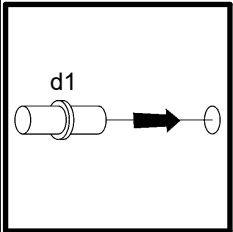
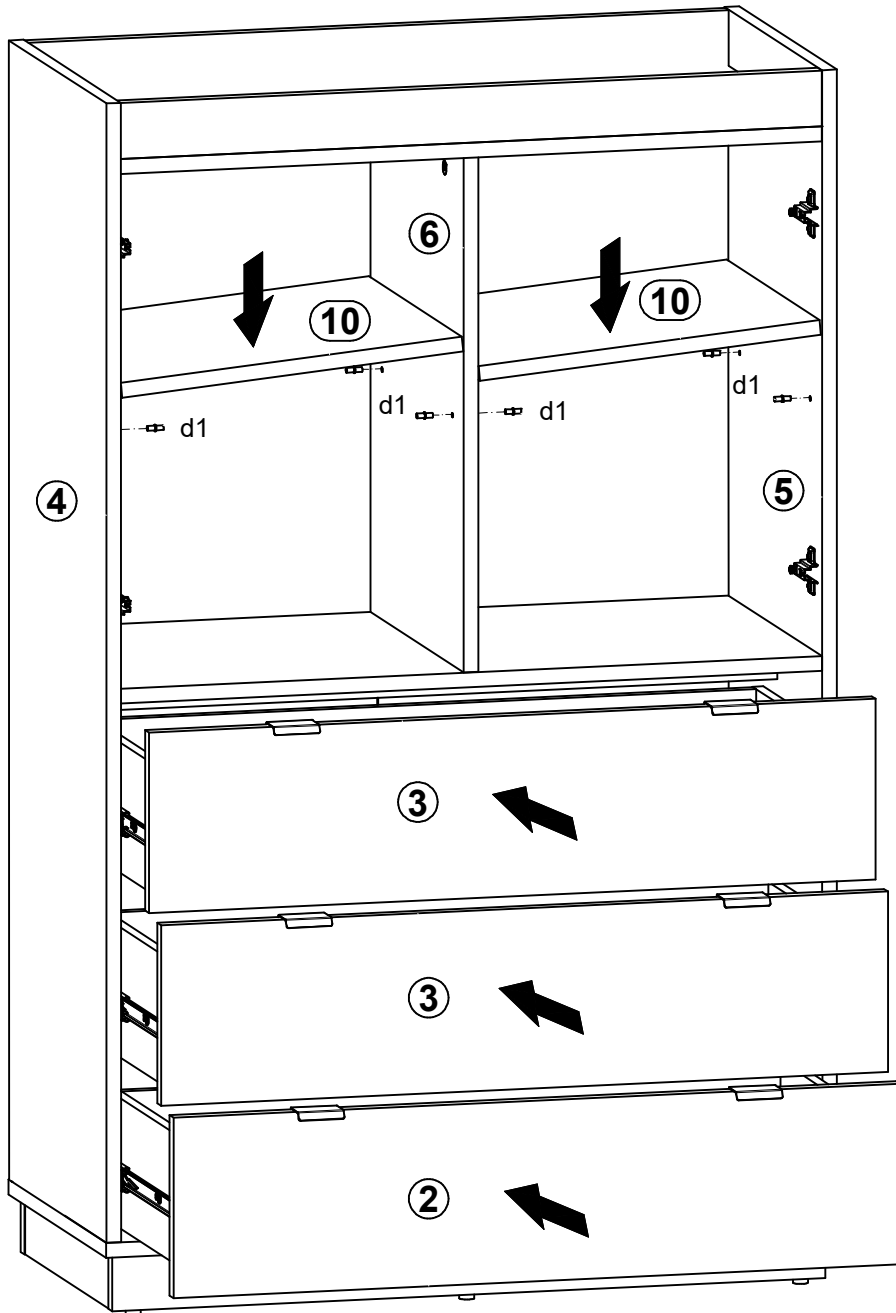


# 7

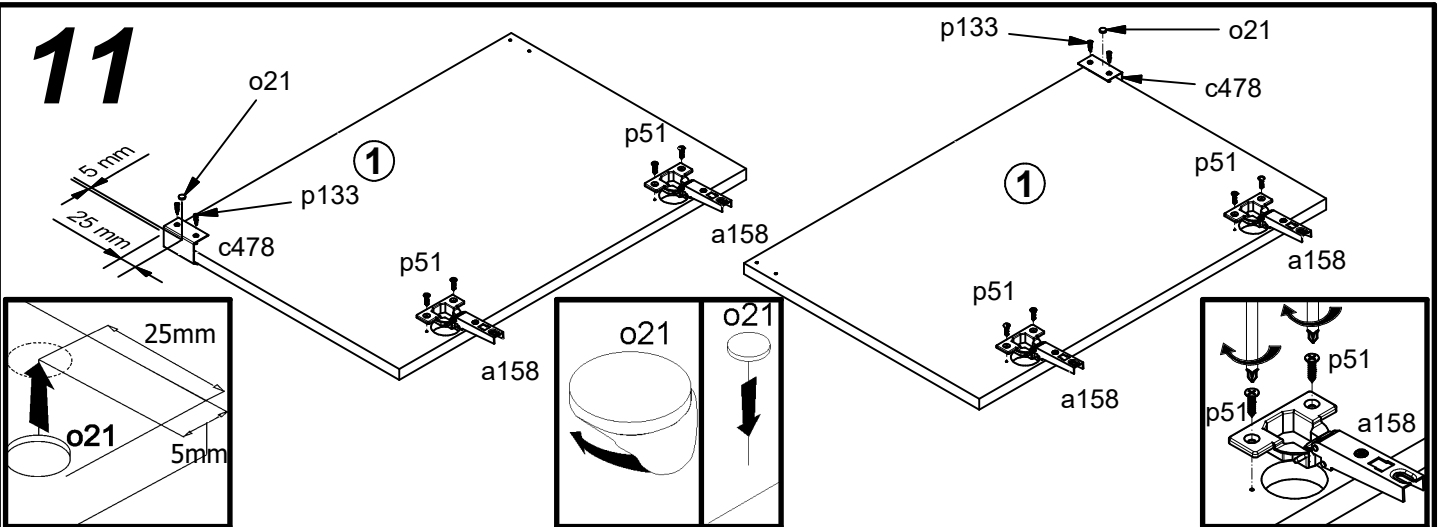




# 10



# 11



# 12

