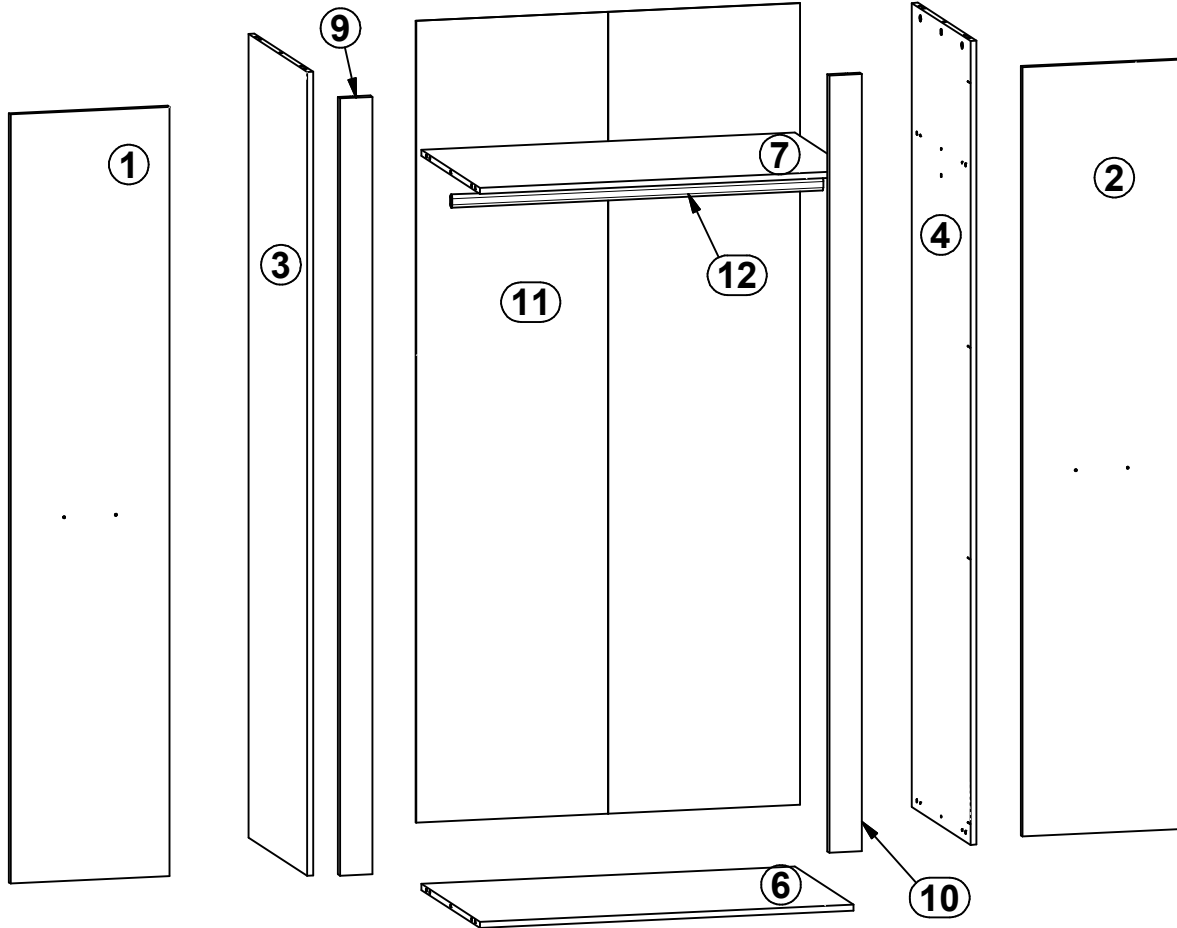
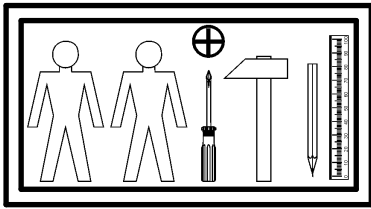
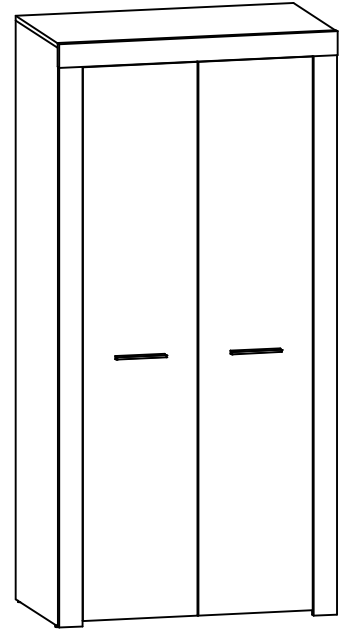
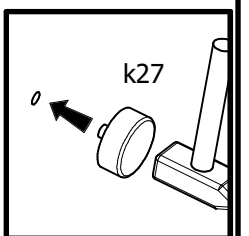
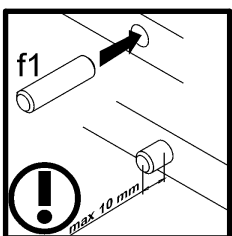
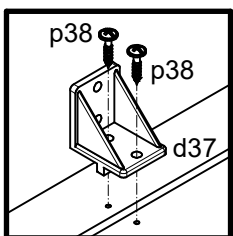
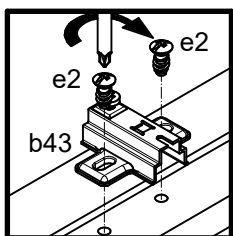
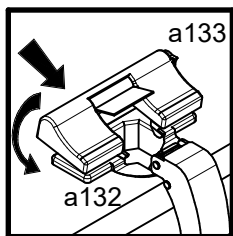
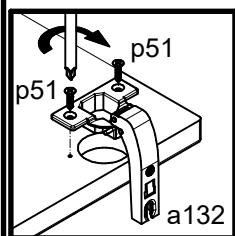
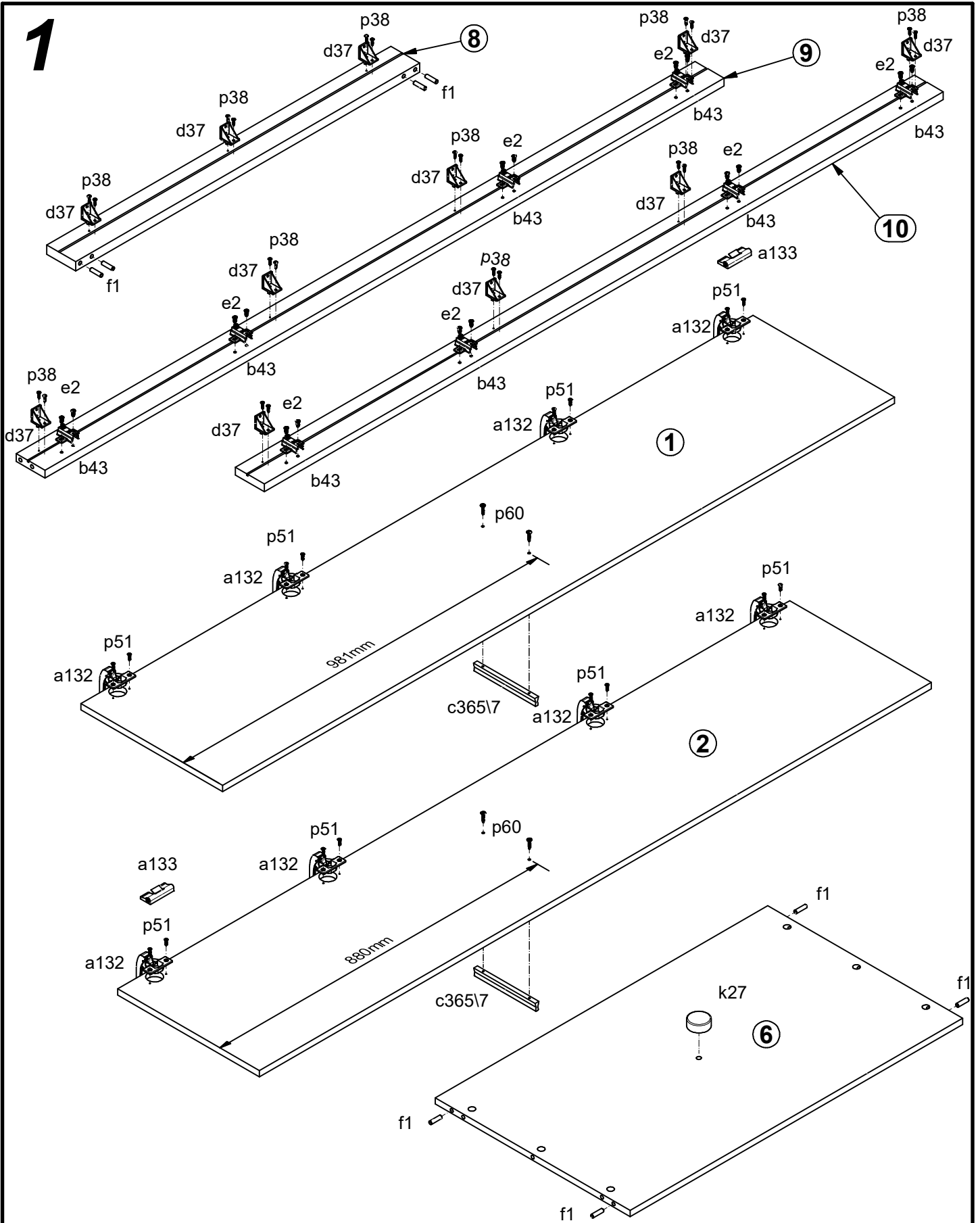


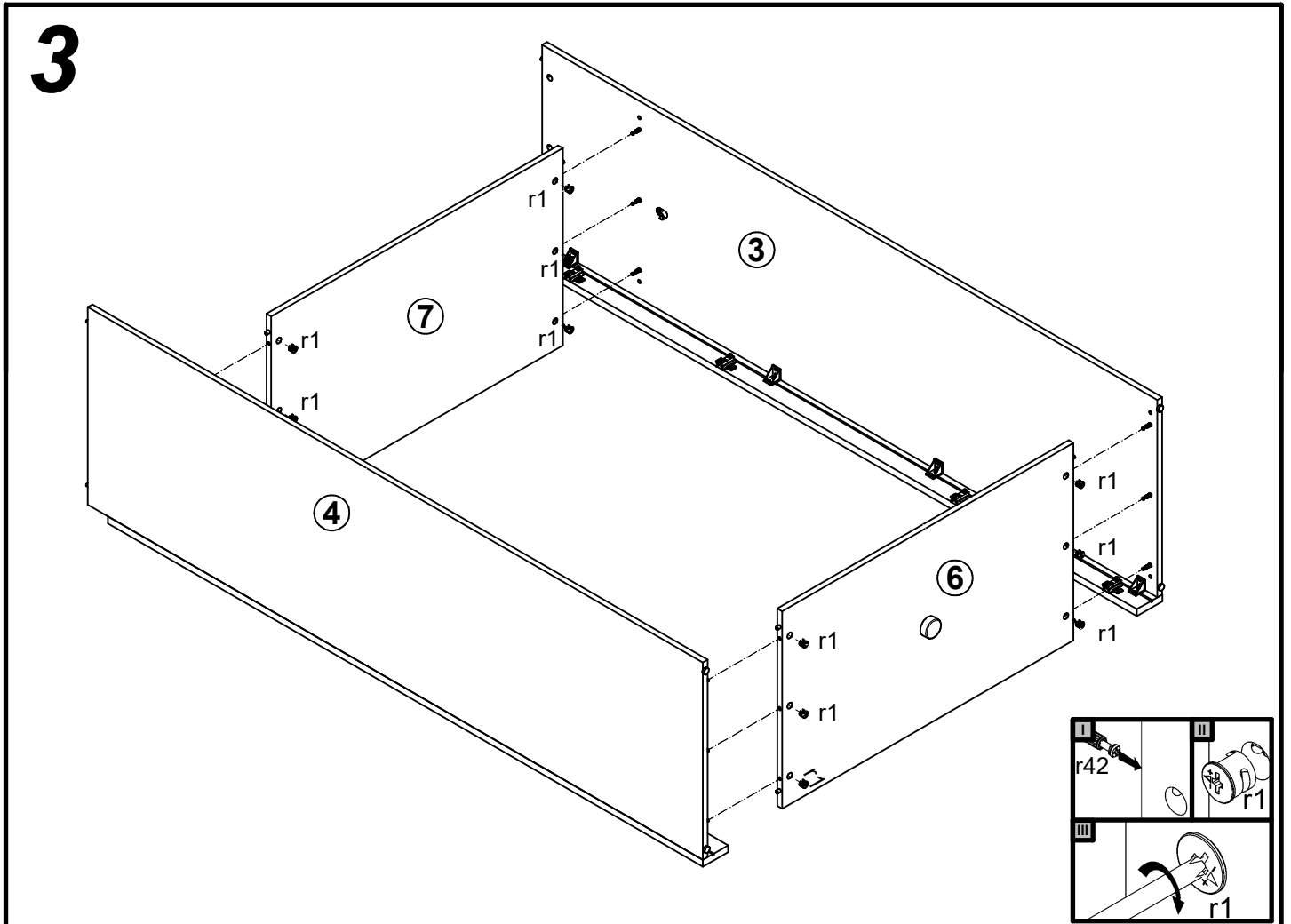
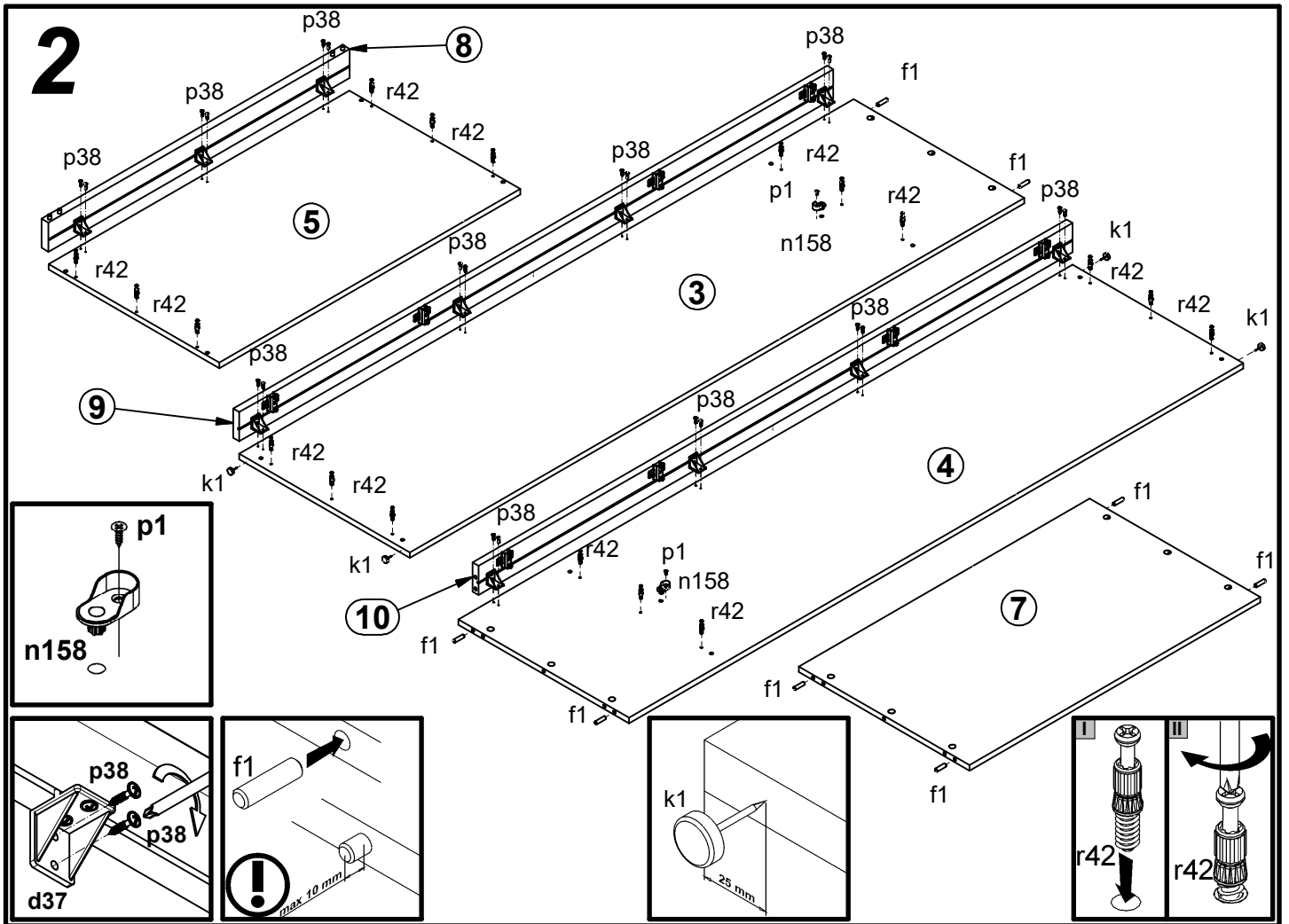
A	B	C	D
1	S415-0013	1861	392 3/3
2	S415-0014	1861	392 3/3
3	S415-1014	1944	540 2/3
4	S415-1015	1944	540 2/3
5	S415-2005	952	540 1/3
6	S415-3016	921	540 1/3
7	S415-3020	921	540 1/3
8	S415-5026	953	80 3/3
9	S415-5027	1880	80 3/3
10	S415-5028	1880	80 3/3
11	S415-9307	1939	947 2/3
12	dr-915	915	30 1/3



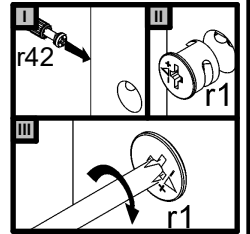
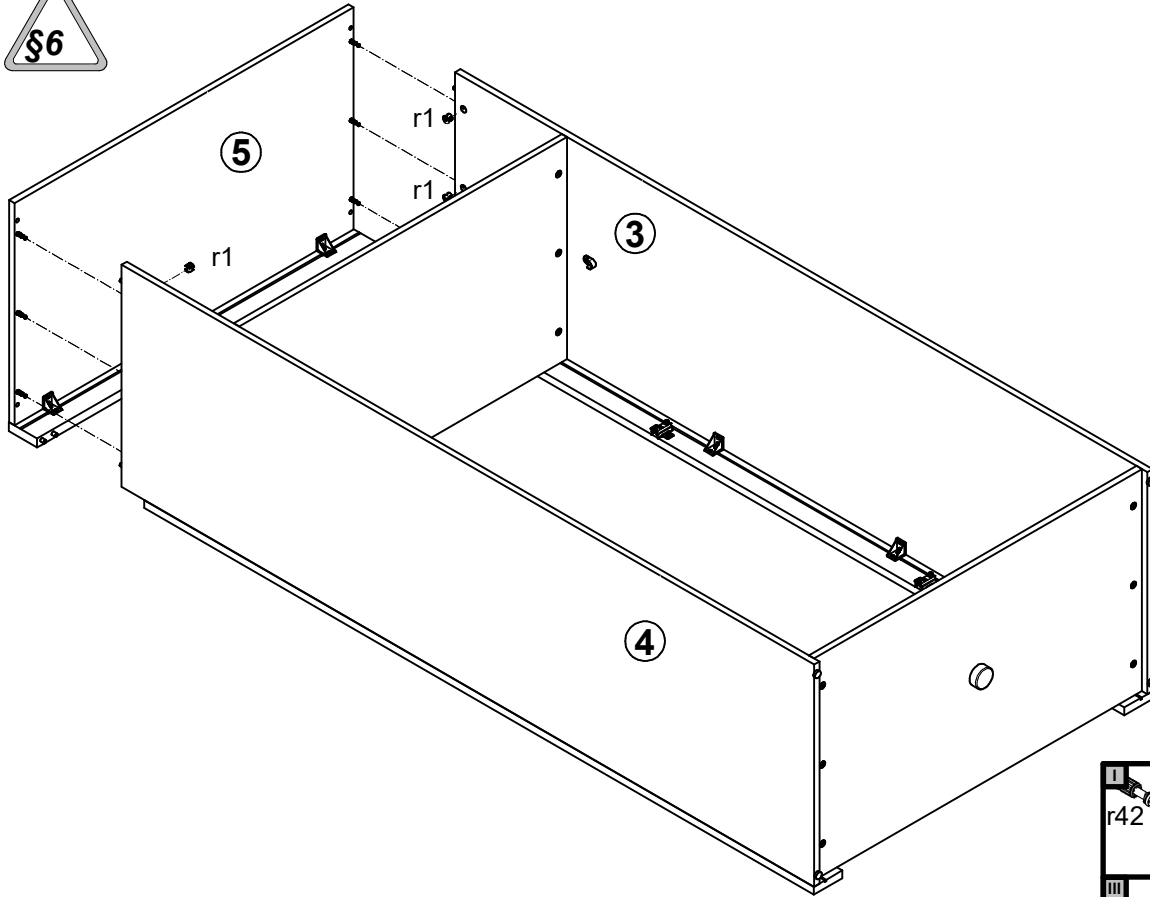
8x a132	2x a133	8x b43	2x c36517	11x d37	16x e2	16x f1	4x k1	1x k27
70x l1	2x n158	2x p1	45x p38	16x p51	4x p60	18x r1	18x r42	12x s2
1x n26								

1

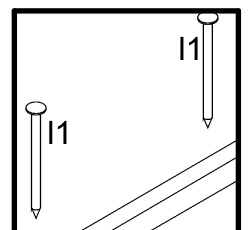
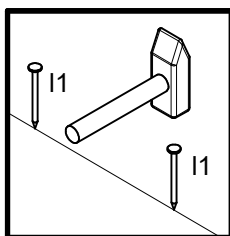
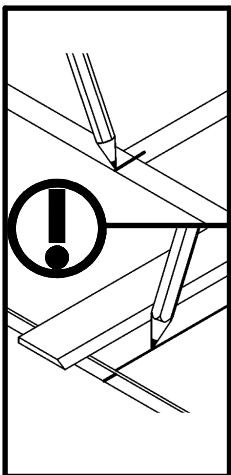
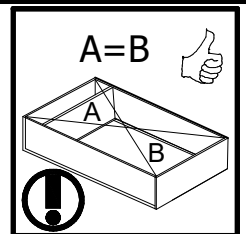
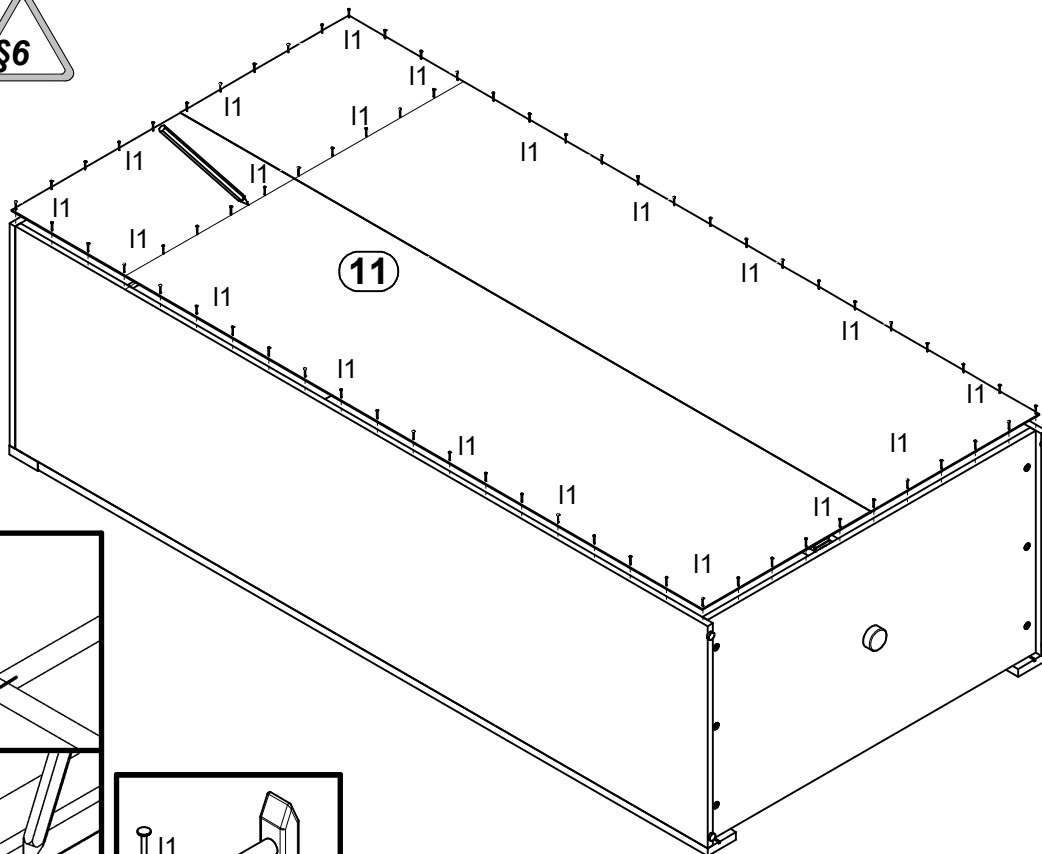




4



5



6

