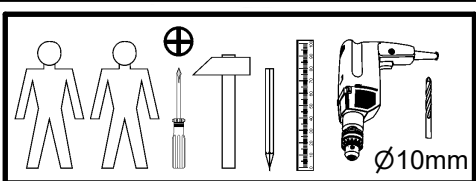
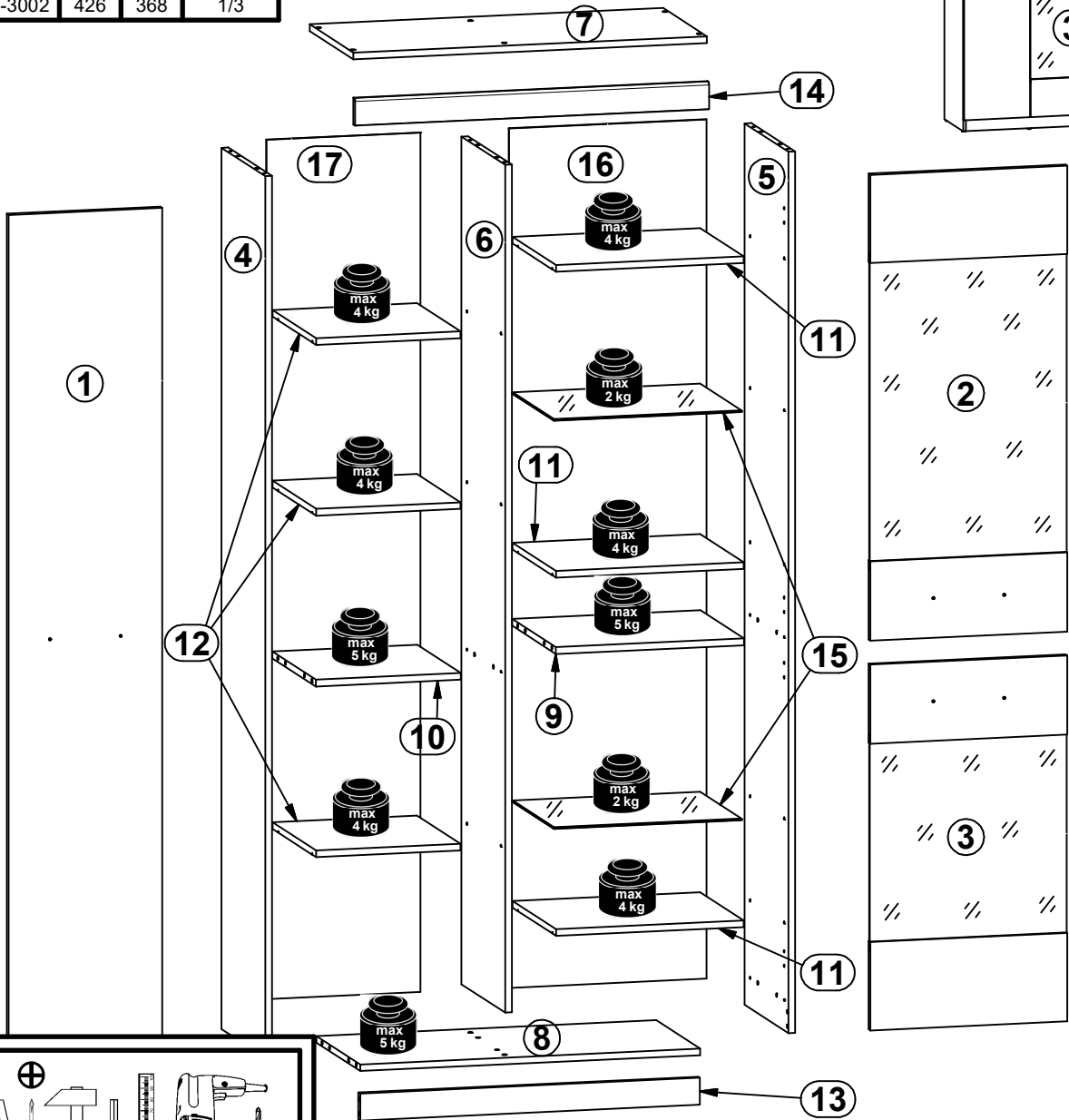
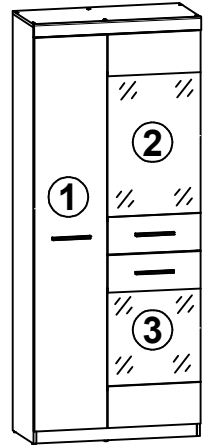


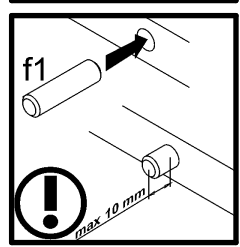
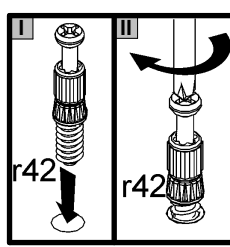
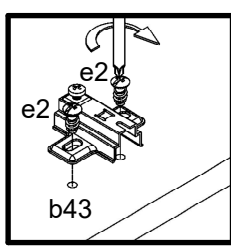
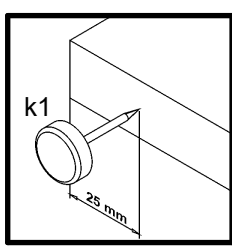
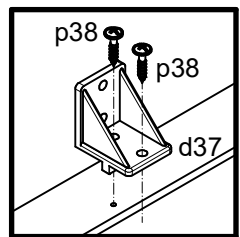
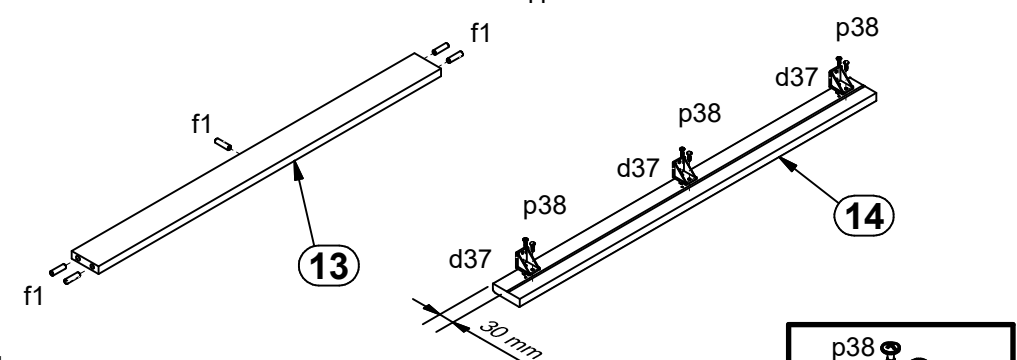
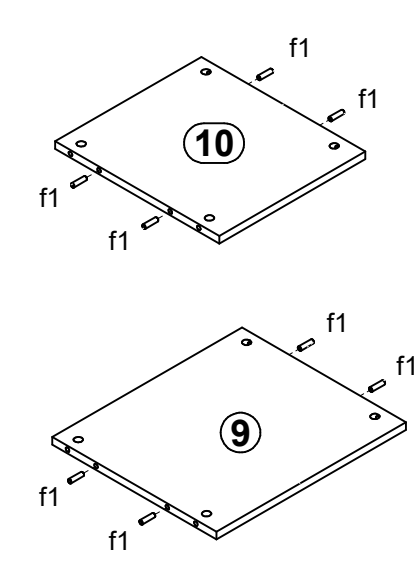
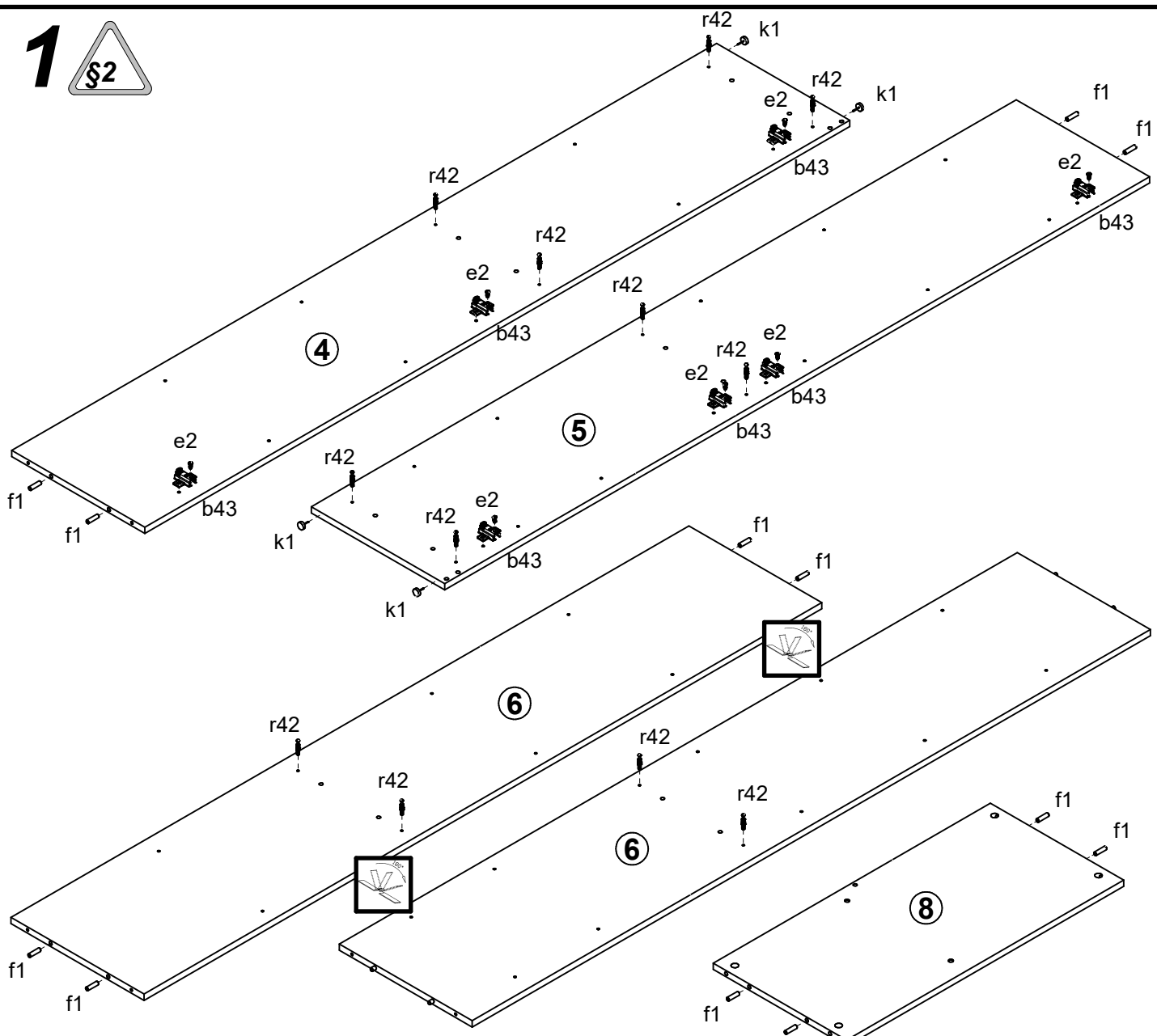
A	B	C	D
1	M235-0001	1849	348
2	M235-0002	1034	446
3	M235-0003	812	446
4	M235-1001	1956	370
5	M235-1002	1956	370
6	M235-1003	1881	369
7	M235-2001	800	370
8	M235-3001	769	370
9	M235-3002	426	368

A	B	C	D
10	M235-3003	328	368
11	M235-3004	425	368
12	M235-3005	327	368
13	M235-4001	769	60
14	M235-5001	801	60
15	M235-5501	426	350
16	M235-9001	1907	447
17	M235-9002	1907	349

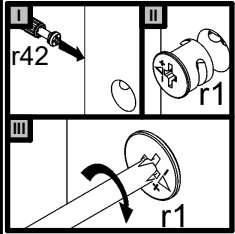
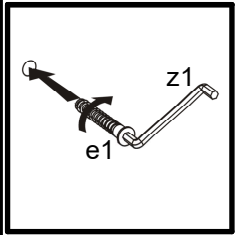
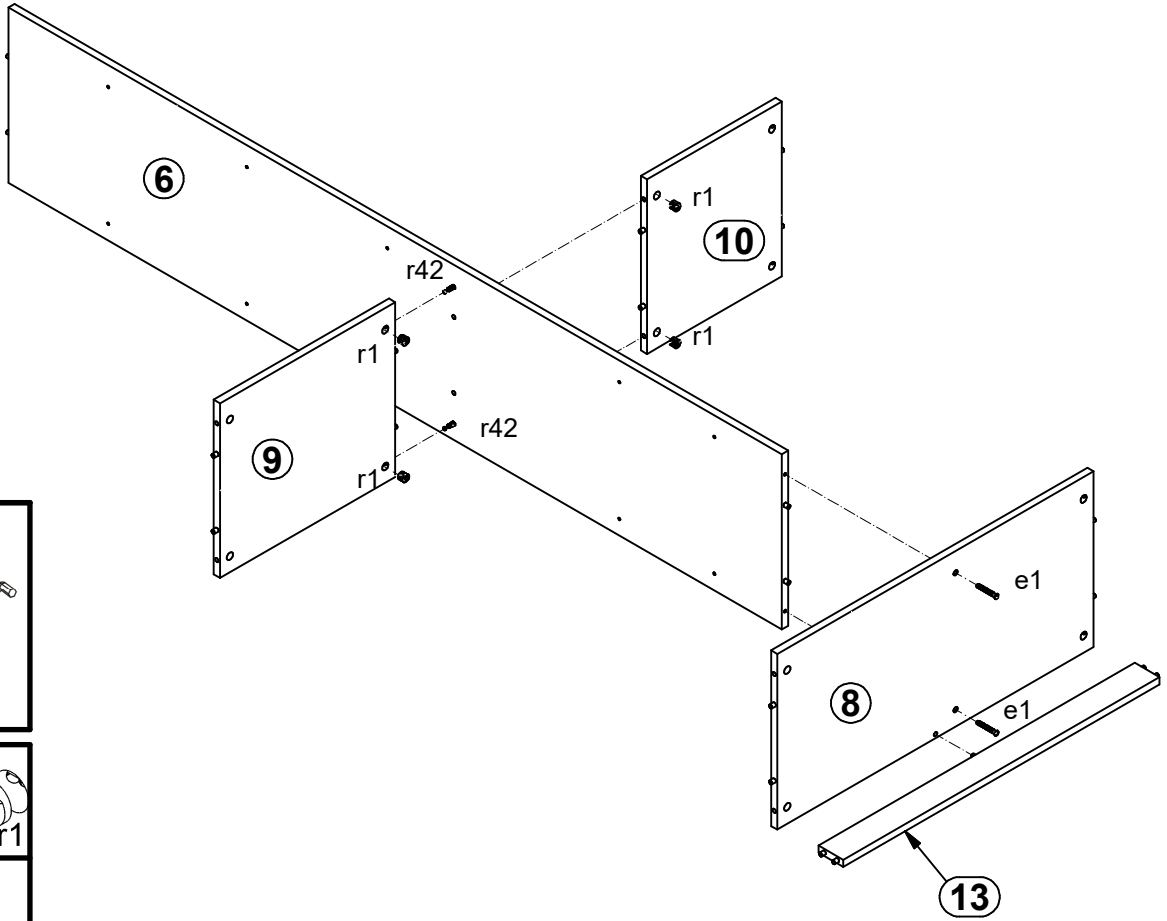


3x a133	7x a158	7x b43	3x c296/8	24x d1	8x d3	3x d37	8x e1	14x e2	
25x f1	5x k1	60x l1	9x n108	12x p38	6x p42	14x p51	9x p55	12x r1	
12x r42	6x s1	1x z1				1x n26/1	1x p38		

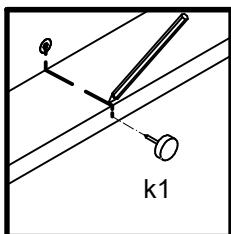
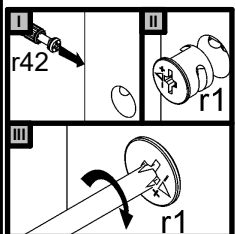
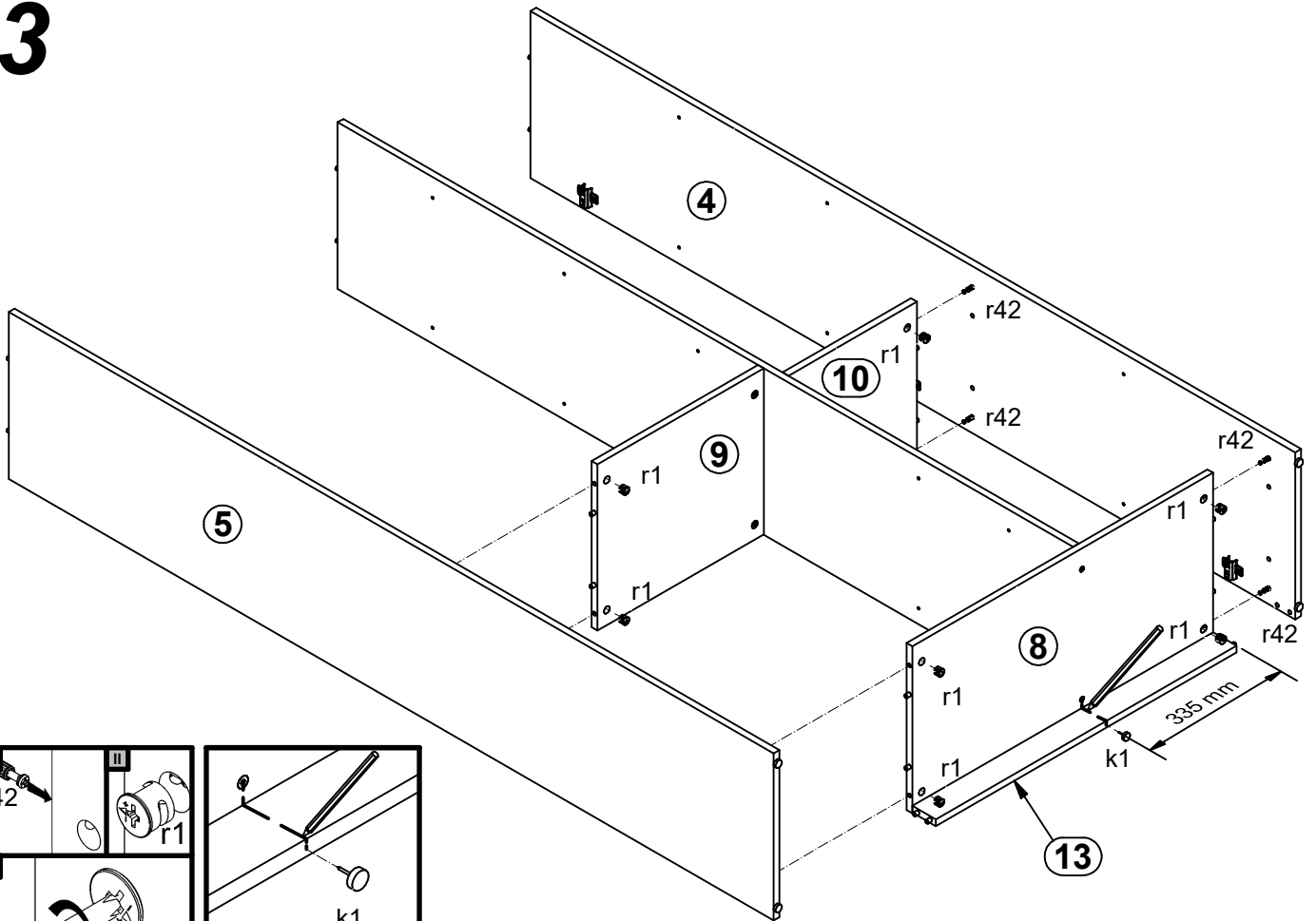
1 §2



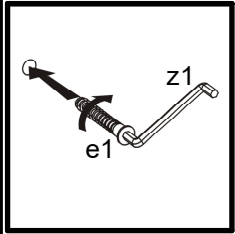
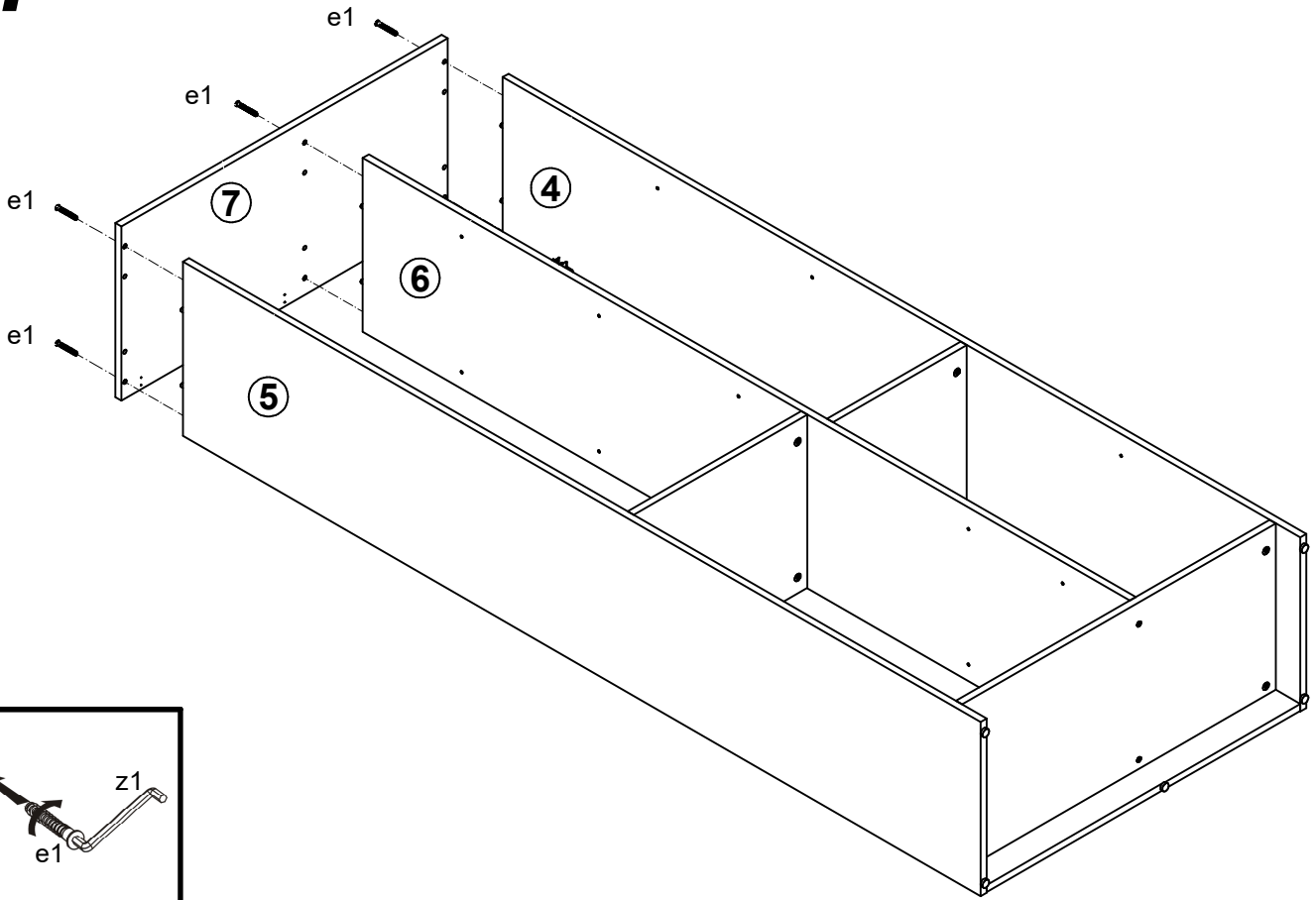
2 



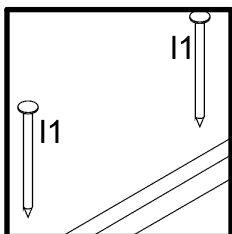
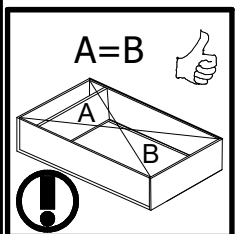
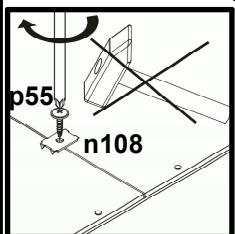
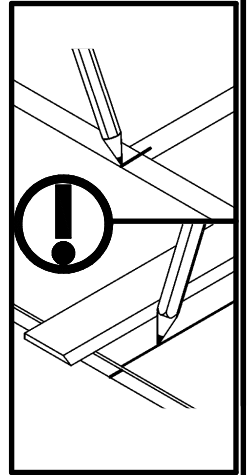
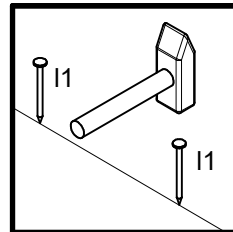
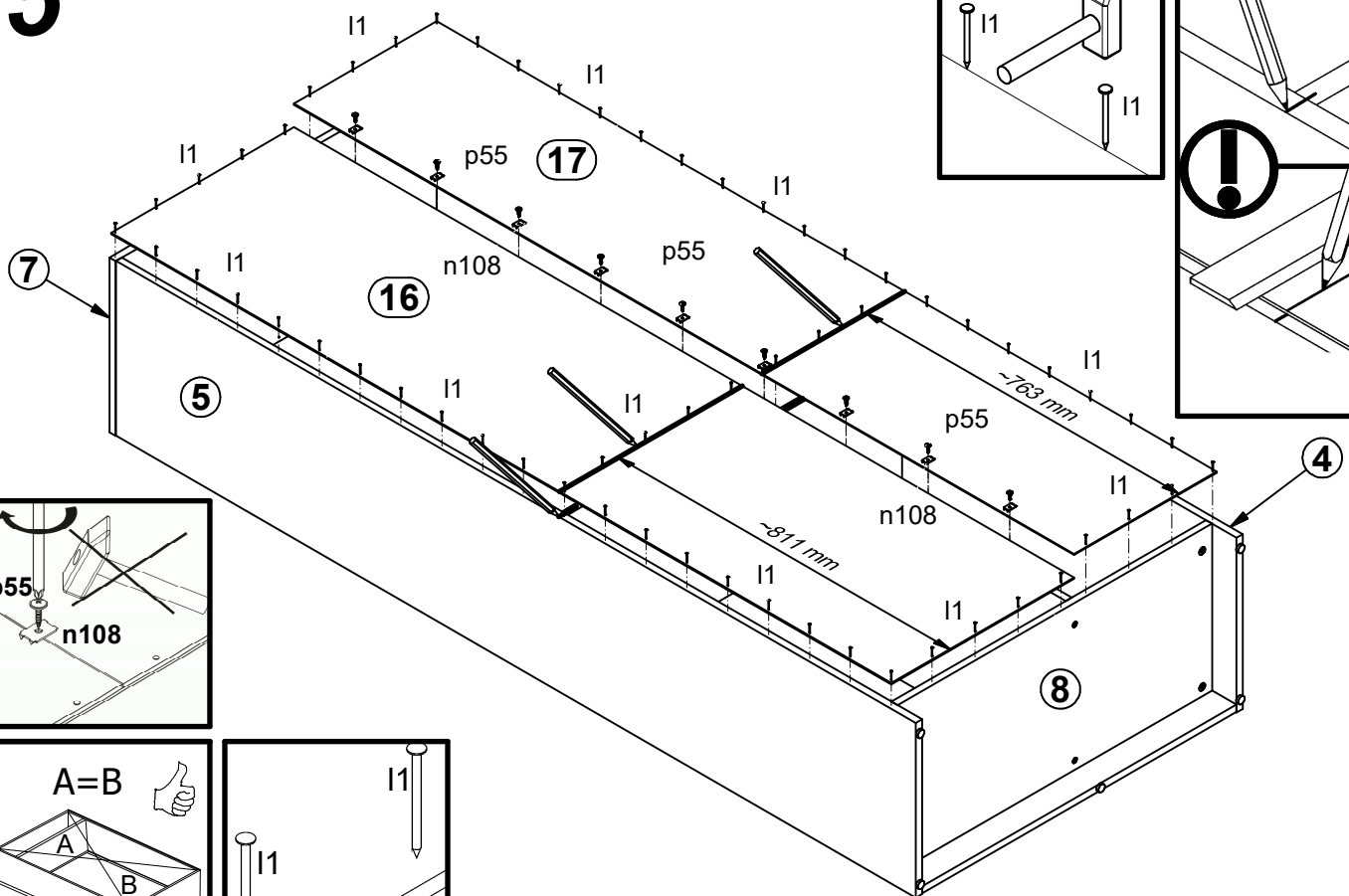
3



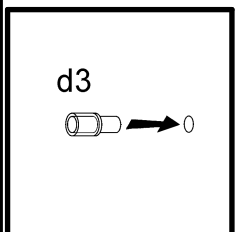
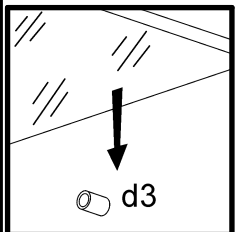
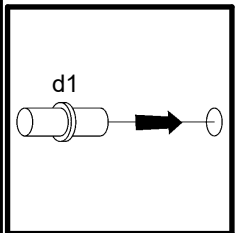
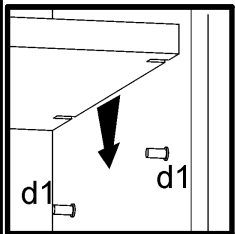
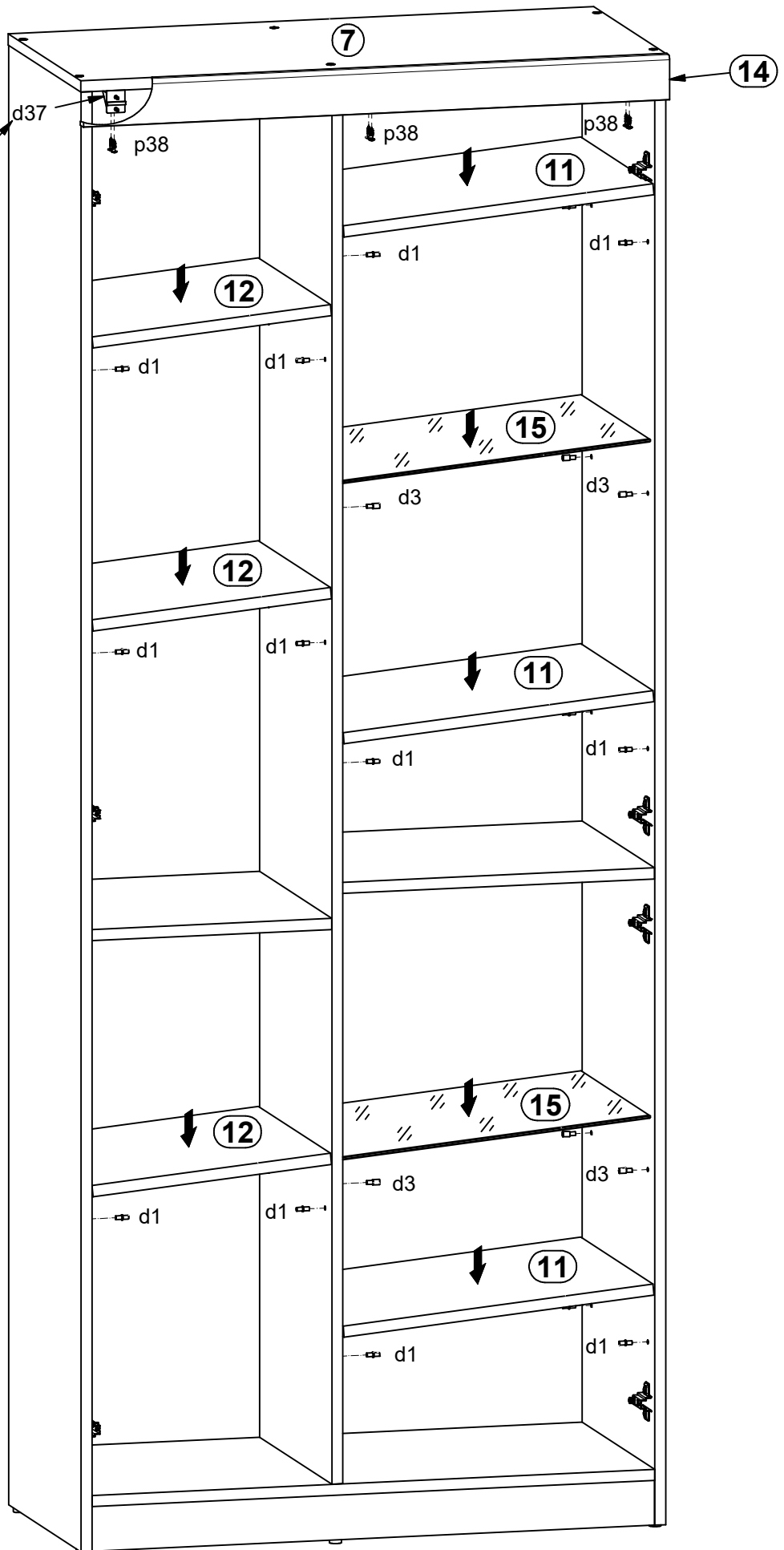
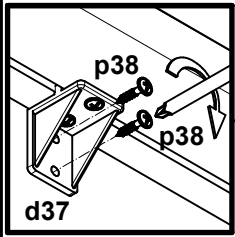
4



5



6



7

