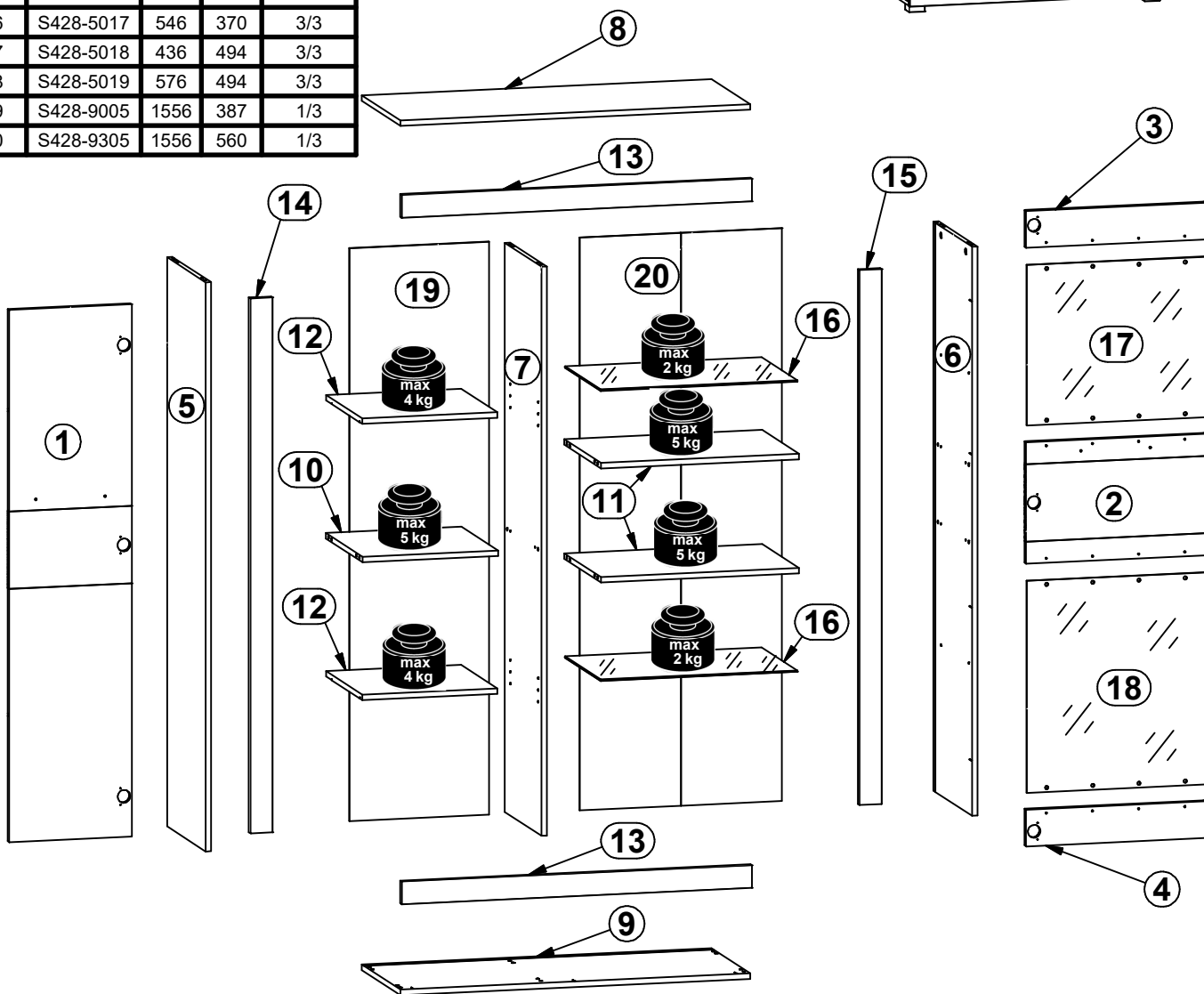
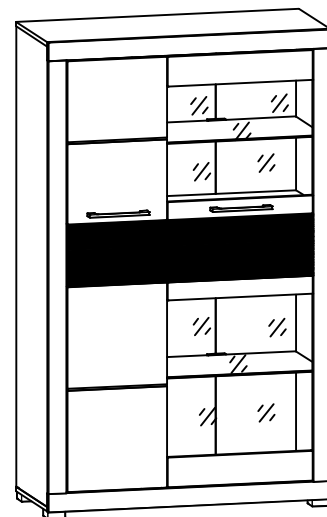
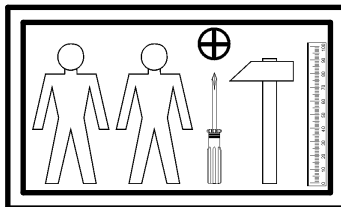


A

FLAMES

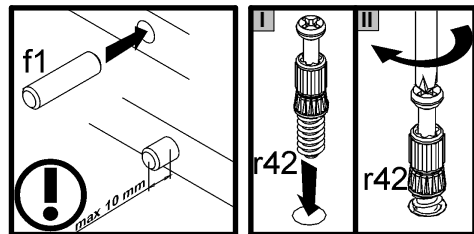
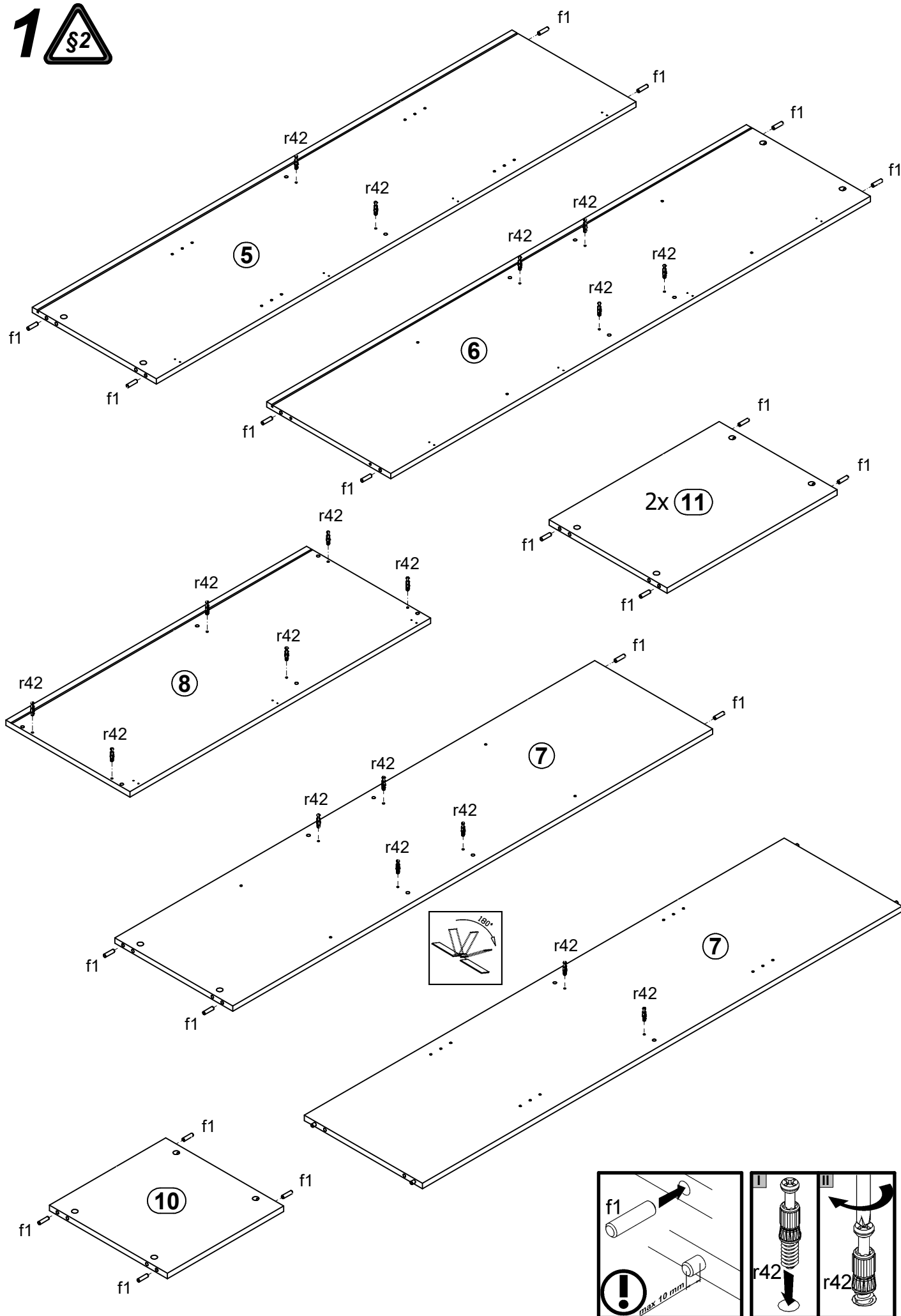
S428-REG1D1W

A	B	C	D	
1	S428-0013	340	1446	3/3
2	S428-0014	496	330	3/3
3	S428-0015	496	100	3/3
4	S428-0016	496	100	3/3
5	S428-1015	1546	400	1/3
6	S428-1016	1546	400	1/3
7	S428-1017	1546	380	1/3
8	S428-2011	969	400	2/3
9	S428-2012	969	400	2/3
10	S428-3006	375	380	2/3
11	S428-3007	548	380	2/3
12	S428-3008	374	375	3/3
13	S428-5014	970	62	3/3
14	S428-5015	1453	62	3/3
15	S428-5016	1453	62	3/3
16	S428-5017	546	370	3/3
17	S428-5018	436	494	3/3
18	S428-5019	576	494	3/3
19	S428-9005	1556	387	1/3
20	S428-9305	1556	560	1/3

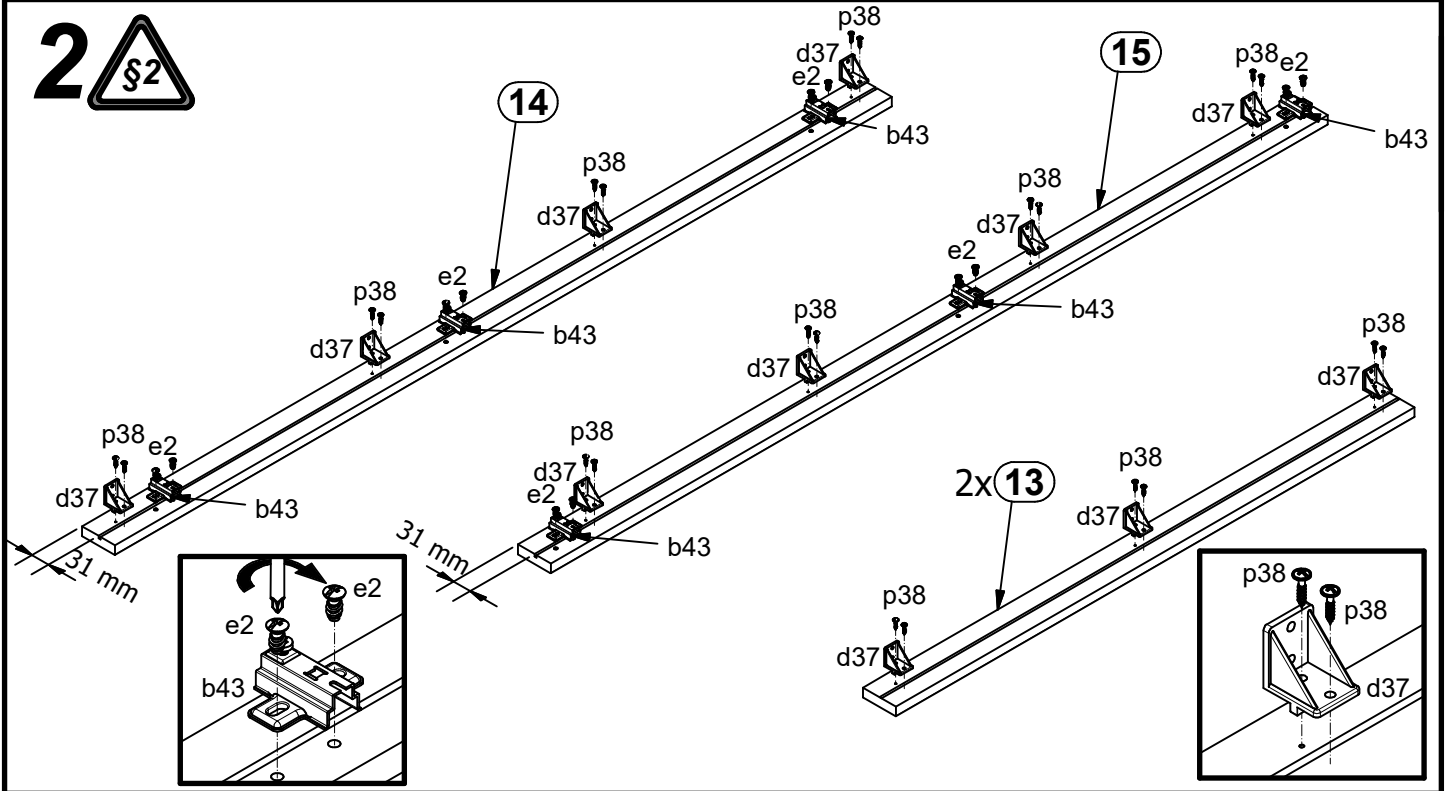


6x a132	2x a133	6x b43	2x 192 mm c306	8x Ø5x17 mm d1	8x Ø5x17 mm d3	14x d37	6x Ø7x50 mm e1	12x Ø6,3x13 mm e2
16x Ø5x16 mm e47	24x Ø8x30 mm f1	4x M4x22 mm j30	1x Ø50x25 mm k53	4x 60x60/25 mm k55	12x l2	7x 22x9,5x20,7 mm n108	2x o43/8	16x Ø5,3/Ø8,3x4,8 mm o54
1x 3P 5W o70	8x Ø4x35 mm p6	1x Ø4x25 mm p36	56x Ø3,5x16 mm p38	12x Ø3,5x15 mm p51	7x Ø2,9x16 mm p55	18x Ø15x12 mm #16 r1	18x 20/11 r42	10x Ø 20mm s68
1x 4 mm z1						1x Ø3,5x16 mm p38		1x n26

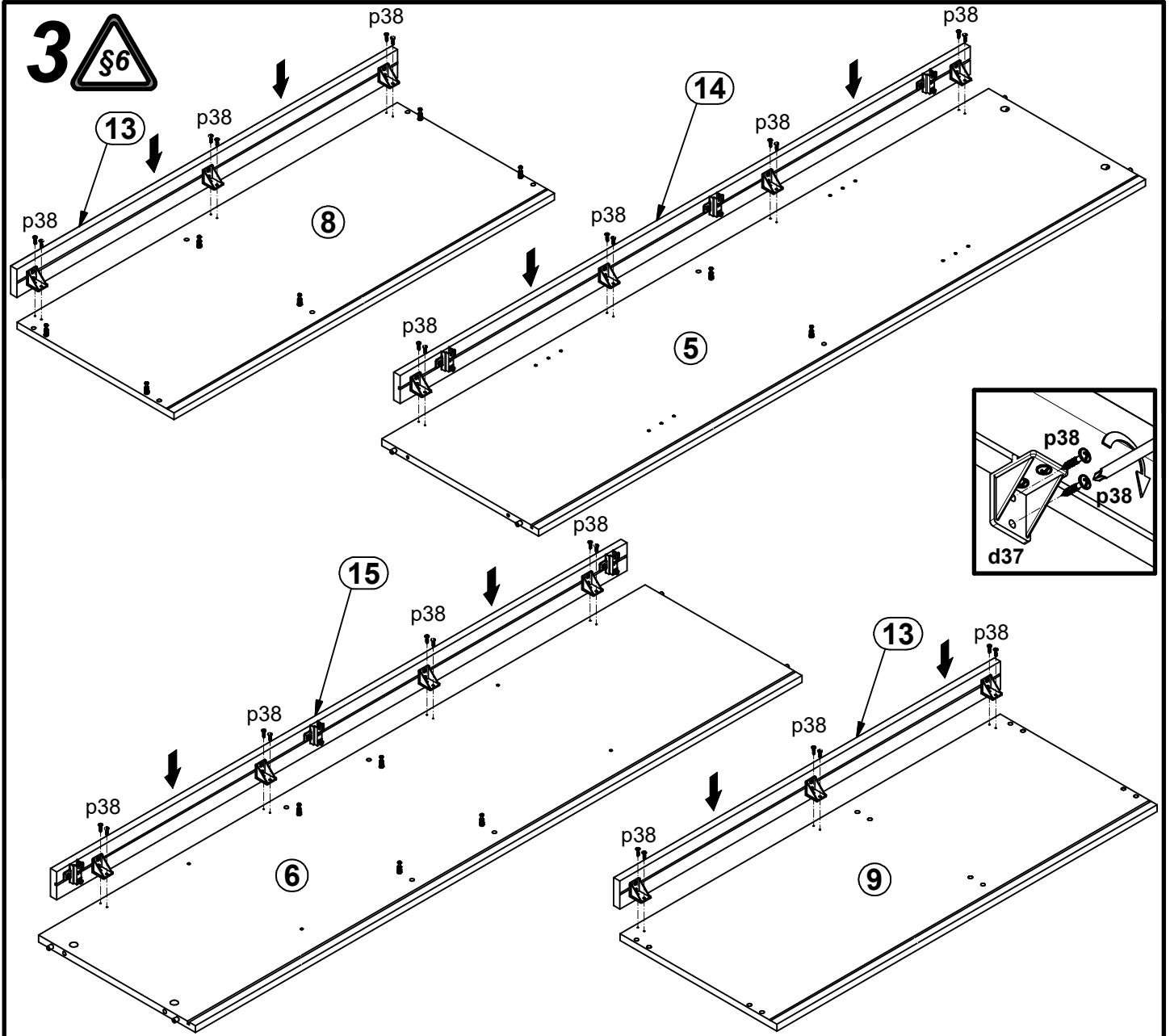
1 



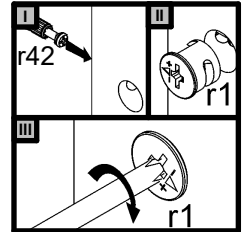
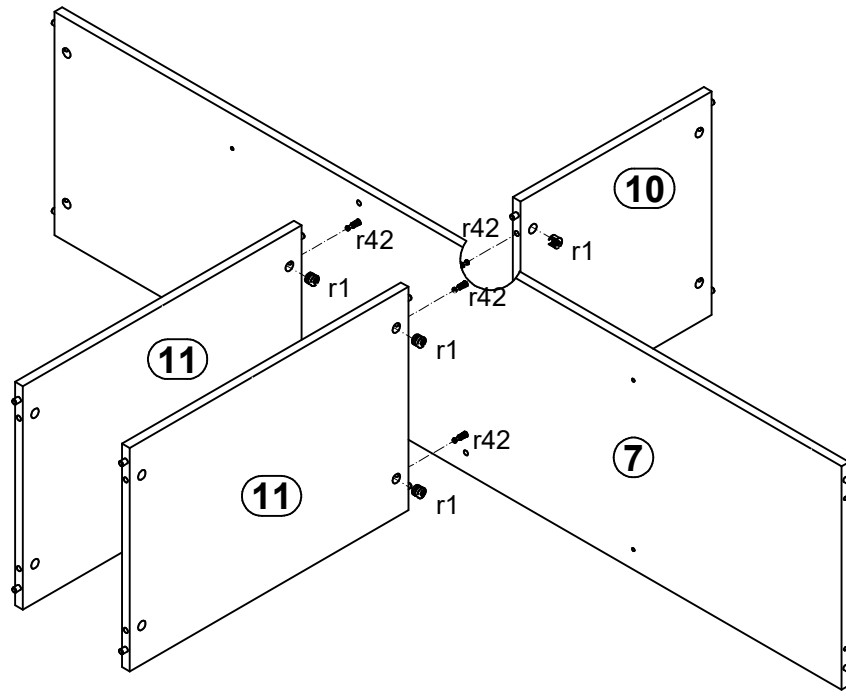
2

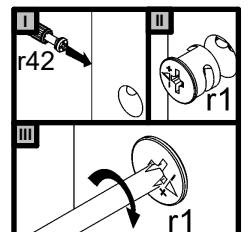
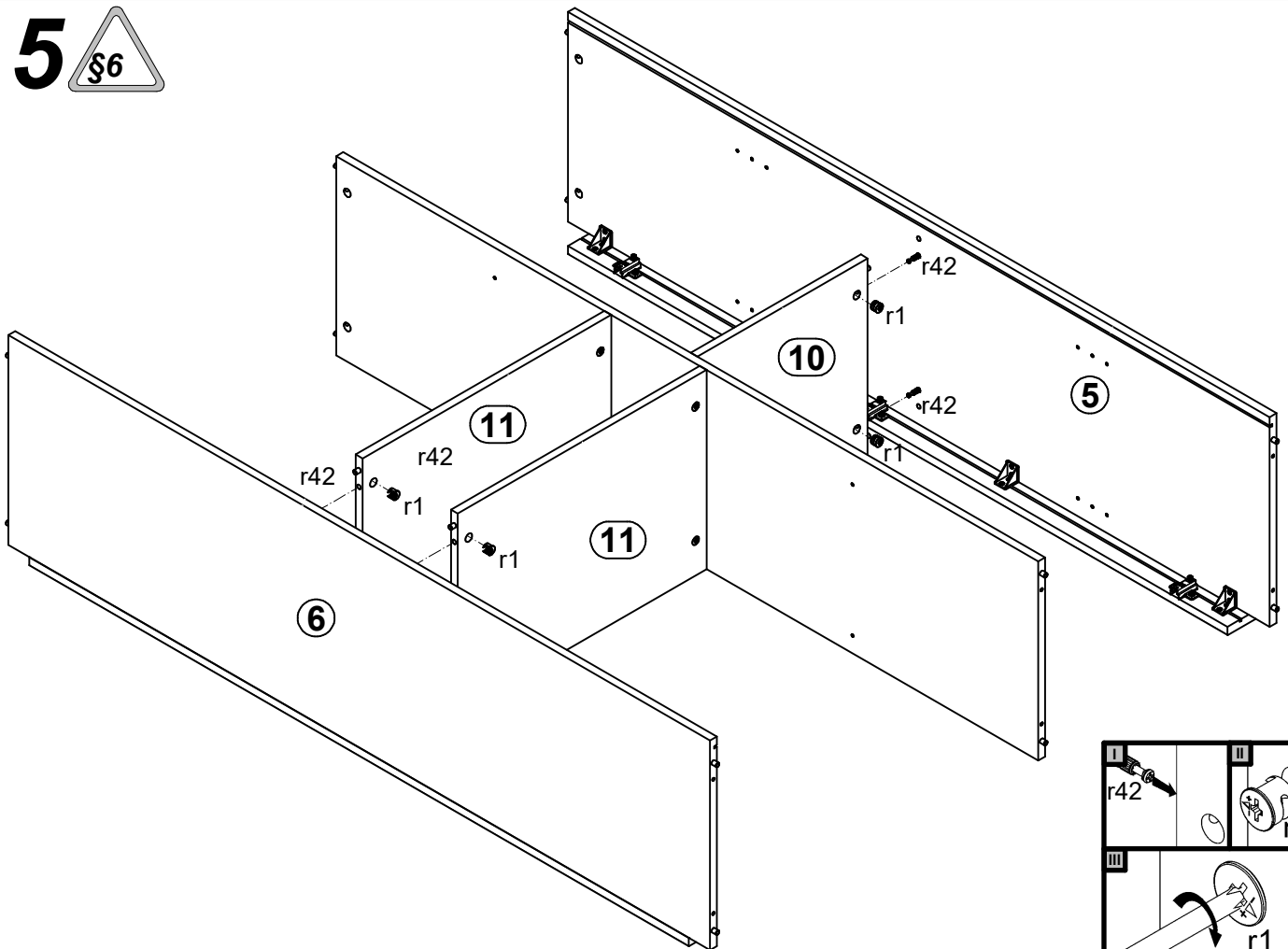
3

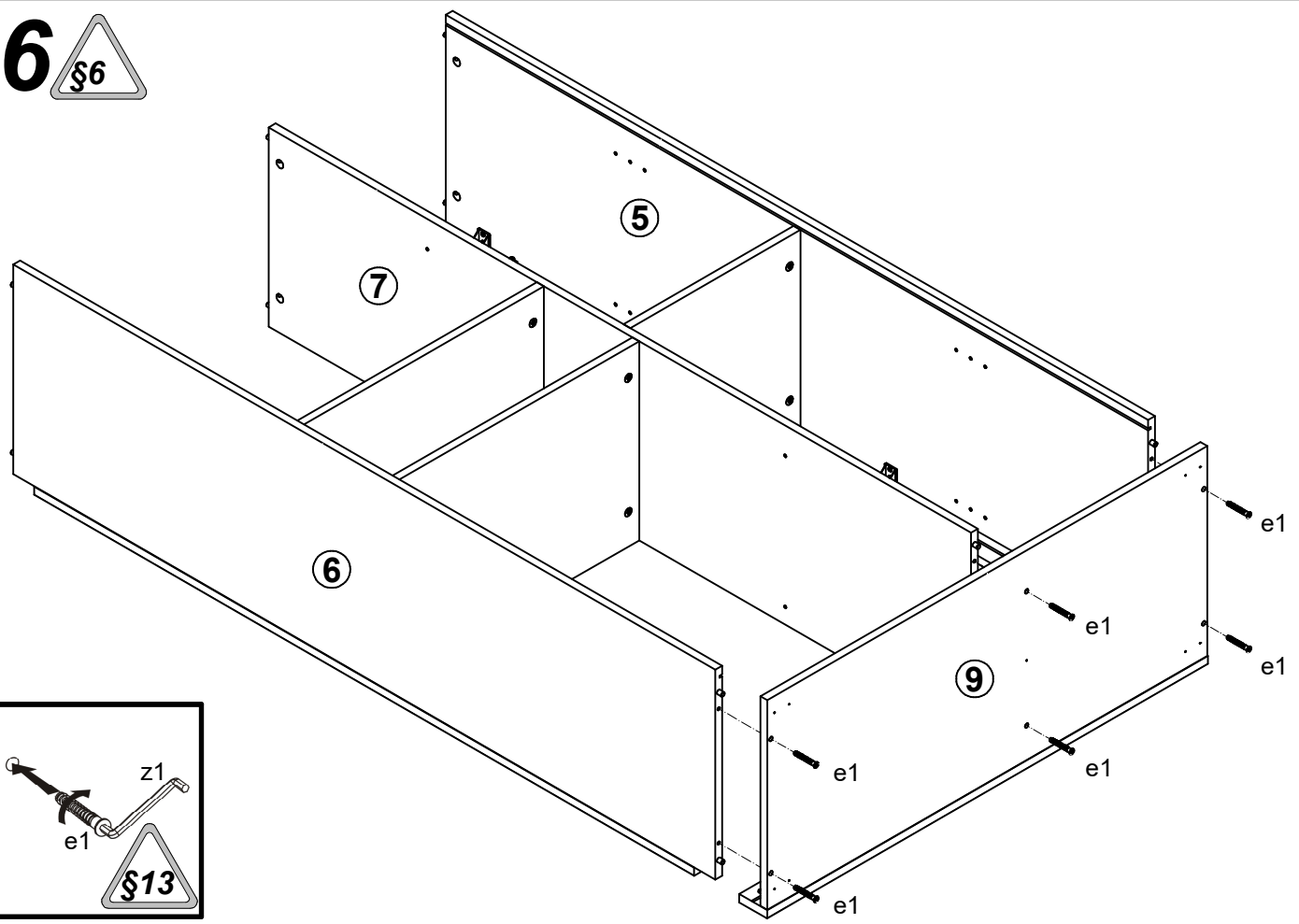
4 §6



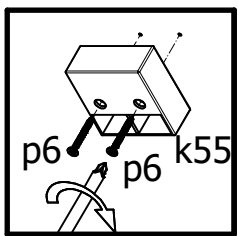
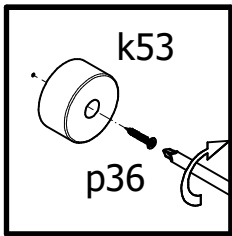
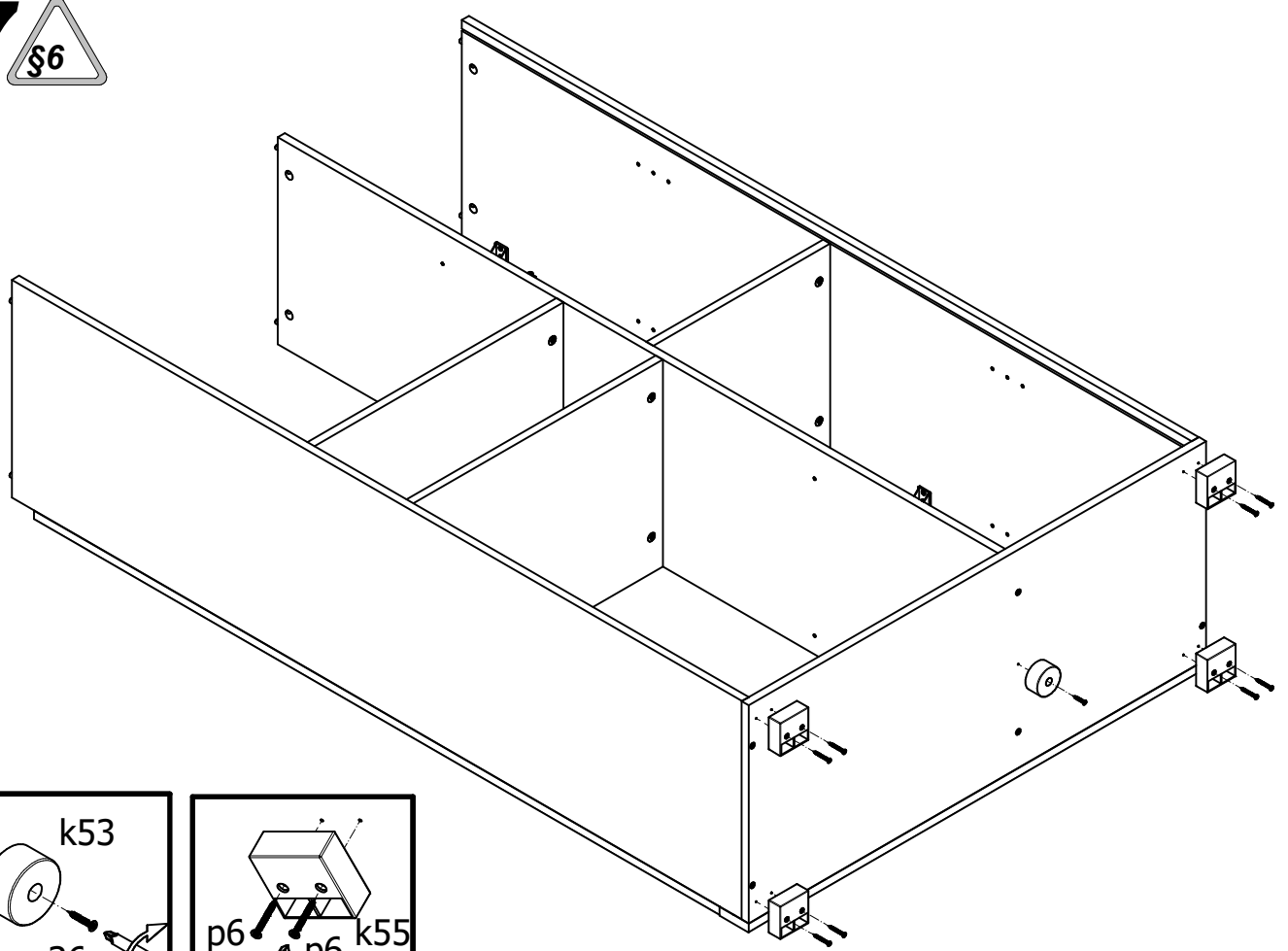
5 §6



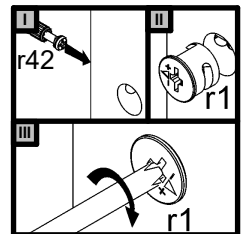
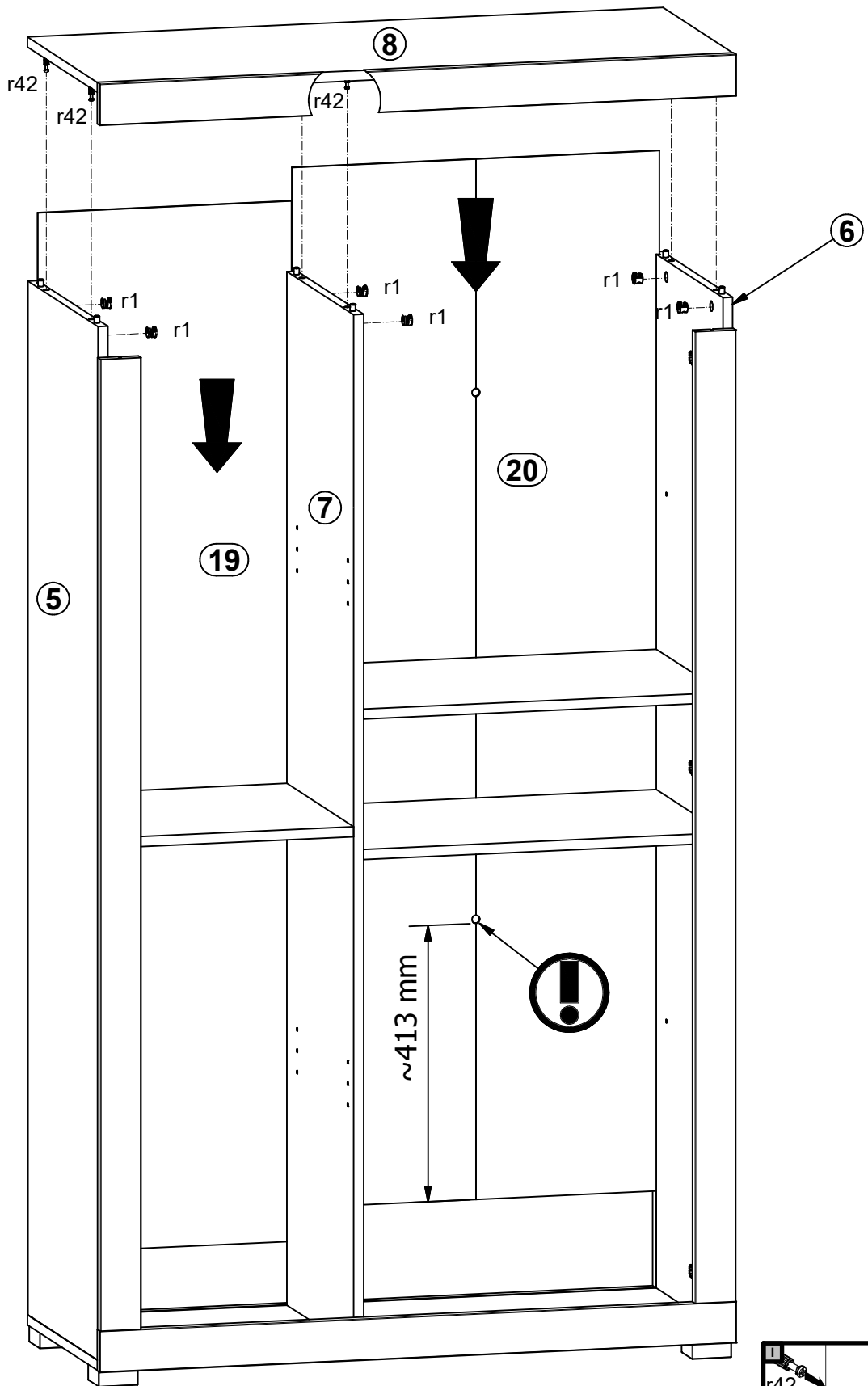
6



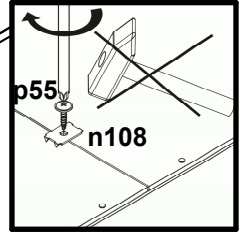
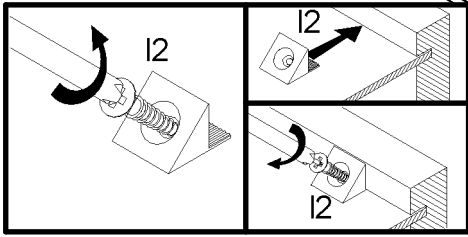
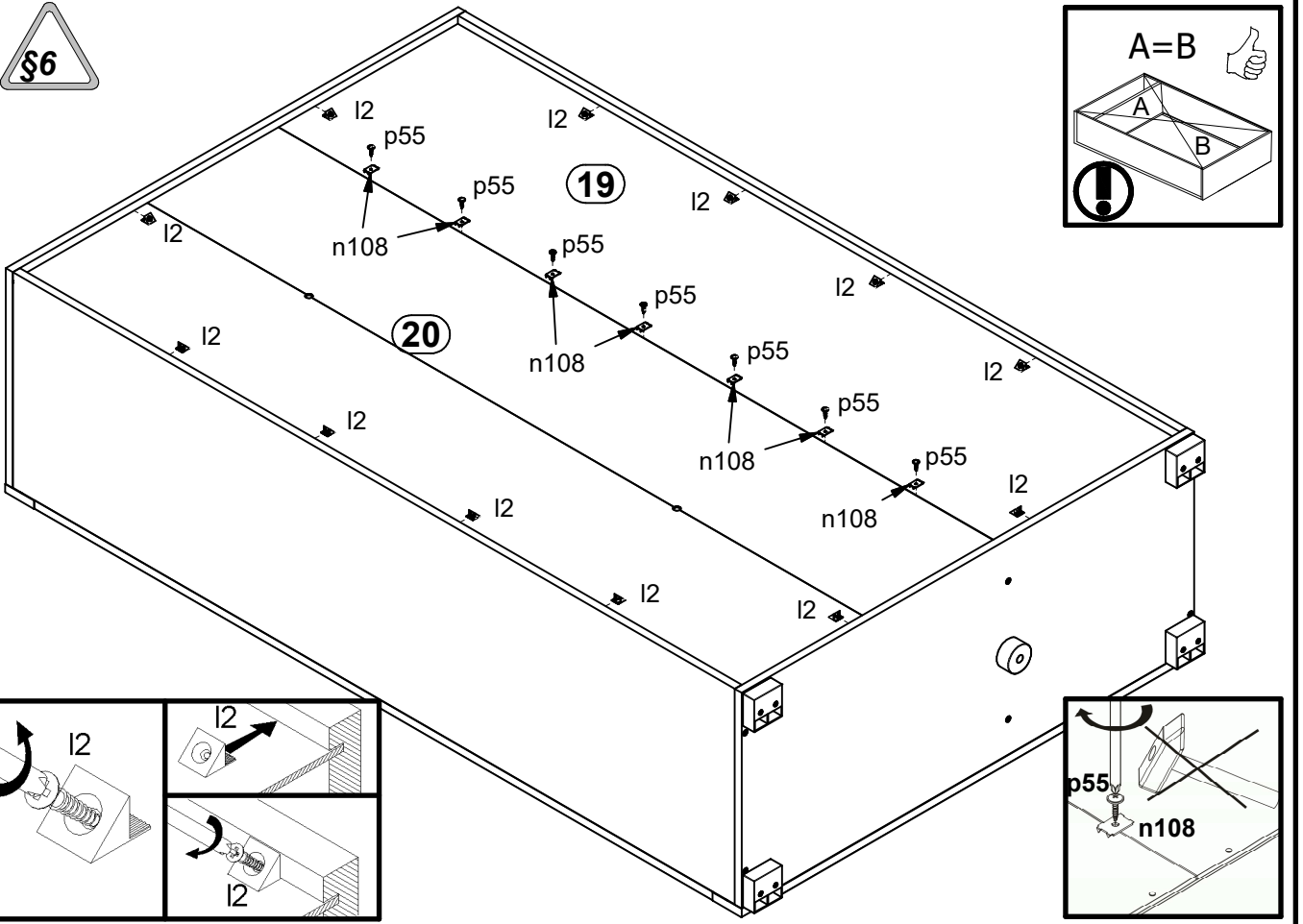
7



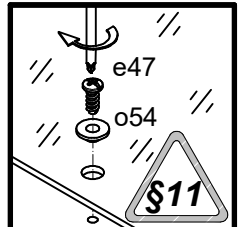
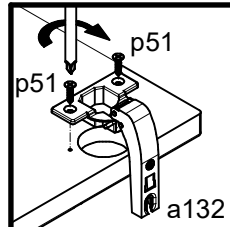
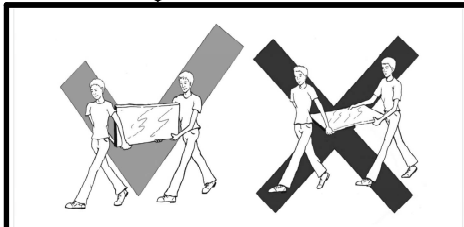
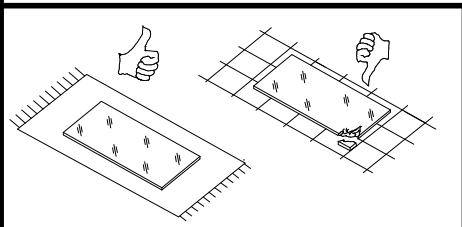
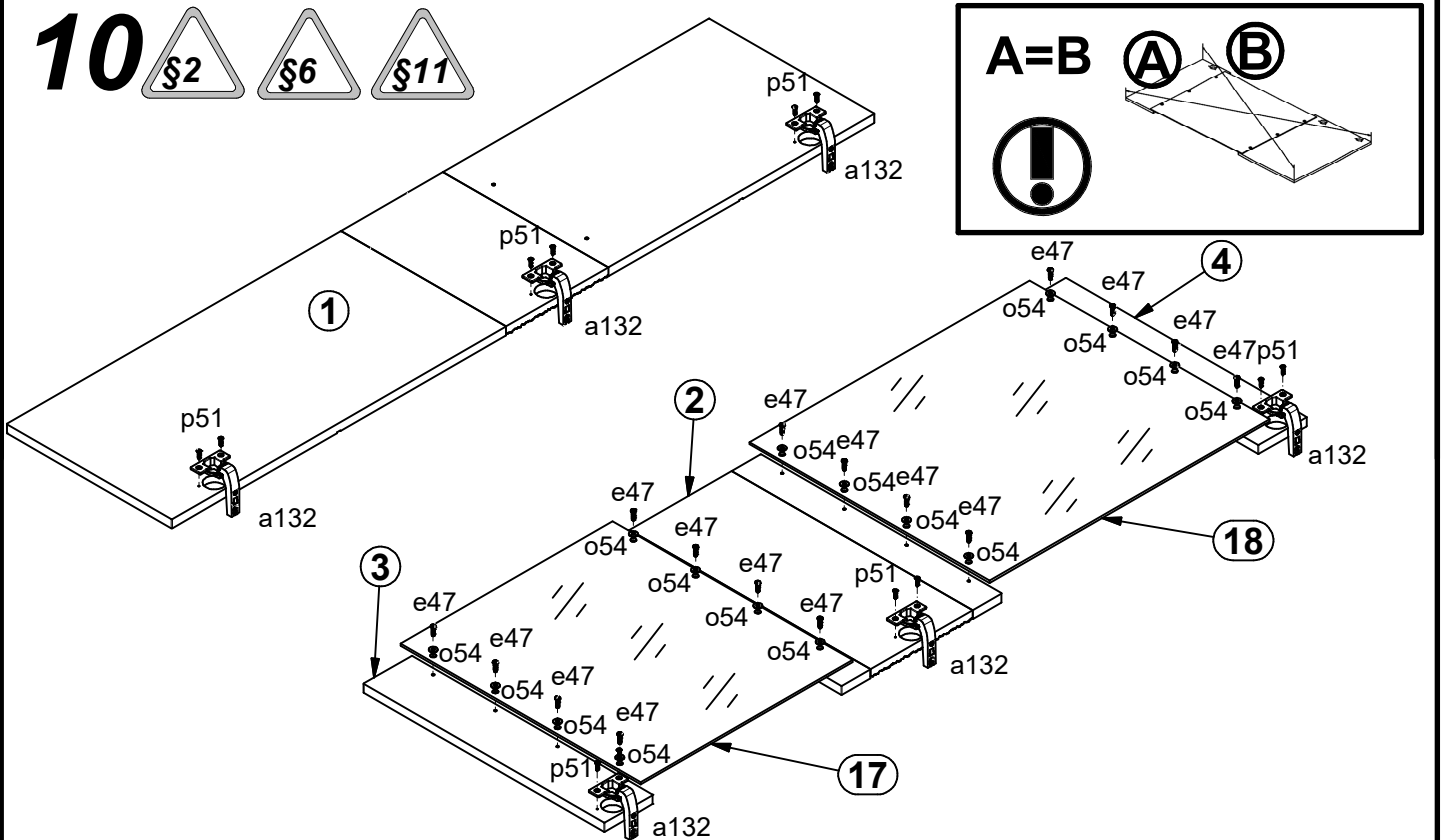
8



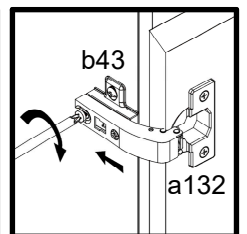
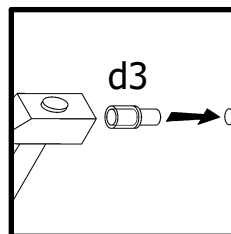
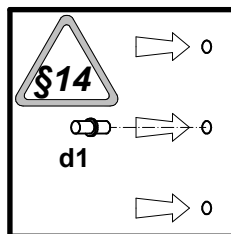
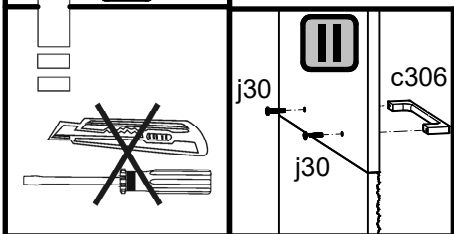
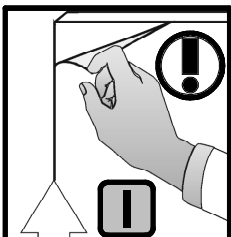
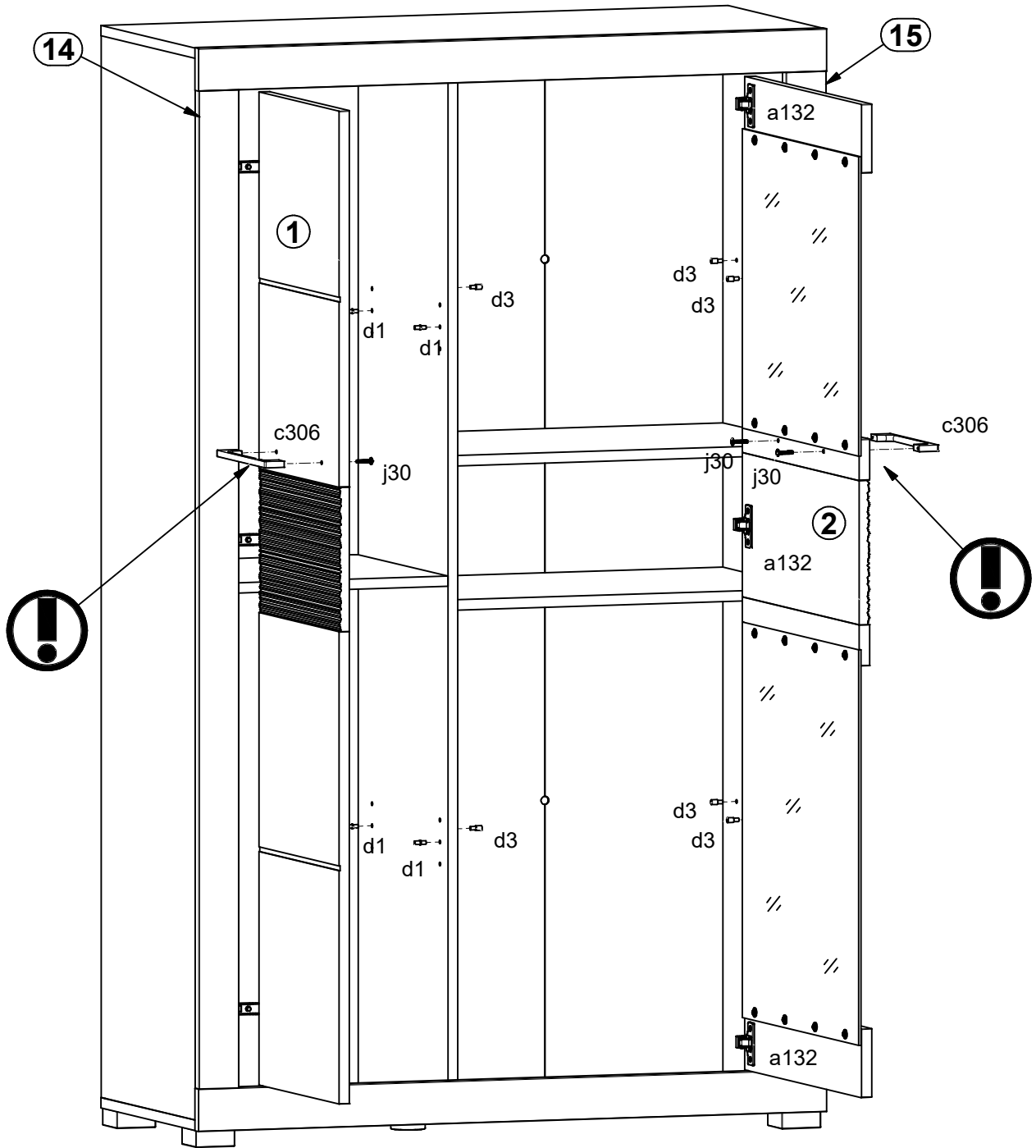
9



10



11



12

