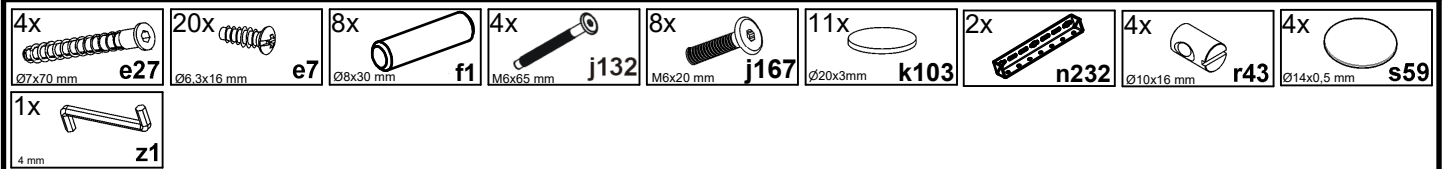
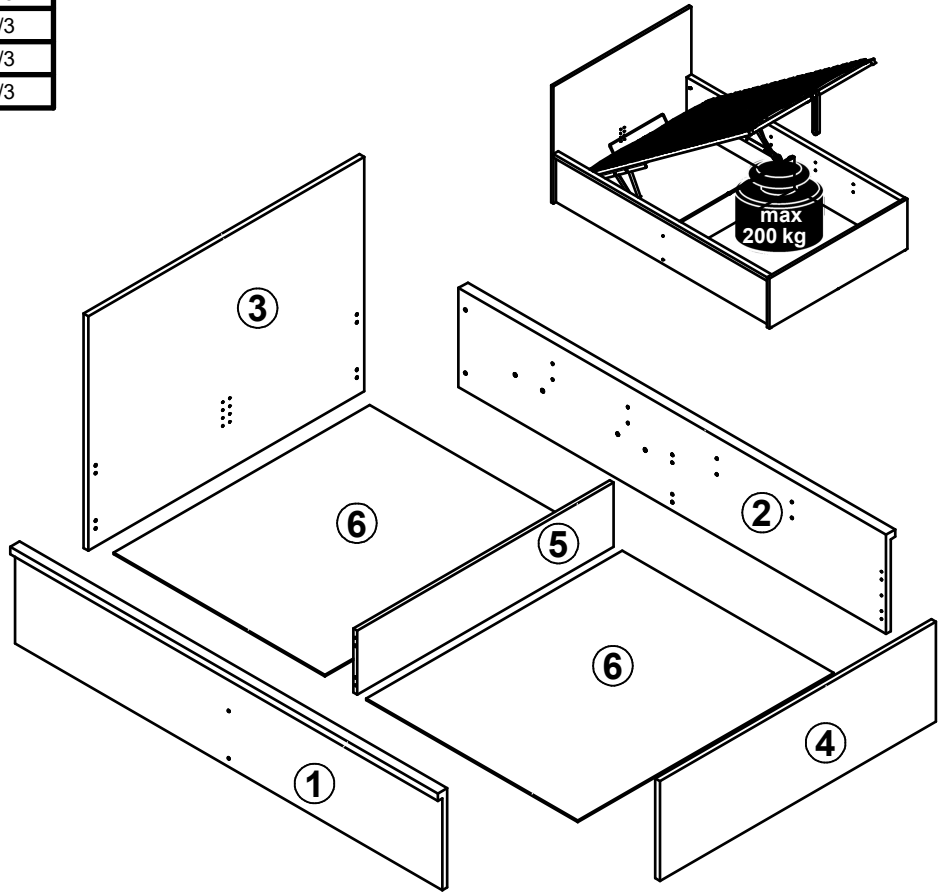
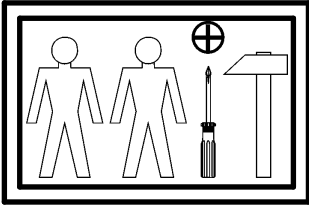


A

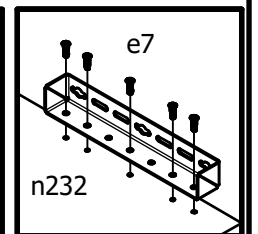
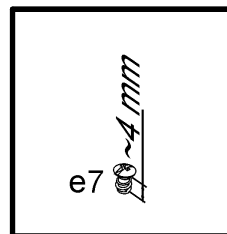
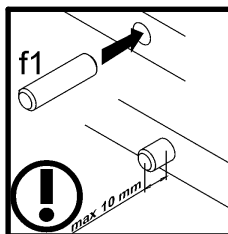
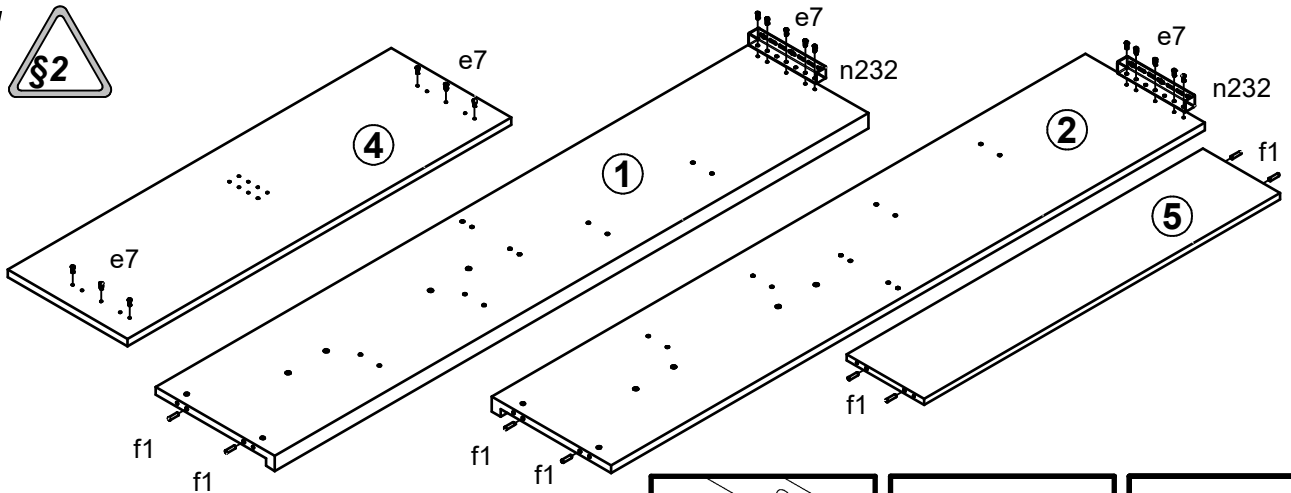
TETRIX

S442-LOZ/120/B

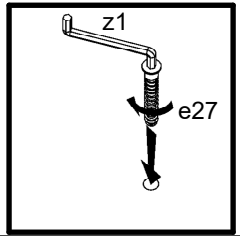
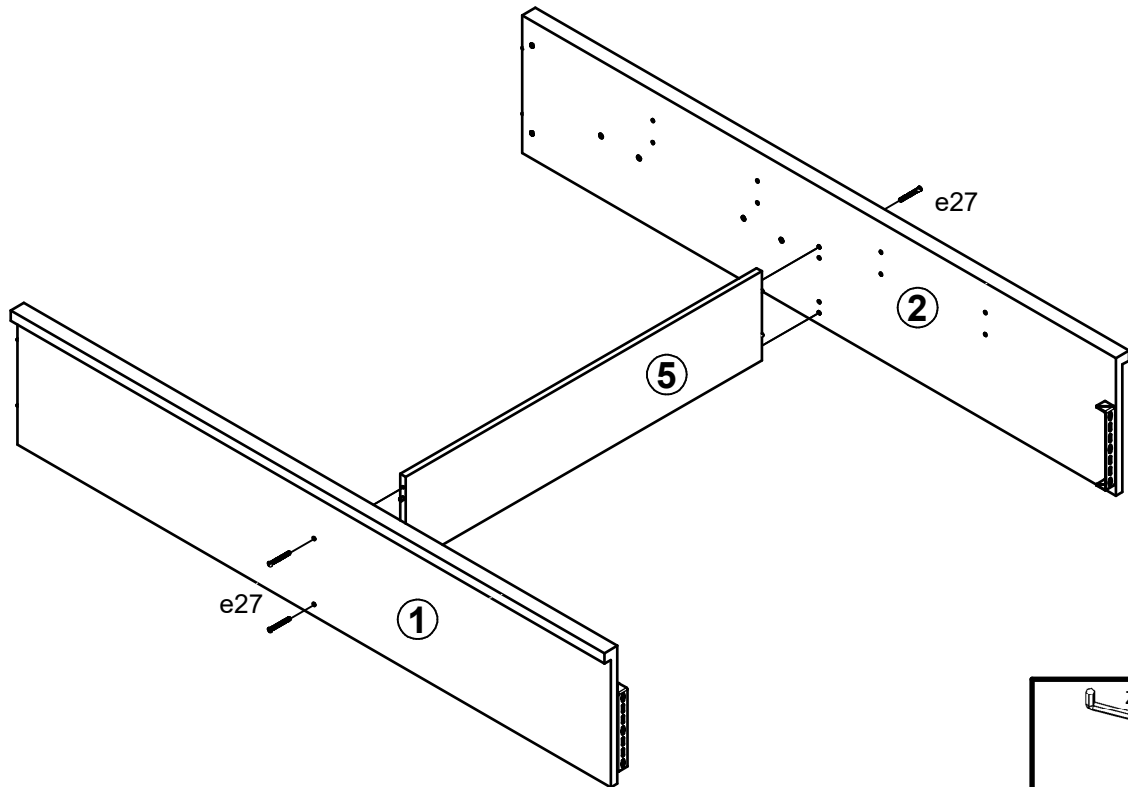
A	B	C	D	
1	S442-1001/A	2000	402	2/3
2	S442-1002/A	2000	402	2/3
3	S442-4007/A	1292	950	1/3
4	S442-4008	1292	404	1/3
5	S442-4009	1200	260	3/3
6	S442-9003	1198	989	3/3



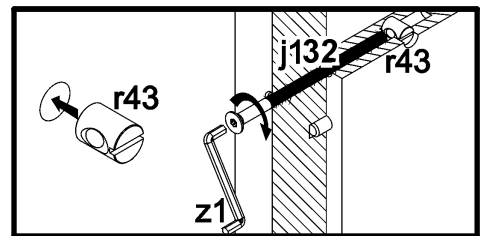
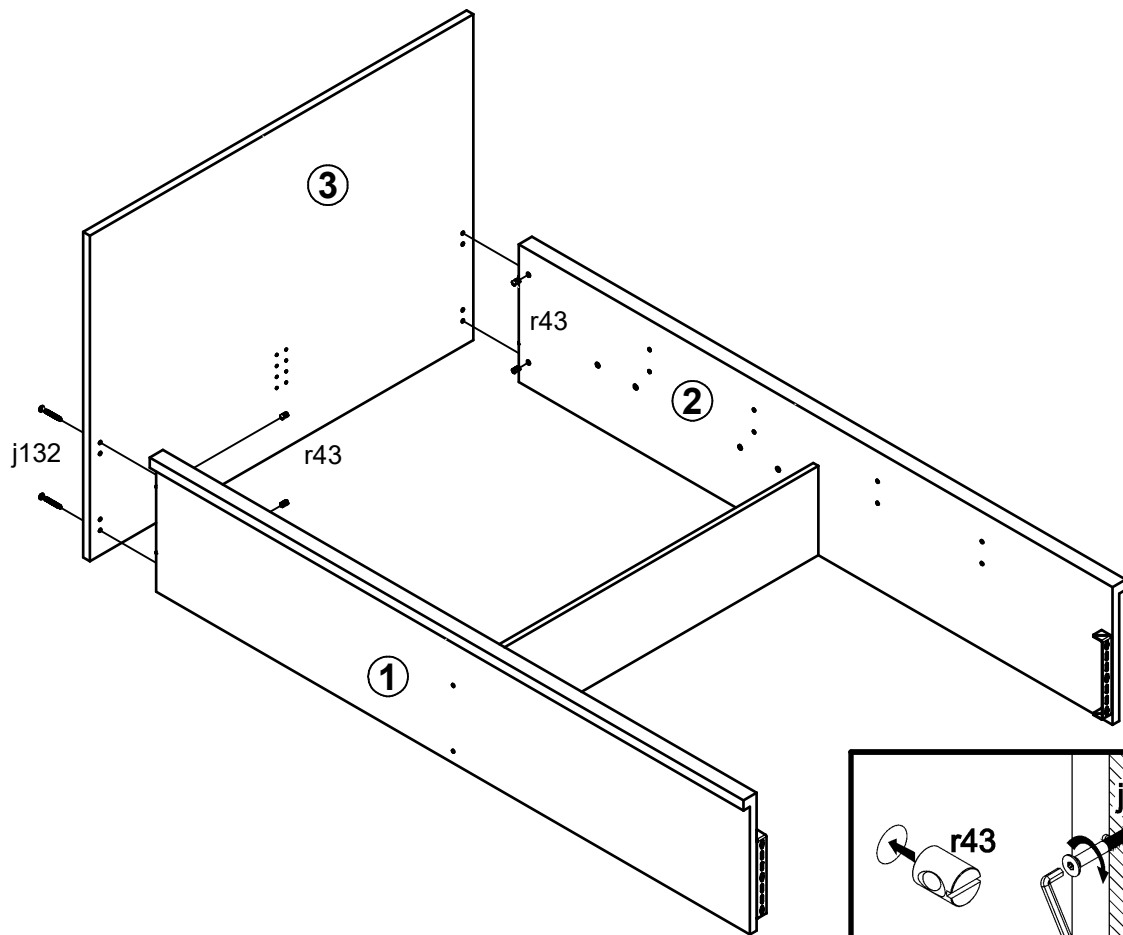
1 §2



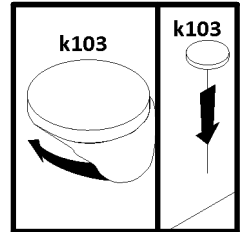
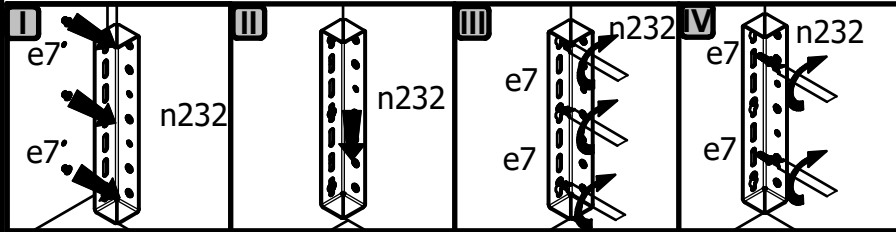
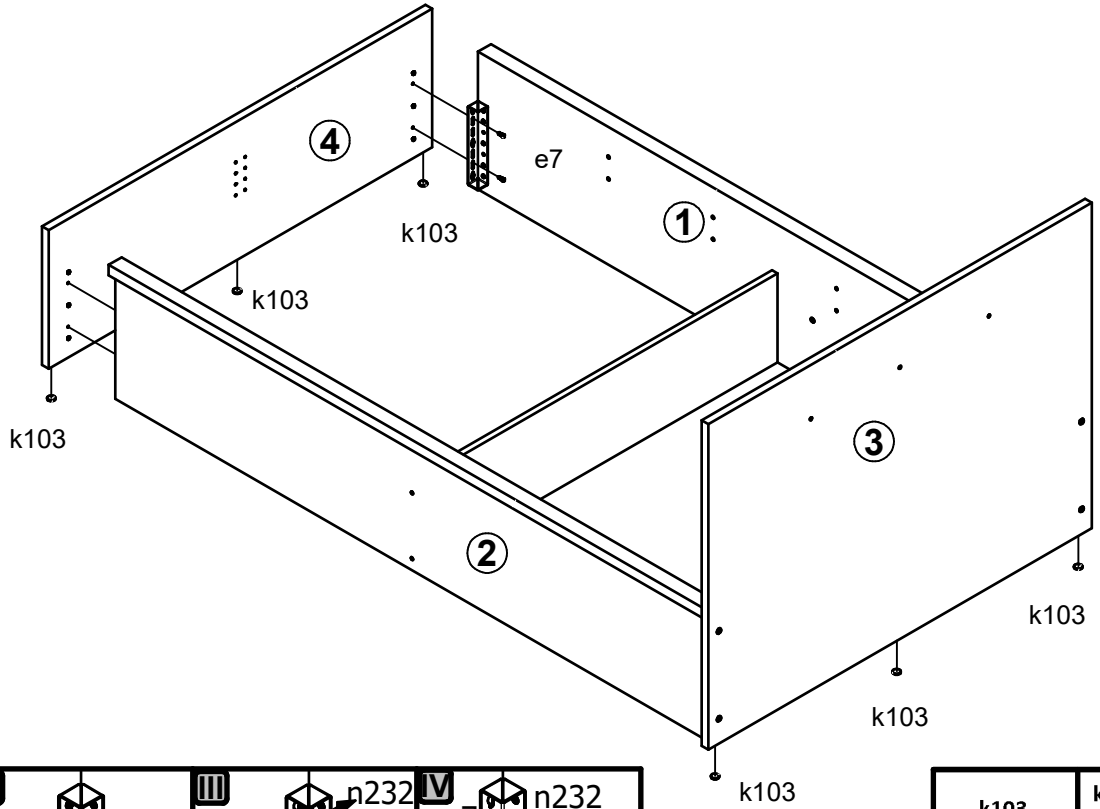
2



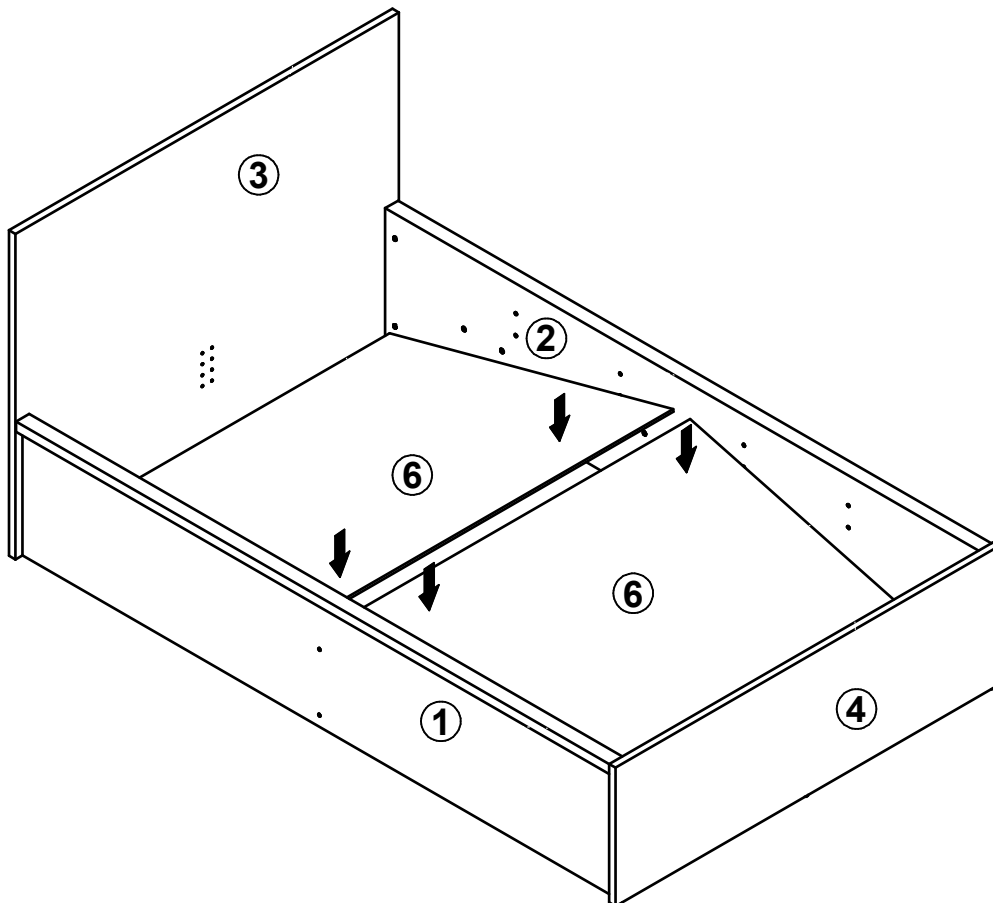
3



4



5



6

