

A

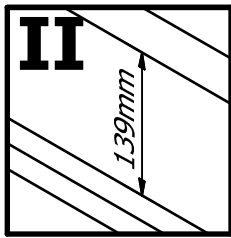
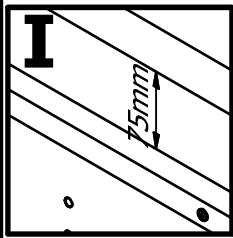
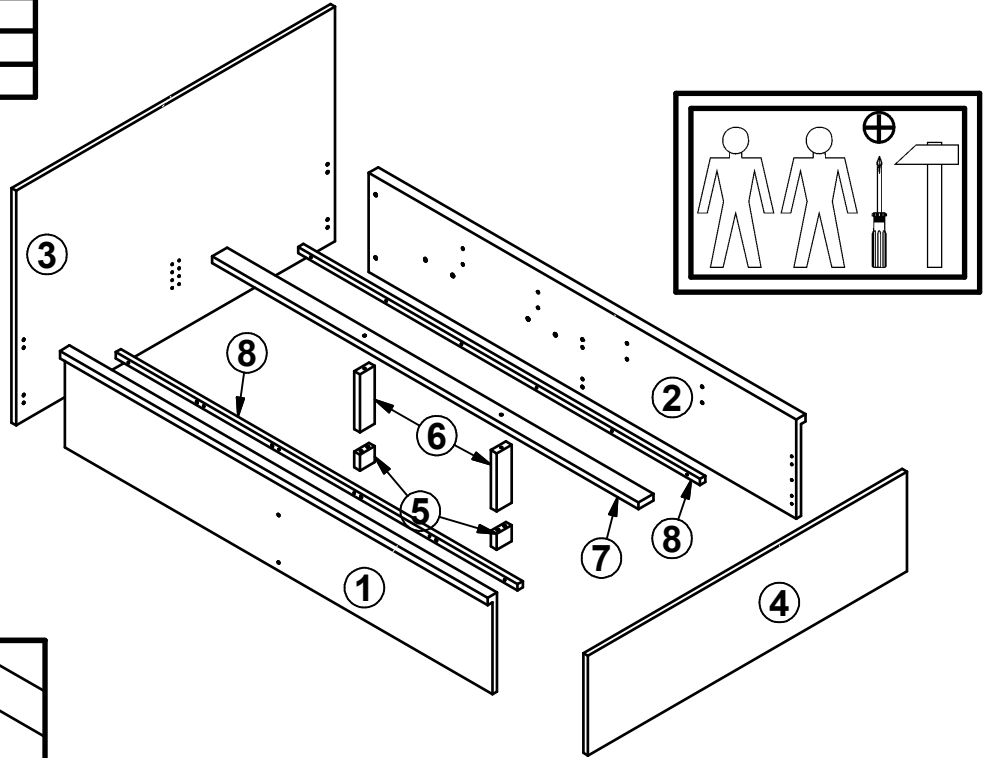
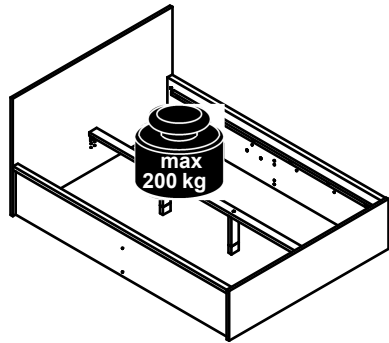
TETRIX

S442-LOZ/140/A S442-LOZ/140/B

A	B	C	D
1	S442-1001	2000	402
2	S442-1002	2000	402
3	S442-4005	1492	950
4	S442-4006	1492	404
5	ZZ1-431	64	70
6	ZZ1-464	235	70
7	ZZ1-718	1995	70
8	ZZ1-747	1880	25

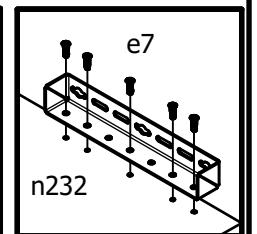
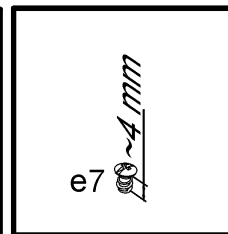
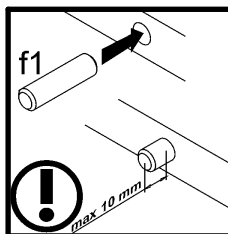
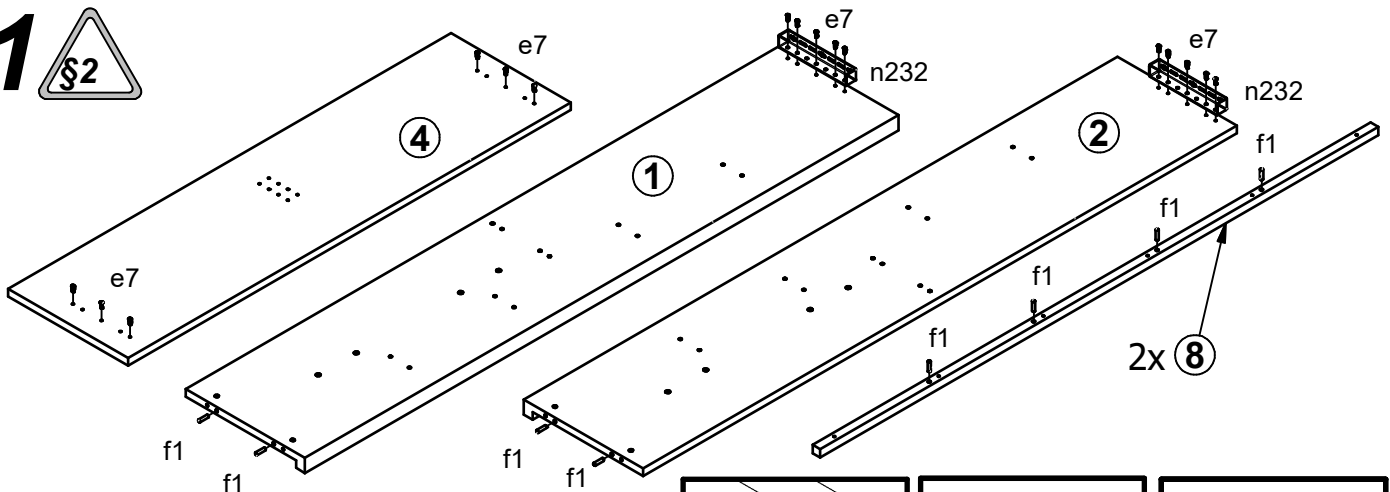


S442-LOZ/140/A

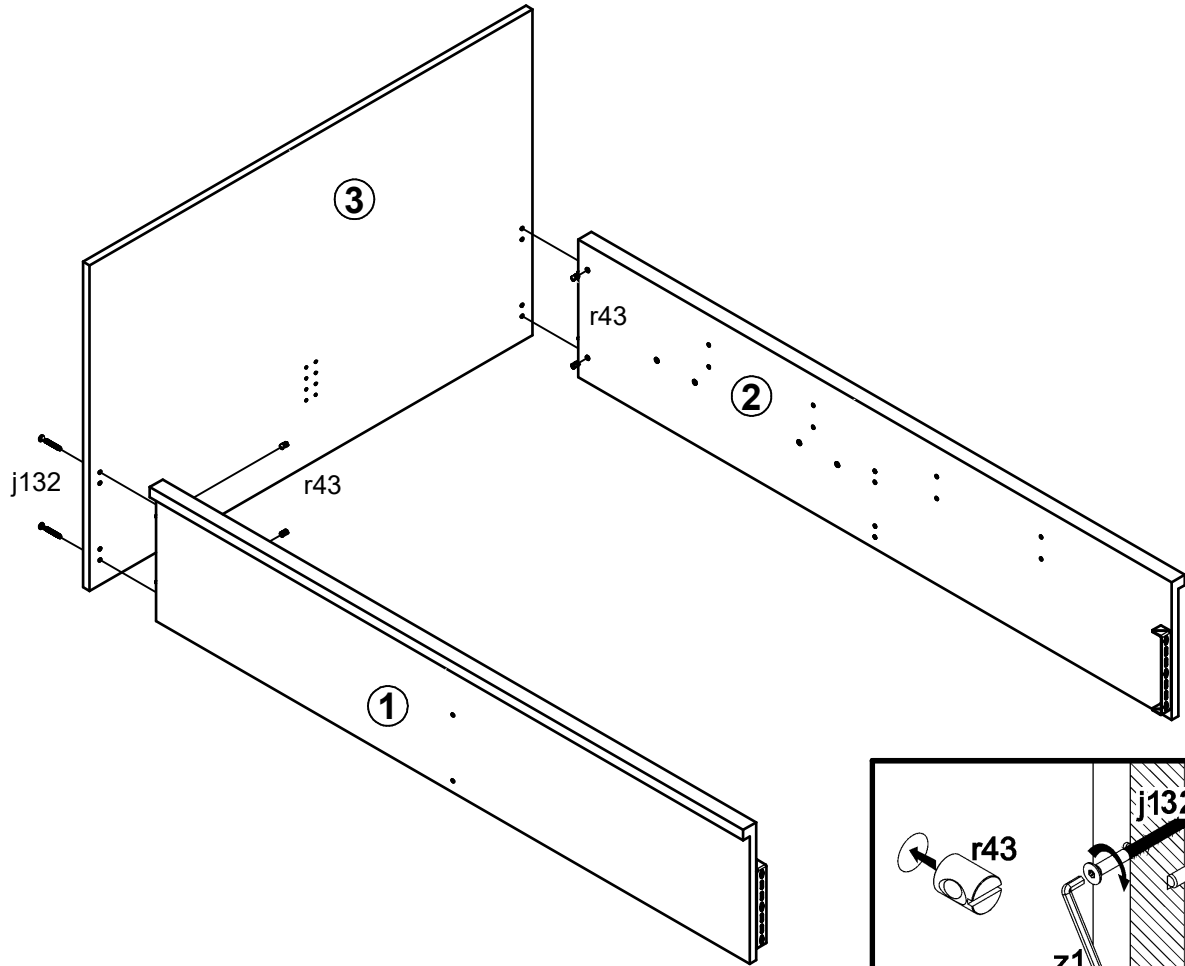


8x Ø6x13 mm e3	20x Ø6.3x16 mm e7	2x Ø7x60 mm e8	12x Ø8x30 mm f1	4x Ø8x50 mm f6	4x M6x65 mm j132	6x Ø20x3mm k103	2x 70x50x 45/2 mm n111	2x n232
12x Ø4x40 mm p10	4x Ø3.5x25 mm p16	6x Ø4x35 mm p6	4x Ø10x16 mm r43	4x Ø14x0.5 mm s59	1x 4 mm z1			

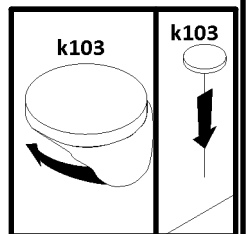
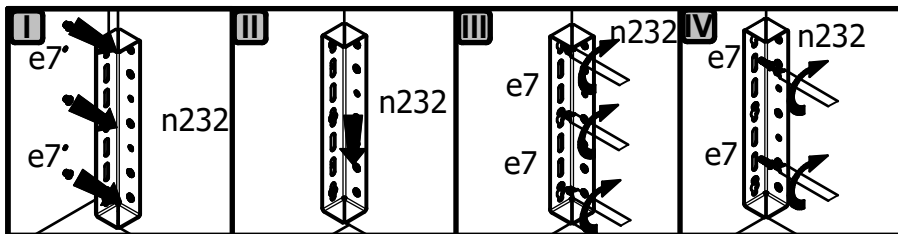
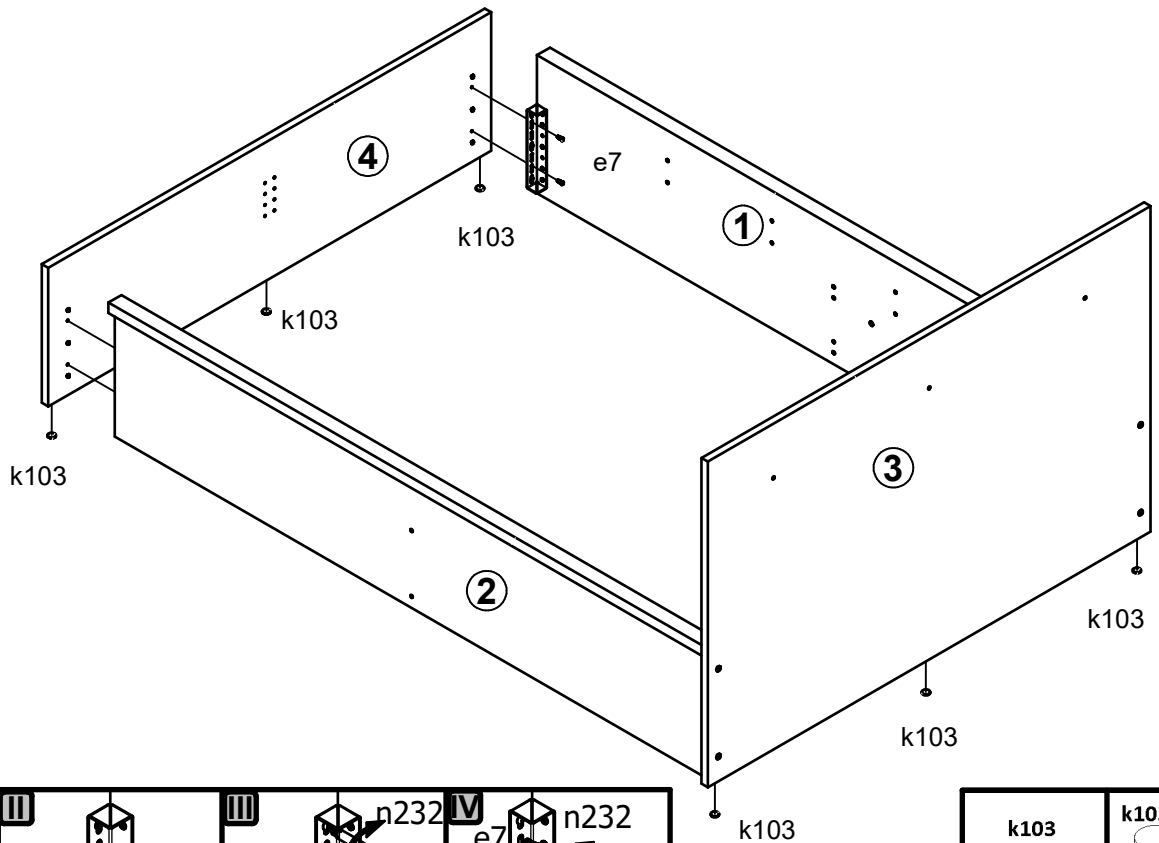
1 §2



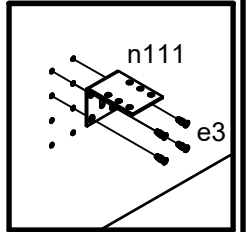
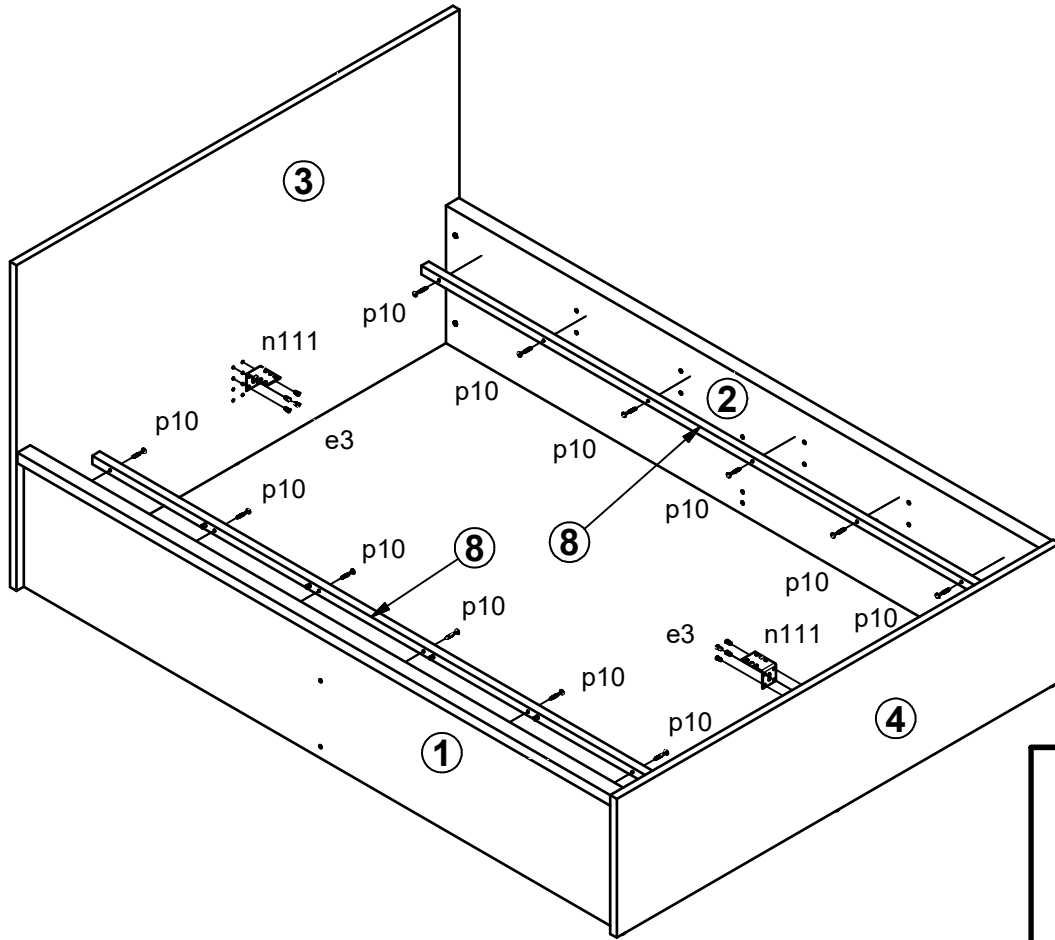
2



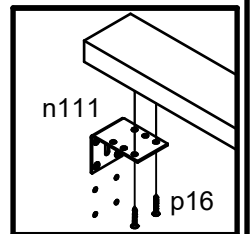
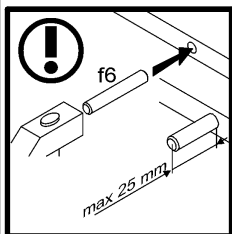
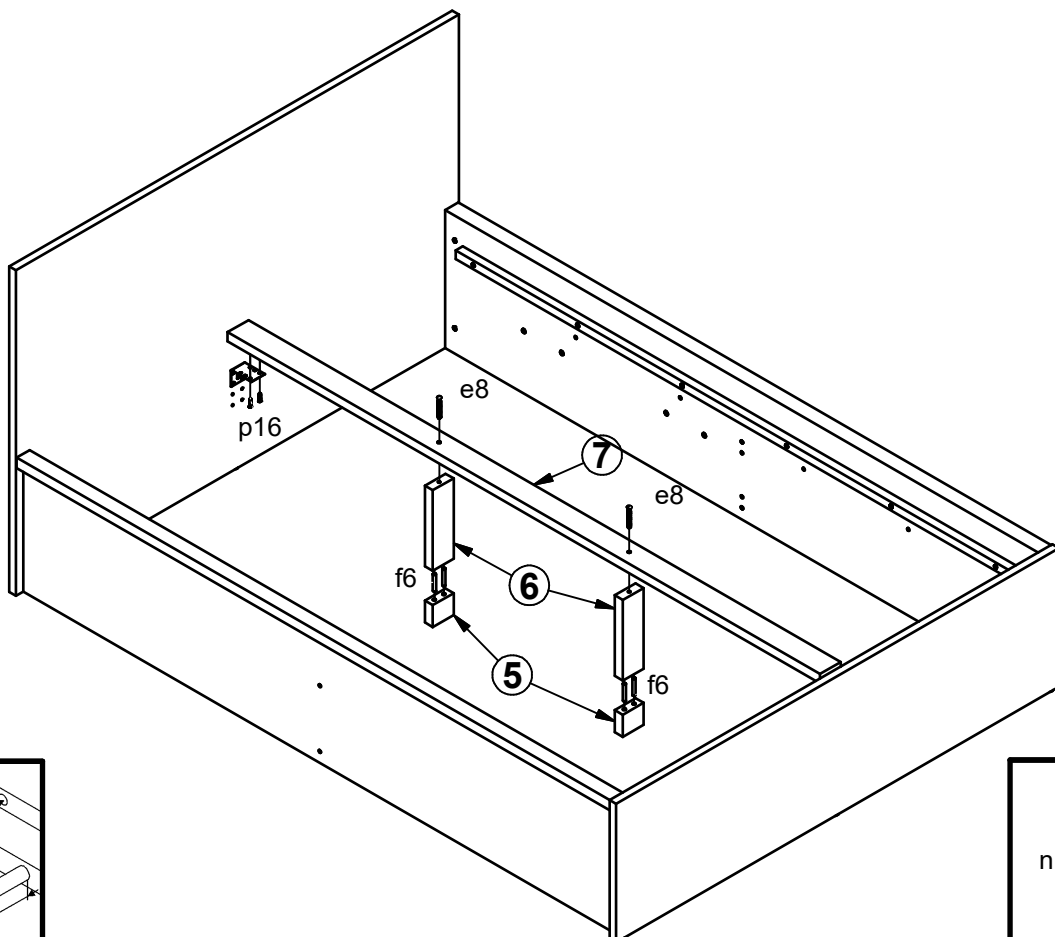
3



41



51



A

TETRIX

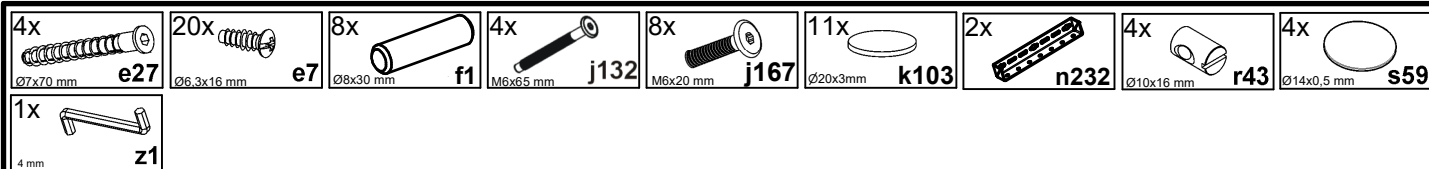
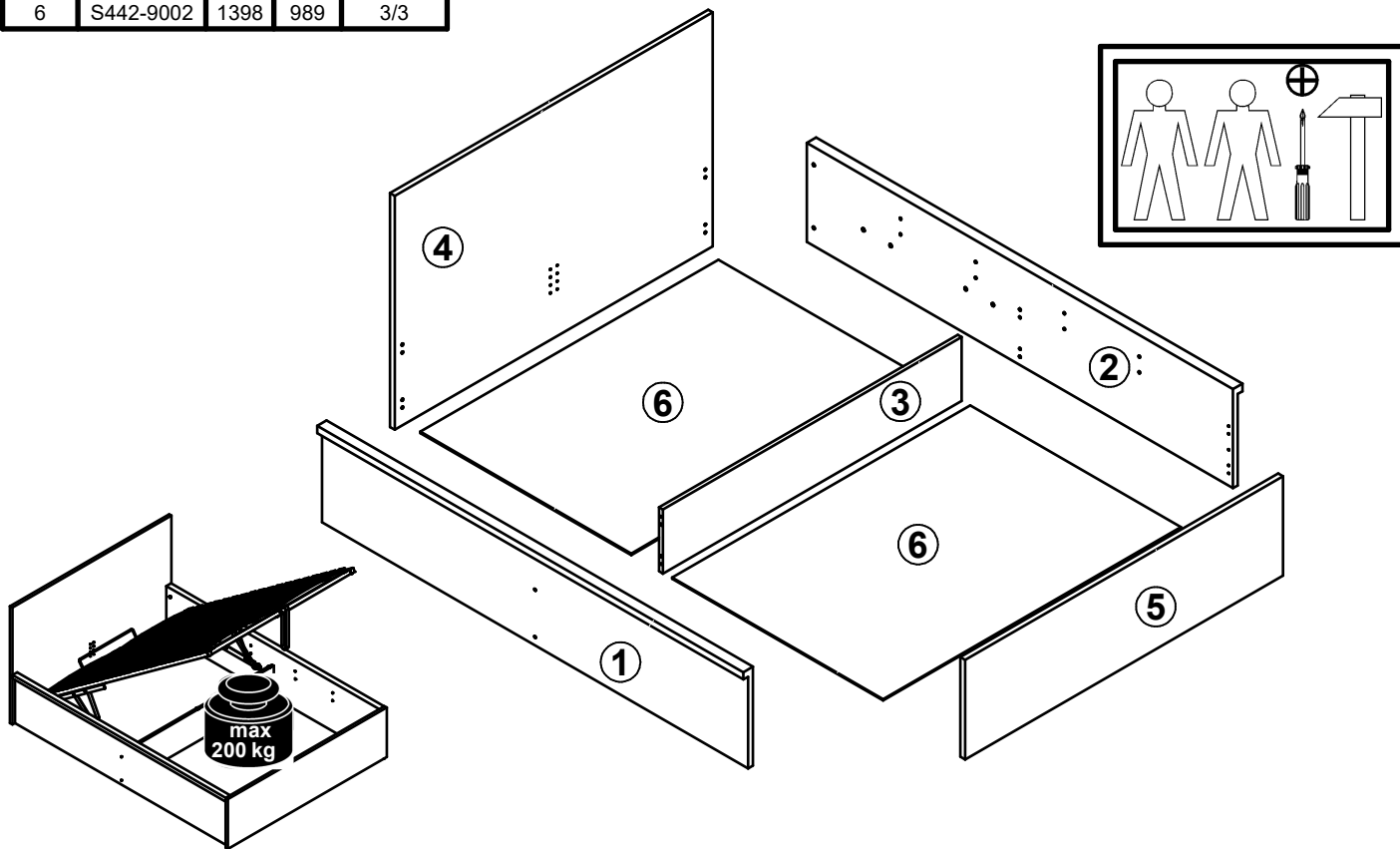
S442-LOZ/140/A

S442-LOZ/140/B

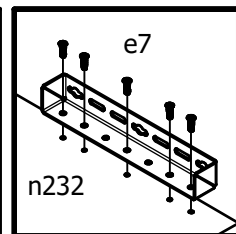
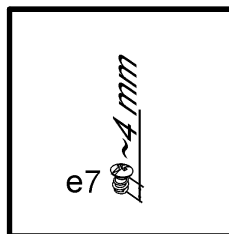
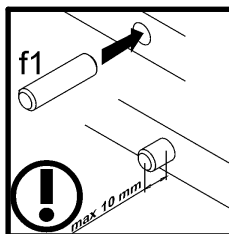
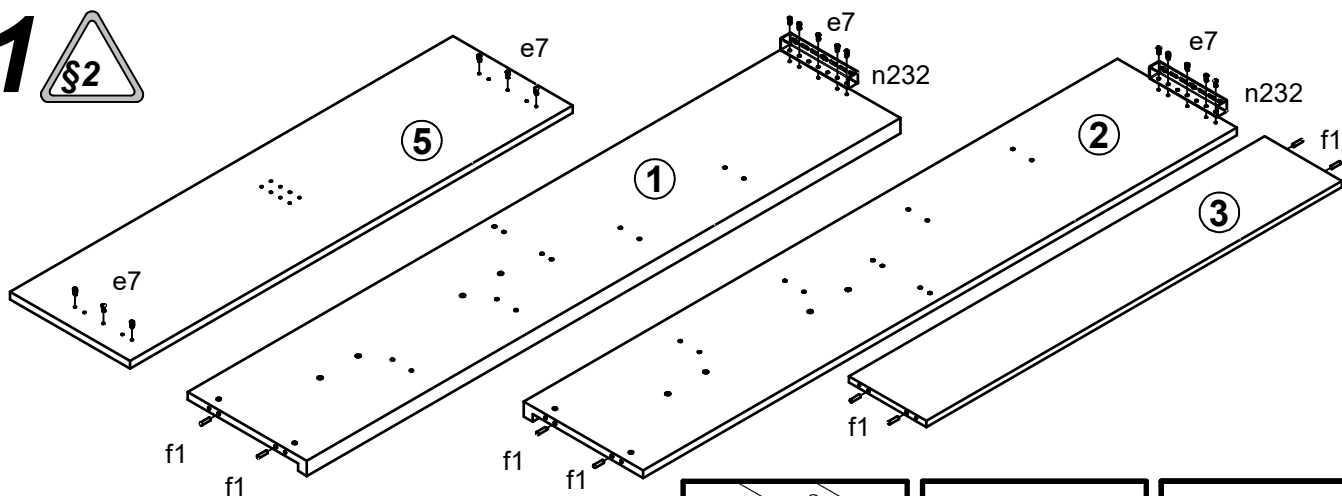
A	B	C	D
1	S442-1001	2000	402
2	S442-1002	2000	402
3	S442-4003	1400	260
4	S442-4005	1492	950
5	S442-4006	1492	404
6	S442-9002	1398	989



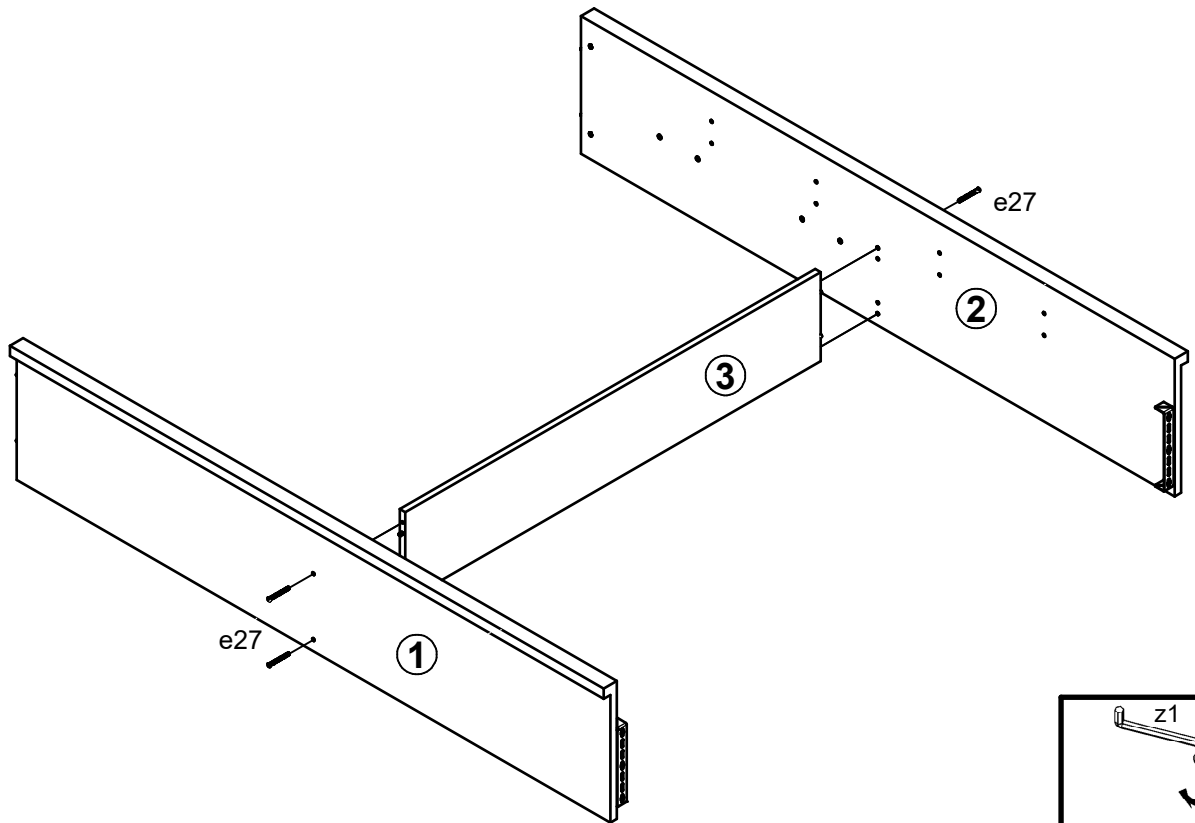
S442-LOZ/140/B



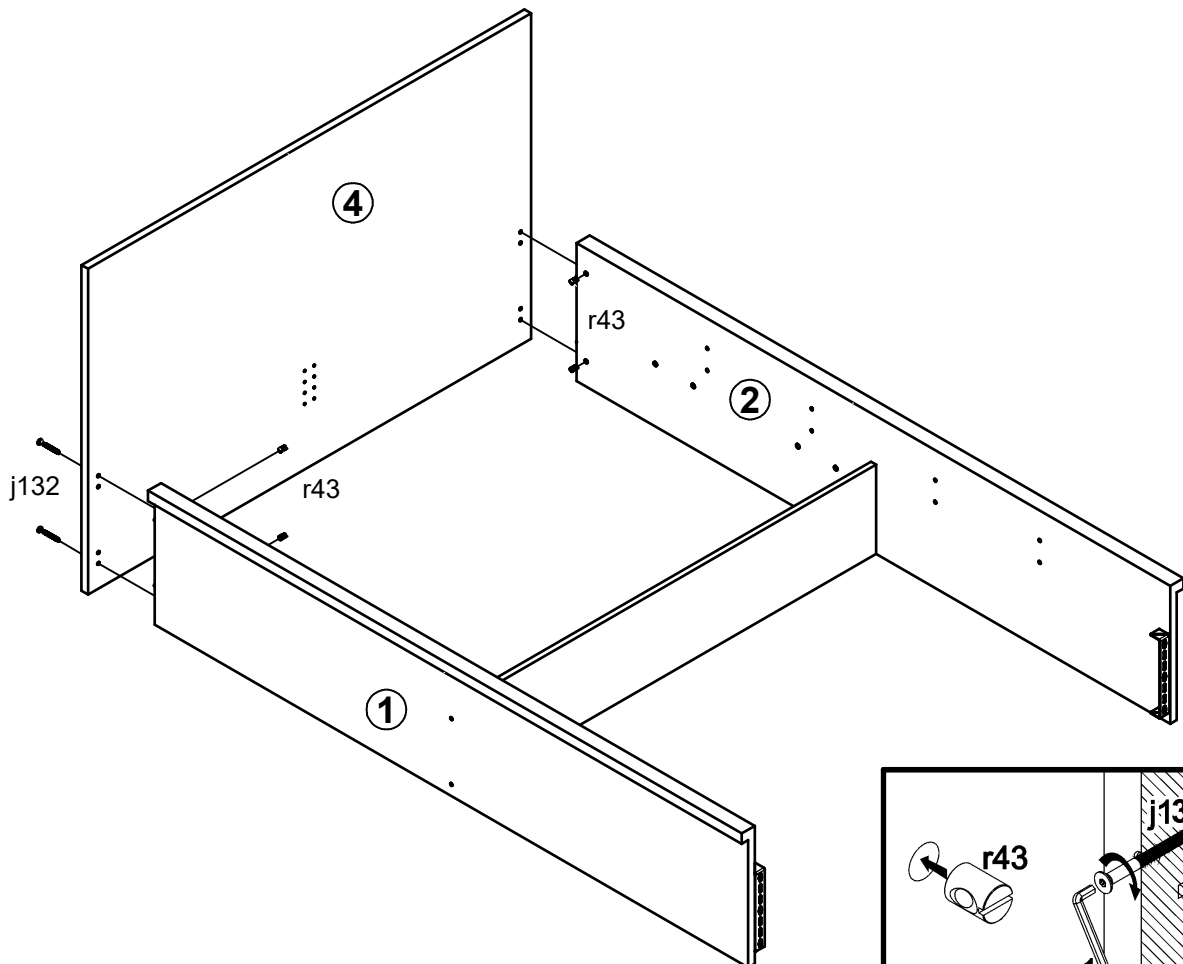
1 §2



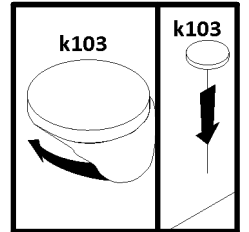
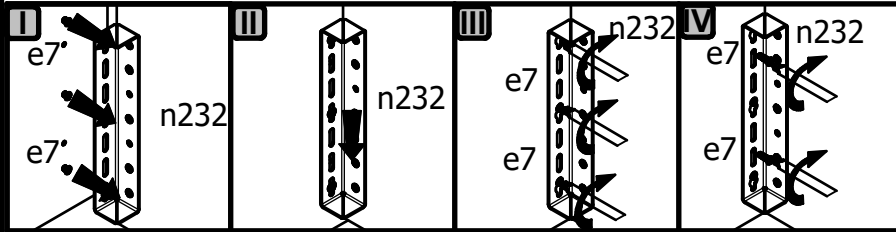
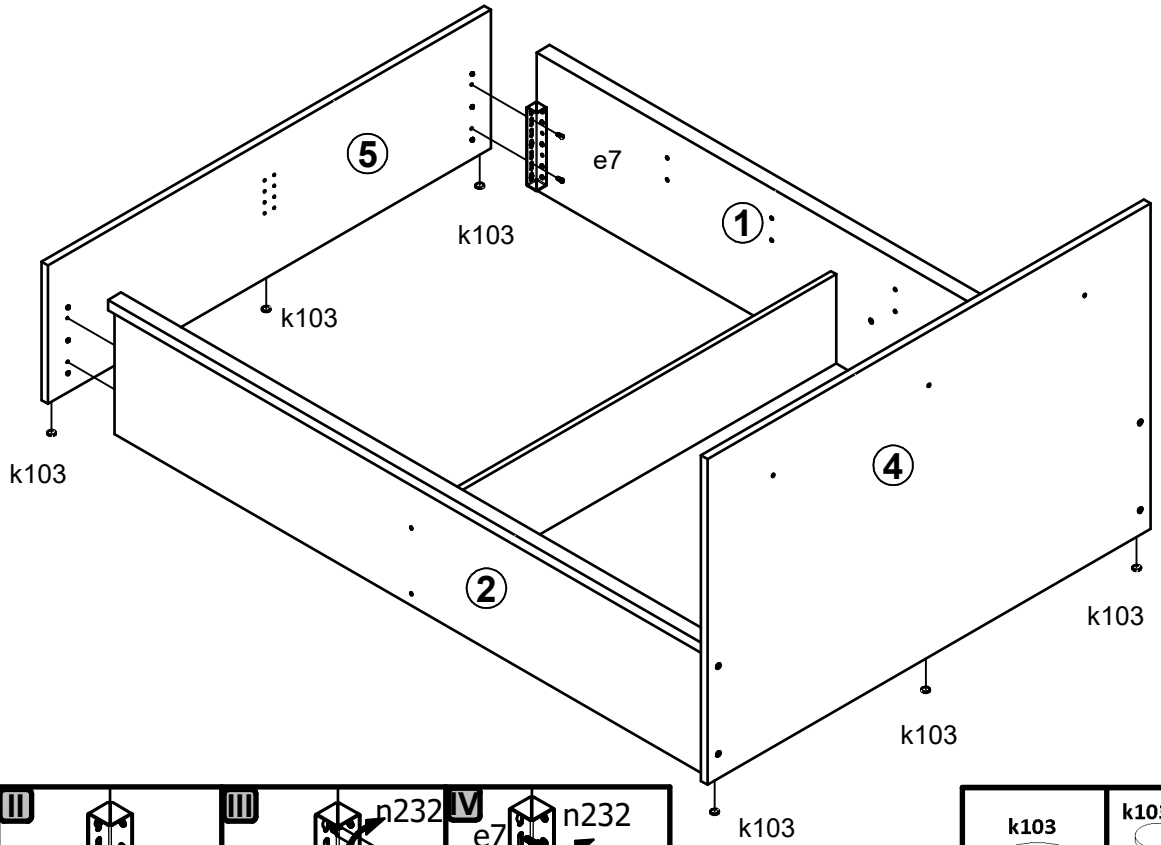
2



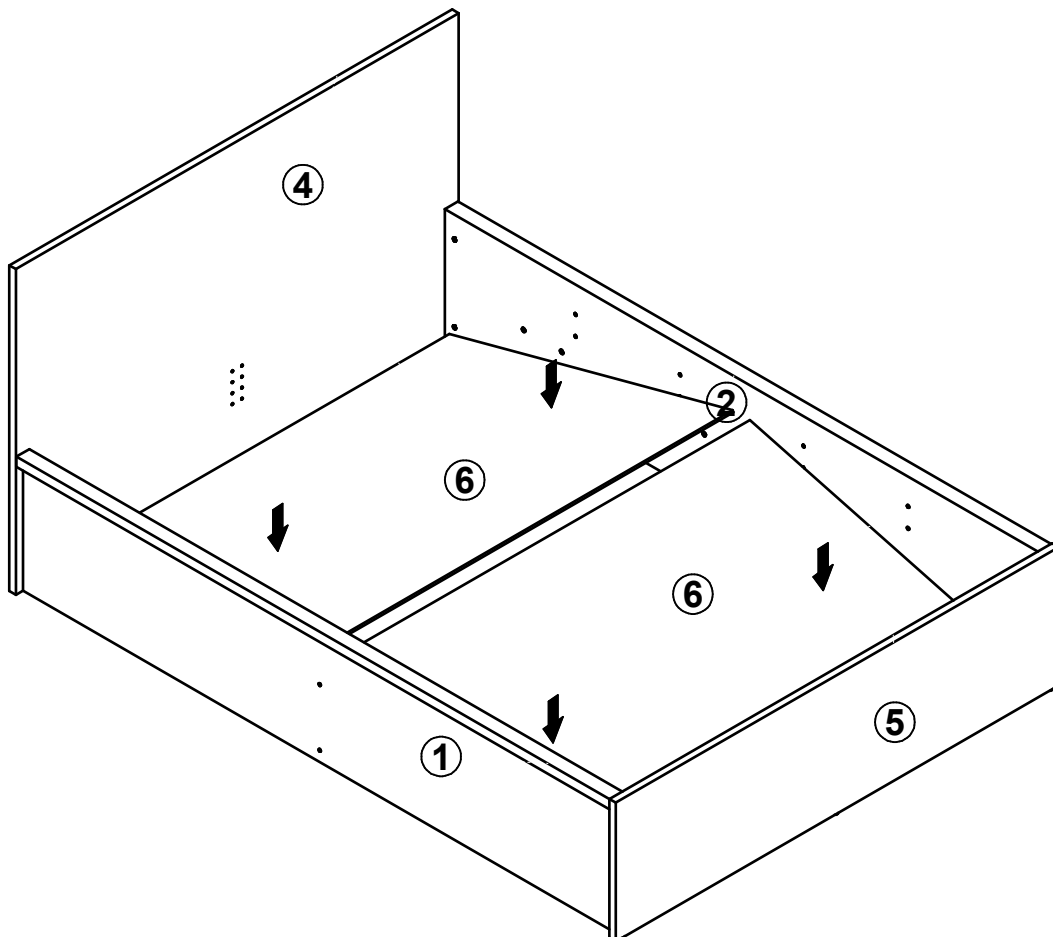
3



4

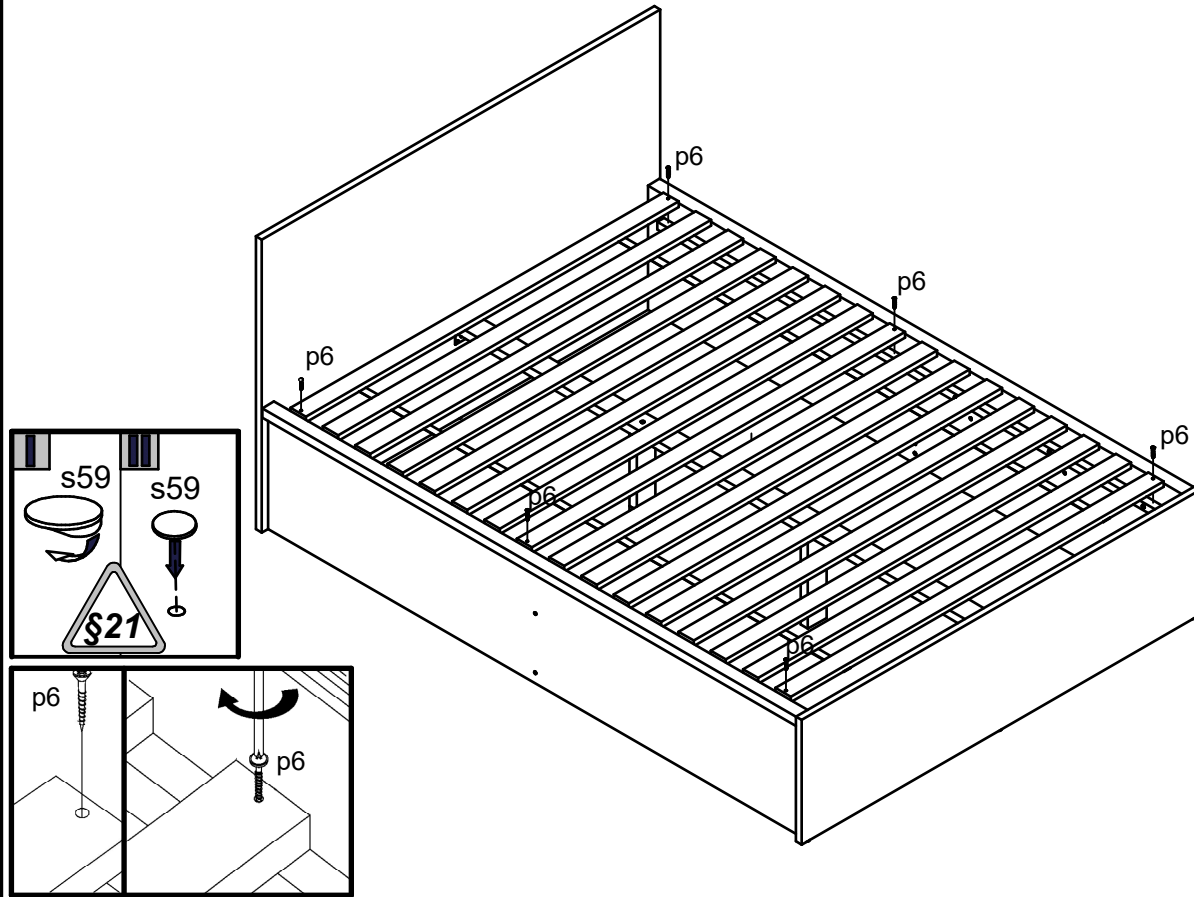


5



6

S442-LOZ/140/A



6

S442-LOZ/140/B

