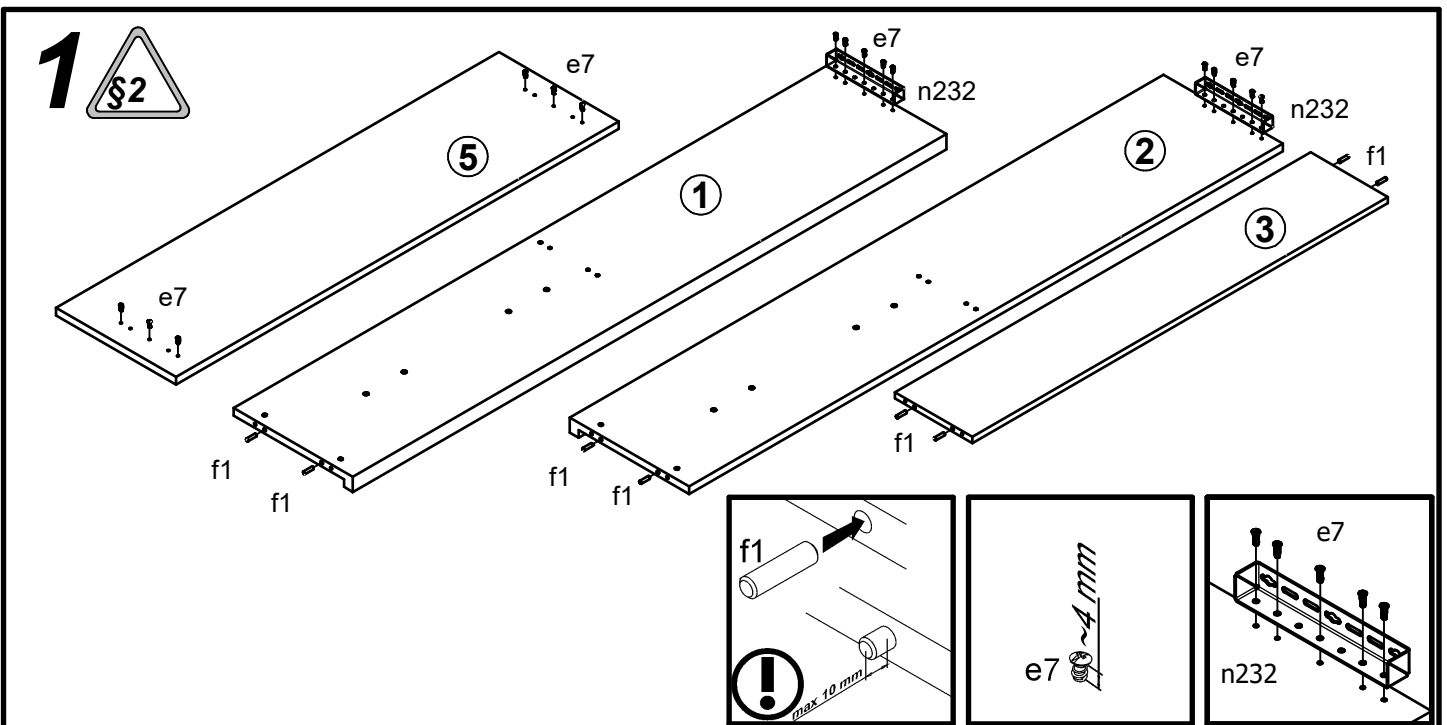
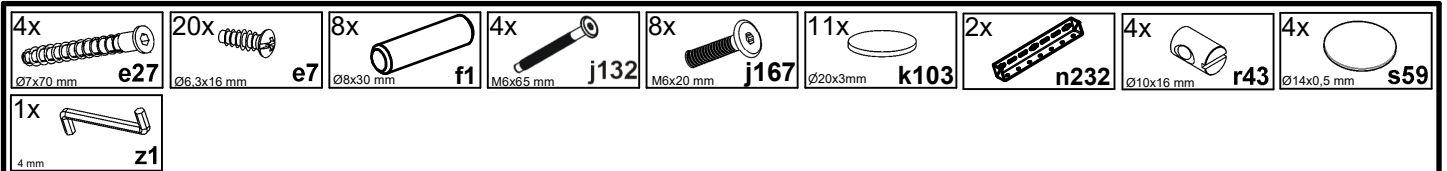
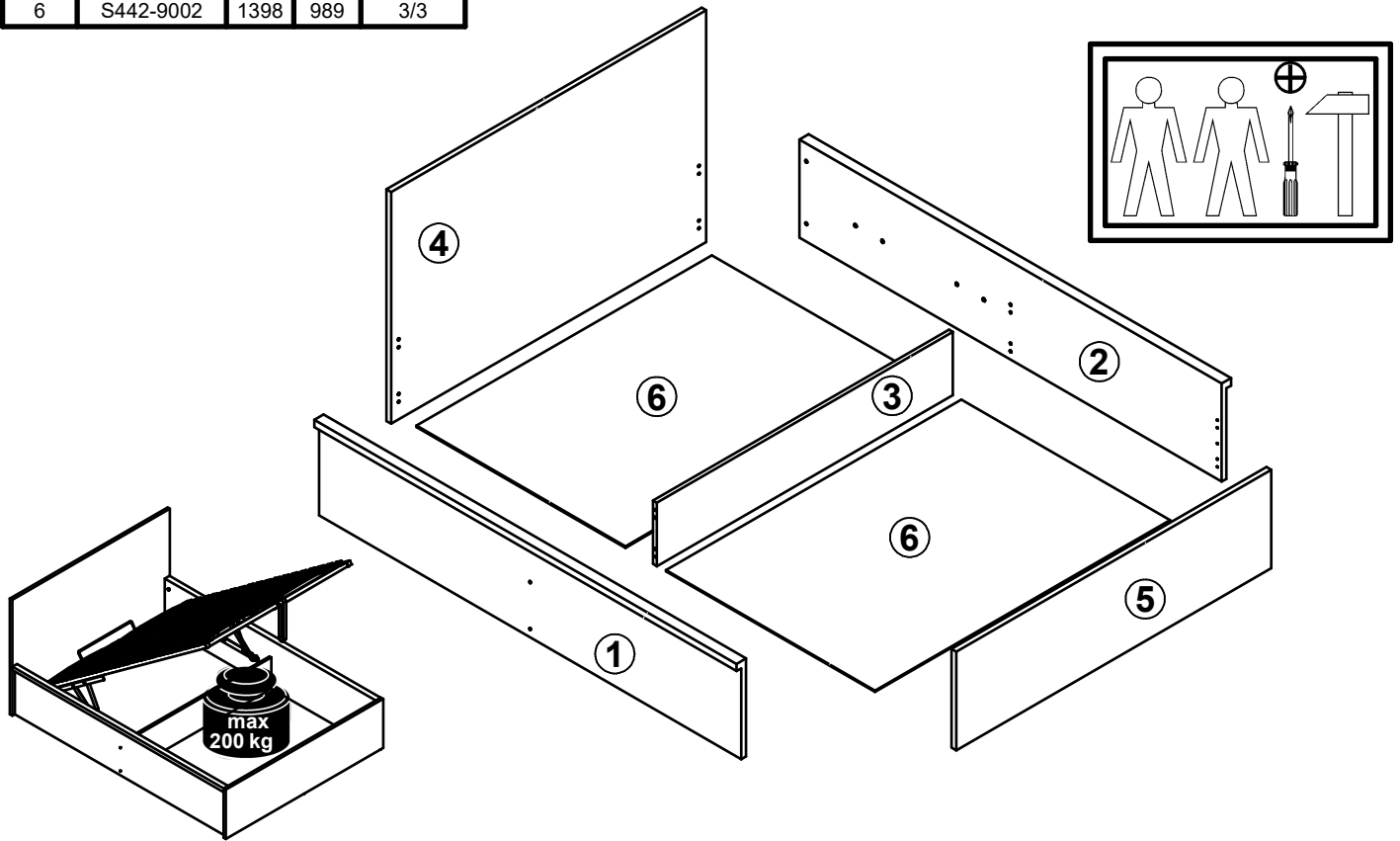
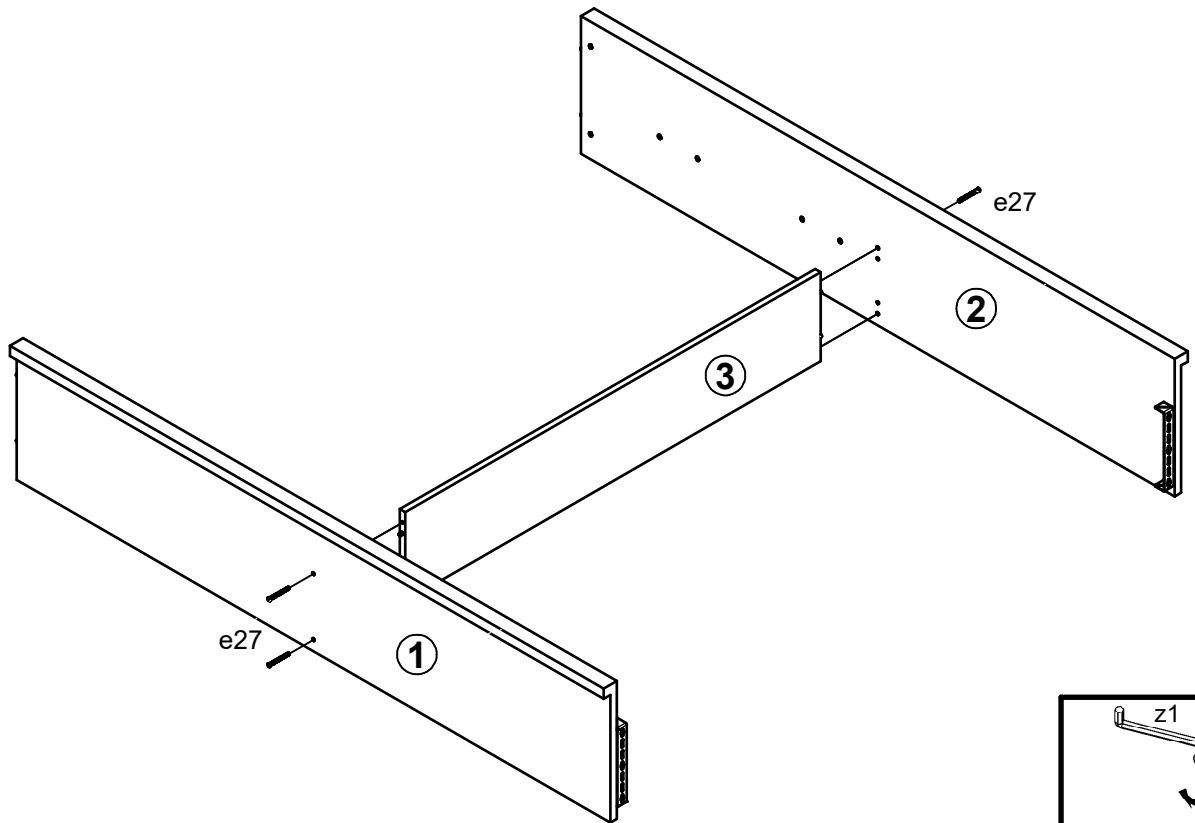


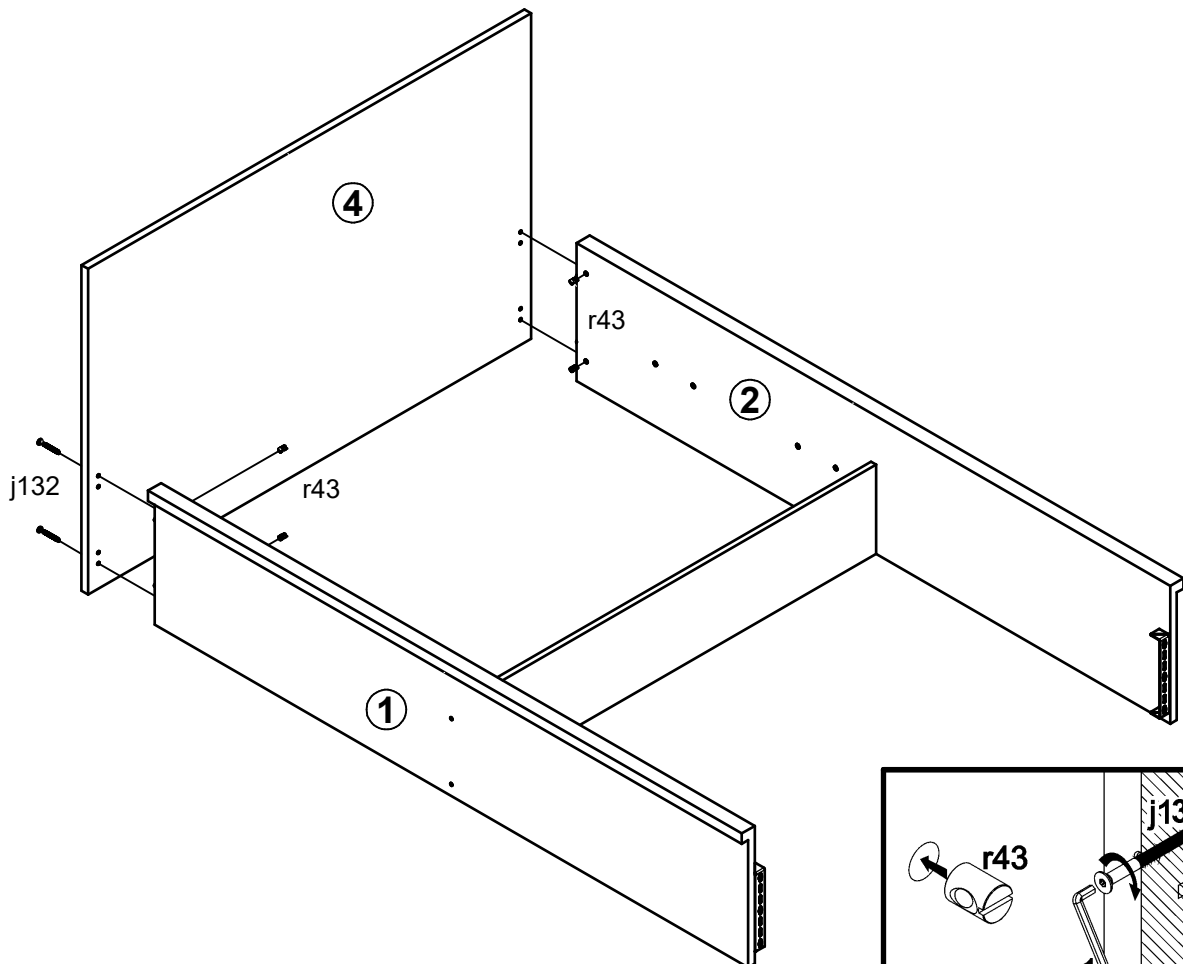
A	B	C	D	
1	S442-1001/A	2000	402	2/3
2	S442-1002/A	2000	402	2/3
3	S442-4003	1400	260	3/3
4	S442-4005/A	1492	950	1/3
5	S442-4006/A	1492	404	1/3
6	S442-9002	1398	989	3/3



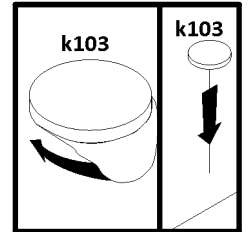
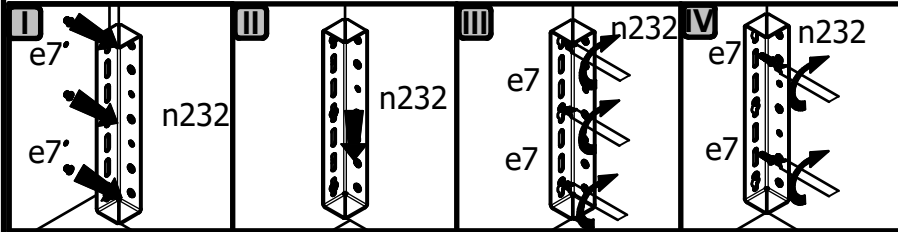
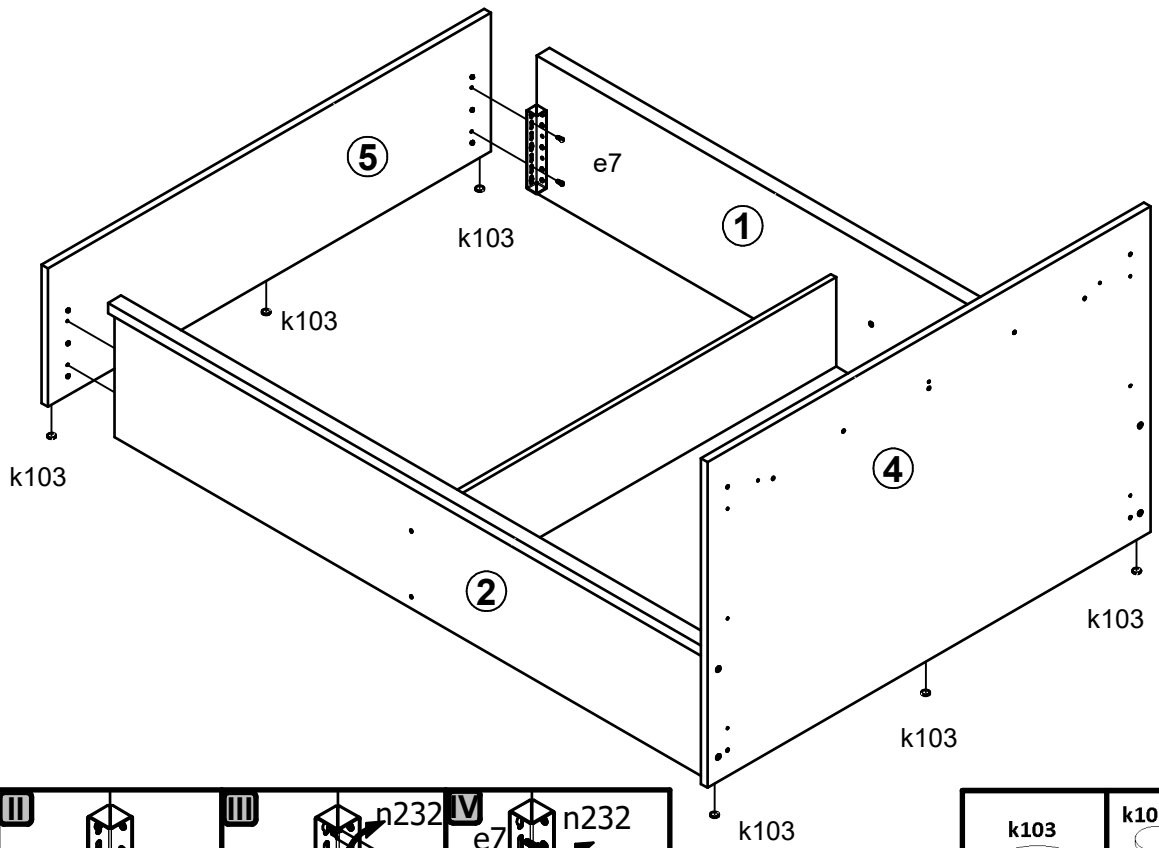
2



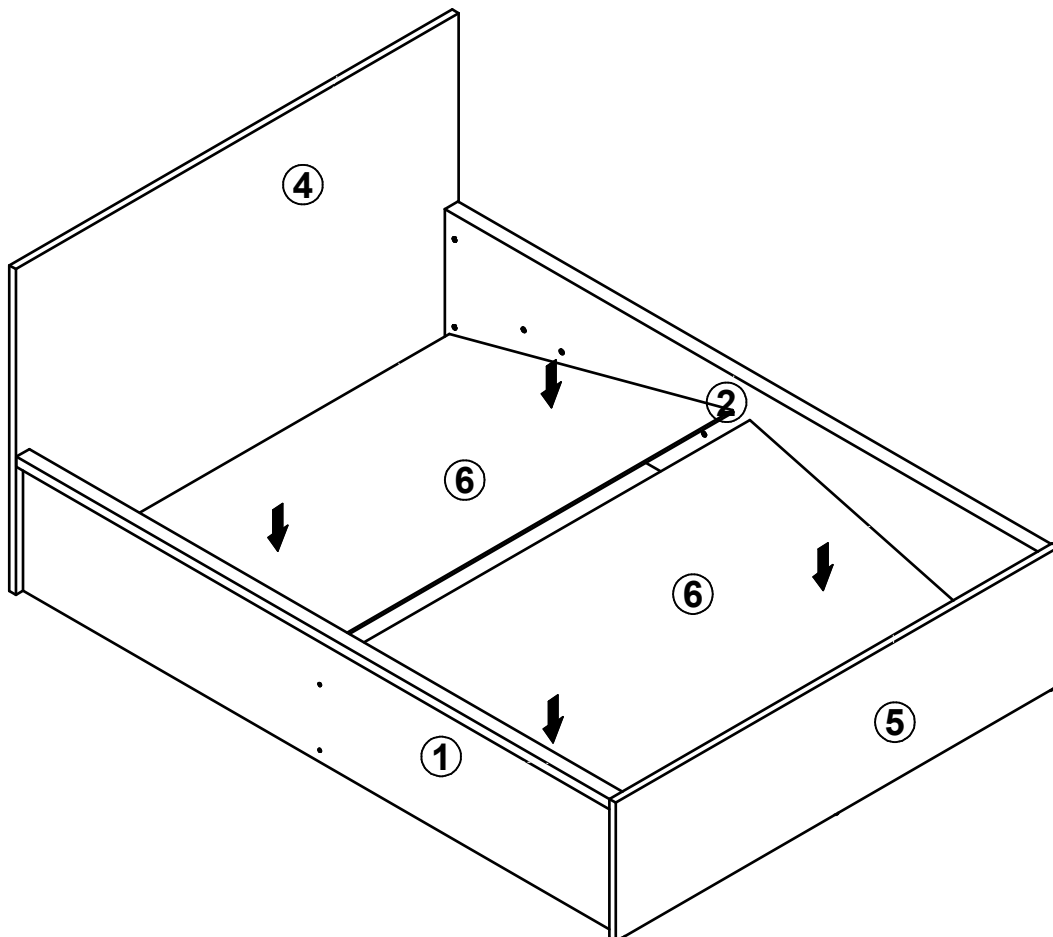
3



4



5



6

