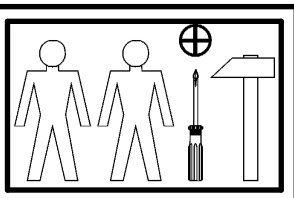
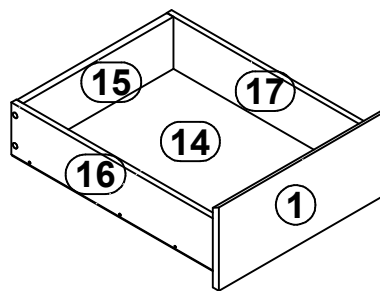
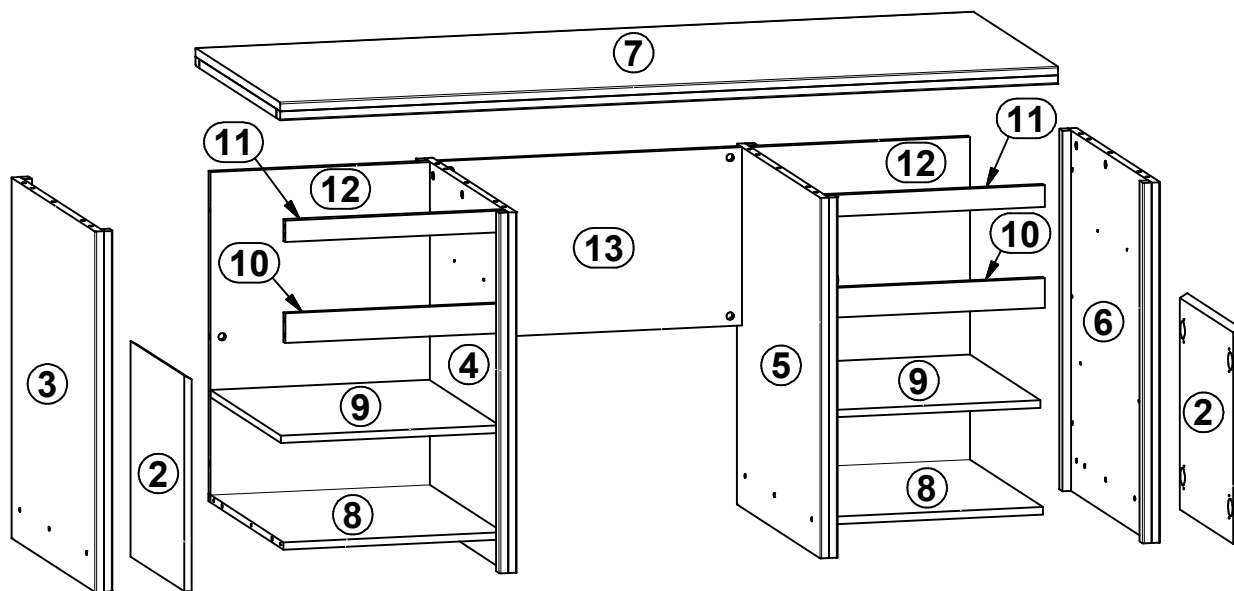
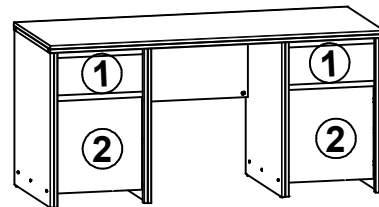


# KASPIAN

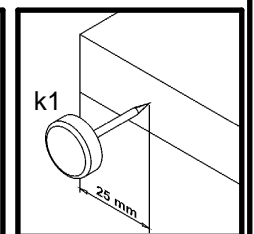
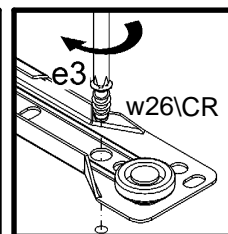
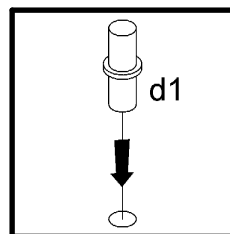
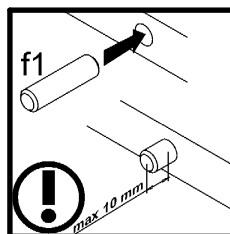
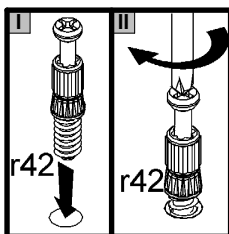
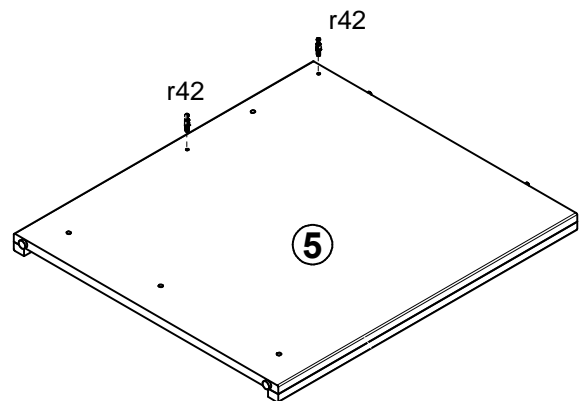
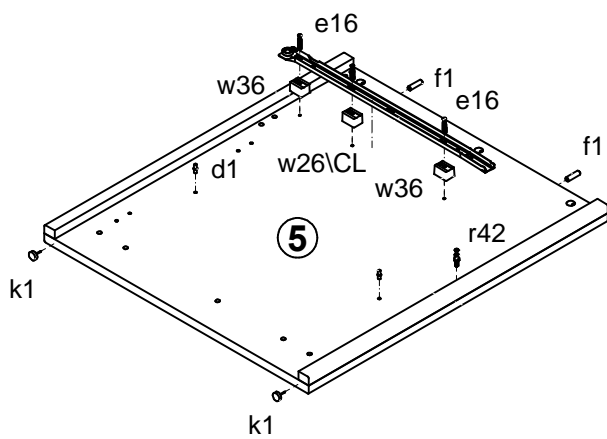
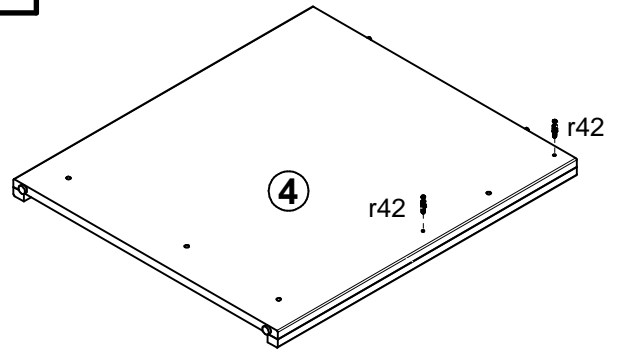
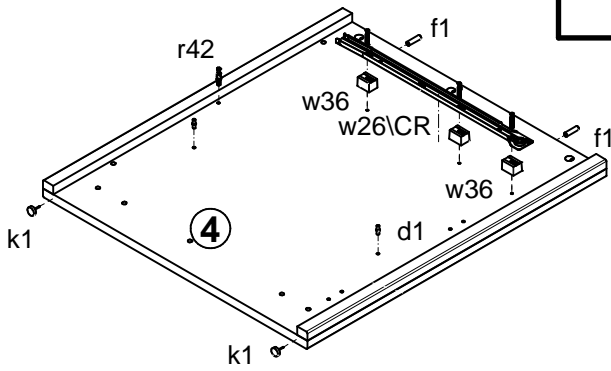
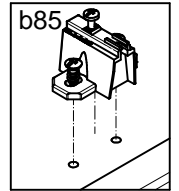
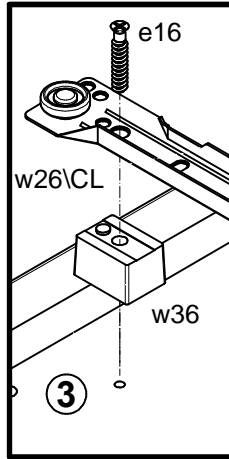
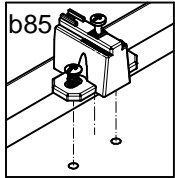
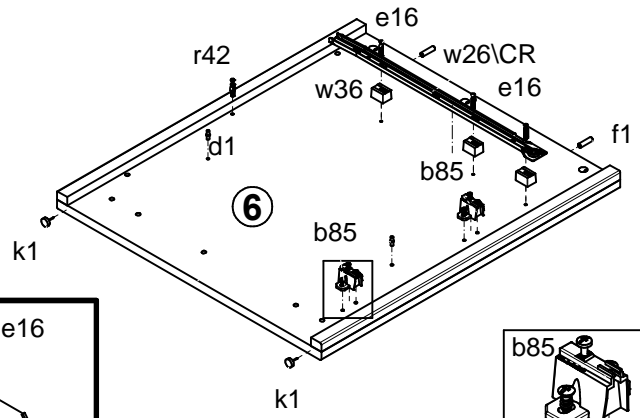
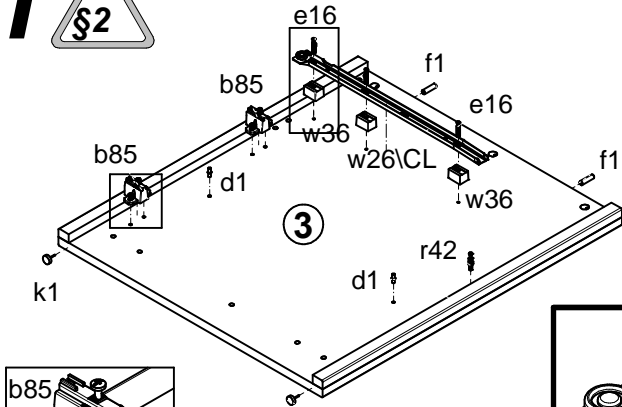
S128-BIU2D2S/160

| A  | B         | C1   | C2  | C3 | D   | A  | B         | C1  | C2   | C3  | D   |
|----|-----------|------|-----|----|-----|----|-----------|-----|------|-----|-----|
| 1  | S508-0014 | 410  | 176 | 15 | 4/4 | 11 | S508-4014 | 451 | 44   | 15  | 2/4 |
| 2  | S508-0015 | 410  | 436 | 15 | 4/4 | 12 | S508-4301 | 667 | 451, | 15  | 1/4 |
| 3  | S508-1046 | 728, | 644 | 36 | 1/4 | 13 | S508-4311 | 624 | 360  | 15  | 2/4 |
| 4  | S508-1047 | 728, | 644 | 36 | 1/4 | 14 | WSP-9300  | 386 | 505  | 2,5 | 2/4 |
| 5  | S508-1048 | 728, | 644 | 36 | 1/4 | 15 | ZS7-5036  | 366 | 110  | 15  | 3/4 |
| 6  | S508-1049 | 728, | 644 | 36 | 1/4 | 16 | ZS7-517   | 500 | 110  | 12  | 3/4 |
| 7  | S508-2015 | 1600 | 650 | 36 | 3/4 | 17 | ZS7-518   | 500 | 110  | 12  | 3/4 |
| 8  | S508-3024 | 451  | 577 | 15 | 2/4 |    |           |     |      |     |     |
| 9  | S508-3025 | 450  | 540 | 15 | 2/4 |    |           |     |      |     |     |
| 10 | S508-4013 | 451  | 60  | 15 | 2/4 |    |           |     |      |     |     |

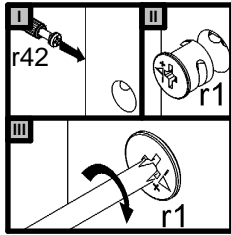
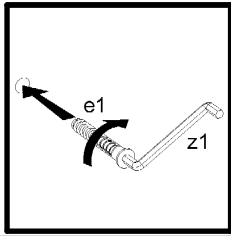
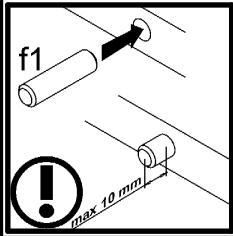
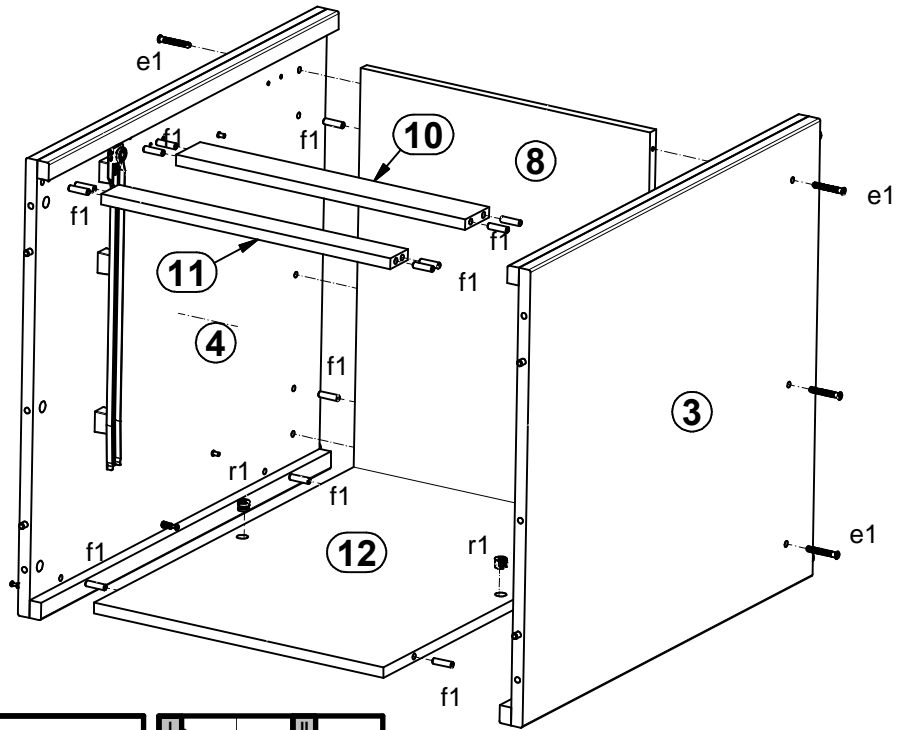


|                                  |                                  |                           |                             |                                |                                 |                               |                                  |                                  |
|----------------------------------|----------------------------------|---------------------------|-----------------------------|--------------------------------|---------------------------------|-------------------------------|----------------------------------|----------------------------------|
| 4x<br>K18 Ø35<br><br>a172        | 4x<br>Ø24,5<br><br>b85           | 8x<br><br>φ5x17 mm<br>d1  | 12x<br><br>φ7x50 mm<br>e1   | 12x<br><br>φ6x30 mm<br>e16     | 12x<br><br>φ5x9 mm<br>e19       | 4x<br><br>Ø35x62x40x10<br>S71 | 4x<br><br>Ø6x30 mm<br>f9         | 42x<br><br>φ8x30 mm<br>f1        |
| 8x<br><br>φ6,5x40 mm<br>f25      | 8x<br><br>k1                     | 10x<br><br>l1             | 8x<br><br>φ3,5x15 mm<br>p51 | 20x<br><br>φ1,5x12mm #16<br>r1 | 8x<br><br>φ12x10,5mm #12<br>r15 | 28x<br><br>r42                | 2x<br>500 mm<br>w26\CL<br>w26\CL | 2x<br>500 mm<br>w26\CR<br>w26\CR |
| 2x<br>500 mm<br>w26\DL<br>w26\DL | 2x<br>500 mm<br>w26\DR<br>w26\DR | 12x<br><br>h=18 mm<br>w36 | 1x<br><br>z1                | 12x<br><br>s1                  | 8x<br>Ø16<br>s2<br>s2           |                               |                                  |                                  |

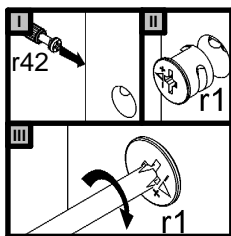
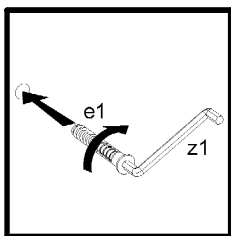
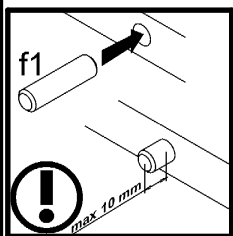
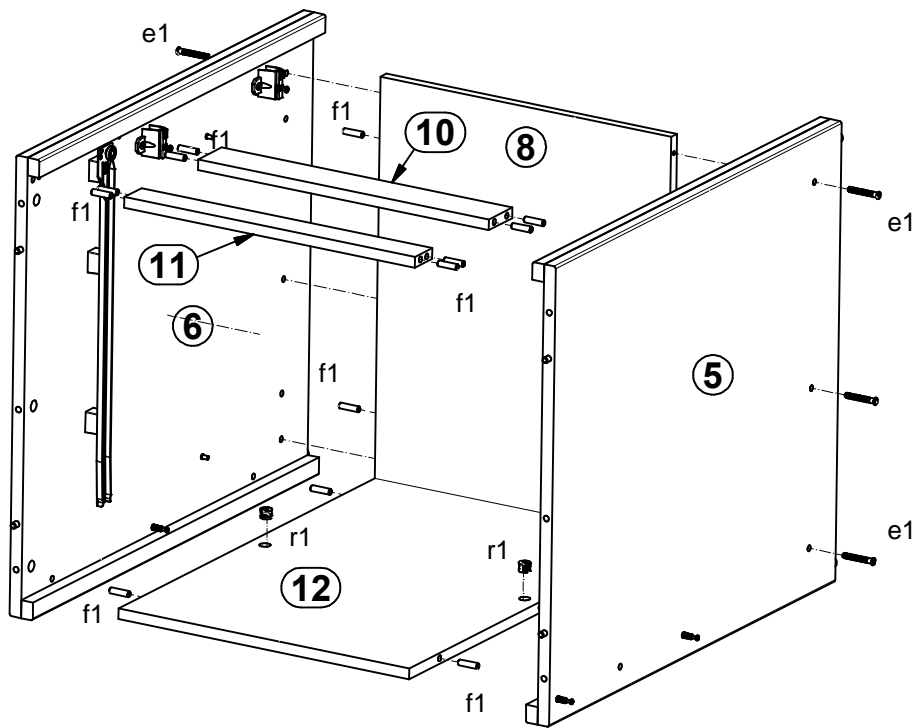
1 §2



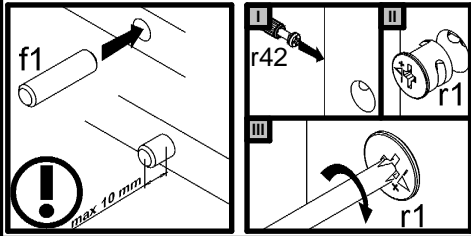
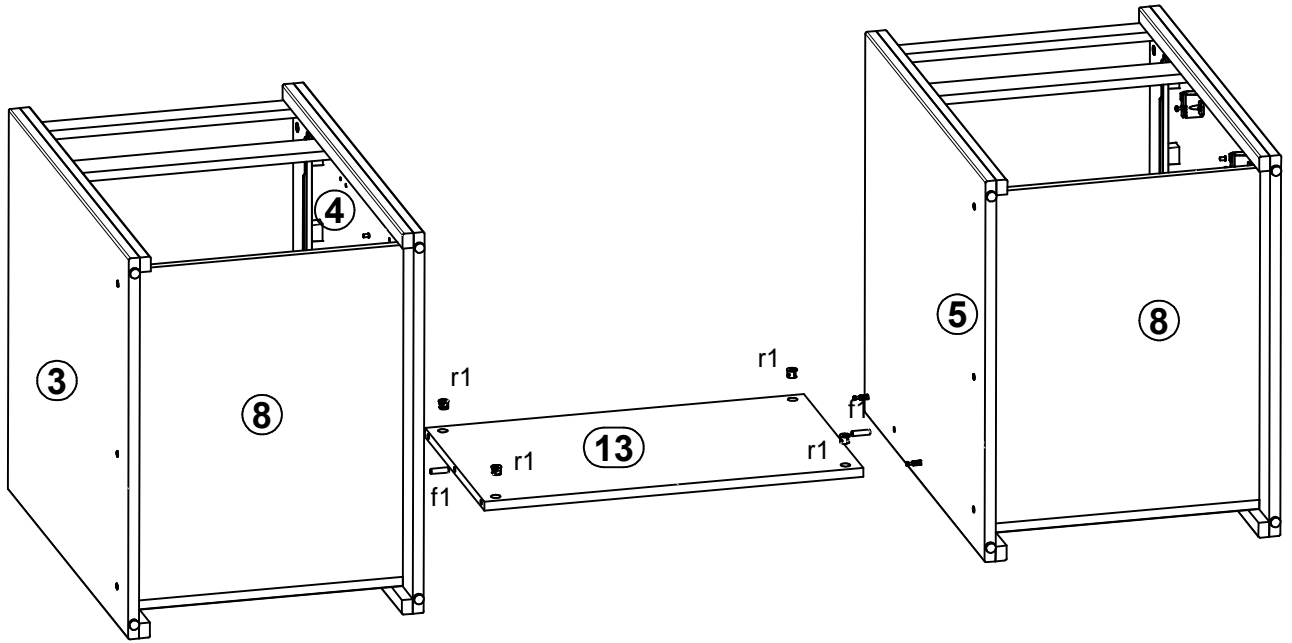
# 2



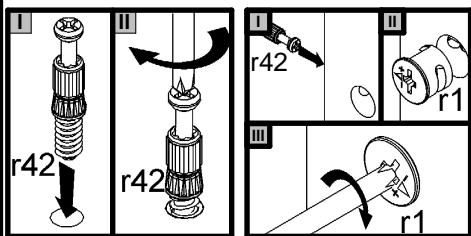
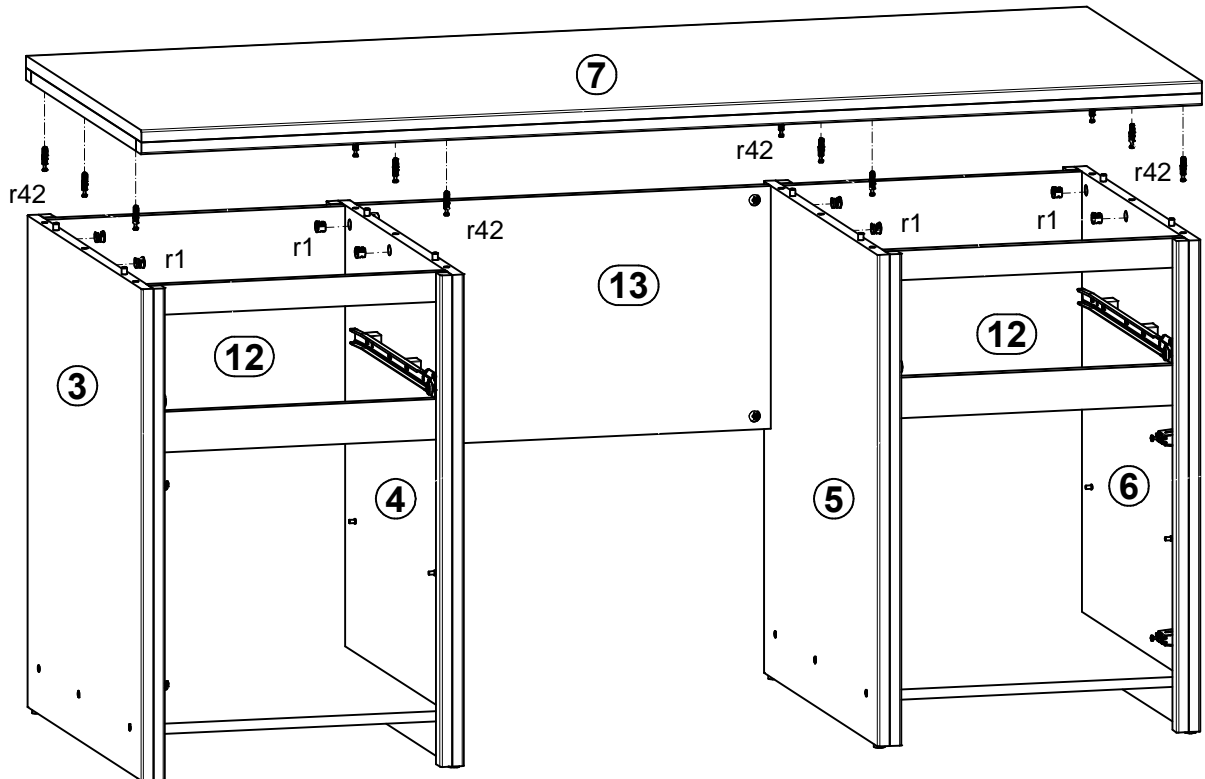
# 3



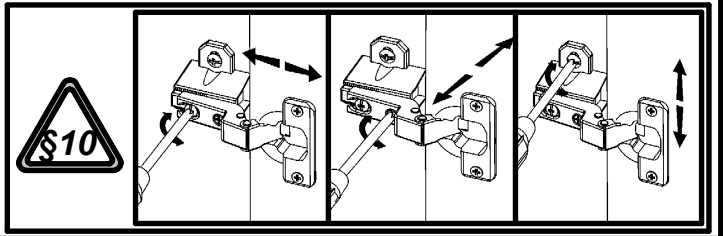
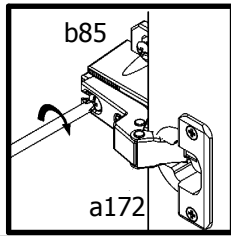
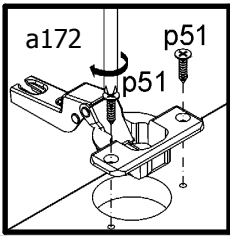
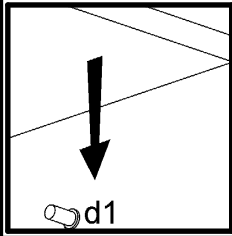
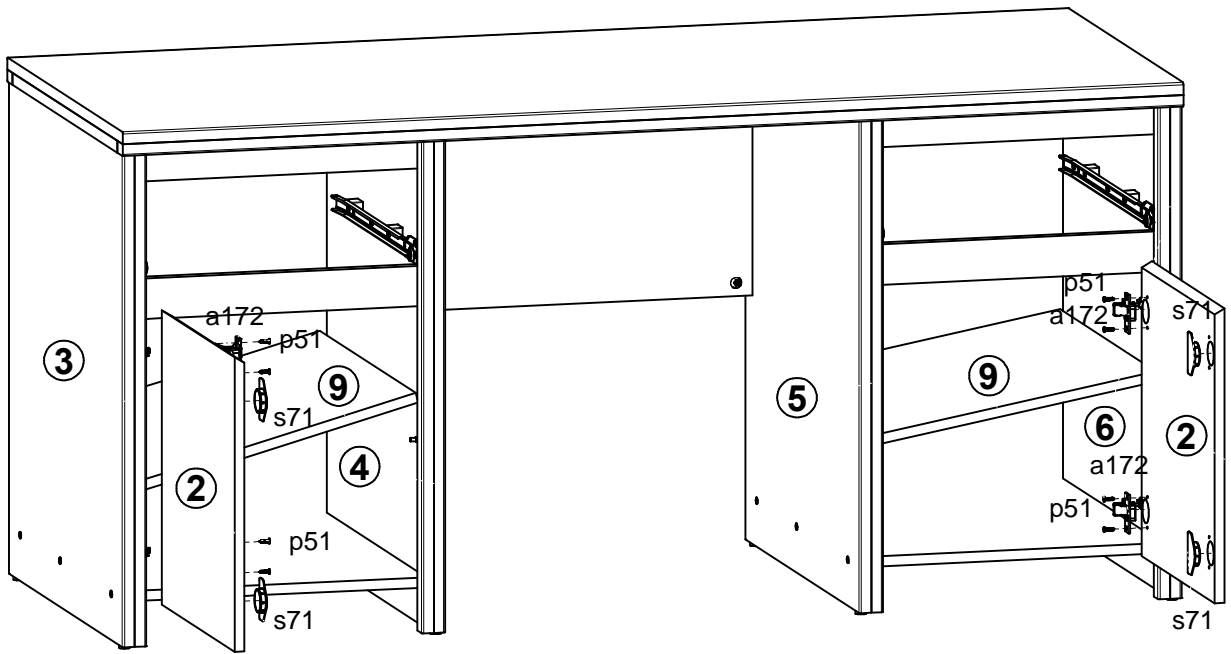
# 4



# 5



# 6



# 7

