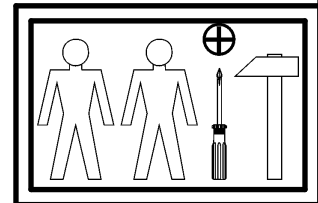
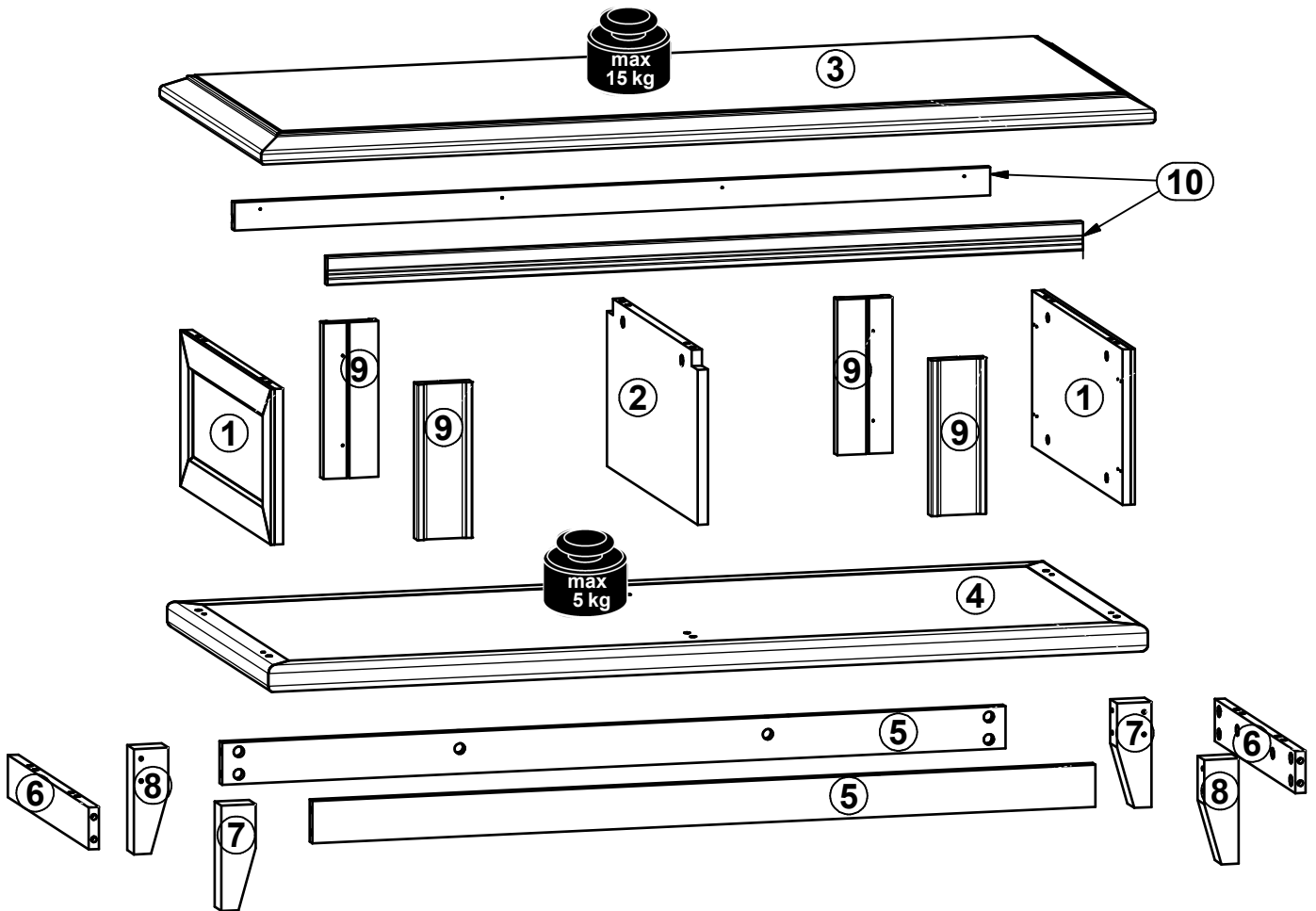
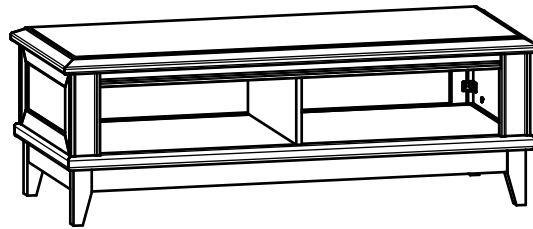
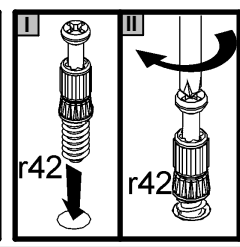
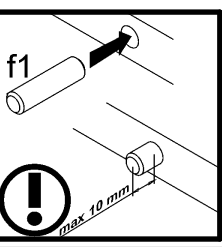
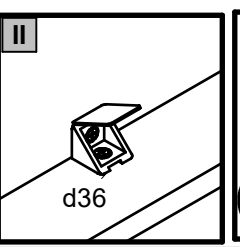
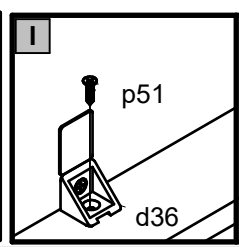
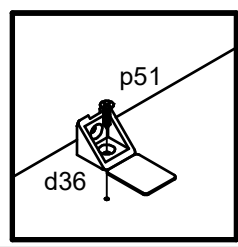
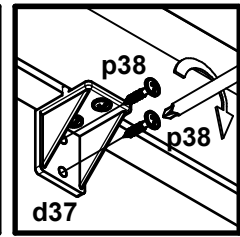
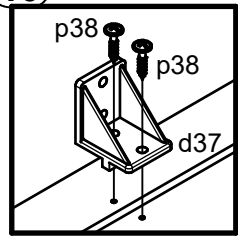
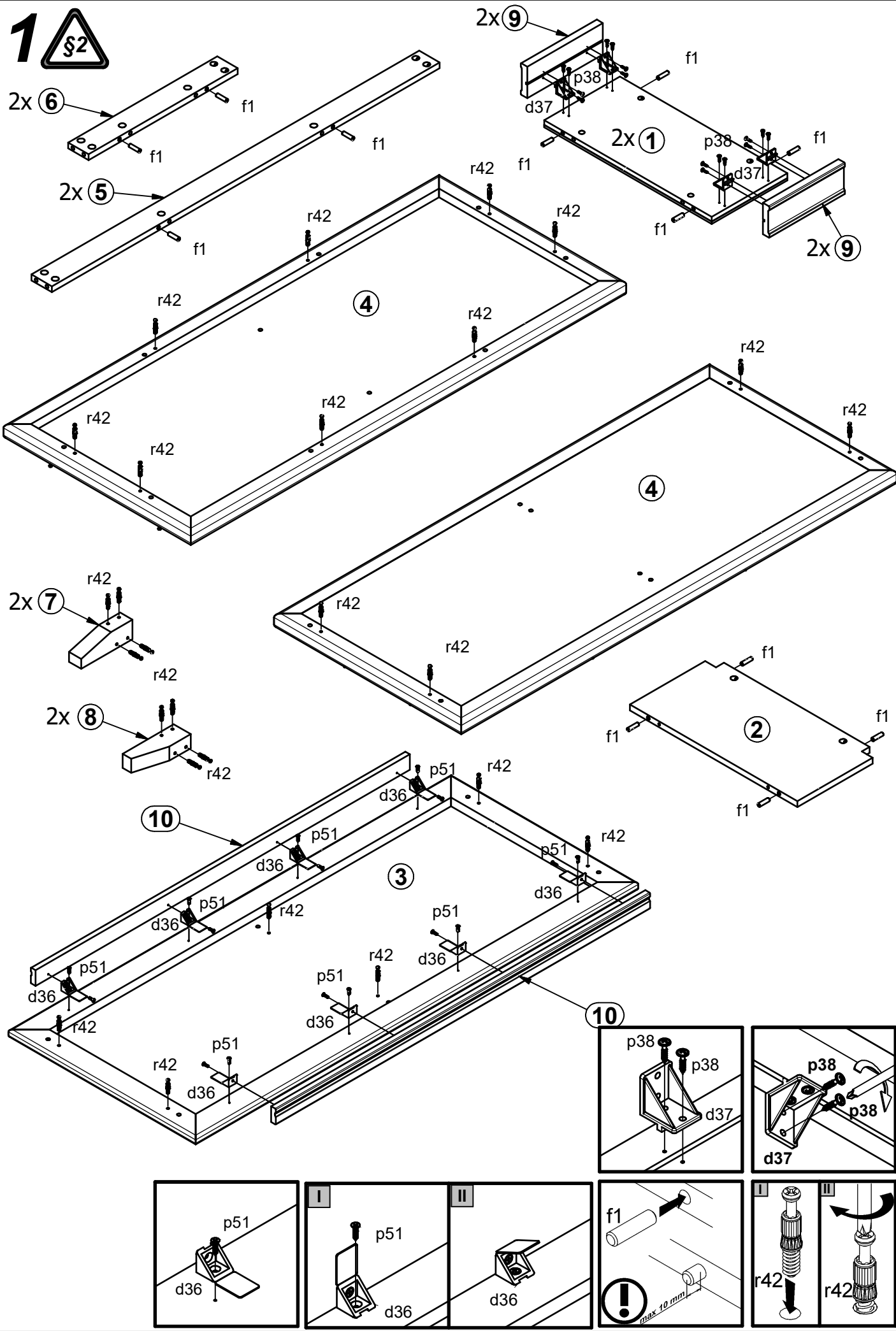


A	B	C	D
1	S453-1028	222,	492,
2	S453-1029	244	492
3	S453-2014	1300,	550,
4	S453-2015	1279,	550,
5	S453-4016	1139	60
6	S453-4017	438	60
7	S453-5016	150	50
8	S453-5017	150	50
9	S453-5101	222	80
10	S453-5102	1099	40

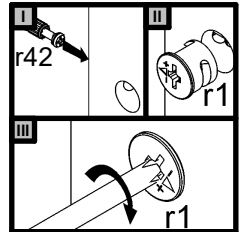
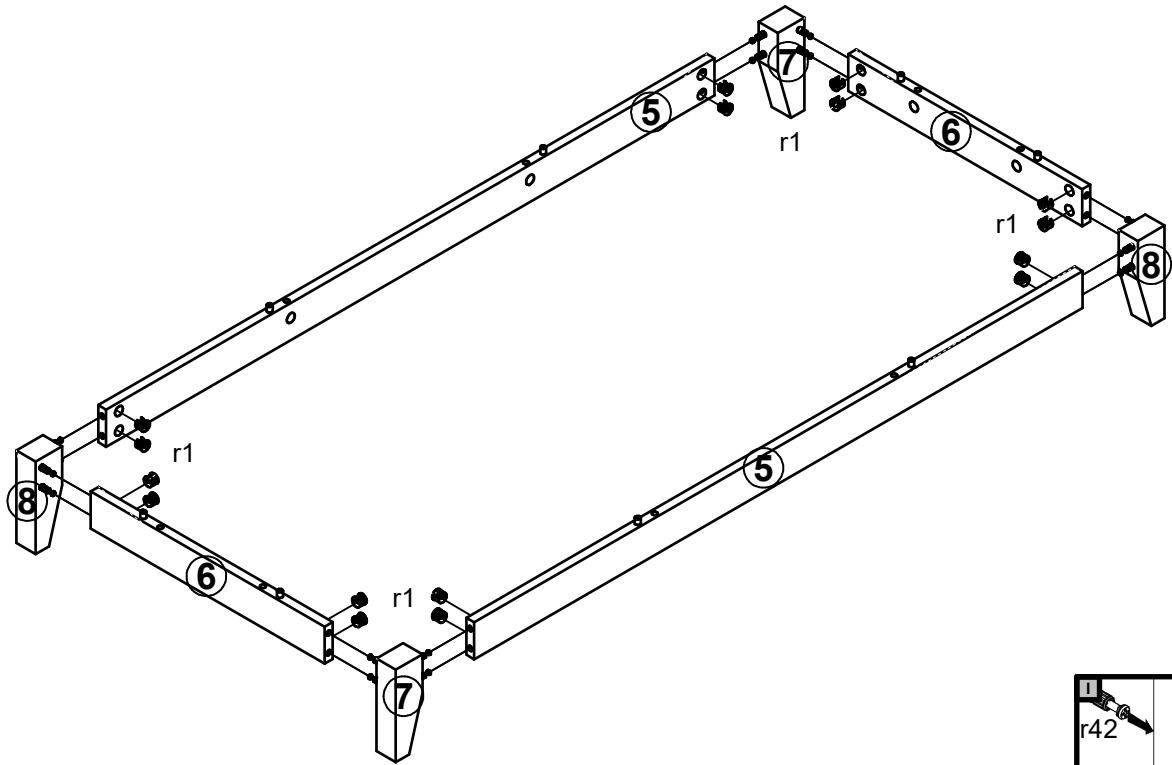


8x d36	8x d37	2x Ø7x50 mm e1	20x Ø8x30 mm f1	32x Ø3.5x16 mm p38	16x Ø3.5x15 mm p51	26x Ø15x12 mm #16 r1	8x Ø12x10.5 mm #12 r15	34x 20/11 r42	
10x Ø 20mm s68	1x 4 mm z1								

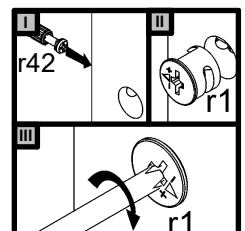
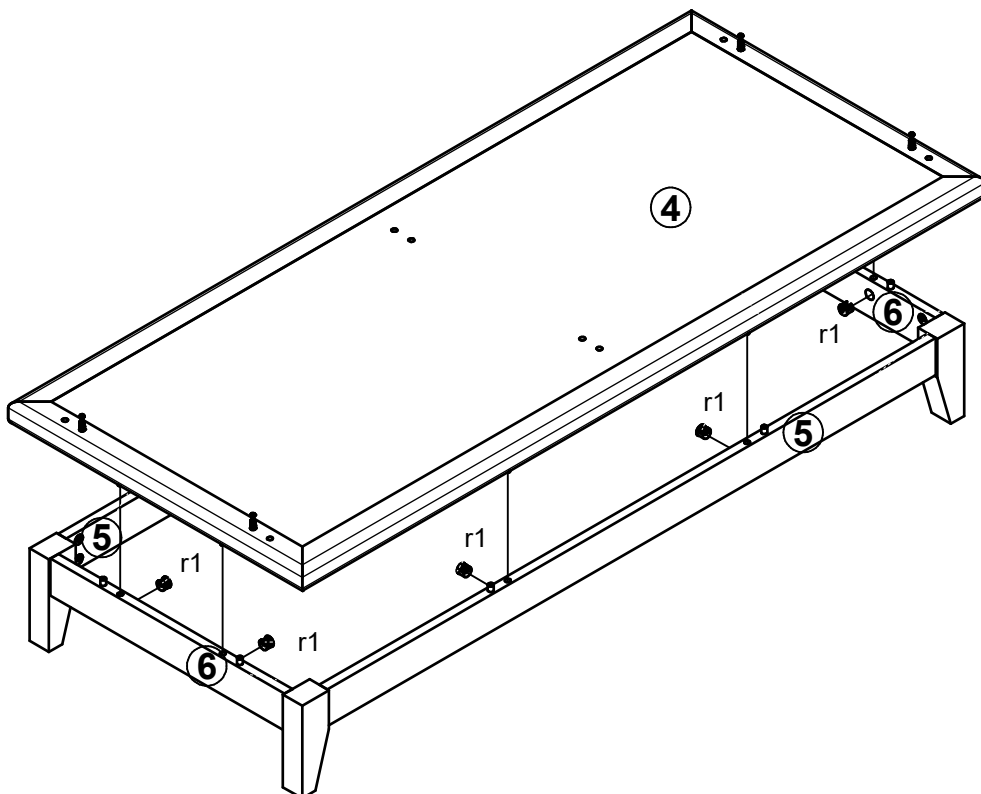
1 



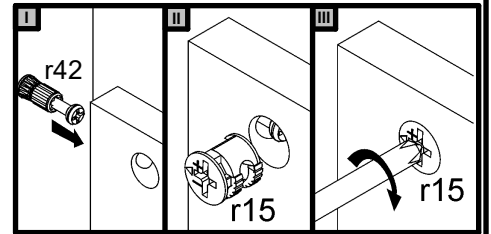
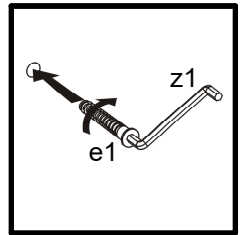
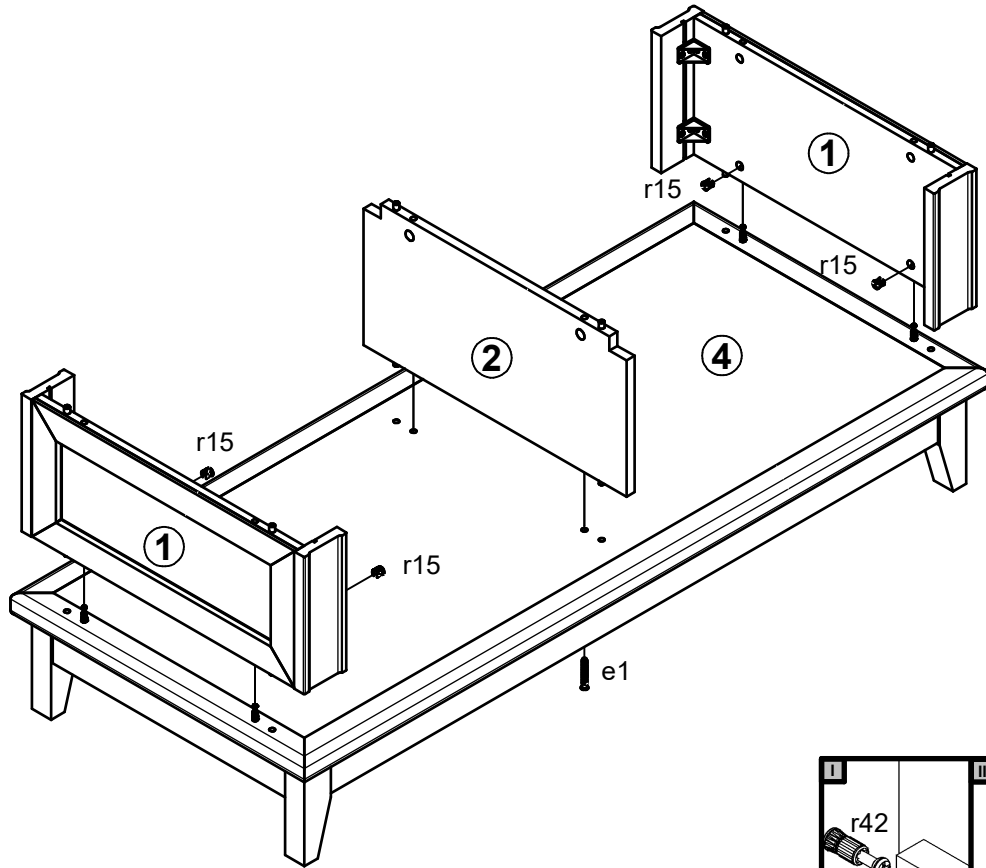
2



3



4



5

