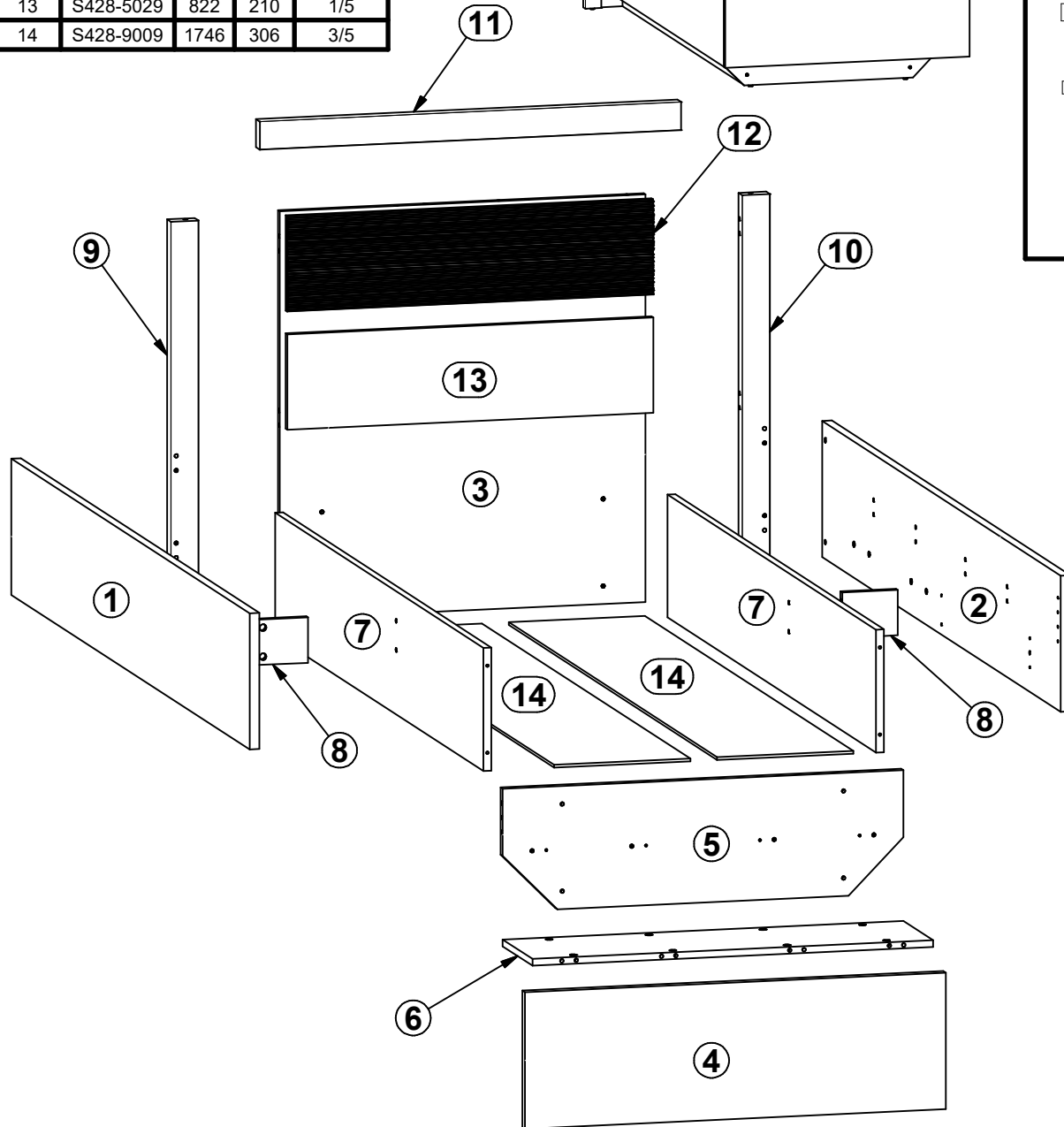
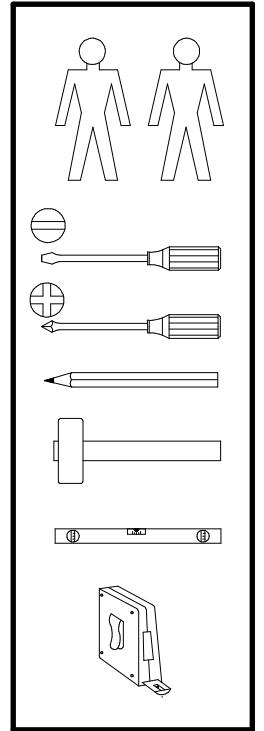
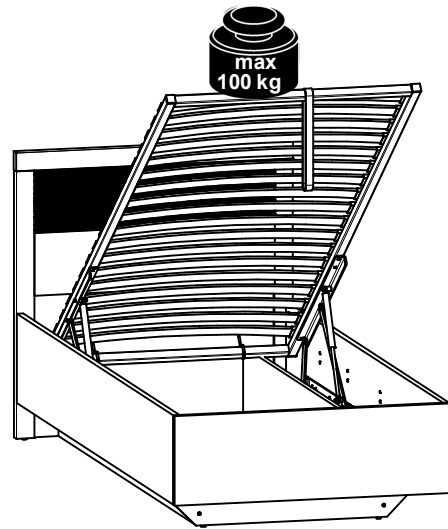
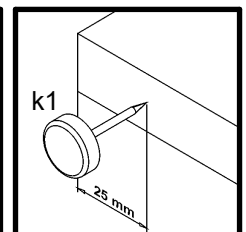
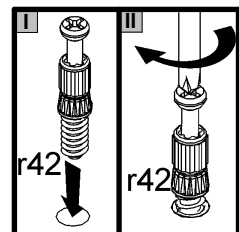
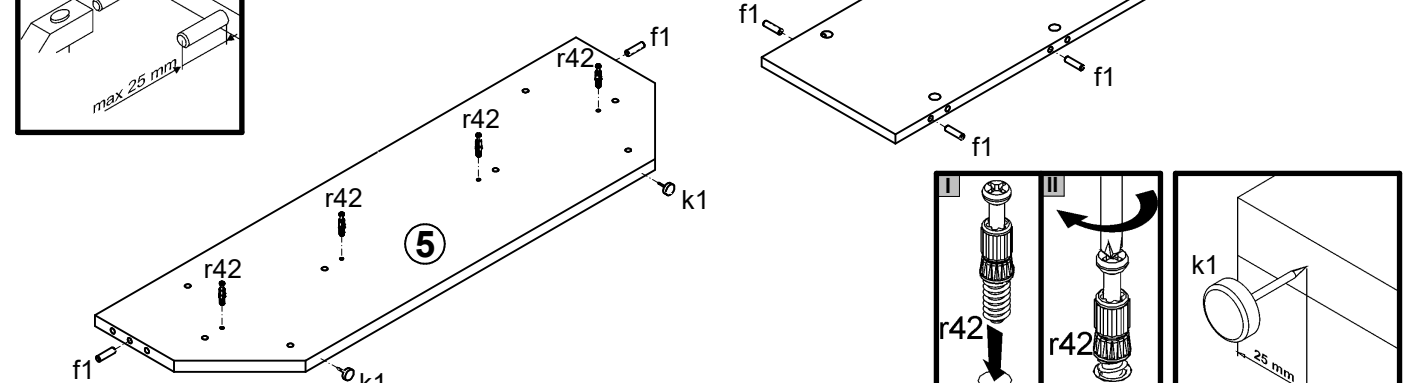
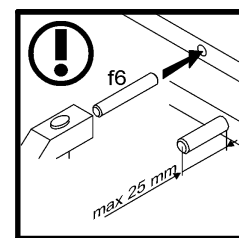
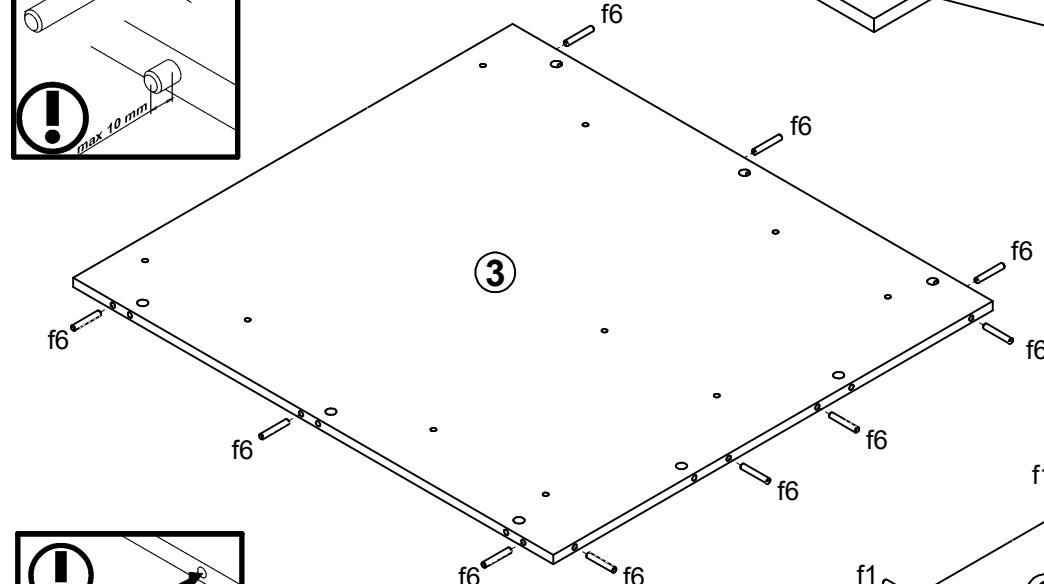
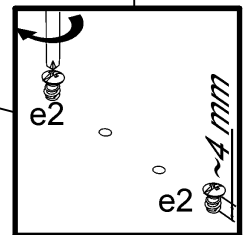
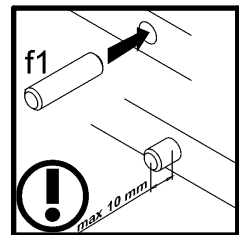
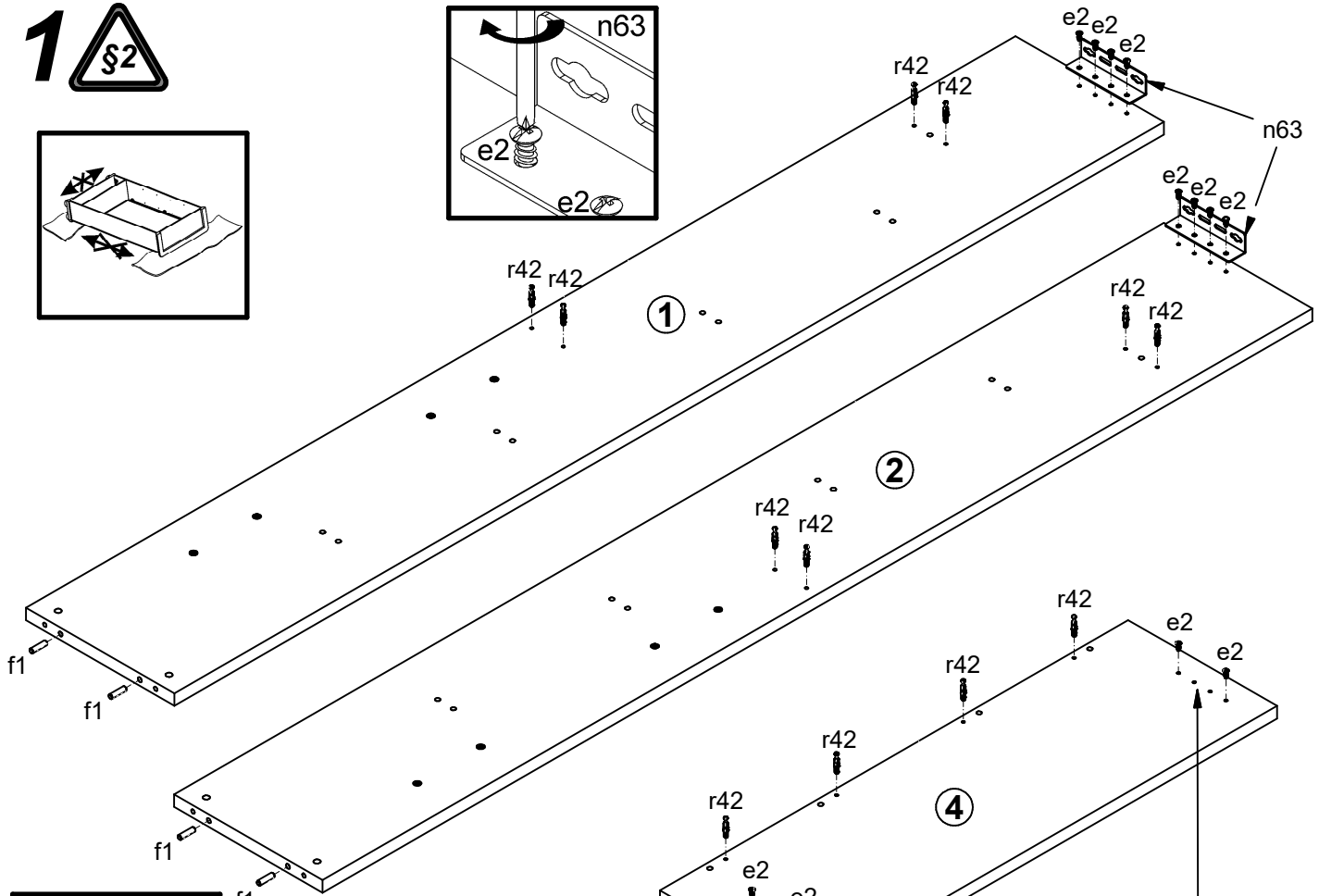
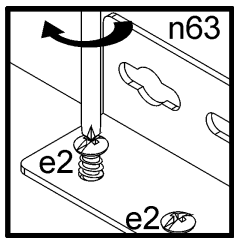
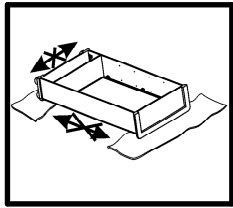


A	B	C	D
1	S428-1037	2000	300
2	S428-1038	2000	300
3	S428-4013	822	898
4	S428-4014	946	301
5	S428-4015	900	271
6	S428-4017	900	250
7	S428-4008	1748	271
8	S428-4016	125	100
9	S428-5020	898	62
10	S428-5021	898	62
11	S428-5030	947	62
12	S428-5028	822	210
13	S428-5029	822	210
14	S428-9009	1746	306



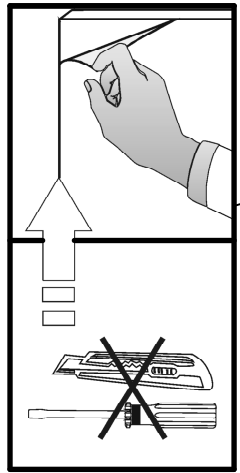
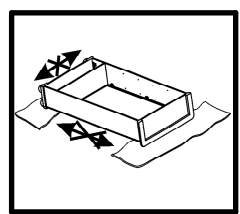
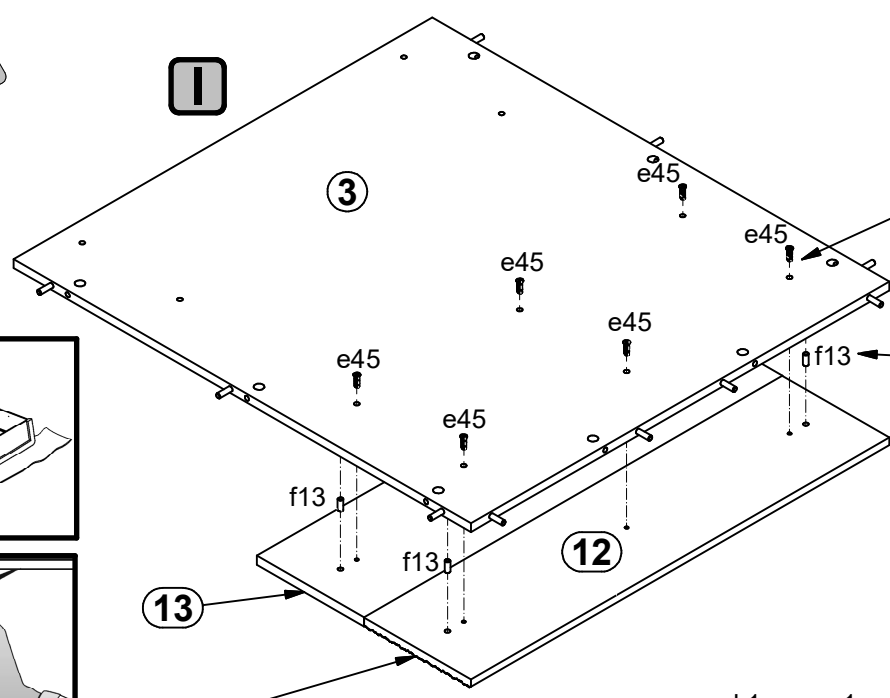
12x Ø7x50 mm e1	16x Ø6.3x13 mm e2	6x Ø7x24 mm e45	14x Ø8x30 mm f1	10x Ø8x50 mm f6	4x Ø8x20 mm f13	8x M6x20 mm j167	4x M6x70 mm j171	4x k1
2x 130x34x34/2 mm n63	36x Ø15x12 mm #16 r1	16x 20/11 r42	4x Ø10x16 mm r43	10x 40 mm r51	2x Ø20x3mm k103	1x 4 mm z1		

1 

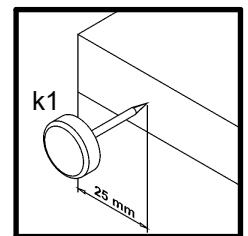
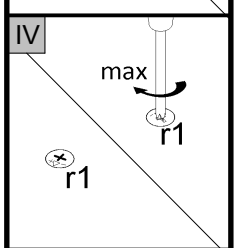
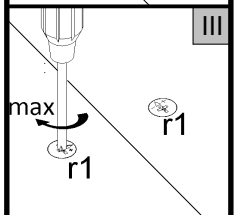
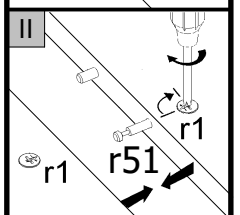
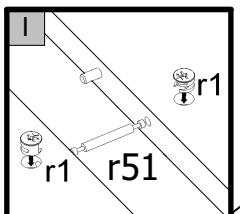
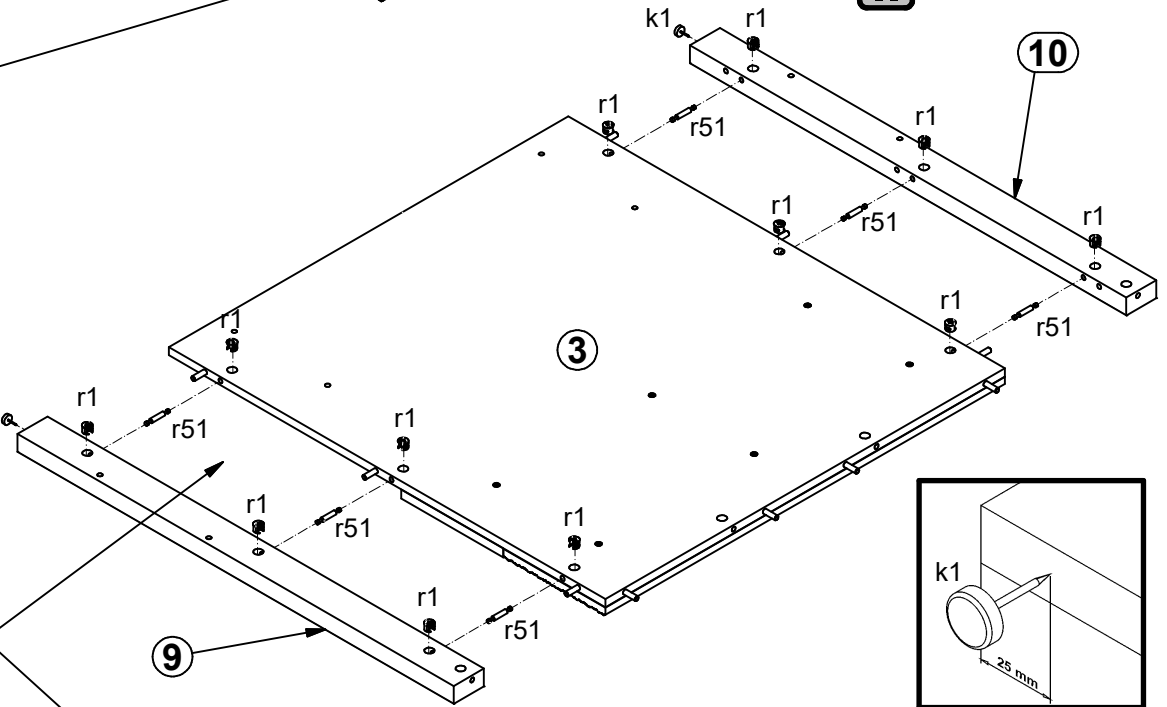


2 

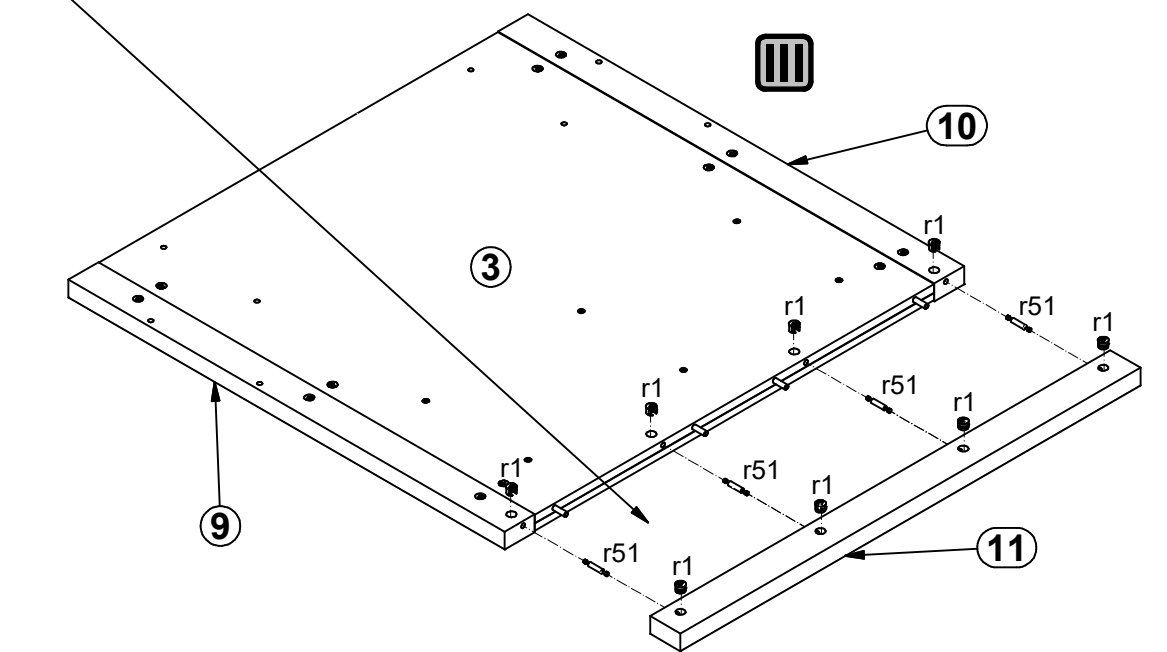
I



III

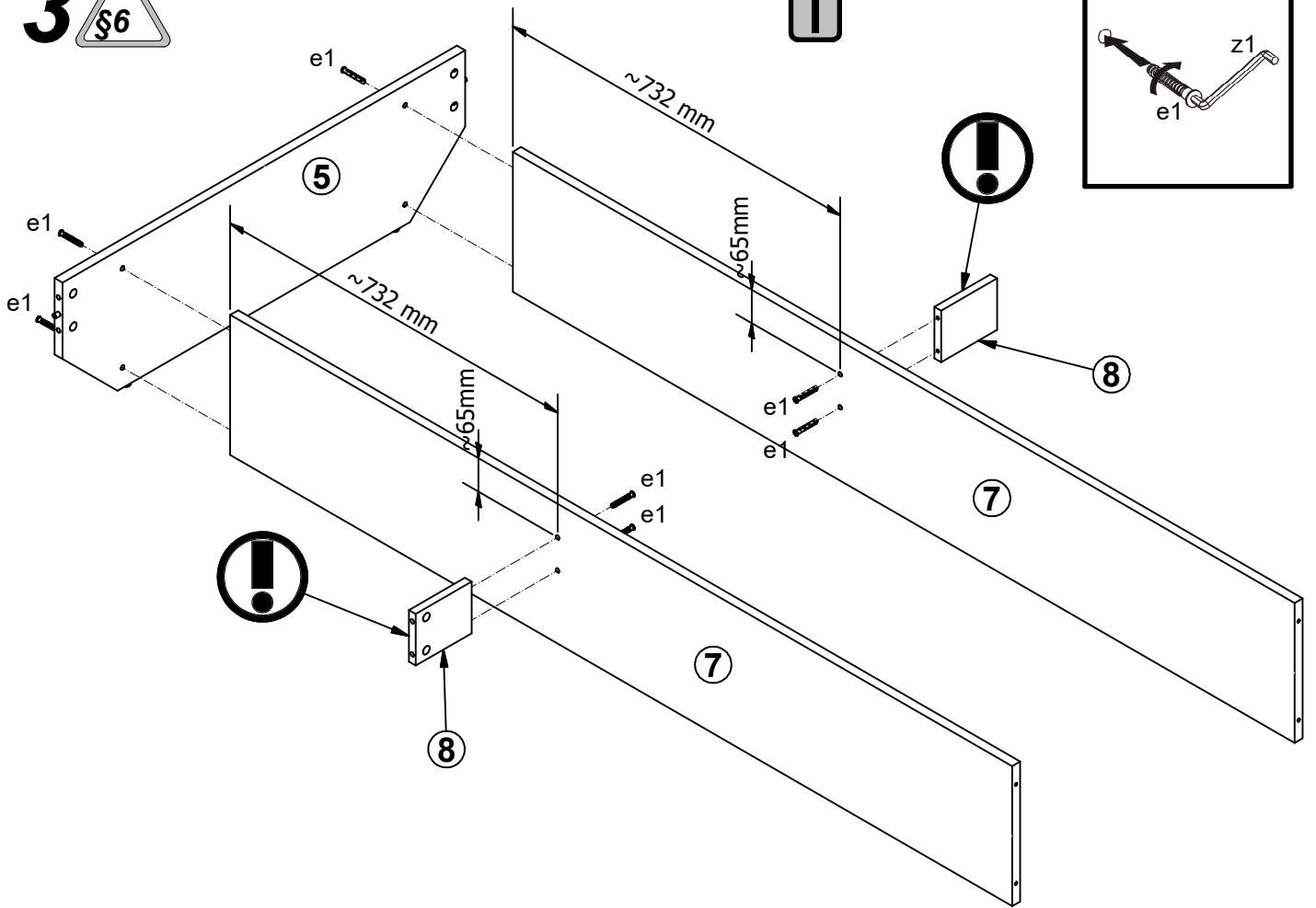
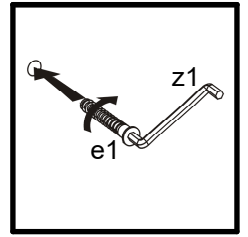


III

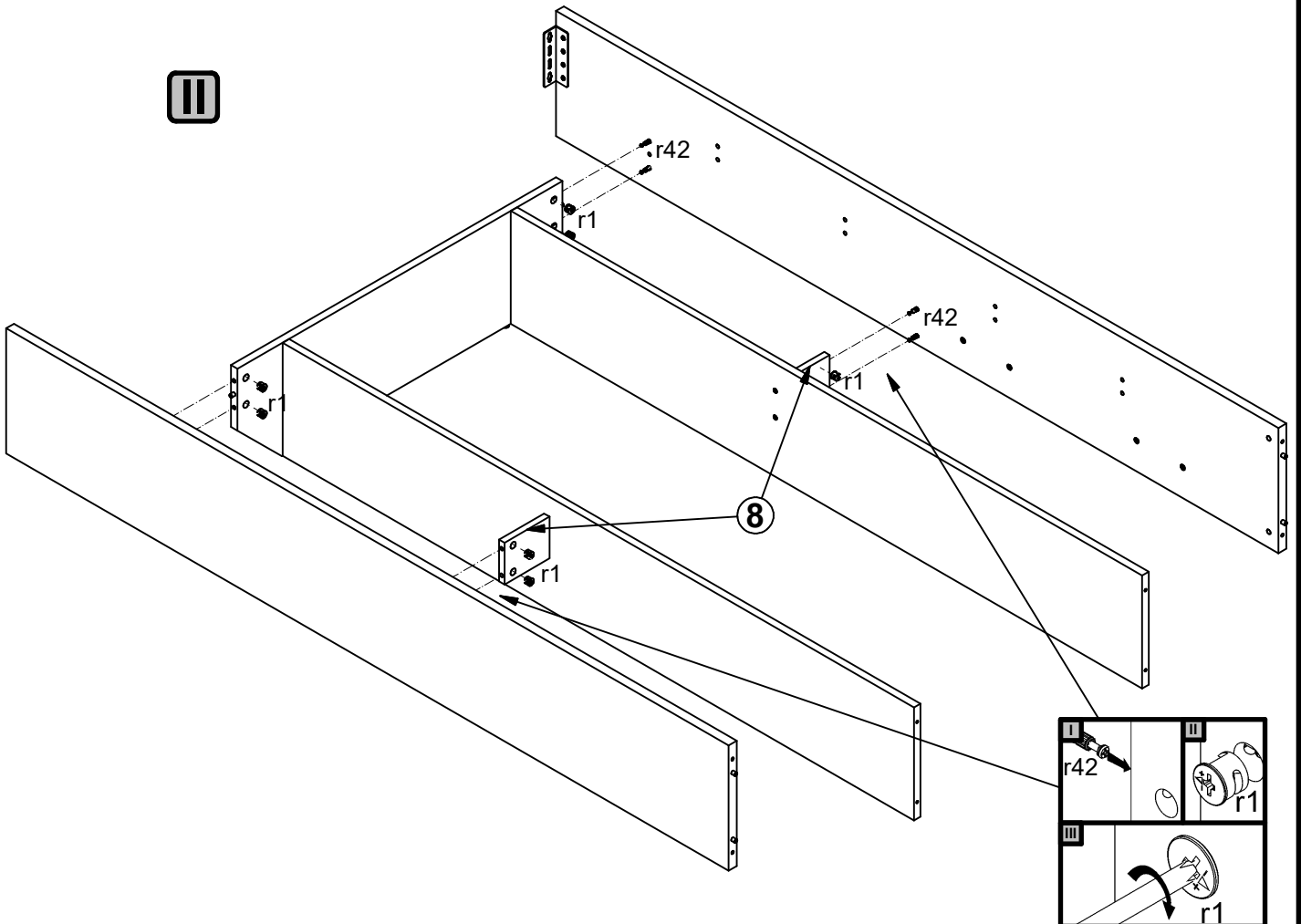


3 §6

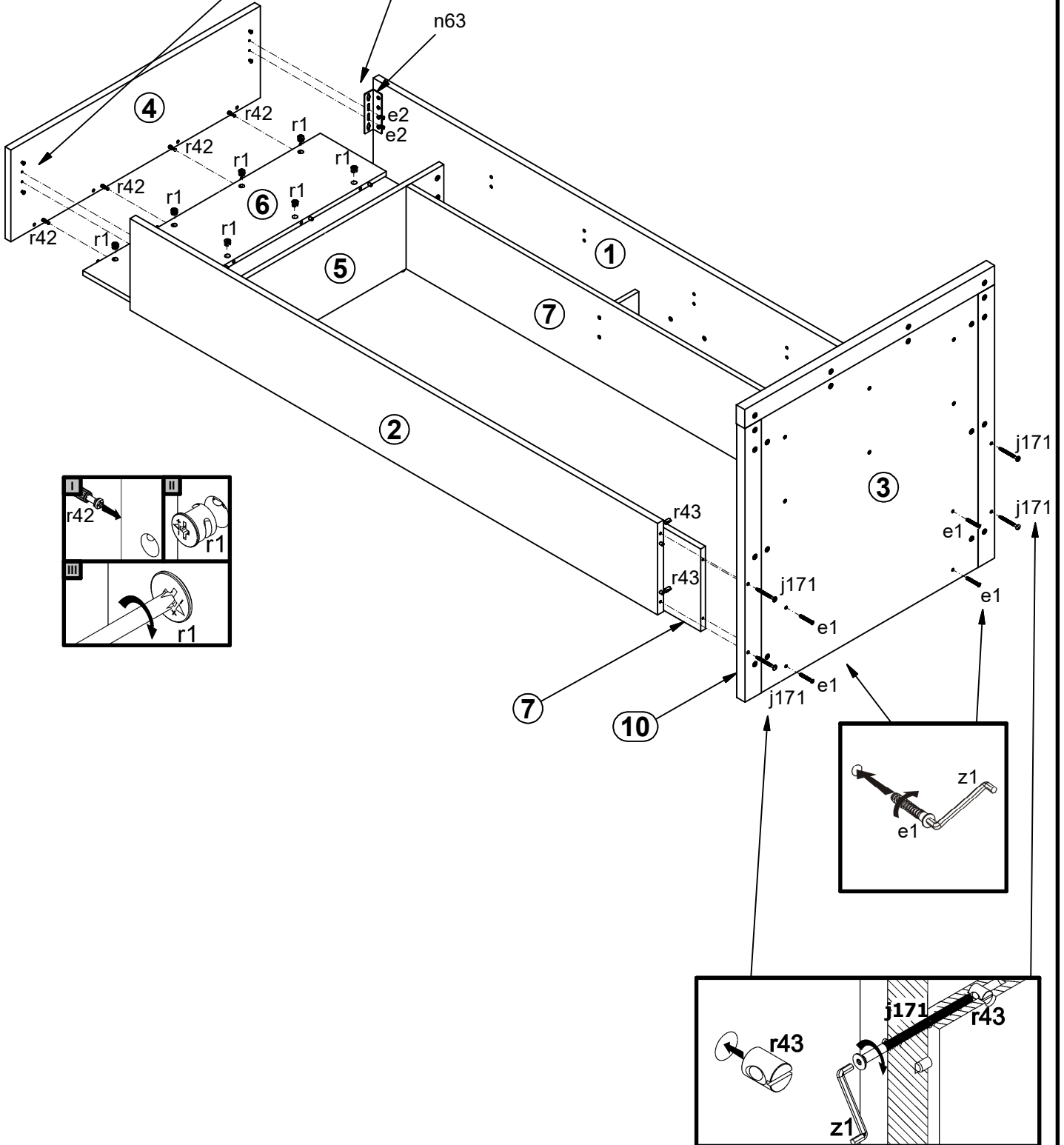
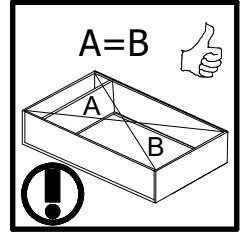
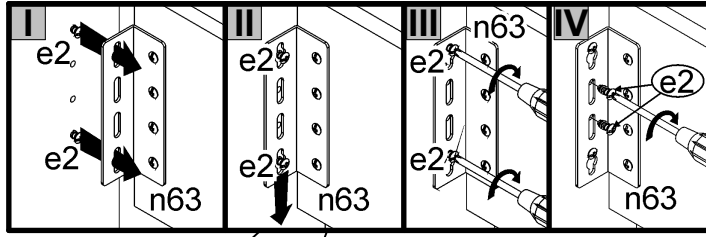
I



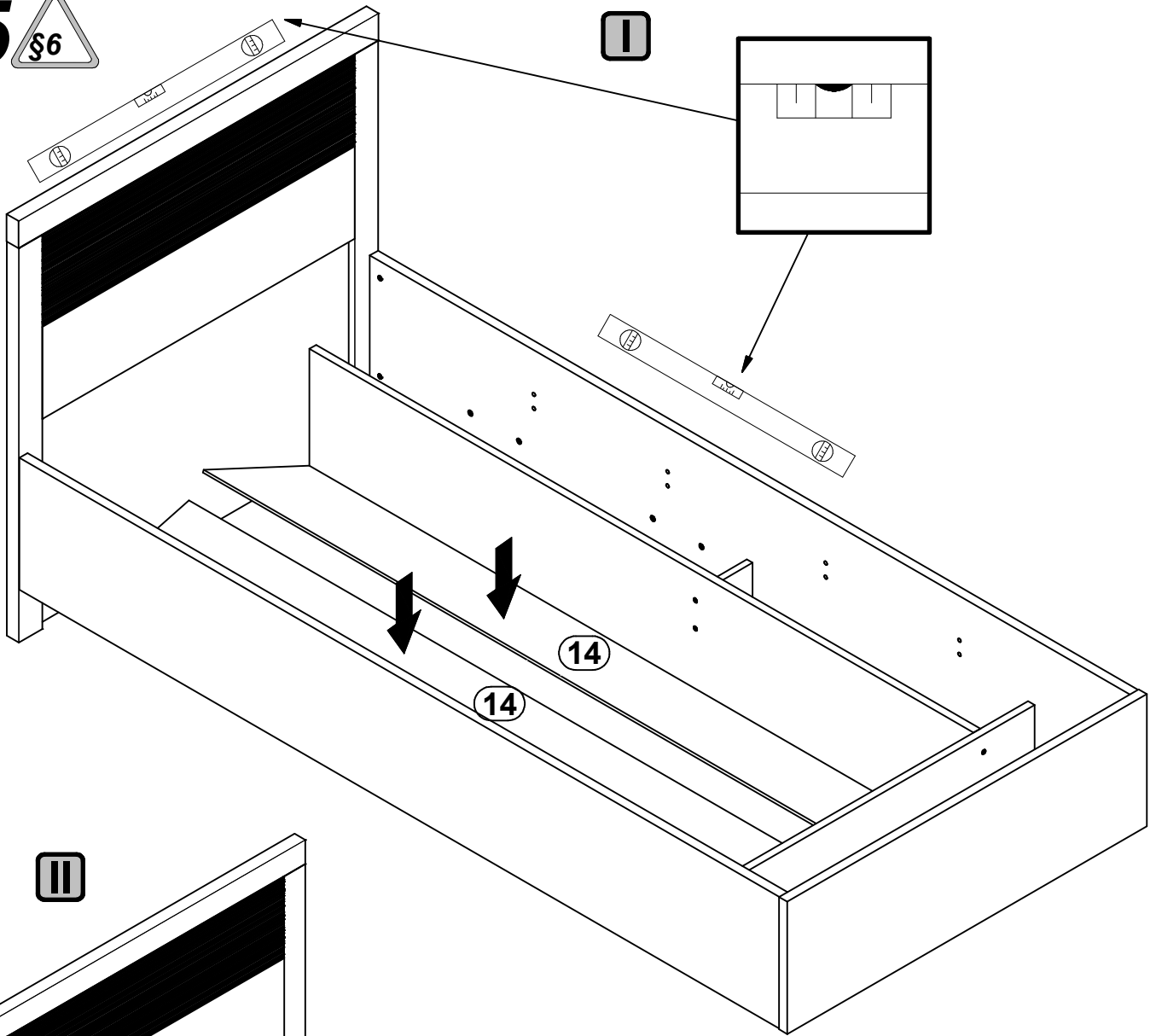
II



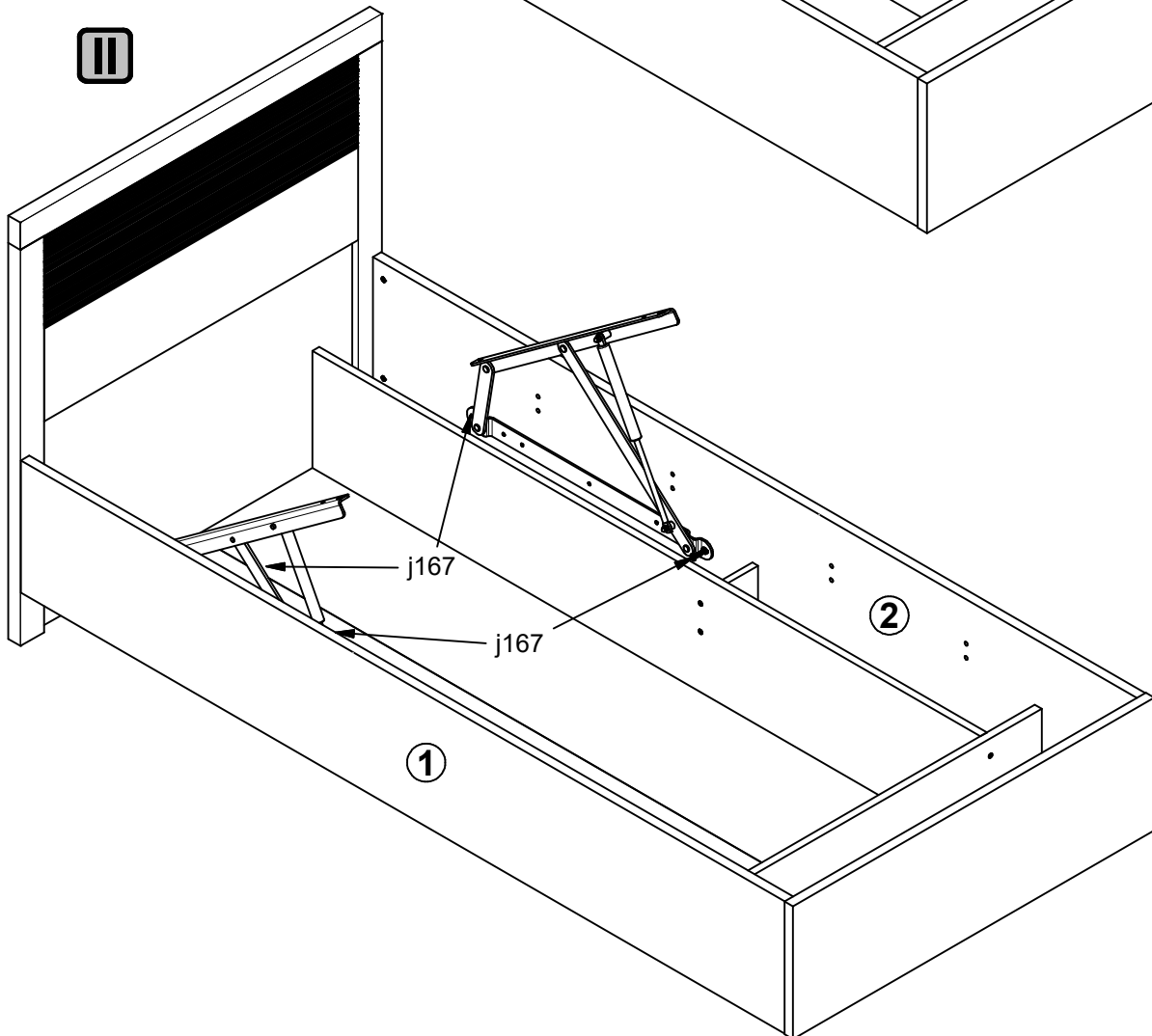
4 §6



5 §6



III



6 

