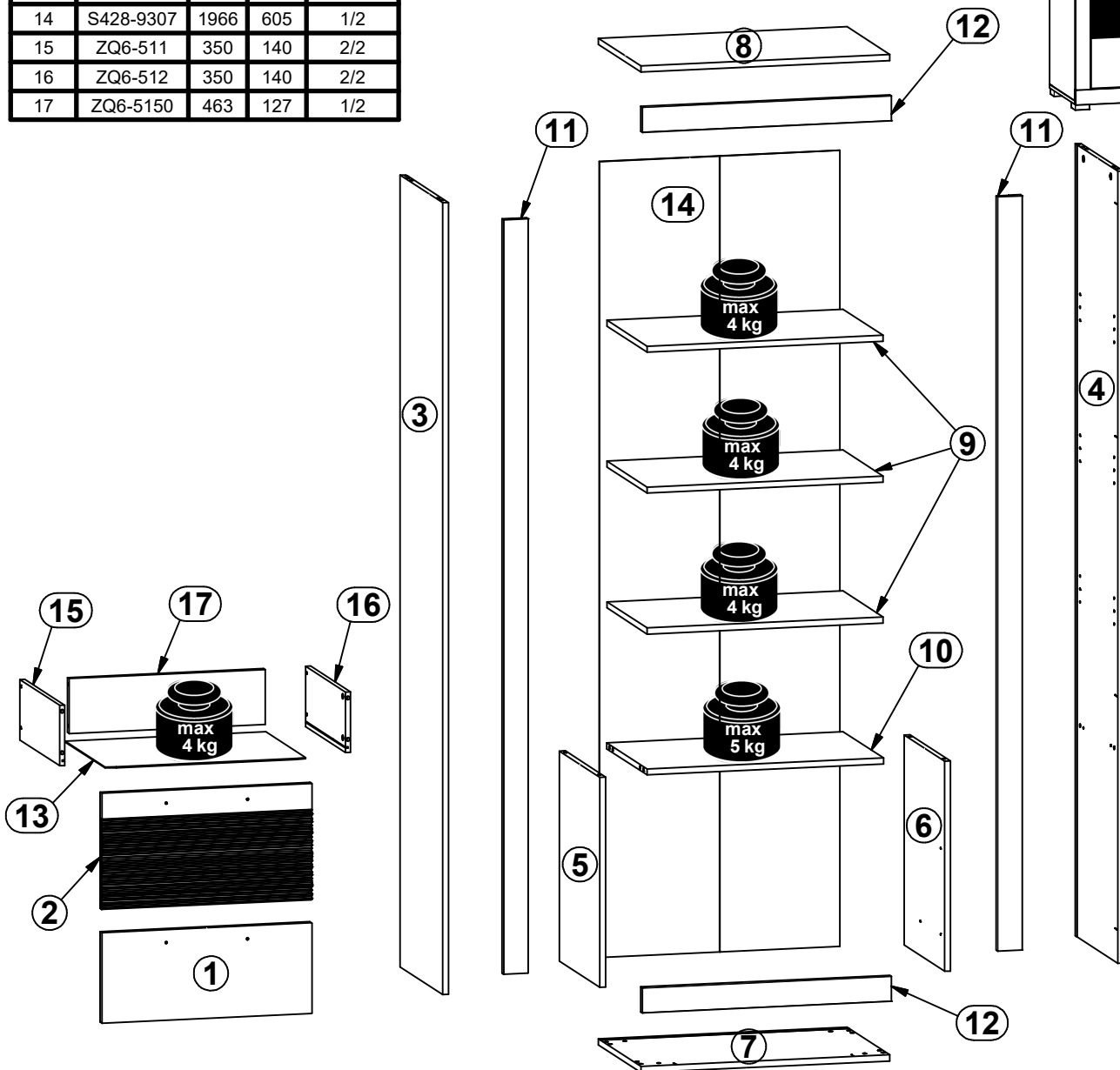
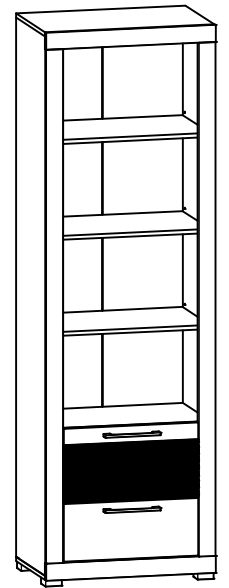
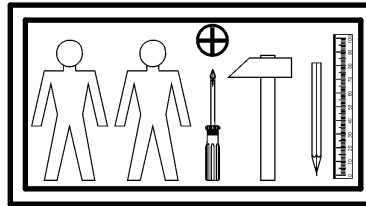
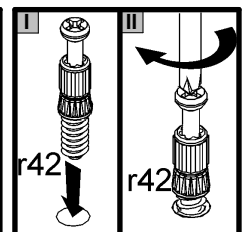
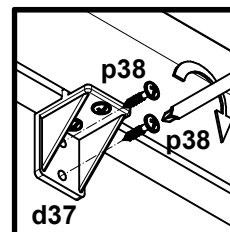
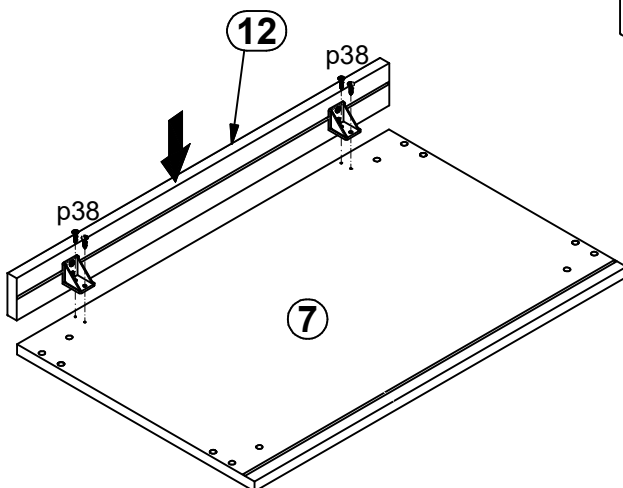
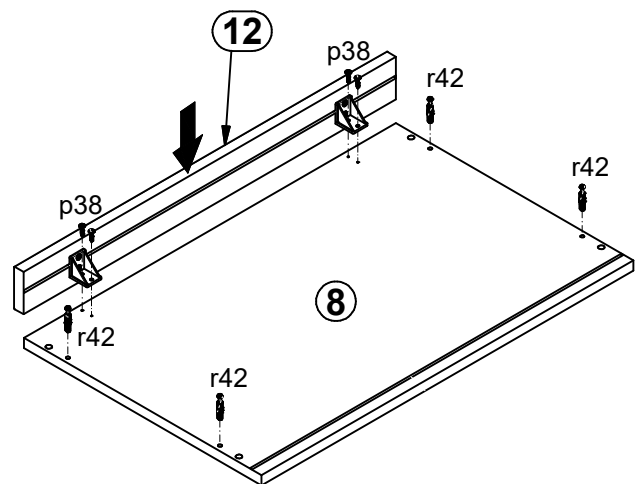
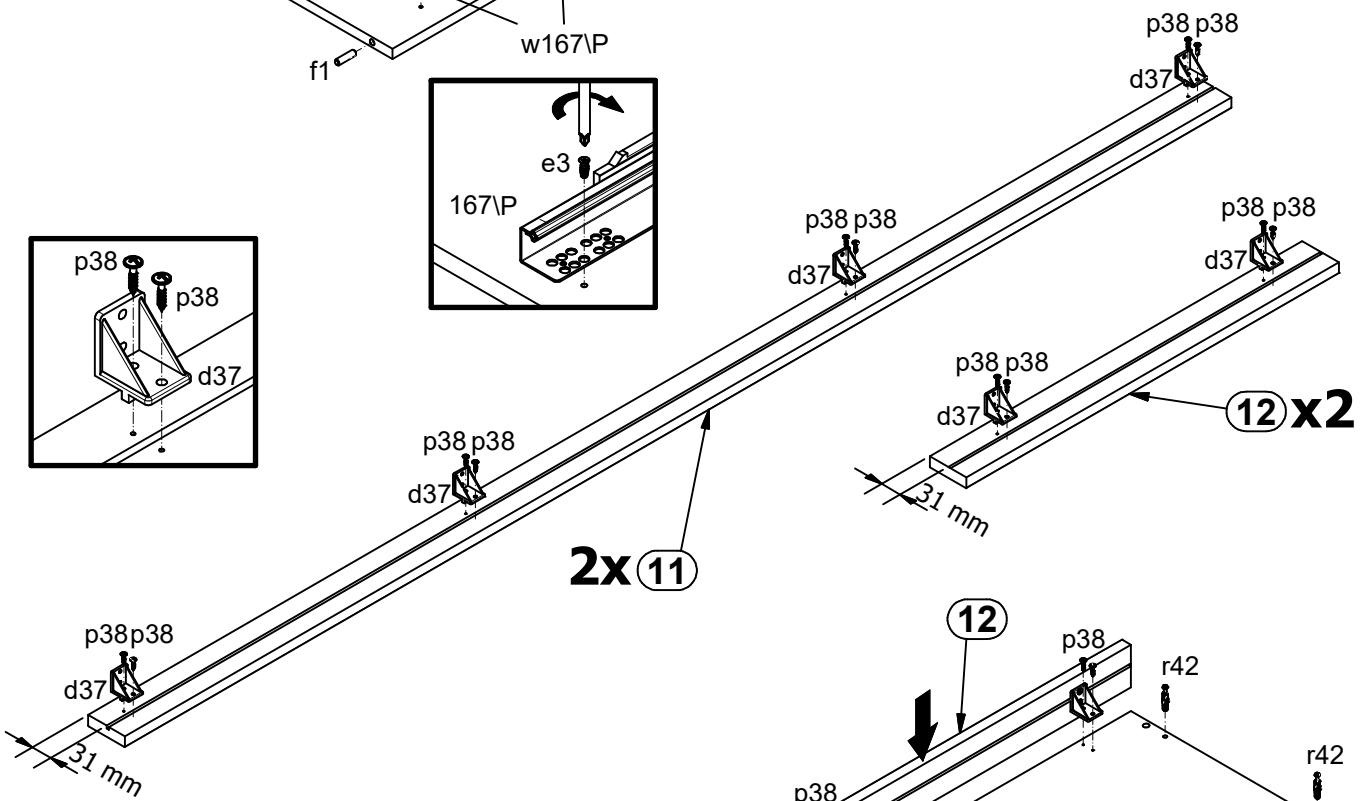
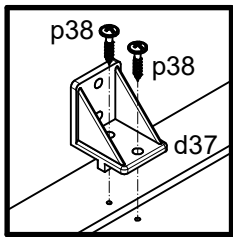
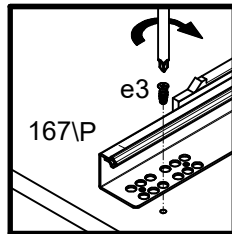
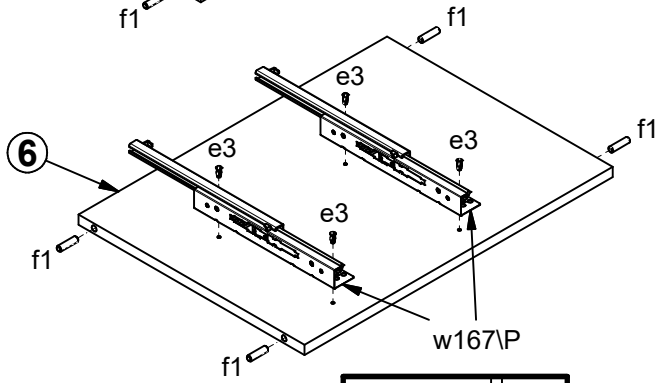
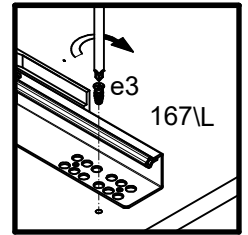
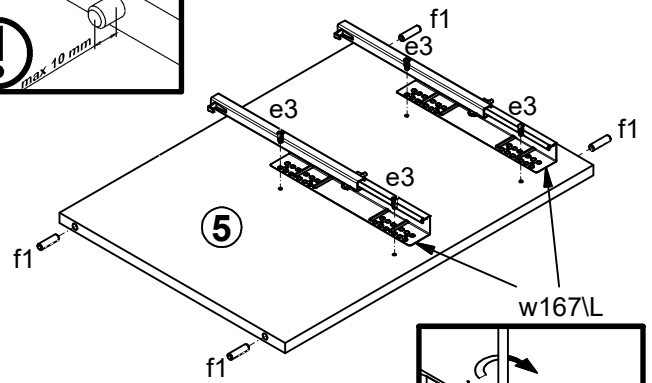
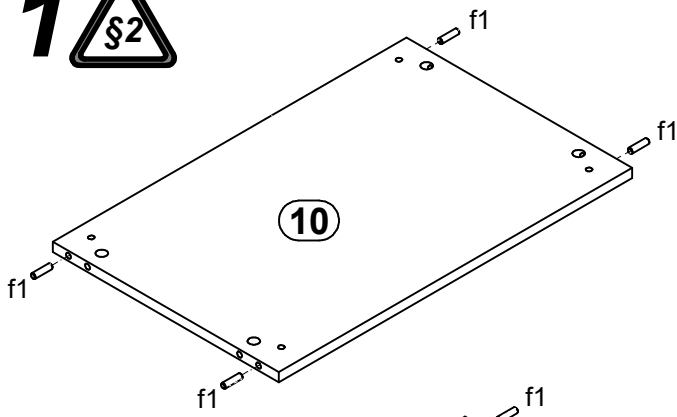
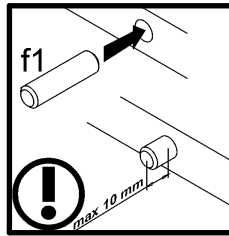


A	B	C	D	
1	S428-0019	496	210	1/2
2	S428-0020	496	270	1/2
3	S428-1029	1956	400	1/2
4	S428-1030	1956	400	1/2
5	S428-1031	519	380	2/2
6	S428-1032	519	380	2/2
7	S428-2020	626	400	2/2
8	S428-2021	626	400	2/2
9	S428-3013	594	379	2/2
10	S428-3014	595	380	2/2
11	S428-5032	1863	62	1/2
12	S428-5033	627	62	1/2
13	S428-9011	474	357	2/2
14	S428-9307	1966	605	1/2
15	ZQ6-511	350	140	2/2
16	ZQ6-512	350	140	2/2
17	ZQ6-5150	463	127	1/2

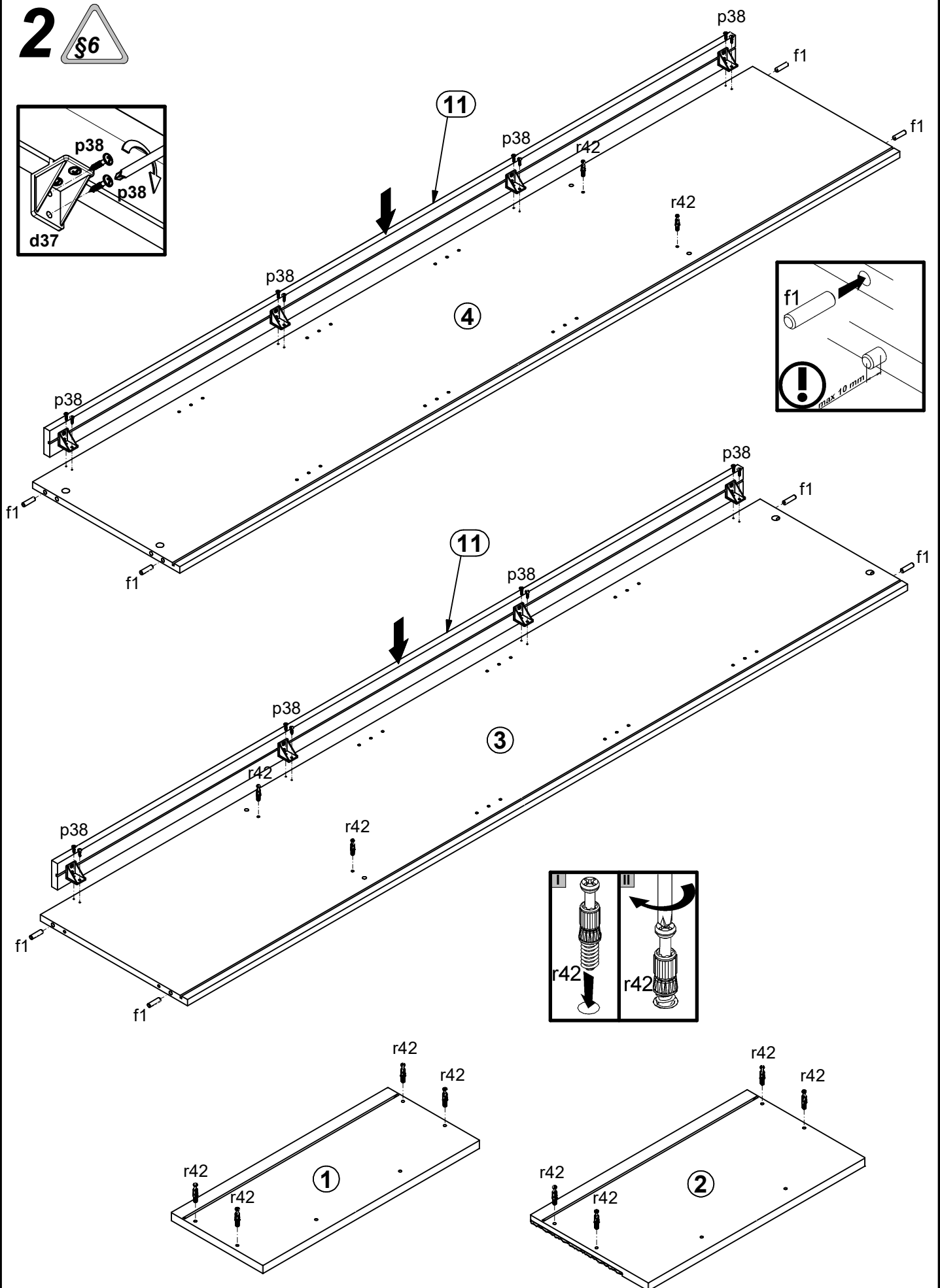
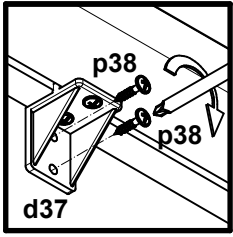


2x 192 mm c306	12x Ø5x17 mm d1	12x d37	4x Ø7x50 mm e1	8x Ø6x13 mm e3	20x Ø8x30 mm f1	8x Ø6.5x40 mm f25	4x M4x22 mm j30	4x 60x60/25 mm k55
12x l2	8x Ø4x35 mm p6	56x Ø3.5x16 mm p38	7x Ø2.9x16 mm p55	8x Ø15x12 mm #16 r1	8x Ø12x10.5 mm #12 r15	16x 20/11 r42	2x 350mm w167L	2x 350mm w167P
4x Ø 20mm s68	1x 4 mm z1						1x n26	1x Ø3.5x16 mm p38

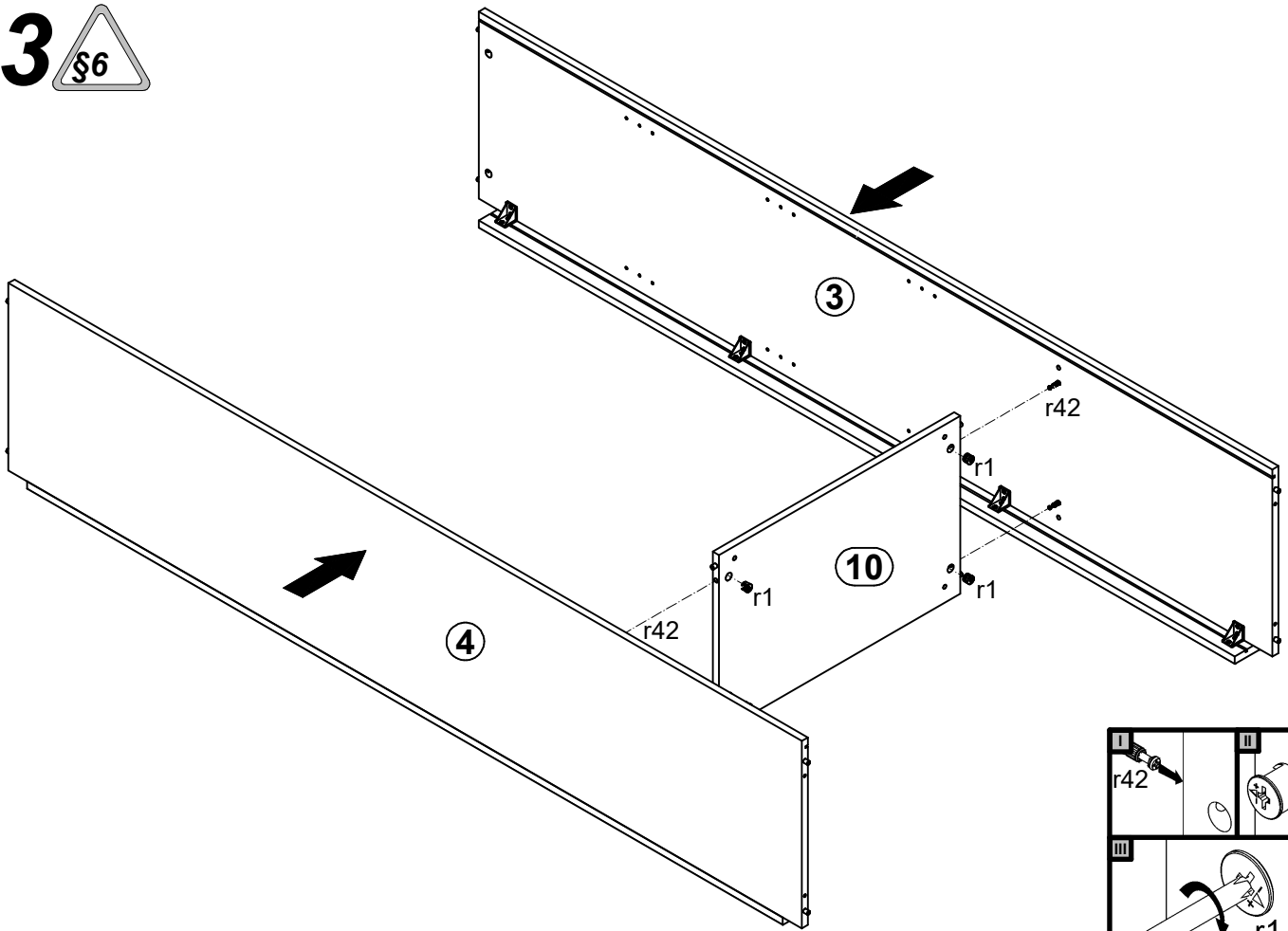
1  §2



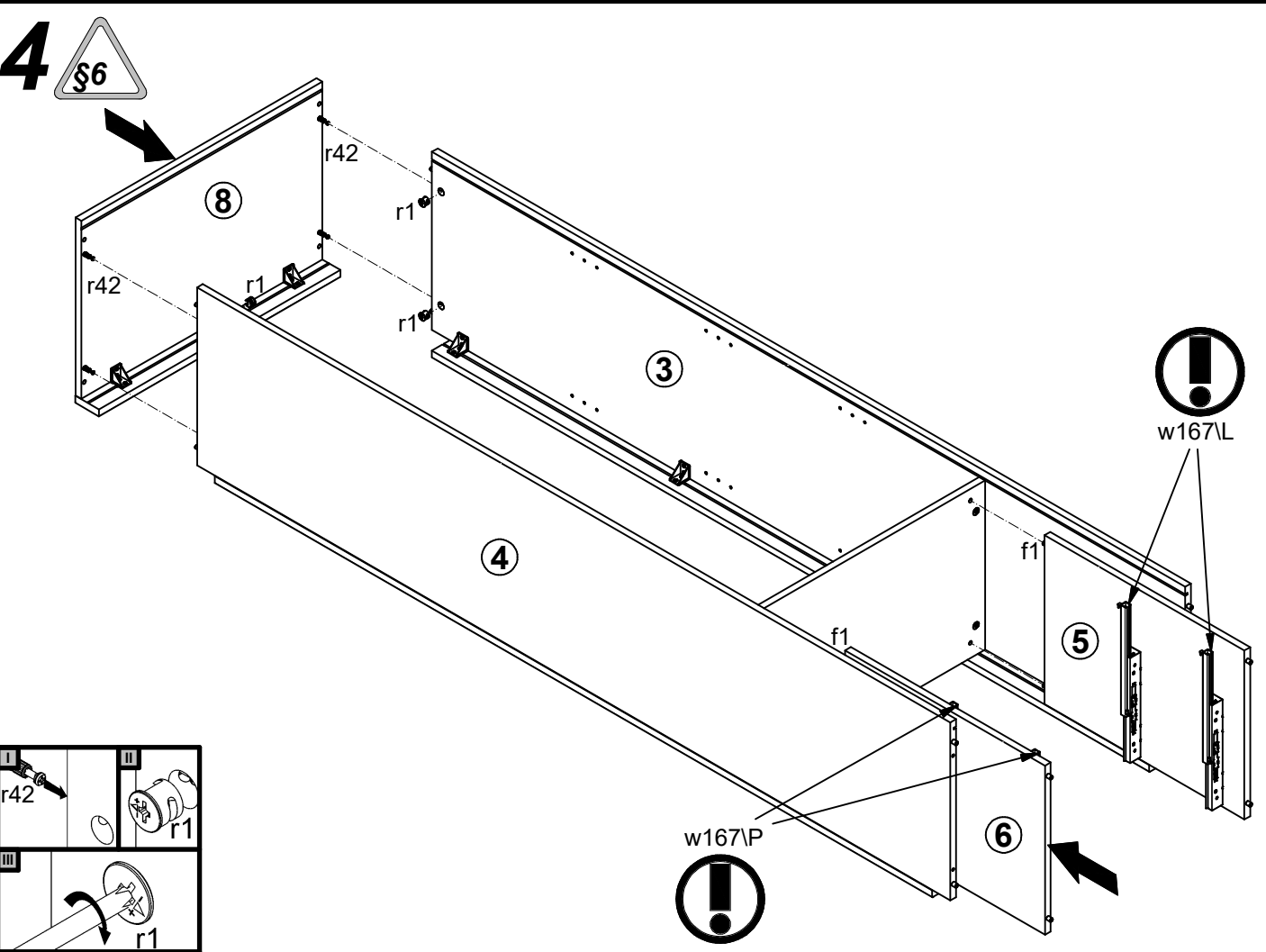
2



3 §6

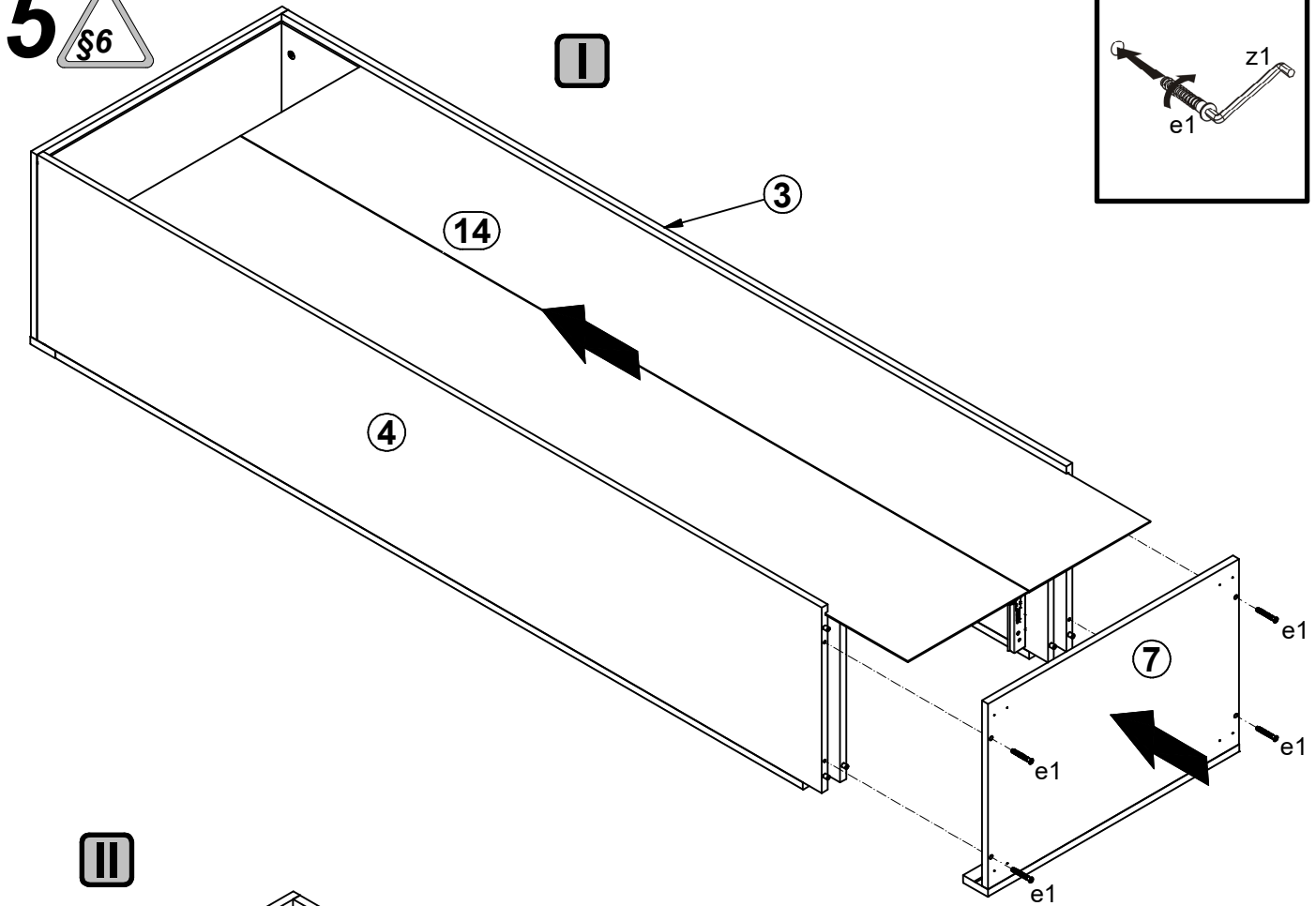
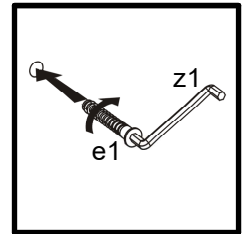


4 §6

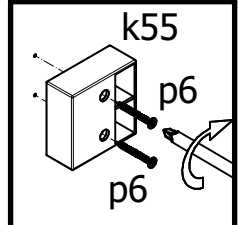
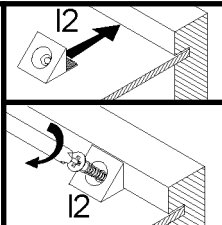
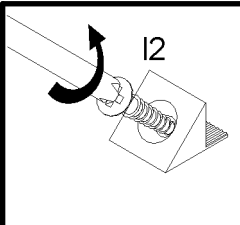
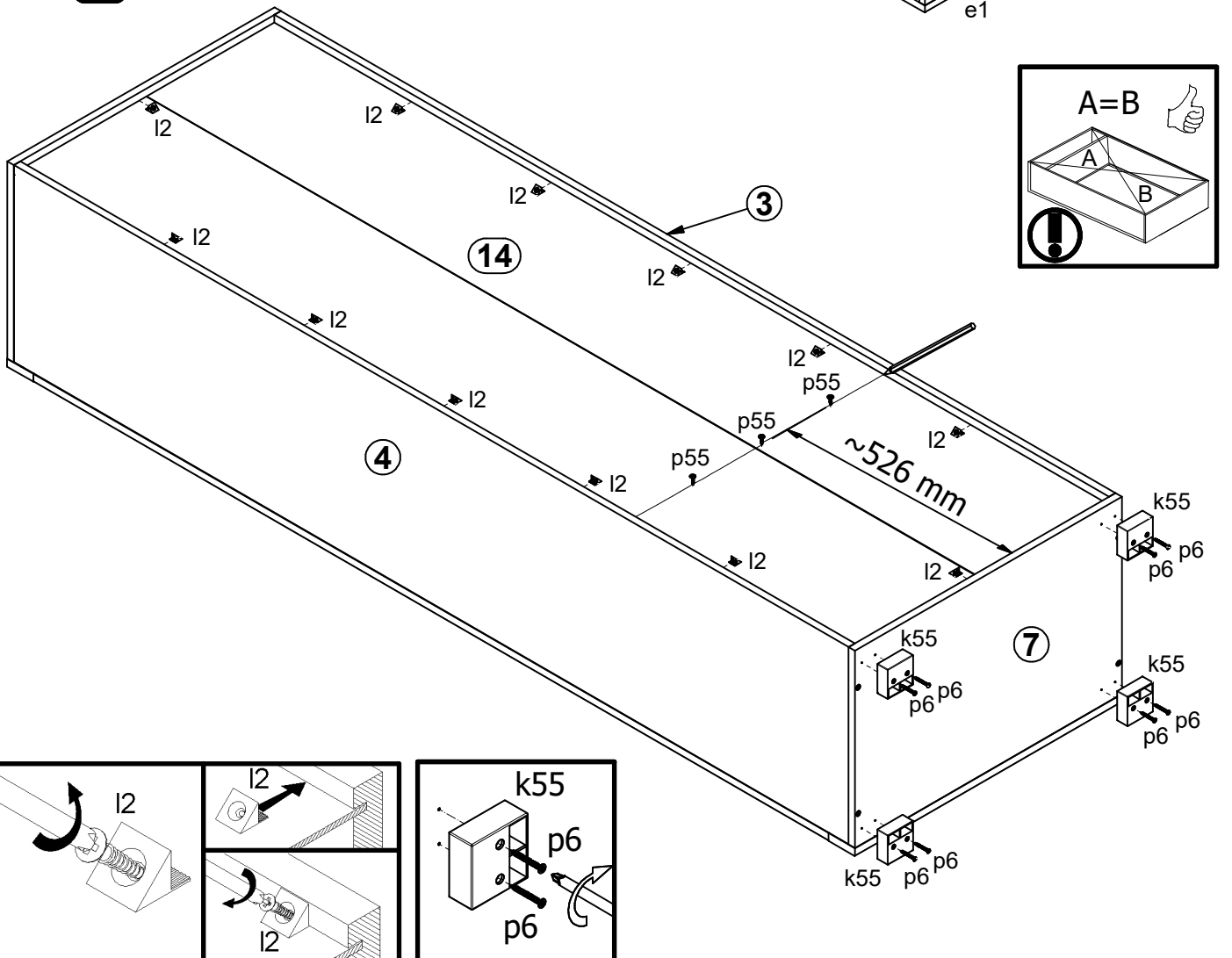
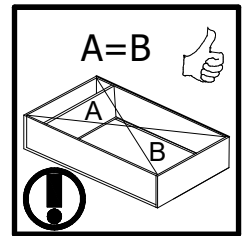


5 

I

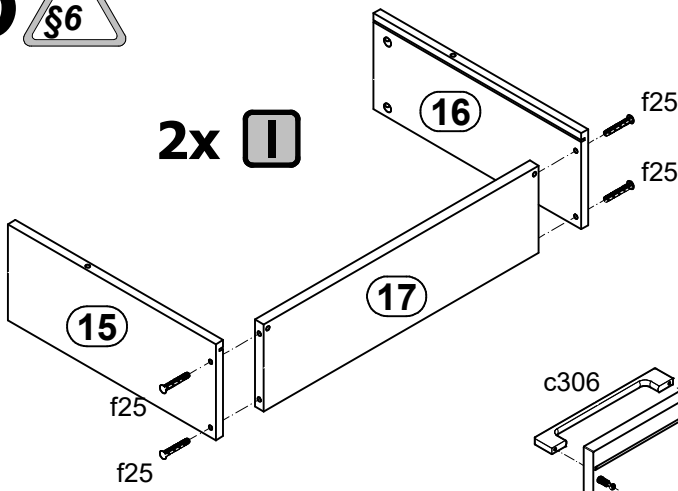
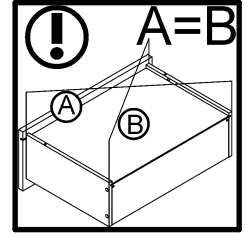
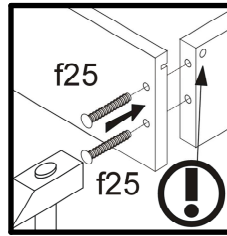


II

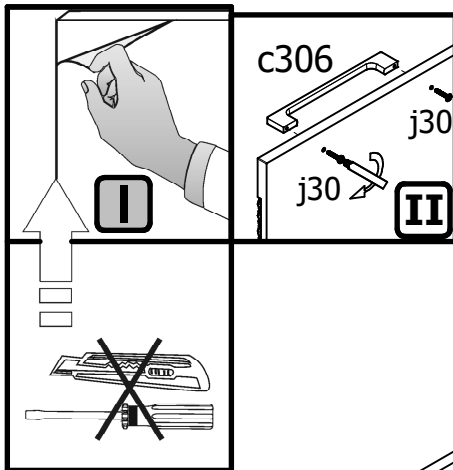
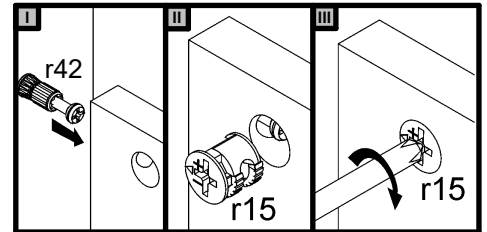
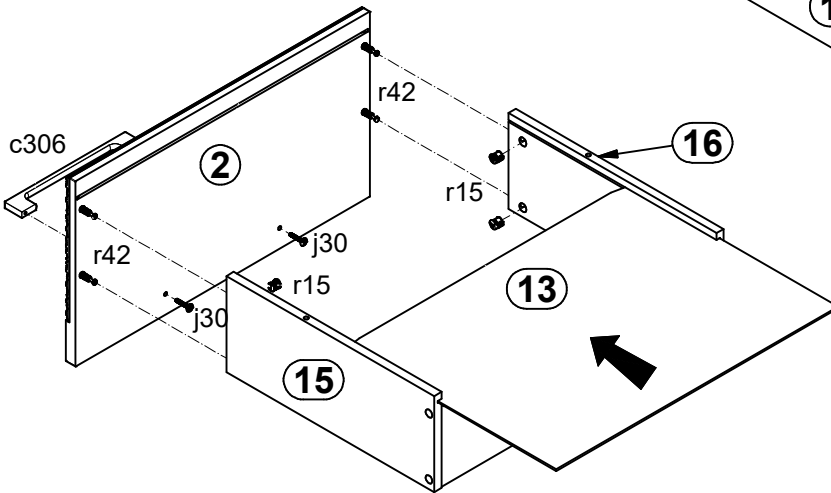
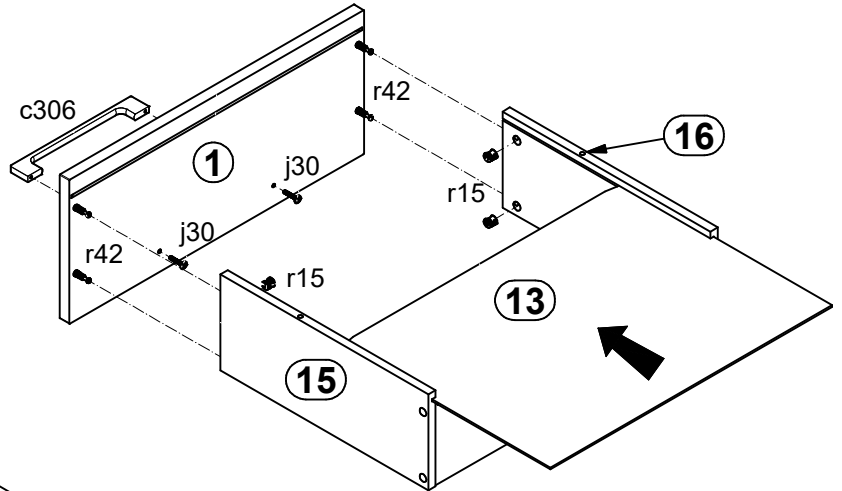


6 §6

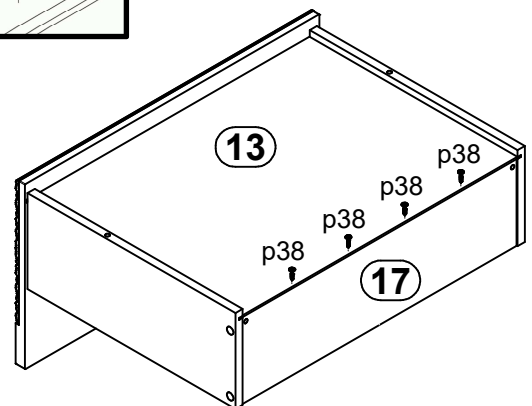
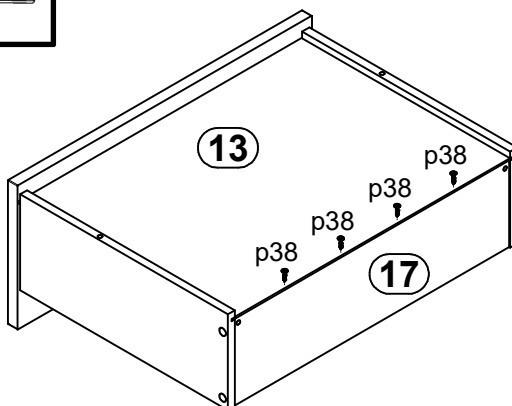
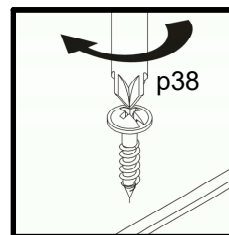
2x I



II



III



7 §6

